



US00D608632S

(12) **United States Design Patent**
Lynch

(10) **Patent No.:** **US D608,632 S**
(45) **Date of Patent:** **** Jan. 26, 2010**

(54) **HINGE MOUNTED DOOR STOP**

(76) Inventor: **Stephen Lynch**, 91 Nursery Rd., New Canaan, CT (US) 06840

(**) Term: **14 Years**

(21) Appl. No.: **29/306,720**

(22) Filed: **Apr. 15, 2008**

(51) **LOC (9) Cl.** **08-05**

(52) **U.S. Cl.** **D8/402**

(58) **Field of Classification Search** D8/400-499;
16/86 B, 85, 137, 342, 375
See application file for complete search history.

(56) **References Cited**

U.S. PATENT DOCUMENTS

3,135,012	A *	6/1964	Wessel	16/375
3,174,179	A *	3/1965	Benson	16/375
3,325,854	A *	6/1967	Steigerwald	16/375
4,527,303	A *	7/1985	Civitelli	16/86 B
4,858,273	A *	8/1989	Civitelli	16/86 A

D571,651 S * 6/2008 Lee D8/402

* cited by examiner

Primary Examiner—Cathron C Brooks

Assistant Examiner—Barbara Fox

(74) *Attorney, Agent, or Firm*—St. Onge Steward Johnston & Reens LLC

(57) **CLAIM**

The ornamental design for a hinge mounted door stop, as shown and described.

DESCRIPTION

FIG. 1 is a rear, left side and bottom perspective view of a hinge mounted door stop in accordance with the new design;

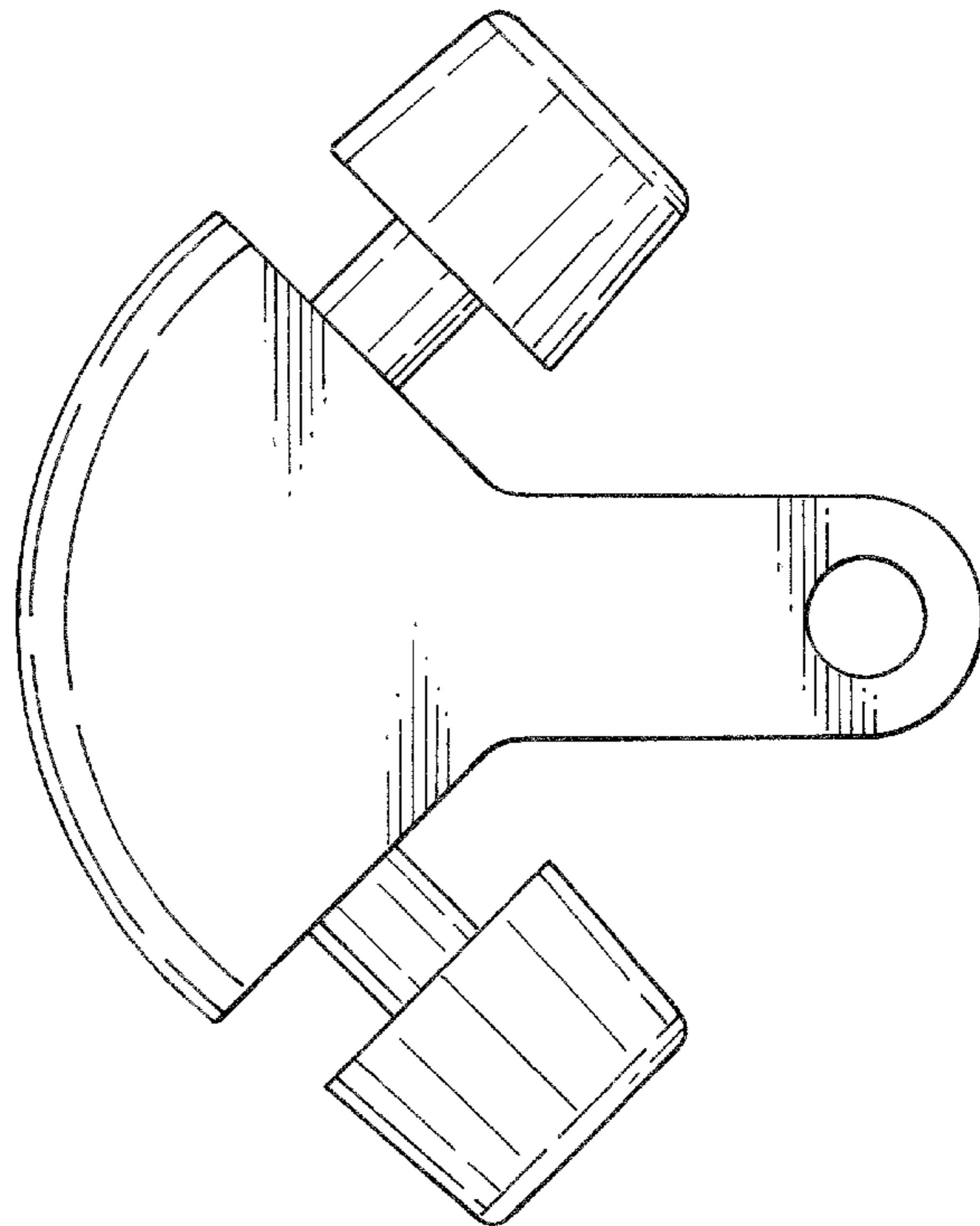
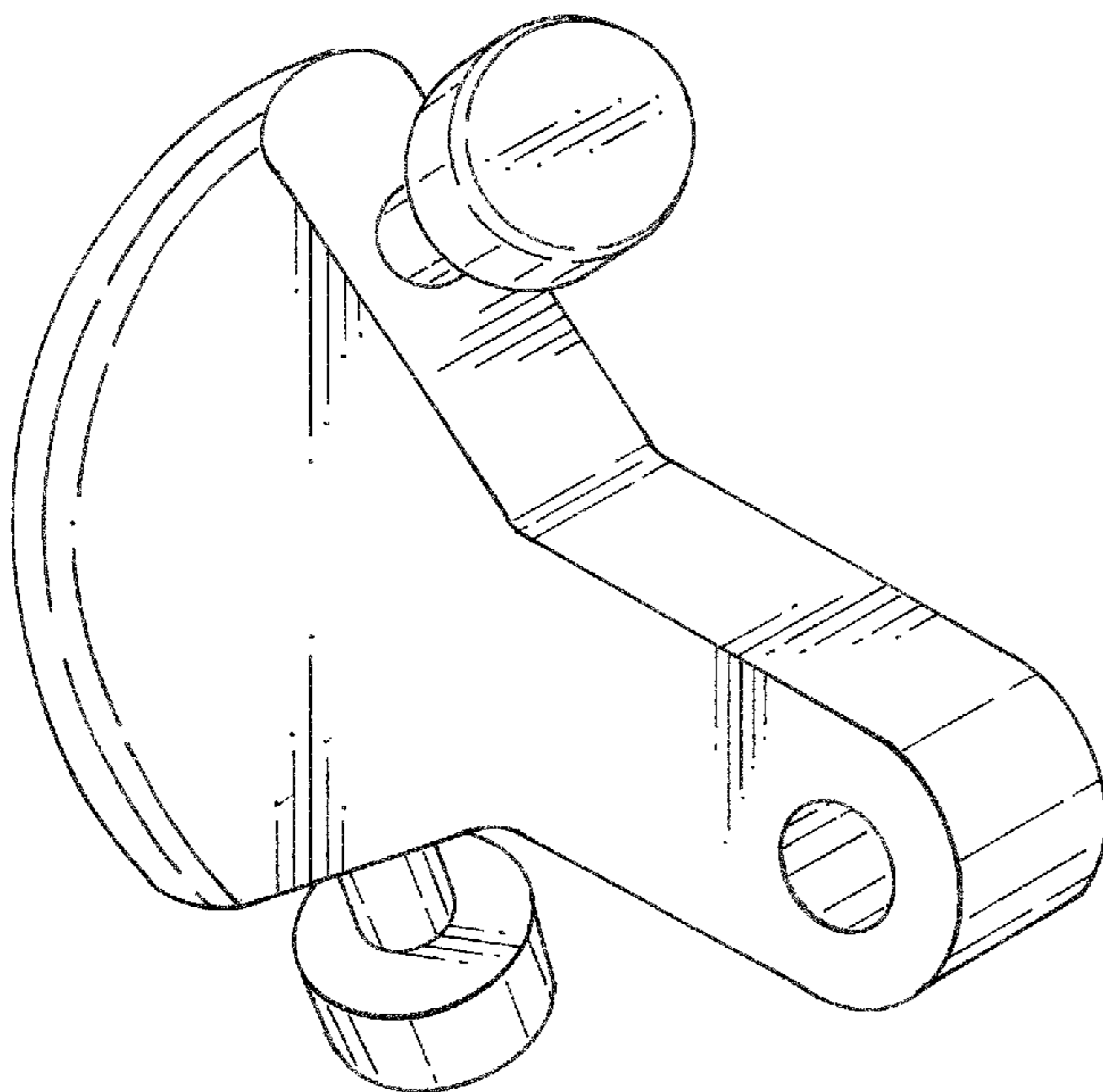
FIG. 2 is a top plan view thereof;

FIG. 3 is a left side elevation view thereof, the right side elevation view being a symmetric mirror image thereof;

FIG. 4 is a rear elevation view thereof; and,

FIG. 5 is a front elevation view thereof.

1 Claim, 4 Drawing Sheets



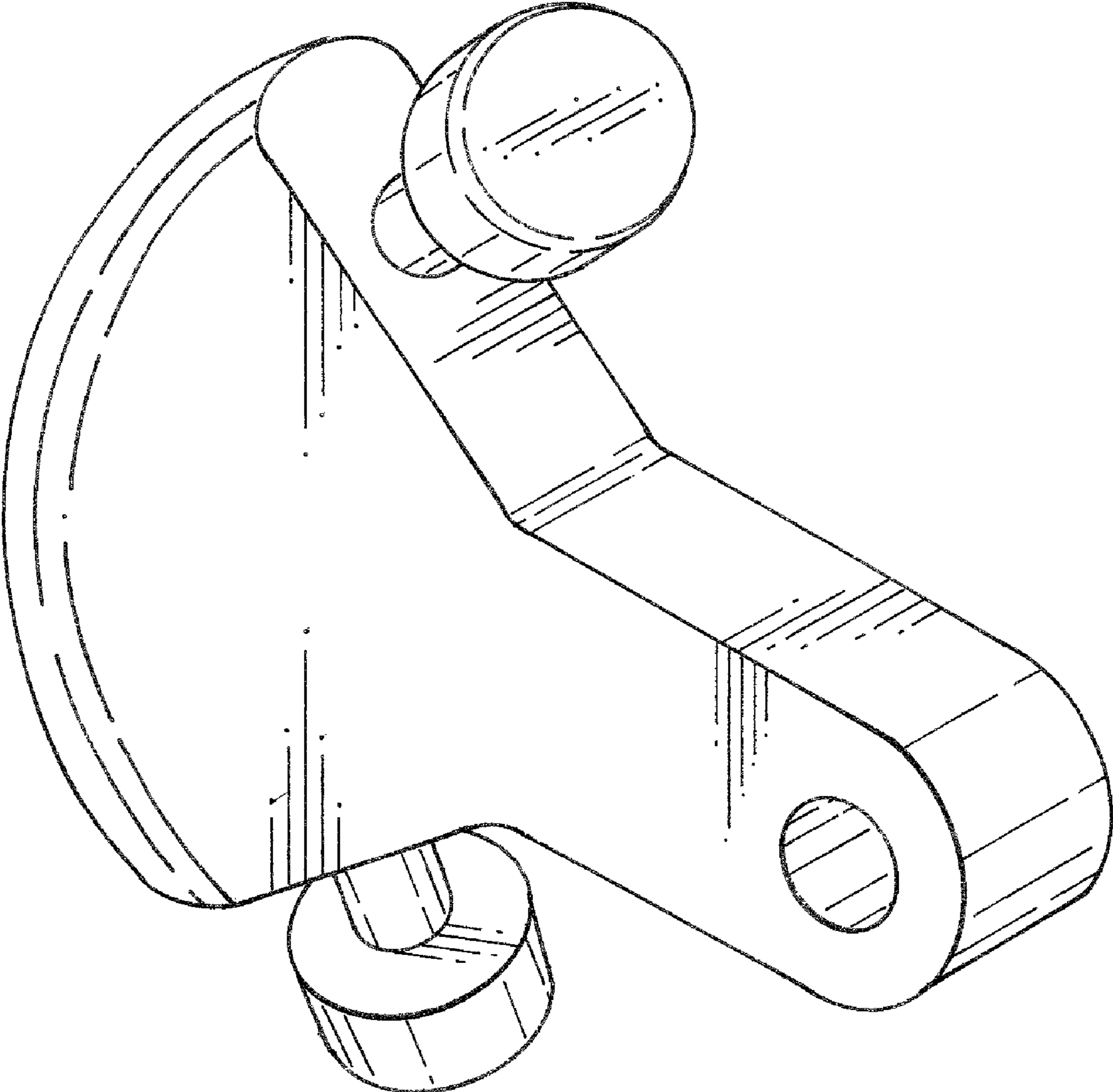


FIG. 1

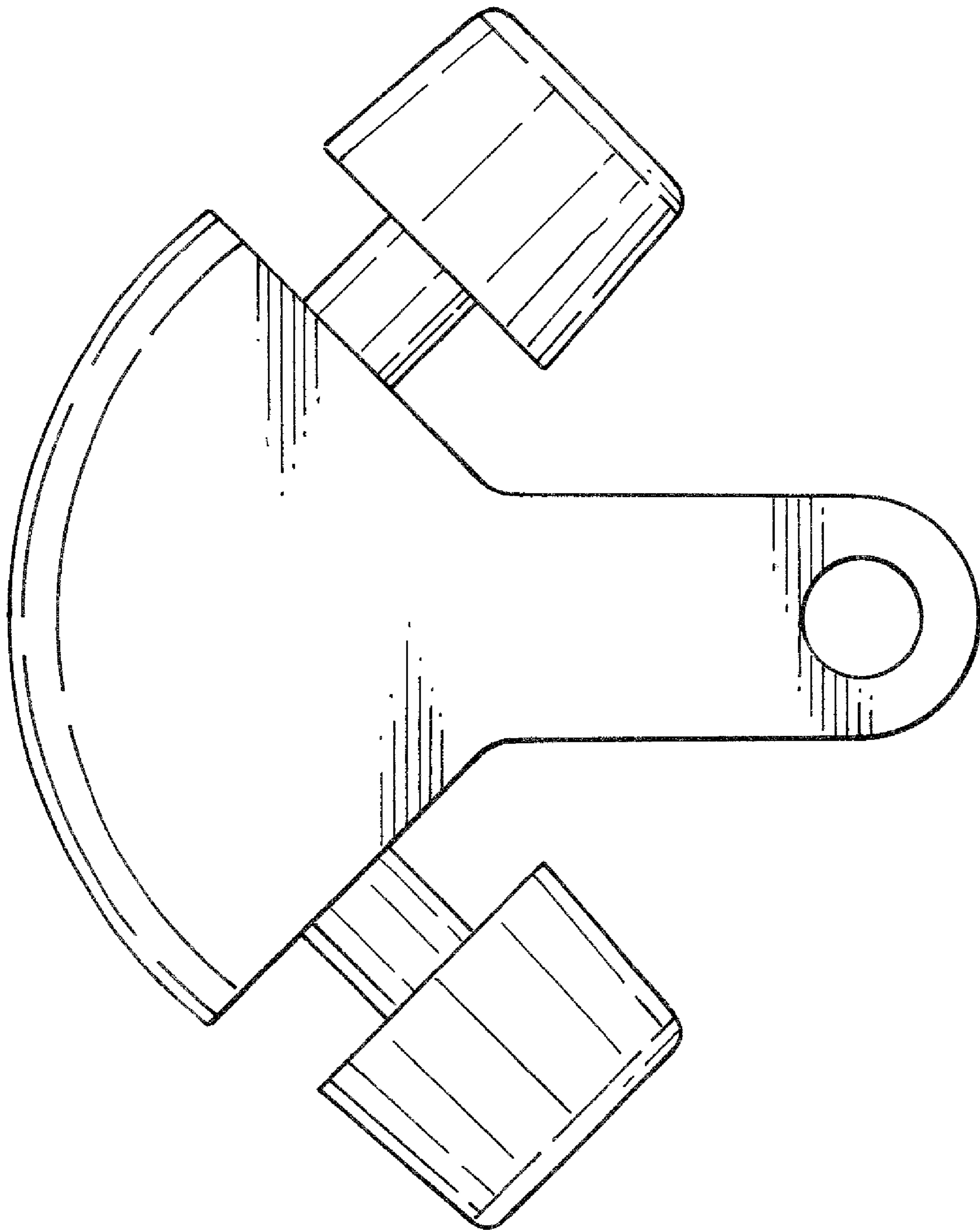


FIG. 2

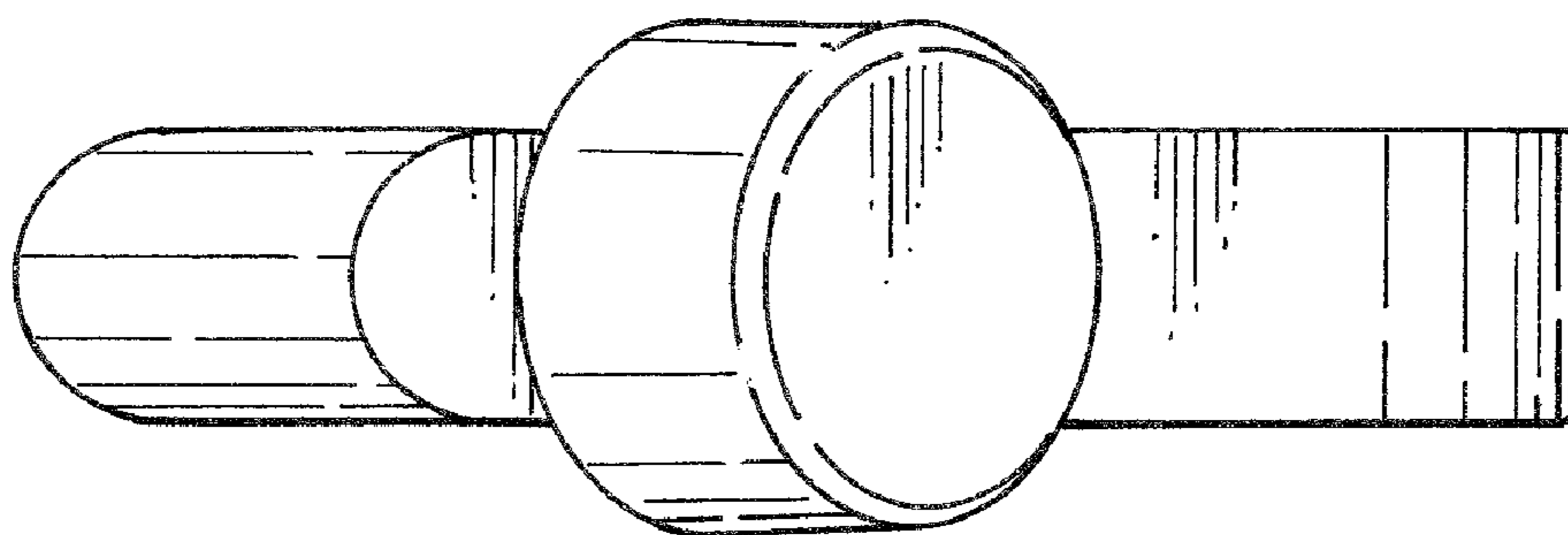


FIG. 3

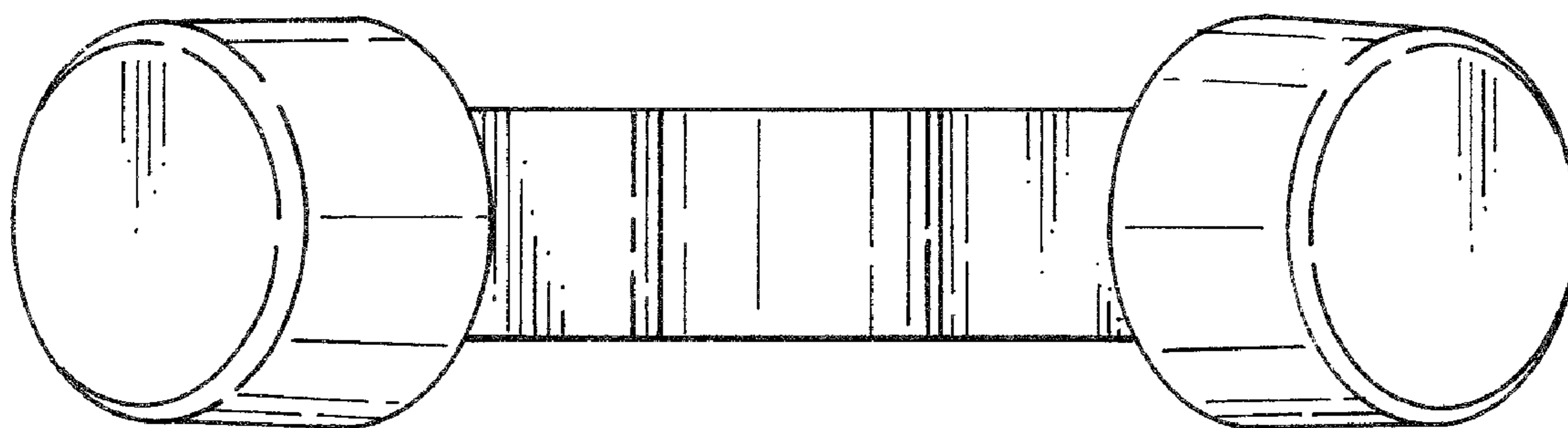


FIG. 4

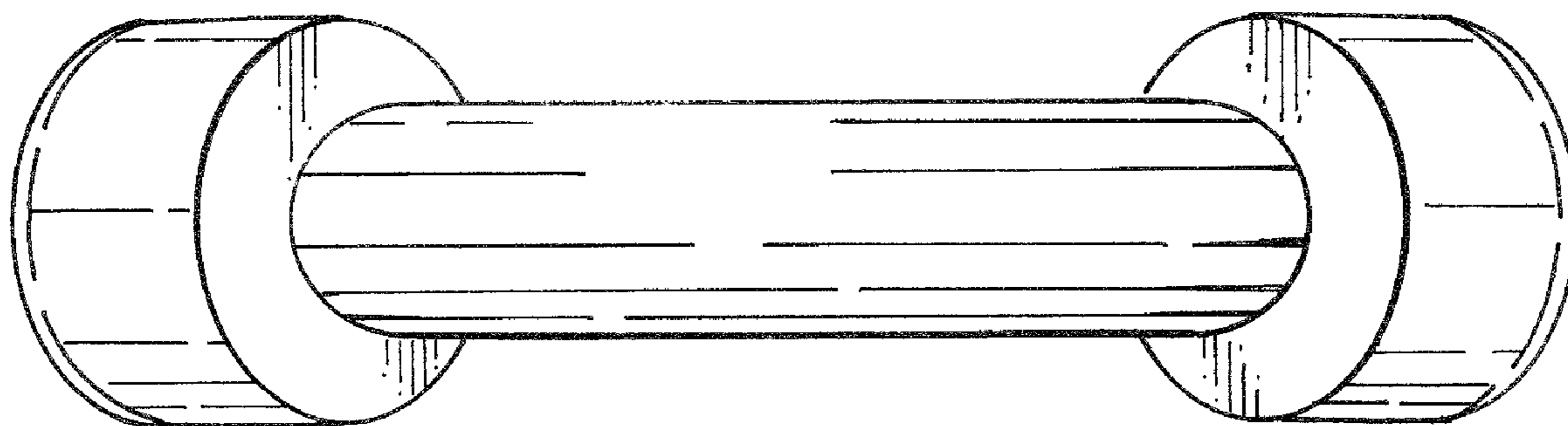


FIG. 5