



US00D608630S

(12) **United States Design Patent**  
**Goodman et al.**

(10) **Patent No.:** **US D608,630 S**  
(45) **Date of Patent:** **\*\* Jan. 26, 2010**

(54) **MAGNET CLIP**

(75) Inventors: **Sheldon H. Goodman**, Solon, OH (US);  
**Omer I. Sazir**, Cleveland, OH (US);  
**Patrick Triato**, Tremont, OH (US)

(73) Assignee: **Spectrum Diversified Designs, Inc.**,  
Streetsboro, OH (US)

(\*\*) Term: **14 Years**

(21) Appl. No.: **29/341,398**

(22) Filed: **Aug. 5, 2009**

(51) **LOC (9) Cl.** ..... **08-08**

(52) **U.S. Cl.** ..... **D8/395**

(58) **Field of Classification Search** ..... D8/394–396,  
D8/72; D19/56, 65, 8; 24/67.3; D32/60–64;  
D3/271.3; D11/53, 83, 240; D7/657, 684,  
D7/685

See application file for complete search history.

(56) **References Cited**

**U.S. PATENT DOCUMENTS**

D19,504 S \* 12/1889 Cox et al. .... D7/685  
D140,240 S \* 2/1945 Martinelli ..... D7/685  
D246,356 S \* 11/1977 Fox ..... D11/44  
5,027,439 A \* 7/1991 Spector ..... 2/20  
D321,008 S \* 10/1991 Cheng ..... D19/34.5  
5,322,718 A \* 6/1994 Low ..... 428/15

D387,381 S \* 12/1997 Littmann ..... D19/8  
D404,071 S \* 1/1999 Shyu ..... D19/65  
D409,881 S \* 5/1999 Lai ..... D7/657  
D411,085 S \* 6/1999 Biber ..... D7/685  
D497,637 S \* 10/2004 Cetera ..... D19/36  
D550,551 S \* 9/2007 Howard ..... D8/395

\* cited by examiner

*Primary Examiner*—T. Chase Nelson

*Assistant Examiner*—John Windmuller

(74) *Attorney, Agent, or Firm*—Pearne & Gordon LLP

(57) **CLAIM**

The ornamental design for a magnet clip, as shown and described.

**DESCRIPTION**

FIG. 1 is a perspective view of a magnet clip showing our new design;

FIG. 2 is a top plan view thereof;

FIG. 3 is a front elevational view thereof;

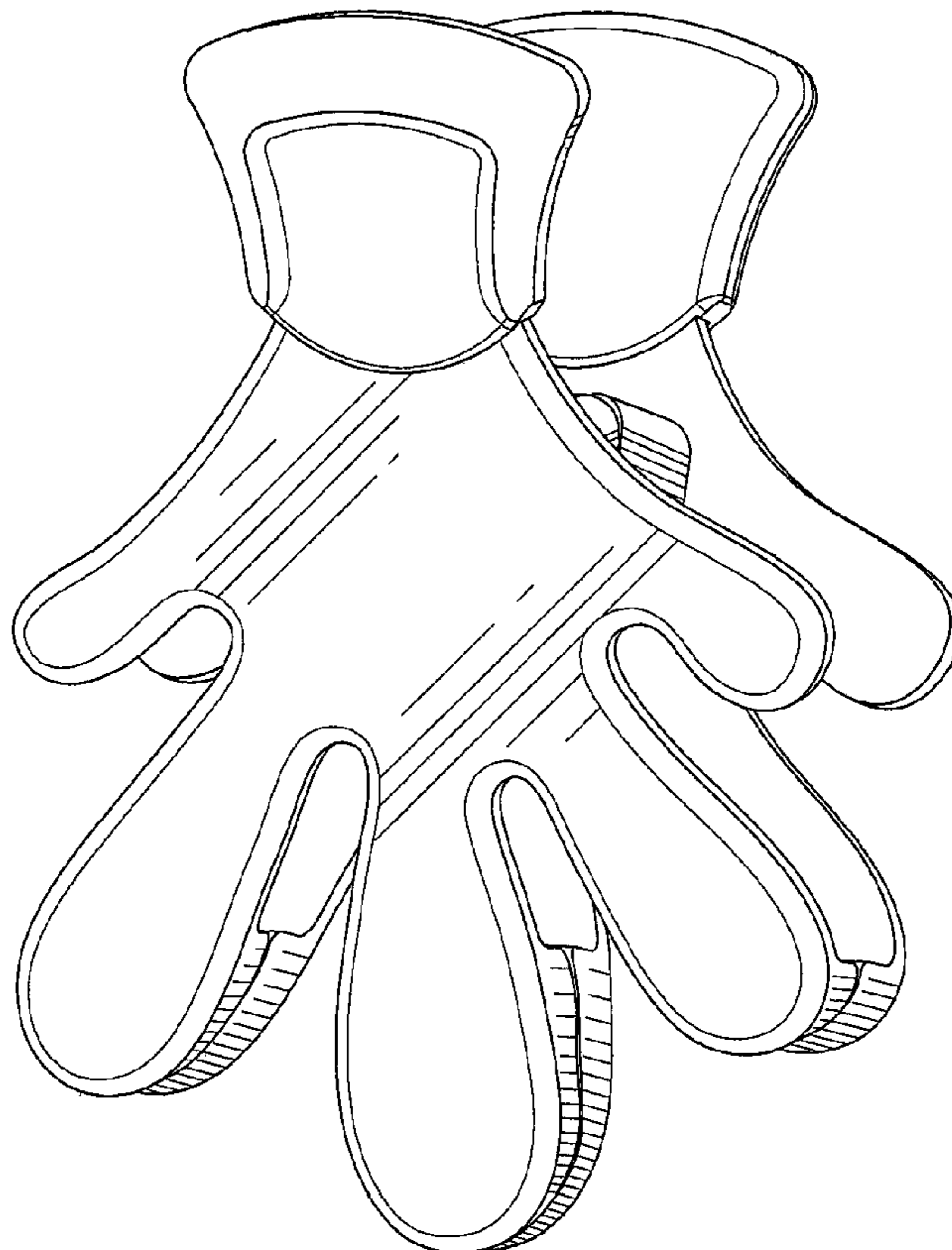
FIG. 4 is a side elevational view thereof;

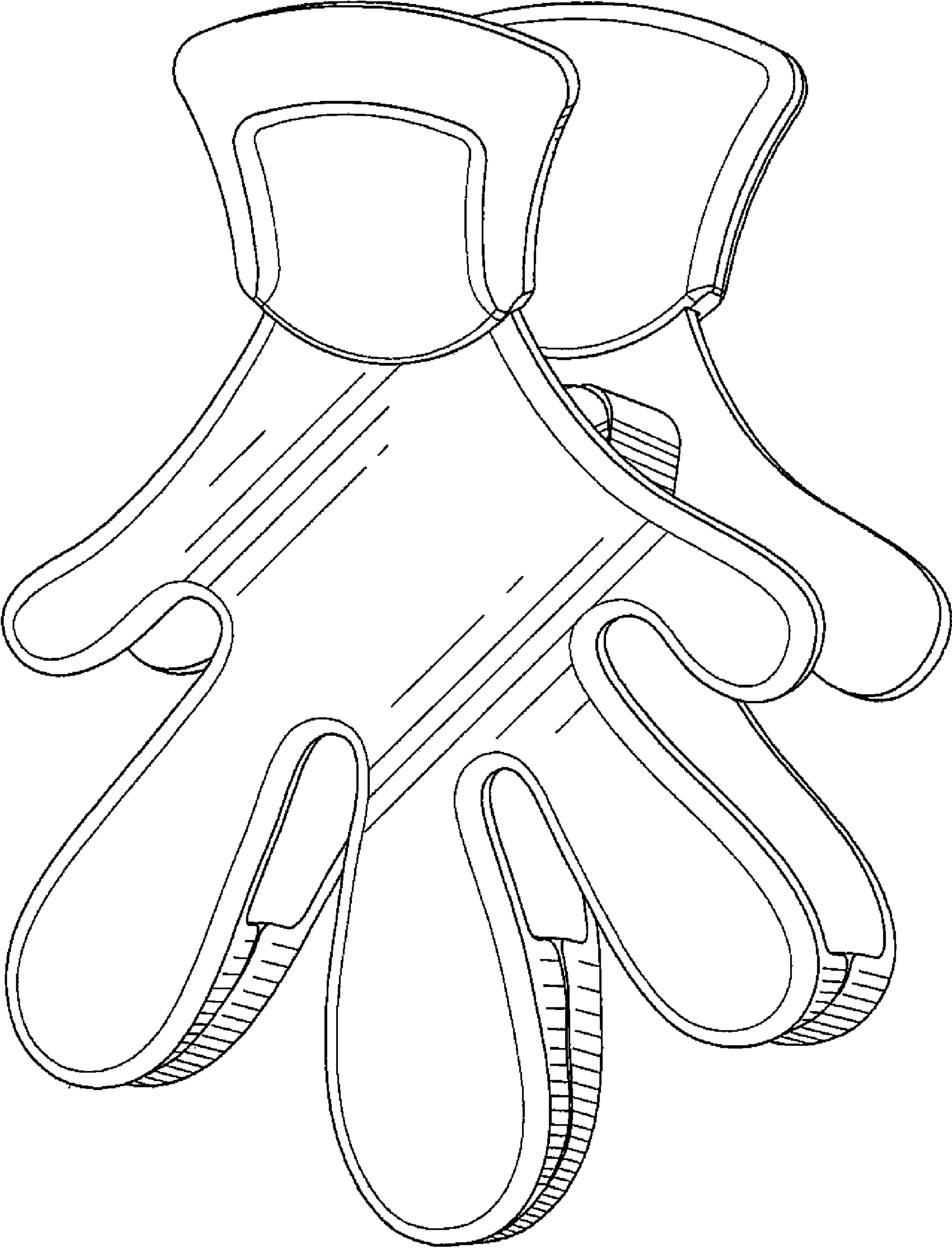
FIG. 5 is a rear elevational view thereof; and,

FIG. 6 is a bottom plan view thereof.

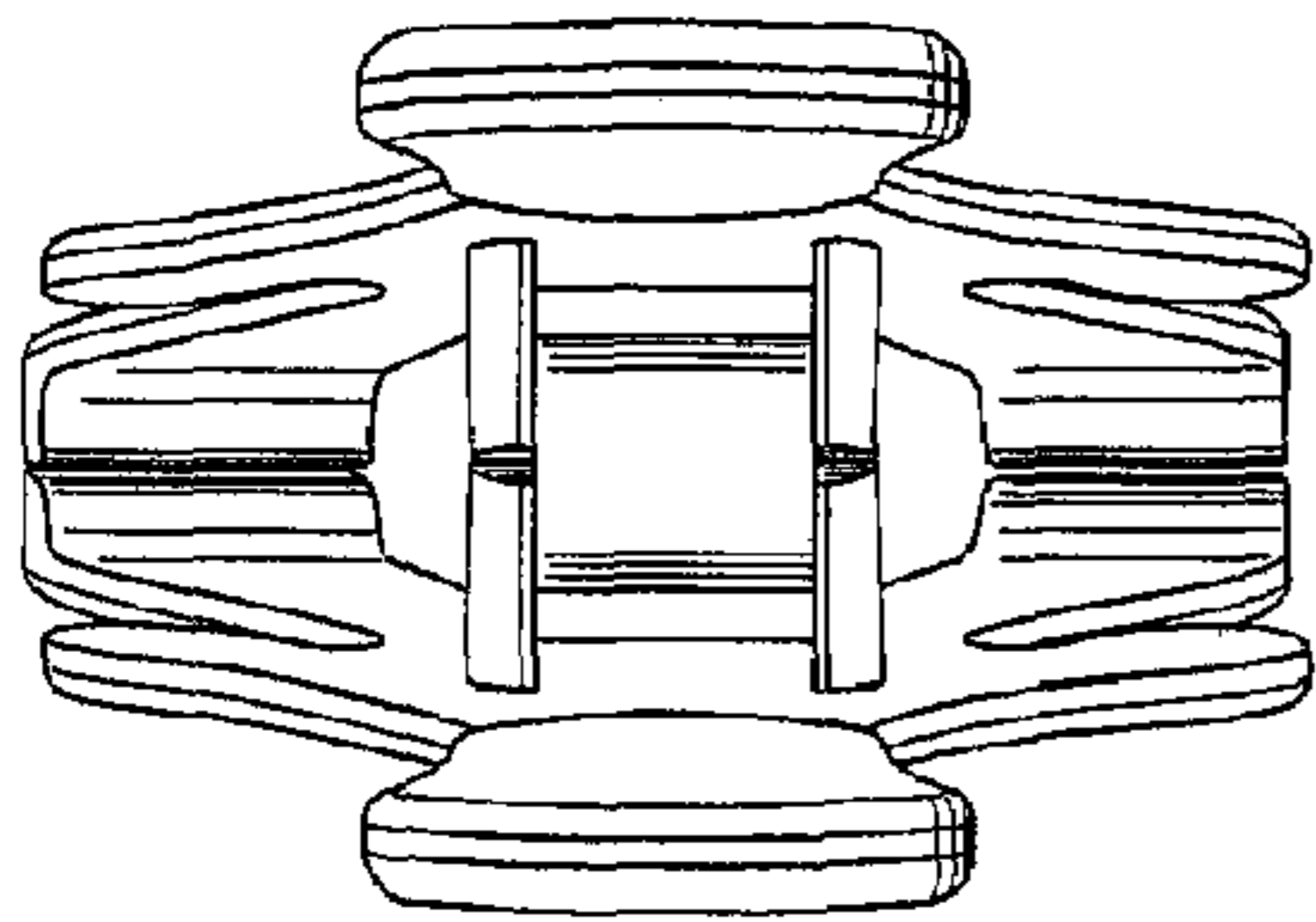
The dotted line showing in the drawings, illustrates environmental matter and forms no part of the claimed design.

**1 Claim, 2 Drawing Sheets**

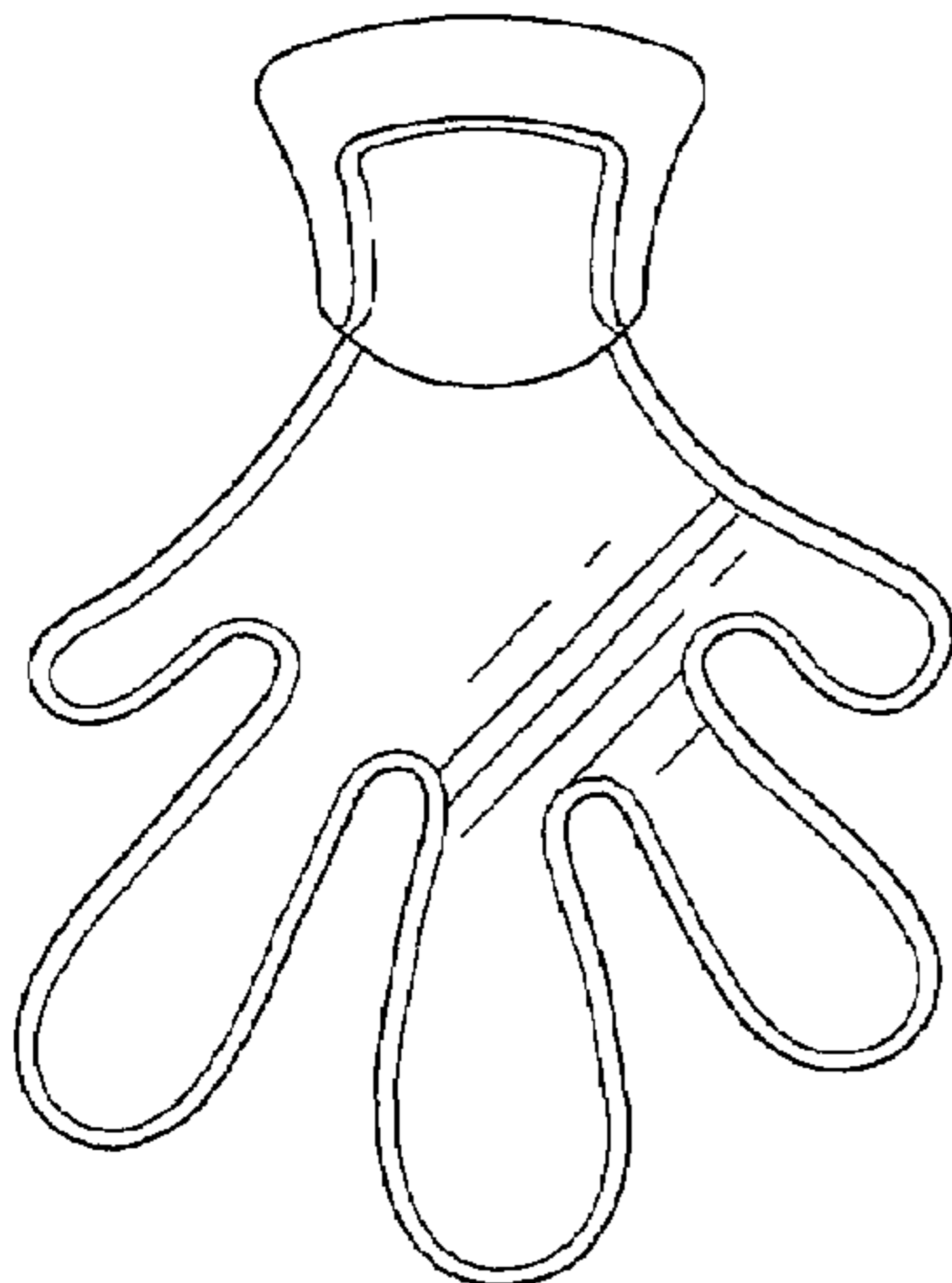




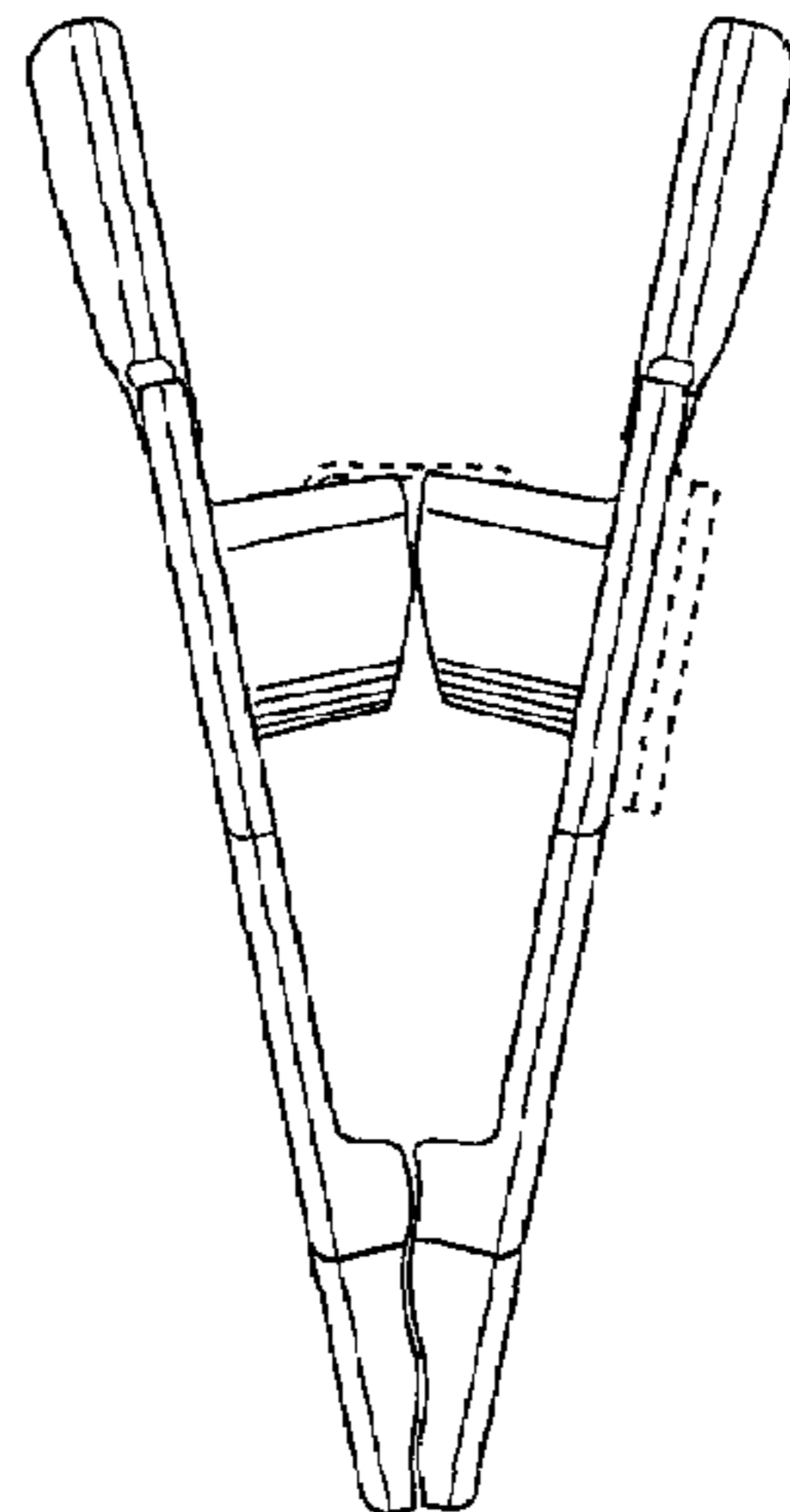
**FIG. 1**



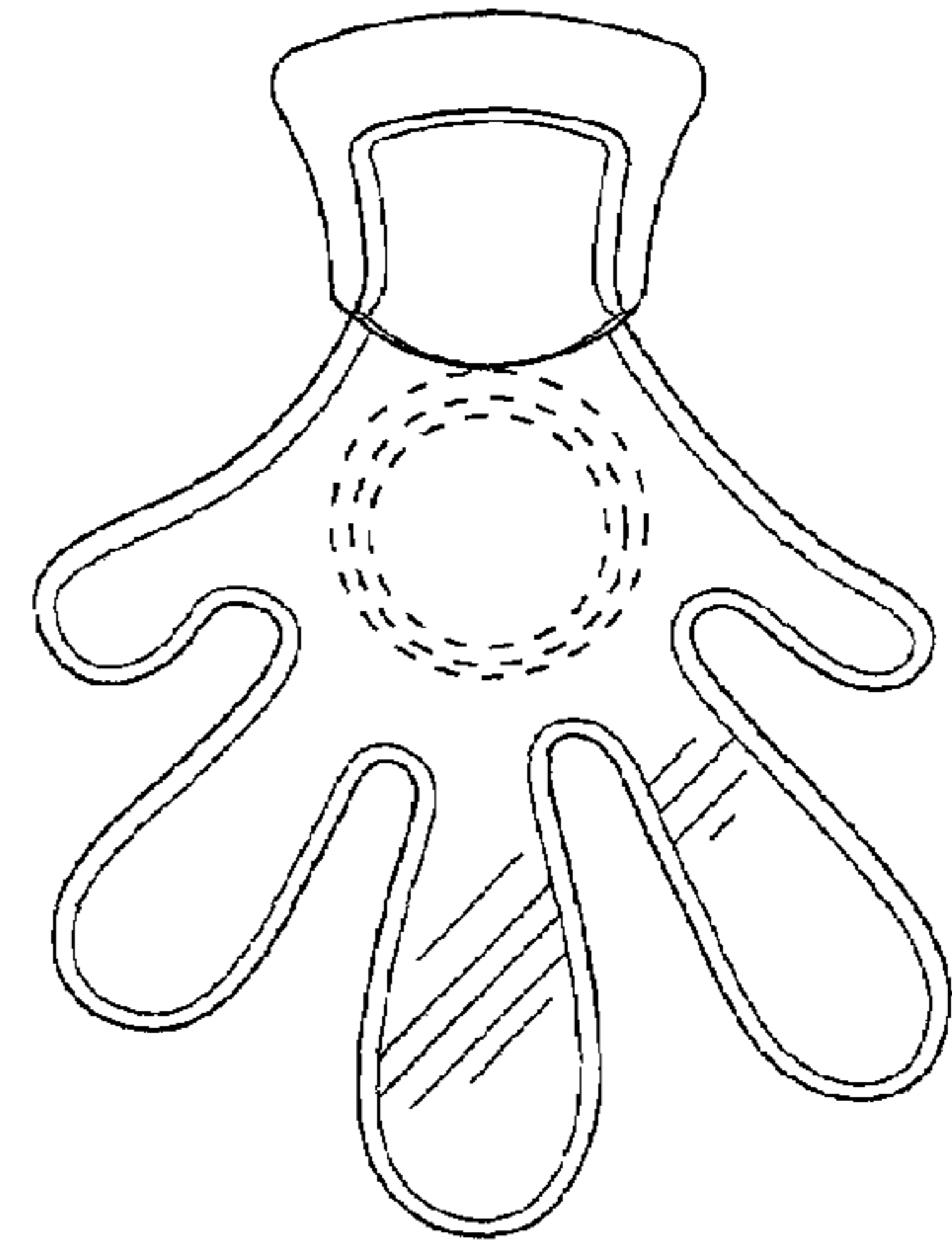
**FIG. 2**



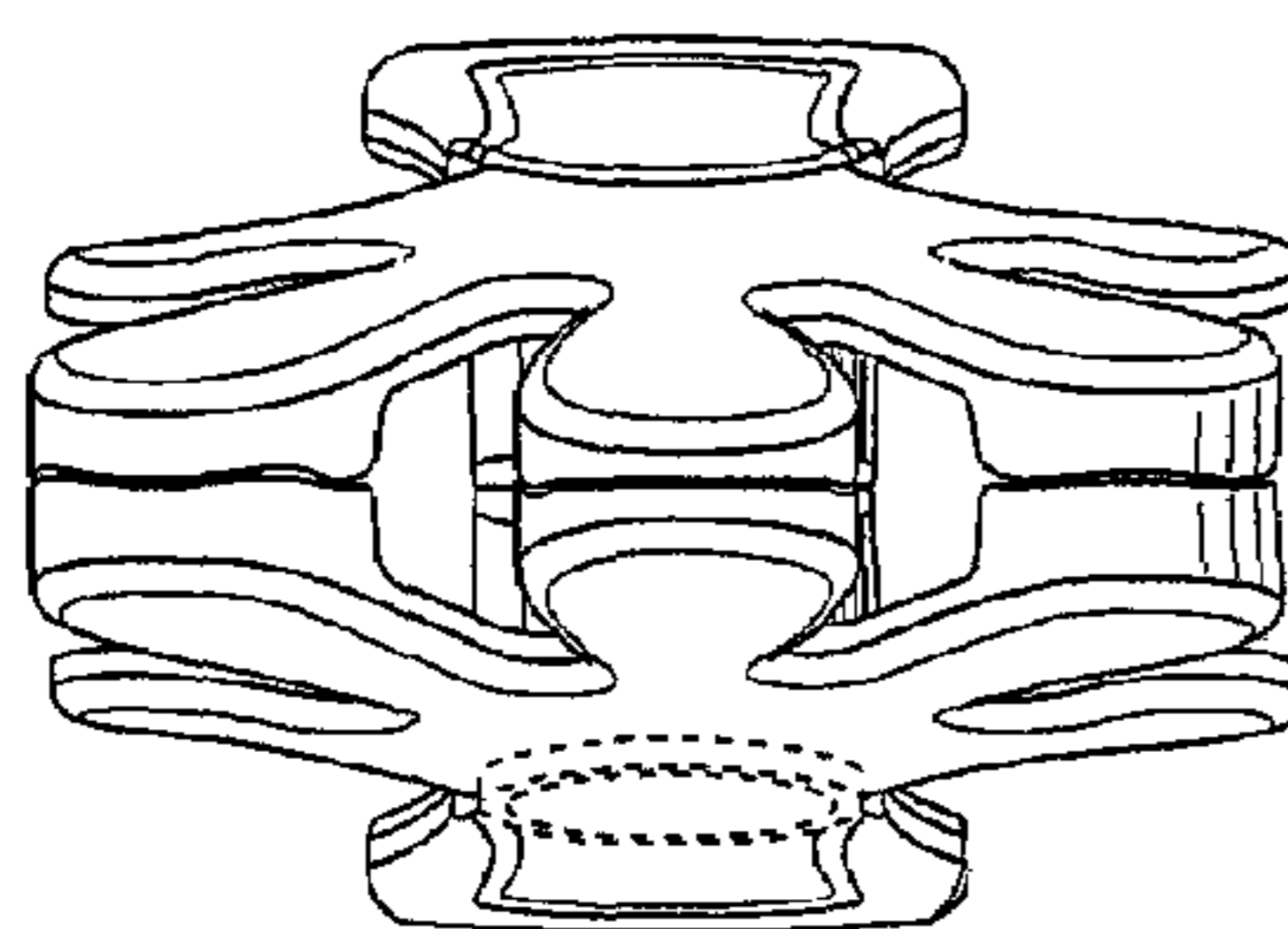
**FIG. 3**



**FIG. 4**



**FIG. 5**



**FIG. 6**