



US00D608629S

(12) **United States Design Patent**  
**Daugherty et al.**

(10) **Patent No.:** **US D608,629 S**  
(45) **Date of Patent:** **\*\* Jan. 26, 2010**

(54) **DOUBLE SIDED BLANKET CLIP**  
(75) Inventors: **Jonathan Daugherty**, Clayton, OH (US); **Richard White**, Dayton, OH (US); **Jamie Kummerfeld**, Denver, CO (US)

(73) Assignee: **Triboro Quilt Manufacturing Corporation**, White Plains, NY (US)

(\*\*) Term: **14 Years**

(21) Appl. No.: **29/314,467**

(22) Filed: **Apr. 2, 2009**

(51) **LOC (9) Cl.** ..... **08-08**

(52) **U.S. Cl.** ..... **D8/395**

(58) **Field of Classification Search** ..... D8/394-396, D8/72; D19/56, 65; 24/67.3; D32/60-64  
See application file for complete search history.

(56) **References Cited**

U.S. PATENT DOCUMENTS

609,198	A *	8/1898	Graves	.....	24/564
638,507	A *	12/1899	Graves	.....	24/564
2,166,884	A *	7/1939	White	.....	24/562
D154,991	S *	8/1949	Cox	.....	D32/63
2,543,336	A *	2/1951	Ratchford	.....	24/561
D167,163	S *	7/1952	Ratchford	.....	D32/63
5,063,645	A *	11/1991	Crespo	.....	24/501
5,564,166	A	10/1996	Roy		
5,697,594	A	12/1997	Adams et al.		
6,564,432	B1 *	5/2003	Kushner	.....	24/3.3
6,938,304	B2 *	9/2005	Chen	.....	24/3.12
D514,434	S *	2/2006	Mariano et al.	.....	D8/395
D521,369	S *	5/2006	Sollberger et al.	.....	D8/395
D525,117	S *	7/2006	Mariano et al.	.....	D8/395

7,243,402	B2	7/2007	Andersen et al.		
7,331,554	B2 *	2/2008	Cheng	.....	248/316.7
D598,278	S *	8/2009	Herman	.....	D8/395
2002/0010983	A1 *	1/2002	Lee	.....	24/3.12
2004/0045133	A1	3/2004	Buettell		
2004/0216562	A1 *	11/2004	Ireland	.....	81/53.11
2006/0162136	A1 *	7/2006	Silva et al.	.....	24/545

\* cited by examiner

*Primary Examiner*—T. Chase Nelson  
*Assistant Examiner*—John Windmuller

(74) *Attorney, Agent, or Firm*—Darby & Darby P.C.

(57) **CLAIM**

The ornamental design for a doubled sided blanket clip, as shown and described.

**DESCRIPTION**

FIG. 1 is a perspective view of our new design of a double sided blanket clip;

FIG. 2 is a top elevational view thereof;

FIG. 3 is a bottom elevational view thereof;

FIG. 4 is a left side elevational view thereof;

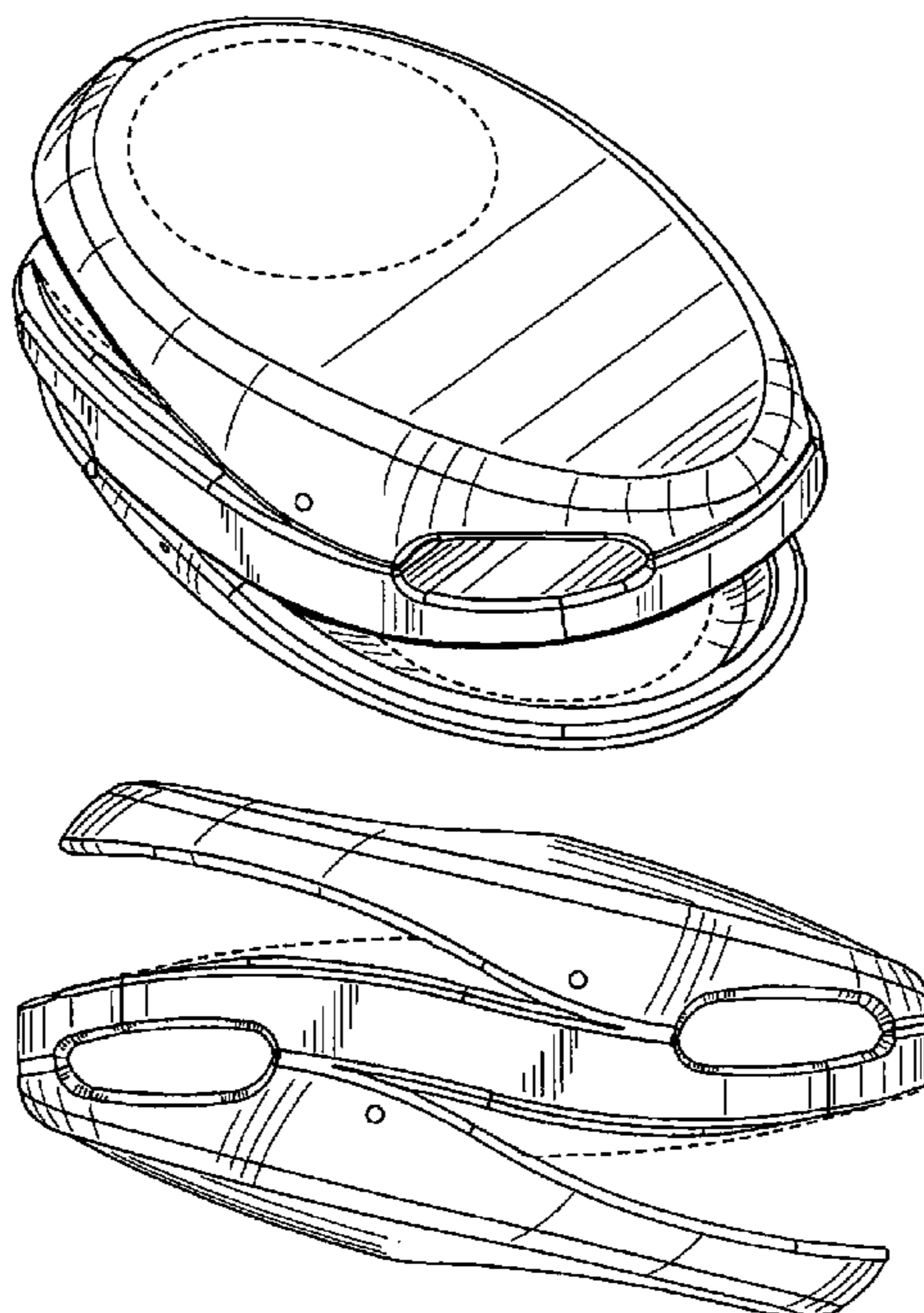
FIG. 5 is a right side elevational view thereof;

FIG. 6 is a front elevational view thereof; and,

FIG. 7 is a rear elevational view thereof.

The broken line circle in FIGS. 1, 2, 3, 6, and 7 depict a recessed element for the purpose of showing environment only and form no part of the claimed design. The other broken lines depict interior elements for the purpose of showing environment only and form no part of the claimed design.

**1 Claim, 4 Drawing Sheets**



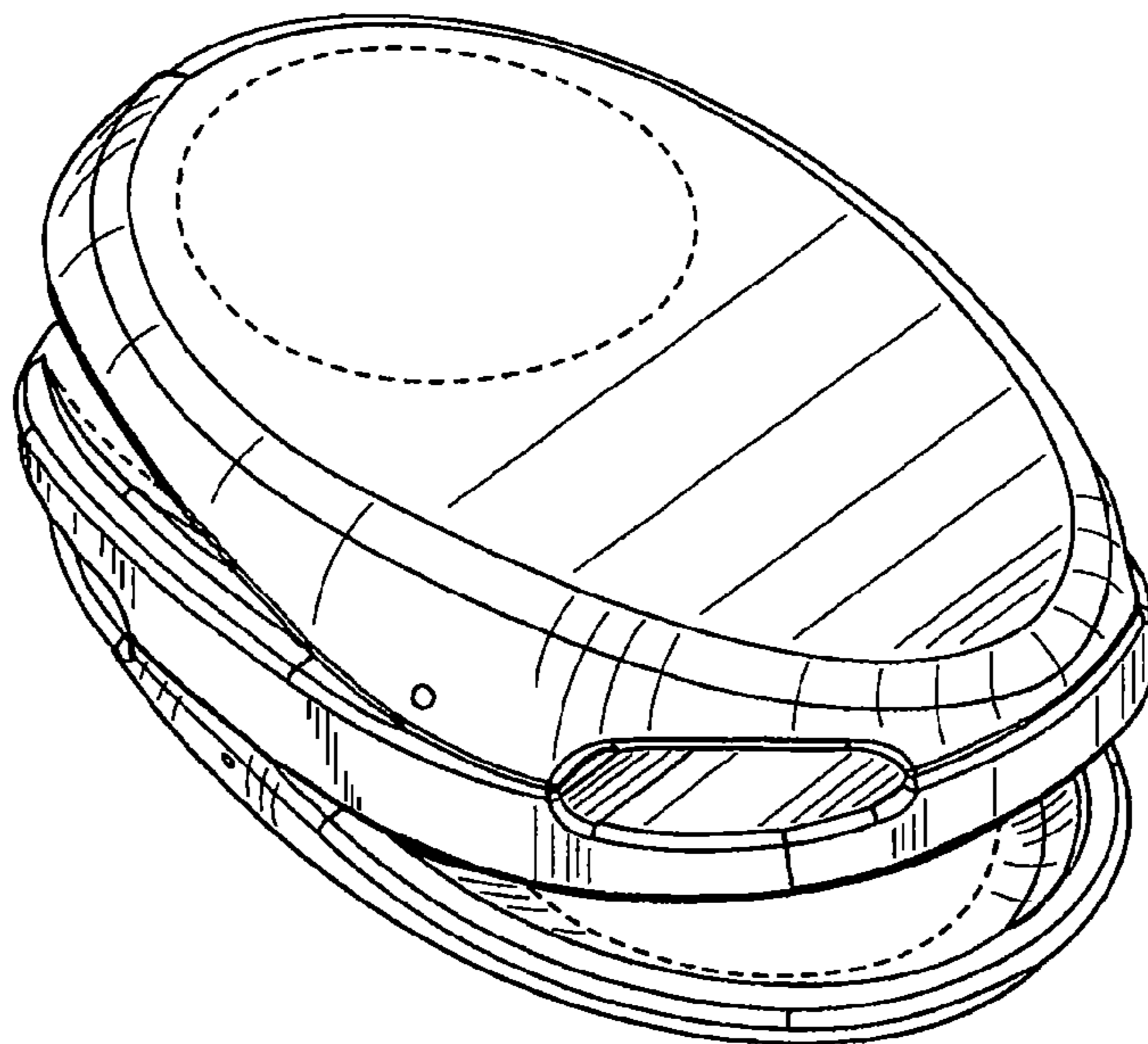


FIG. 1

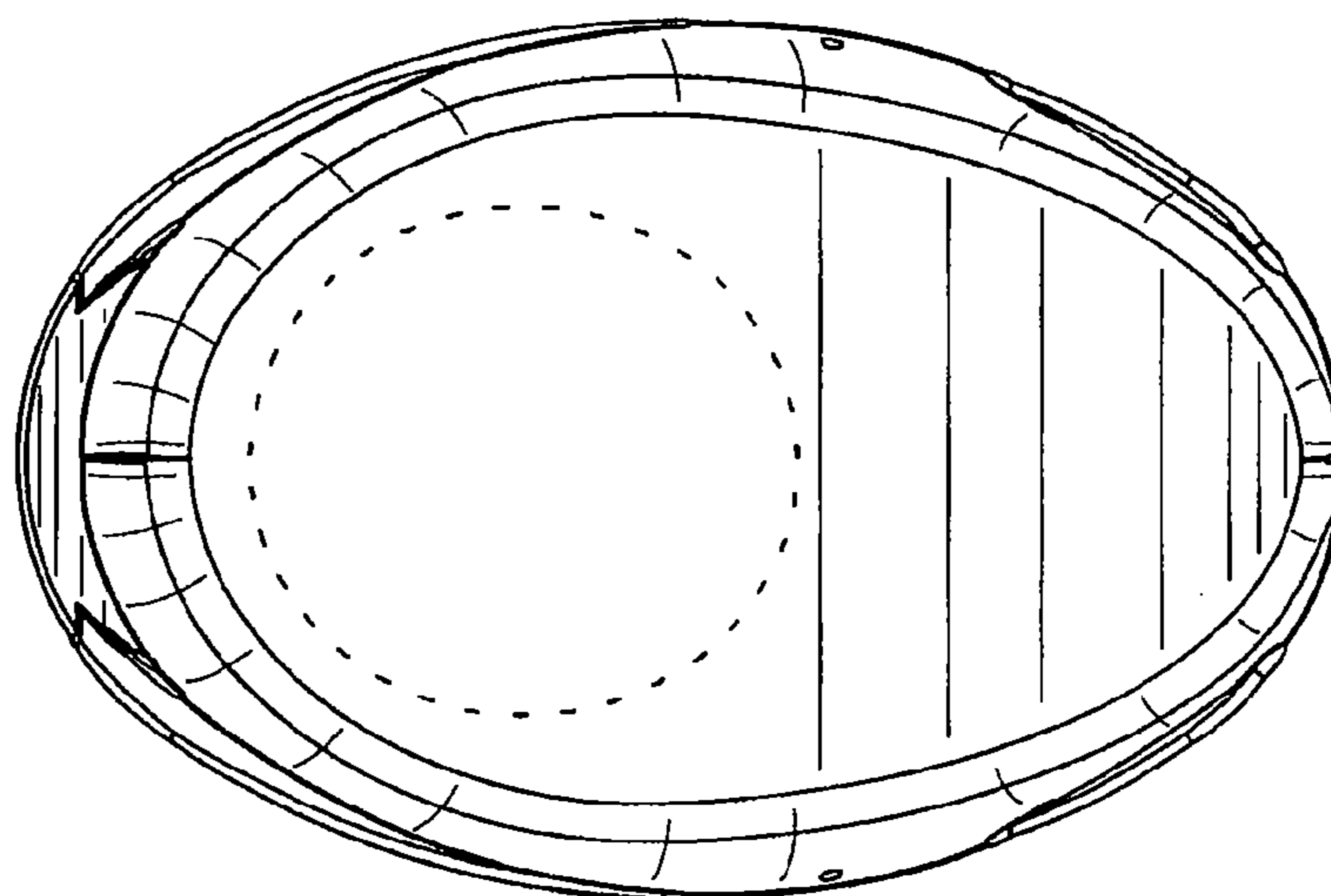
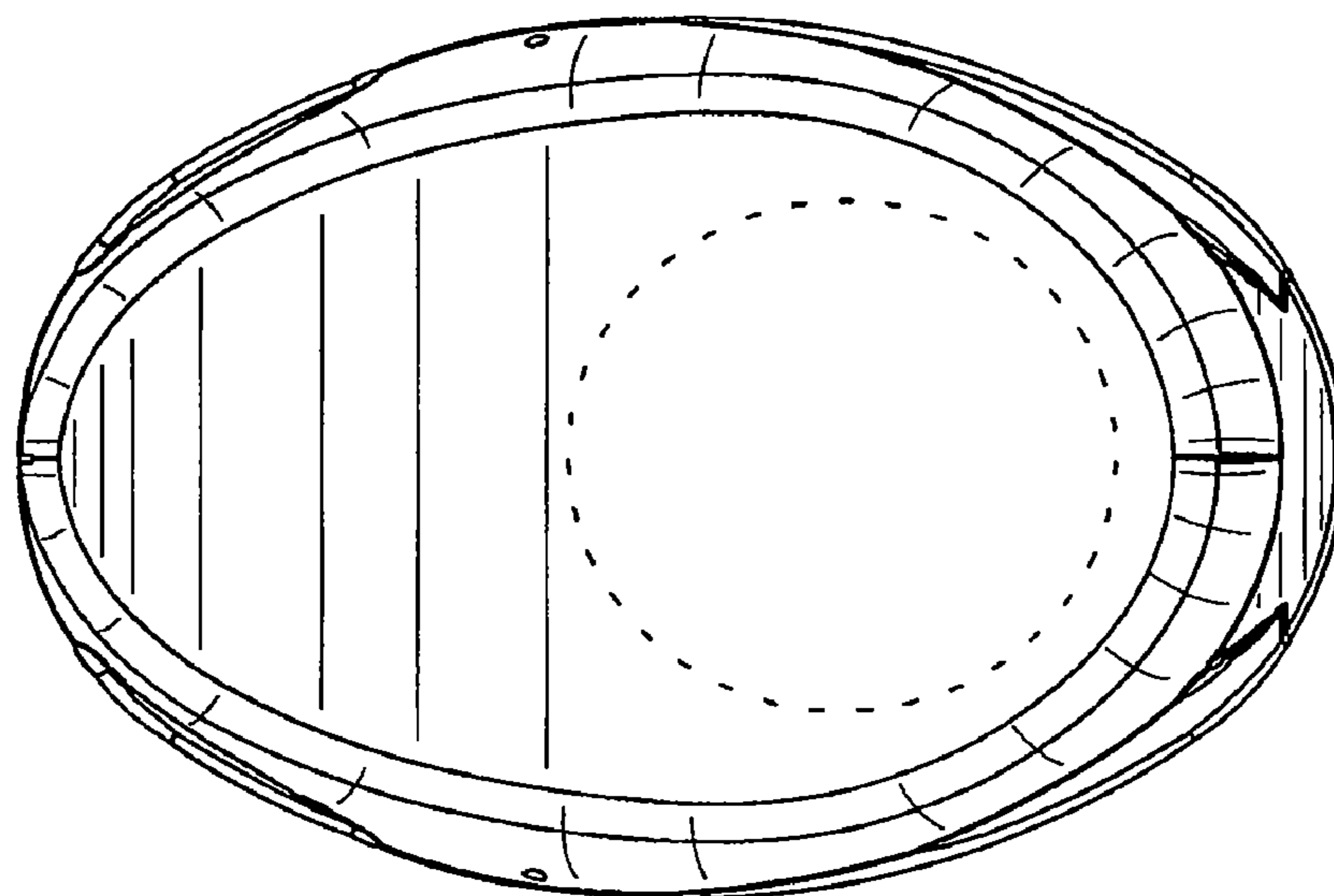
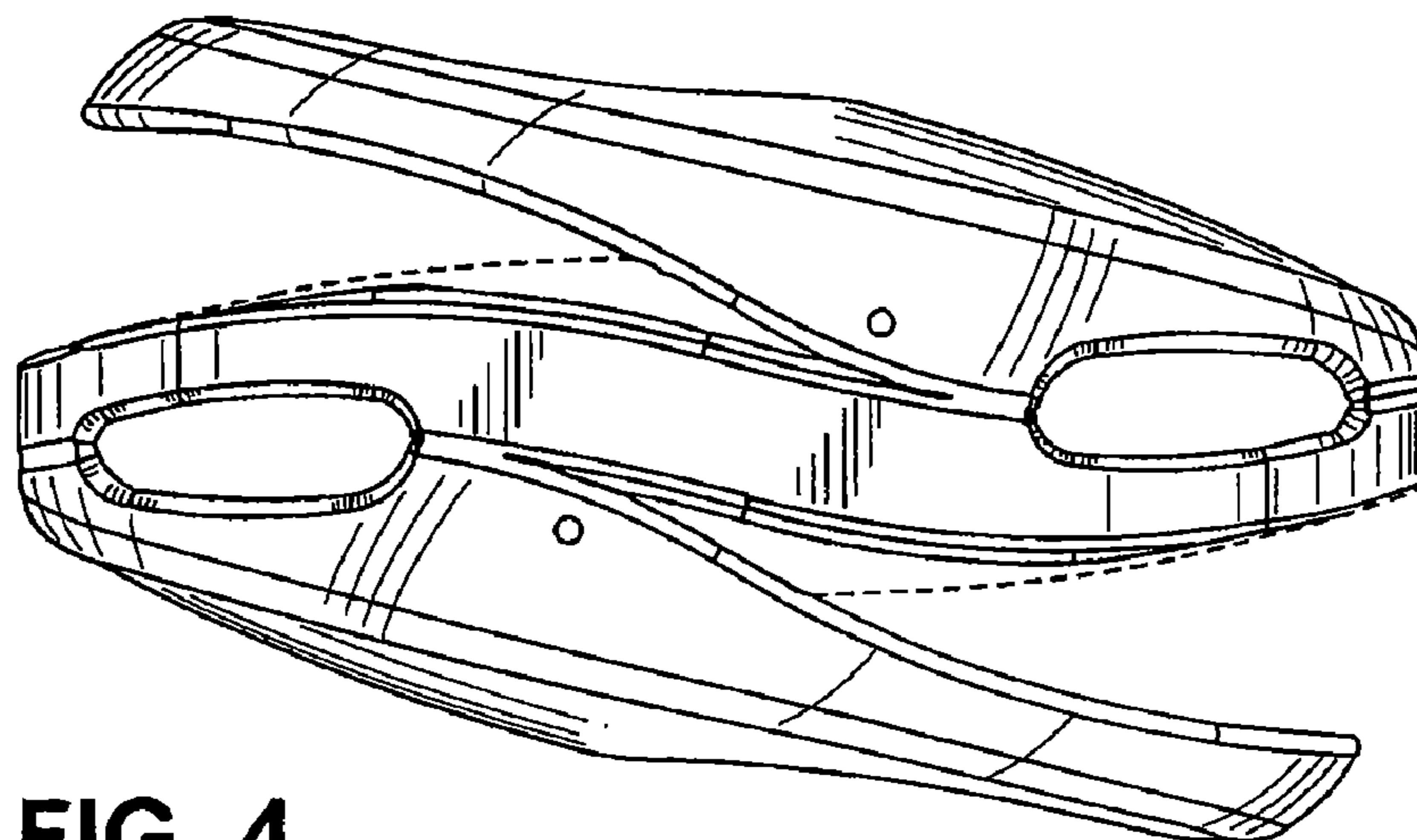


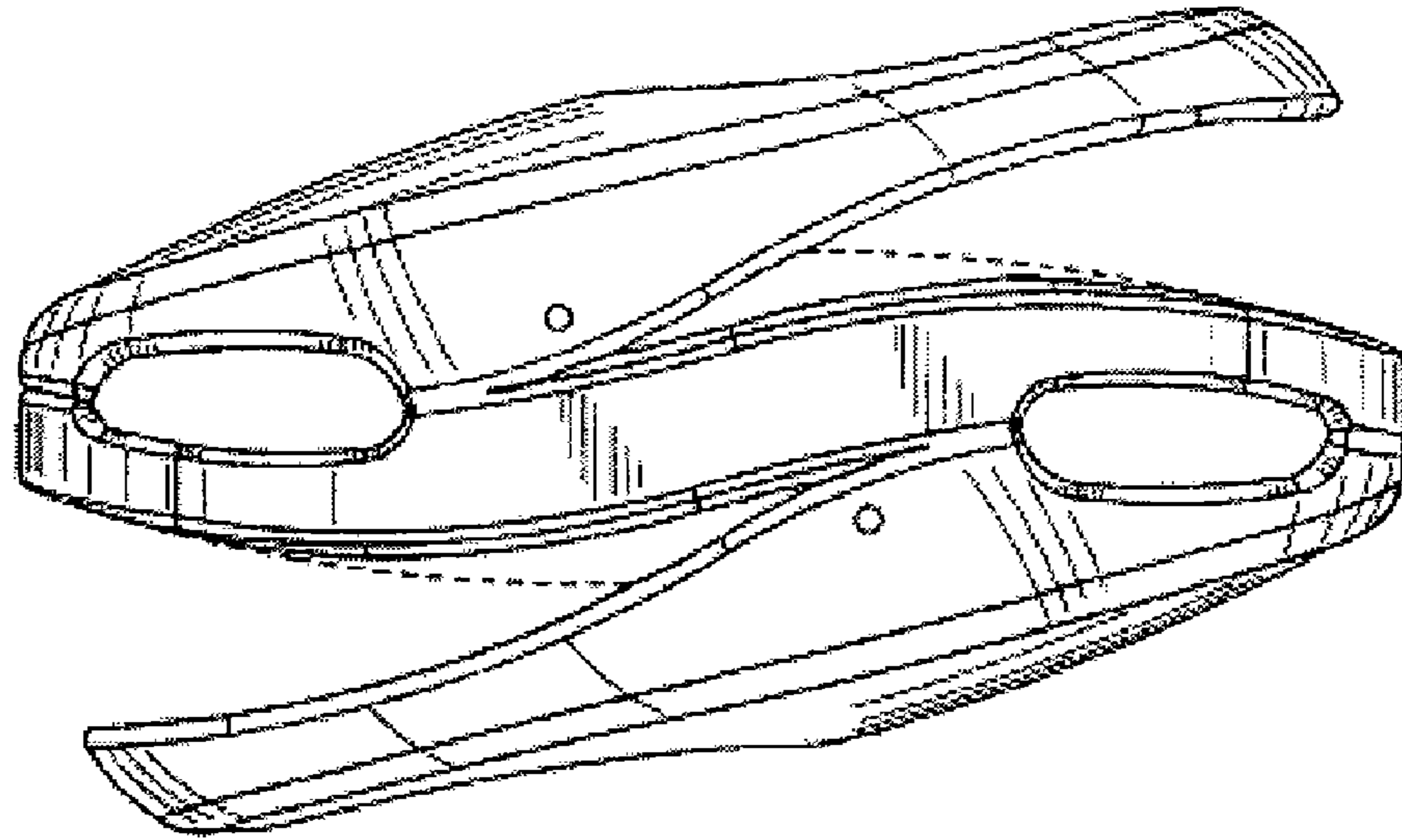
FIG. 2



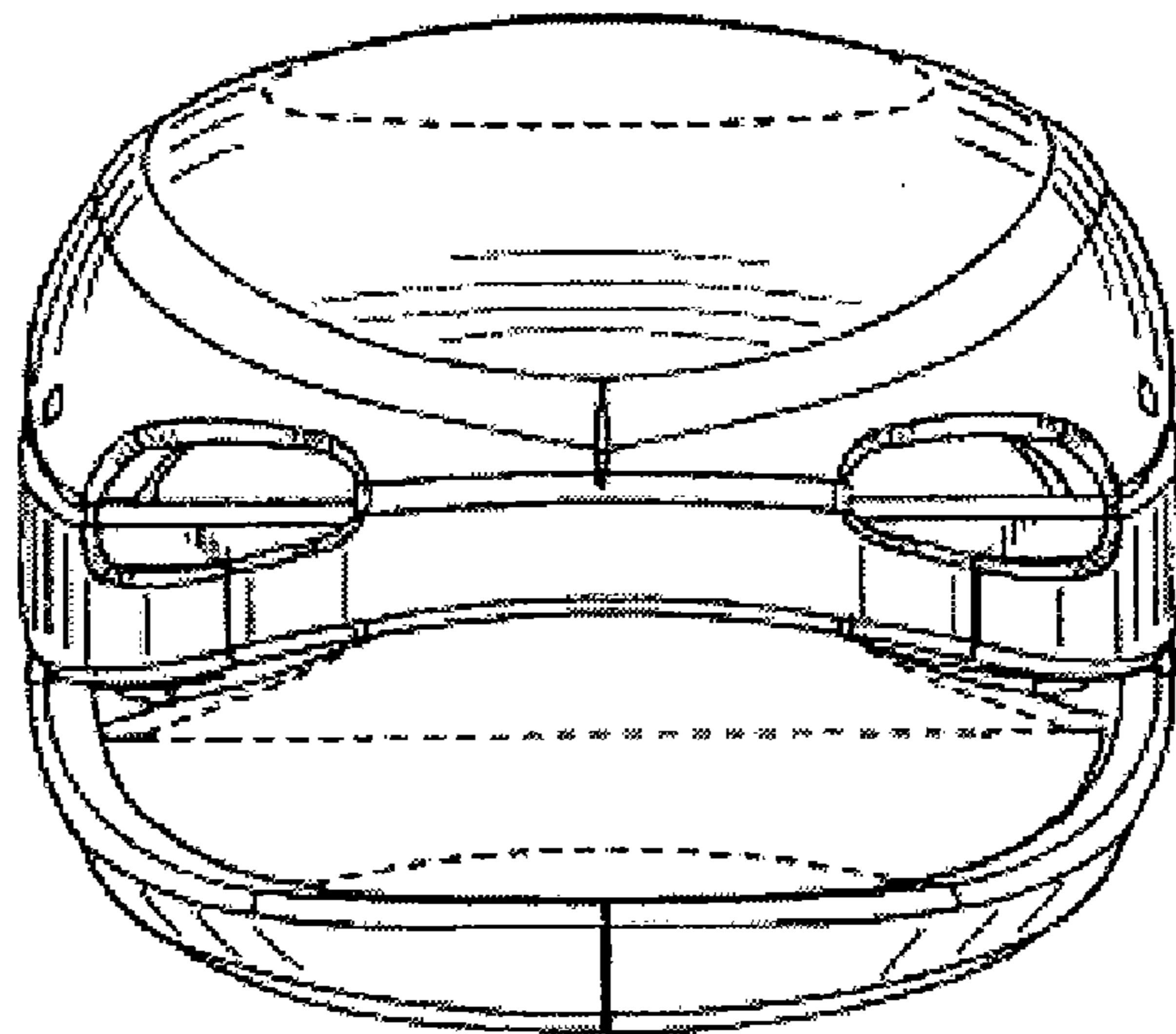
**FIG. 3**



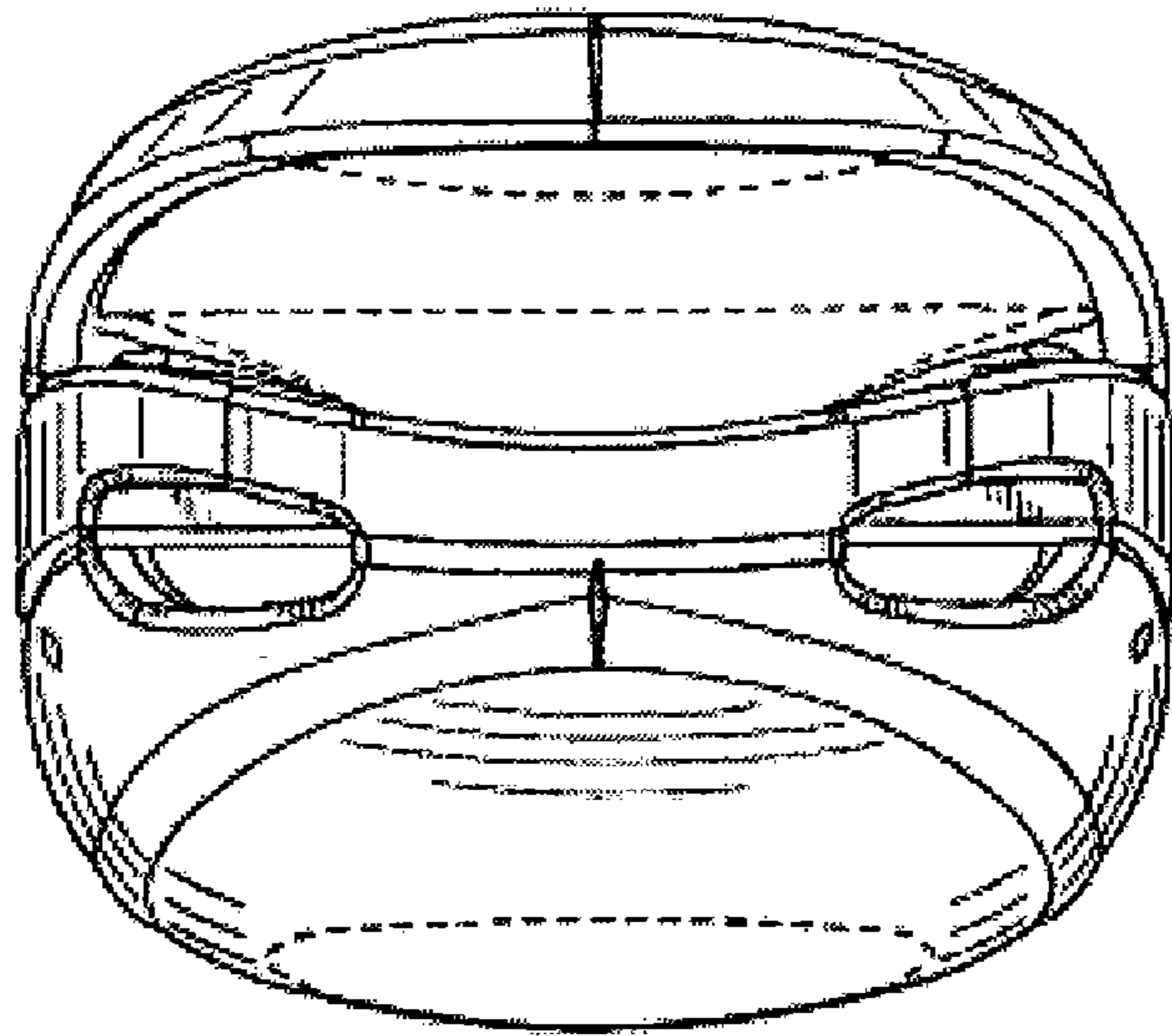
**FIG. 4**



**FIG. 5**



**FIG. 6**



**FIG. 7**