



US00D608627S

(12) **United States Design Patent**
Beatty et al.

(10) **Patent No.:** **US D608,627 S**
(45) **Date of Patent:** **** Jan. 26, 2010**

(54) **MICROWAVE ANTENNA STABILIZING BRACKET**

(76) Inventors: **William Steven Beatty**, 1118 Wood Heights Dr., Lewisville, TX (US) 75067;
James Olin Hyde, 3407 Huisache St., Denton, TX (US) 76209

(**) Term: **14 Years**

(21) Appl. No.: **29/340,856**

(22) Filed: **Jul. 27, 2009**

(51) **LOC (9) Cl.** **08-08**

(52) **U.S. Cl.** **D8/394; D8/396**

(58) **Field of Classification Search** D8/356,
D8/371, 394-396; 24/570, 546, 563, 571;
248/74.2, 215, 227.1, 49, 300, 301, 316.7,
248/51, 489; D19/65, 56; 296/146.4; D14/238
See application file for complete search history.

(56) **References Cited**

U.S. PATENT DOCUMENTS

1,882,555	A *	10/1932	Gray	248/74.3
2,747,827	A *	5/1956	Georgiev	248/316.1
4,530,478	A *	7/1985	McClellan	248/62
D282,801	S *	3/1986	Goins et al.	D6/553
D304,667	S *	11/1989	Hutton	D8/18
D306,110	S *	2/1990	Thompson et al.	D6/553
D306,507	S *	3/1990	Lund	D32/54
D424,420	S *	5/2000	Kazale	D8/396
6,102,341	A *	8/2000	Ball	248/58
D433,675	S *	11/2000	Carranco et al.	D14/218
6,481,673	B1 *	11/2002	Roe et al.	248/62

D478,500	S *	8/2003	Winig et al.	D8/367
6,691,959	B1 *	2/2004	Dancy	248/100
D495,348	S *	8/2004	Brasseur	D15/144
7,364,323	B2 *	4/2008	Francois	362/267
D600,067	S *	9/2009	Forsyth	D7/387

* cited by examiner

Primary Examiner—T. Chase Nelson
Assistant Examiner—John Windmuller
(74) *Attorney, Agent, or Firm*—Colin P. Cahoon; Bobby W. Braxton; Carstens & Cahoon, LLP

(57) **CLAIM**

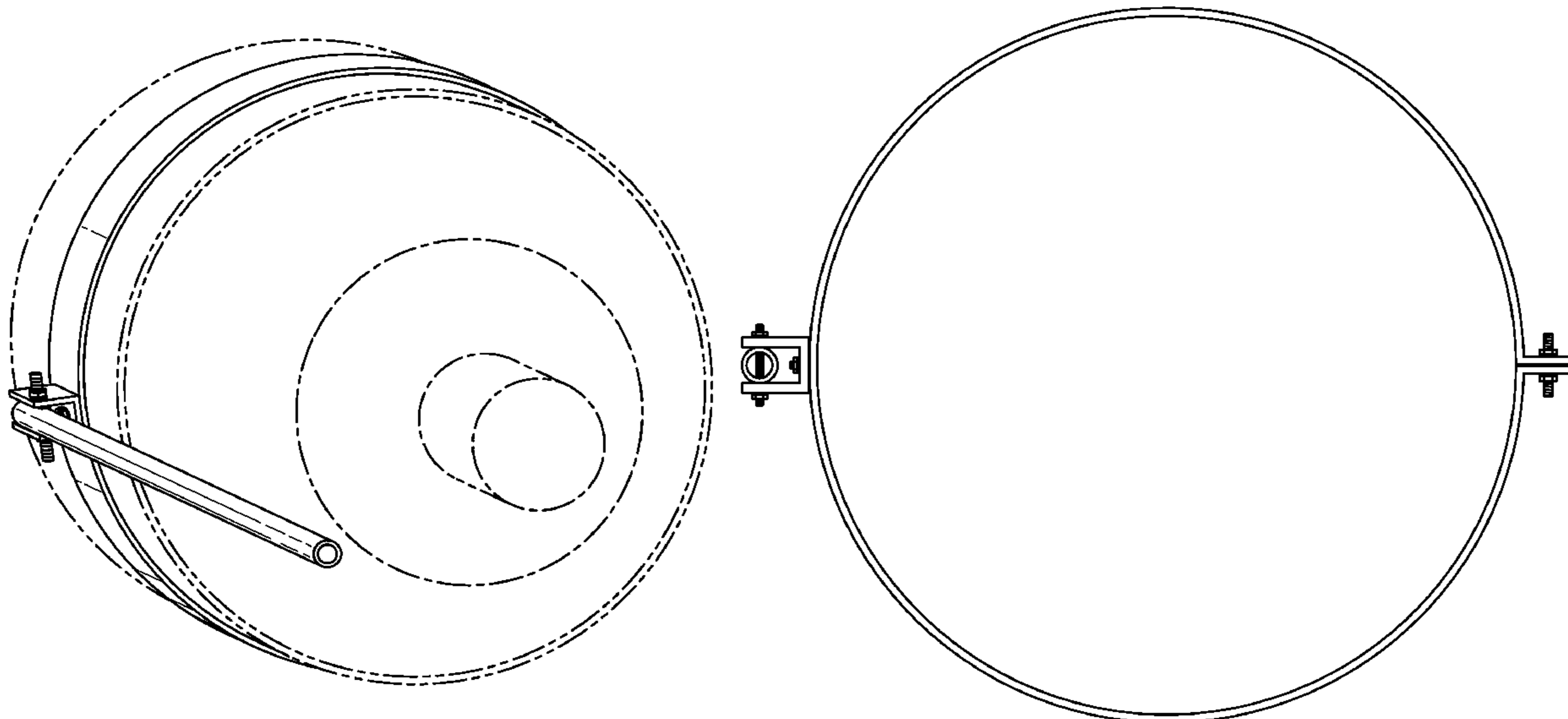
The ornamental design for a microwave antenna stabilizing bracket, as shown and described.

DESCRIPTION

FIG. 1 is a front perspective view of a microwave antenna stabilizing bracket showing our new design;
FIG. 2 is a rear perspective view thereof;
FIG. 3 is a front elevation view thereof;
FIG. 4 is a rear elevation view thereof;
FIG. 5 is a left elevation view thereof;
FIG. 6 is a right elevation view thereof;
FIG. 7 is a top plan view thereof; and,
FIG. 8 is a bottom plan view thereof.

The broken line in FIGS. 1 and 2 is for the purpose of illustrating the location of the antenna and forms no part of the claimed design.

1 Claim, 8 Drawing Sheets



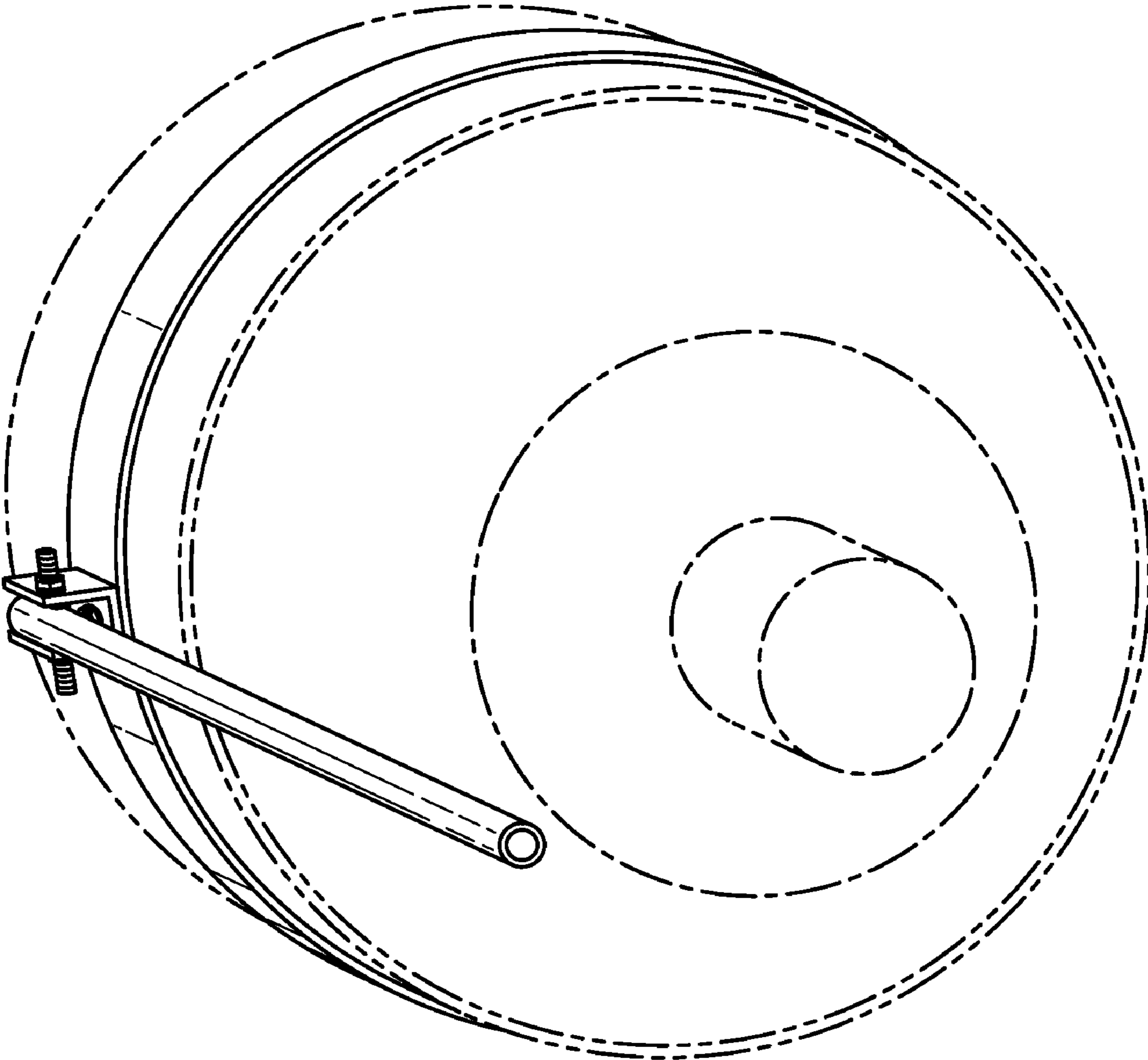


FIG. 1

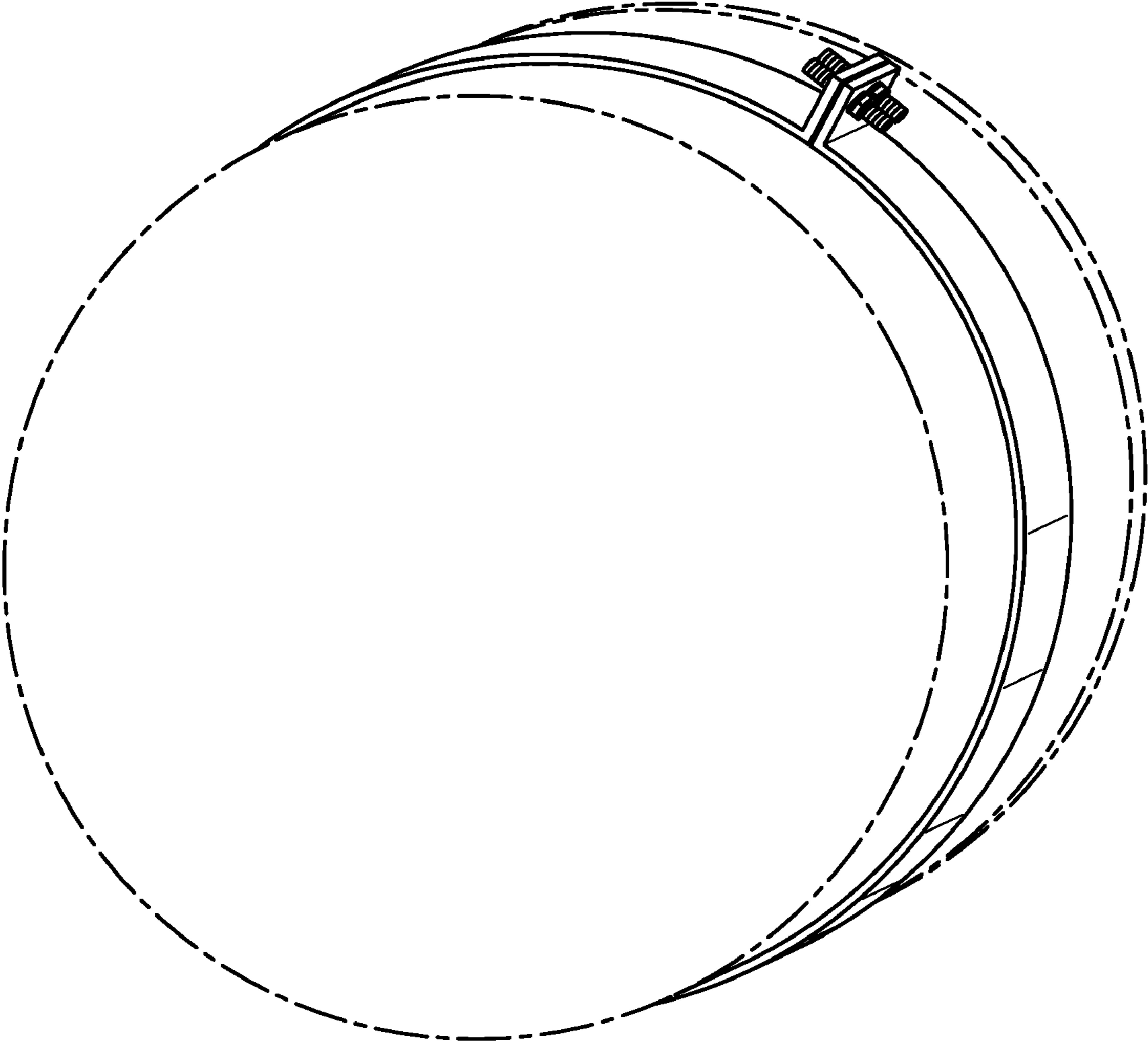


FIG. 2

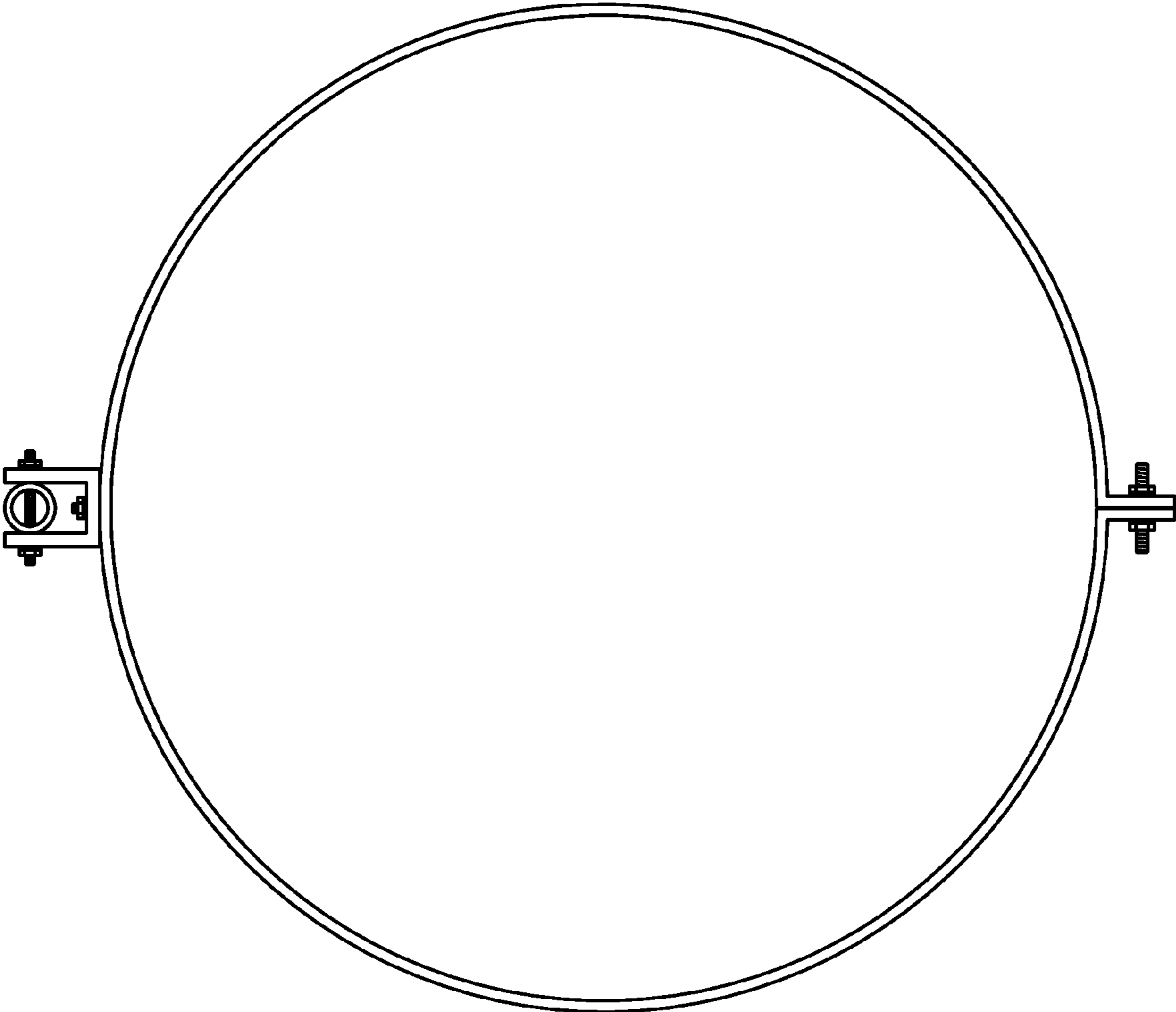


FIG. 3

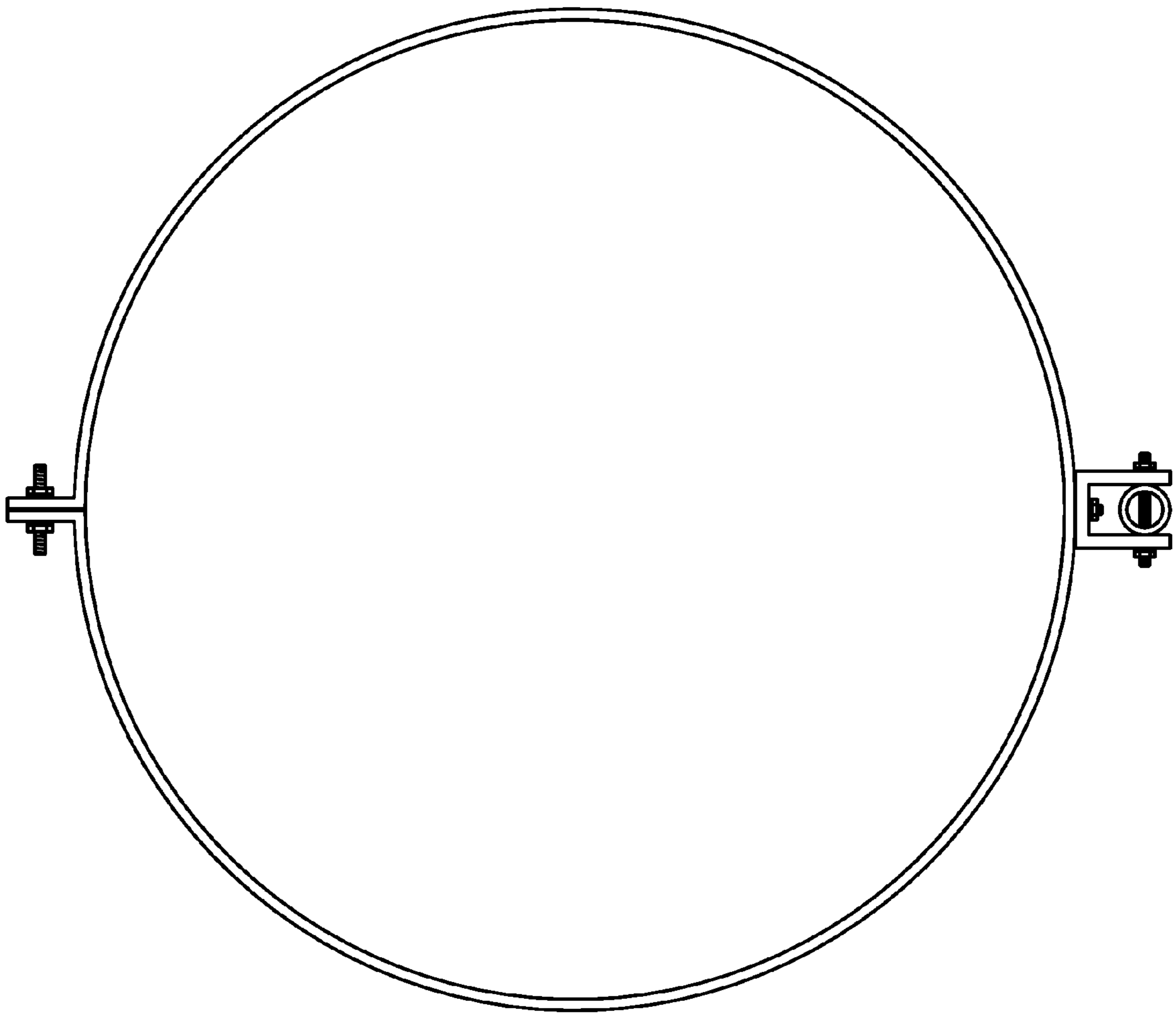


FIG. 4

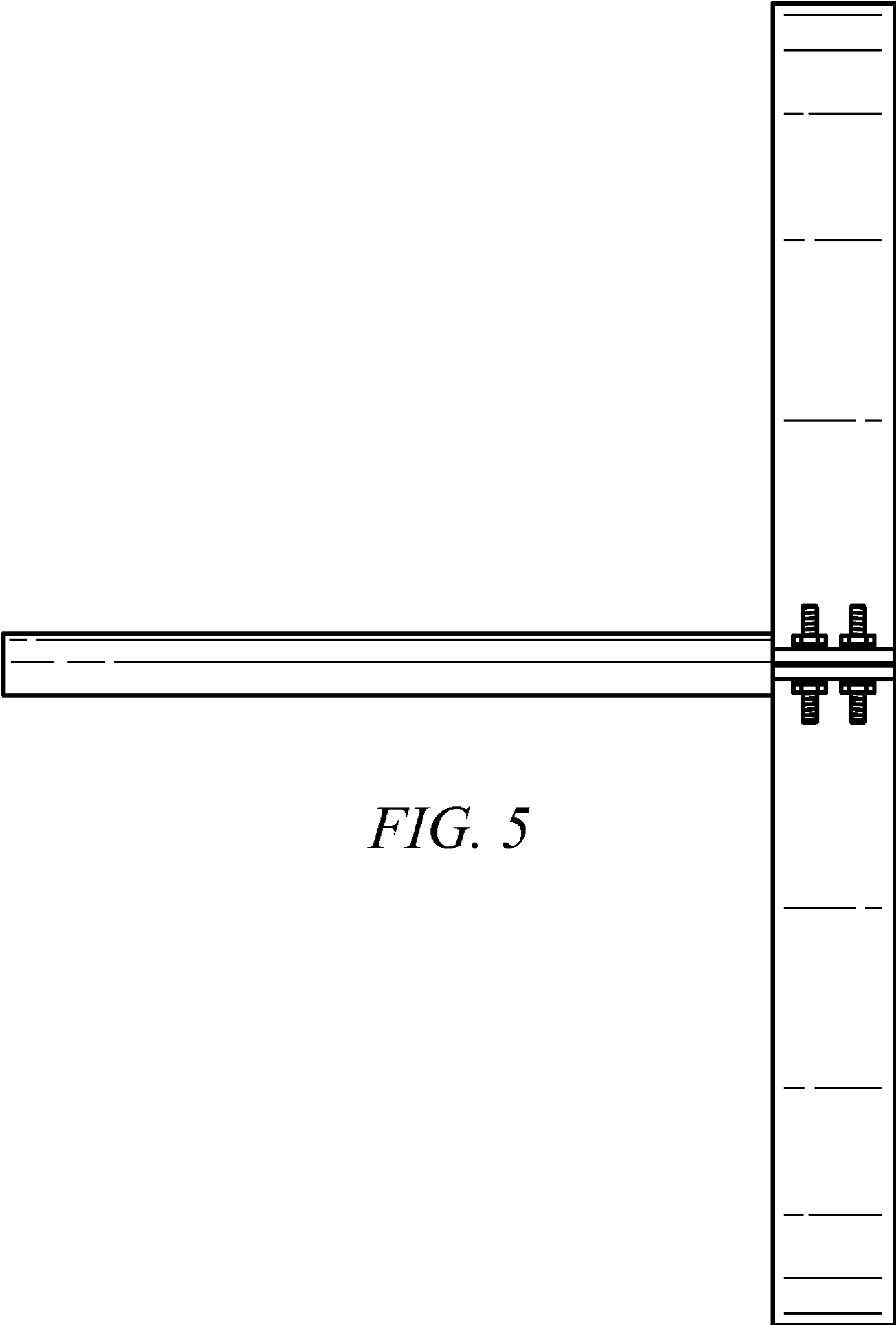


FIG. 5

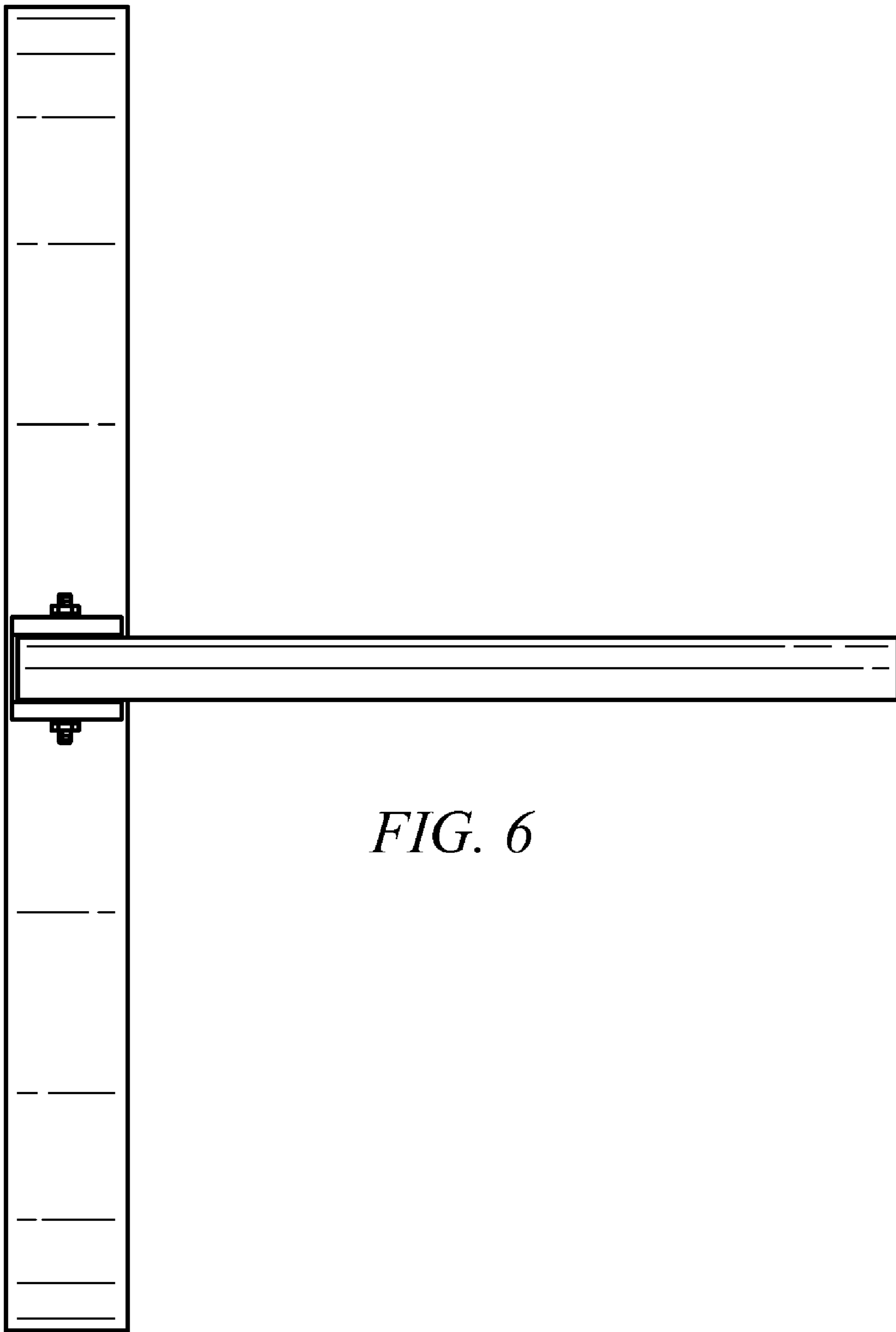


FIG. 6

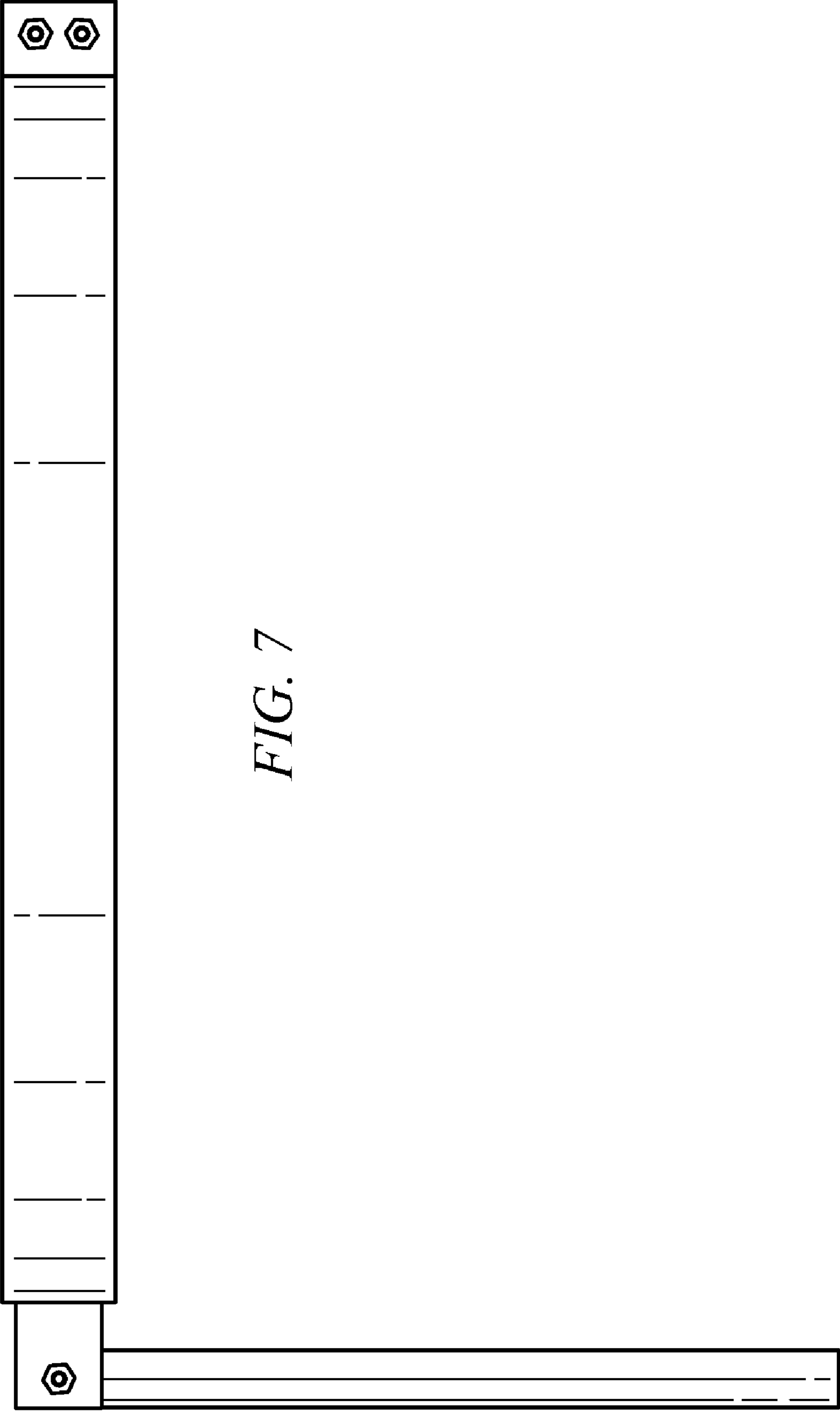


FIG. 7

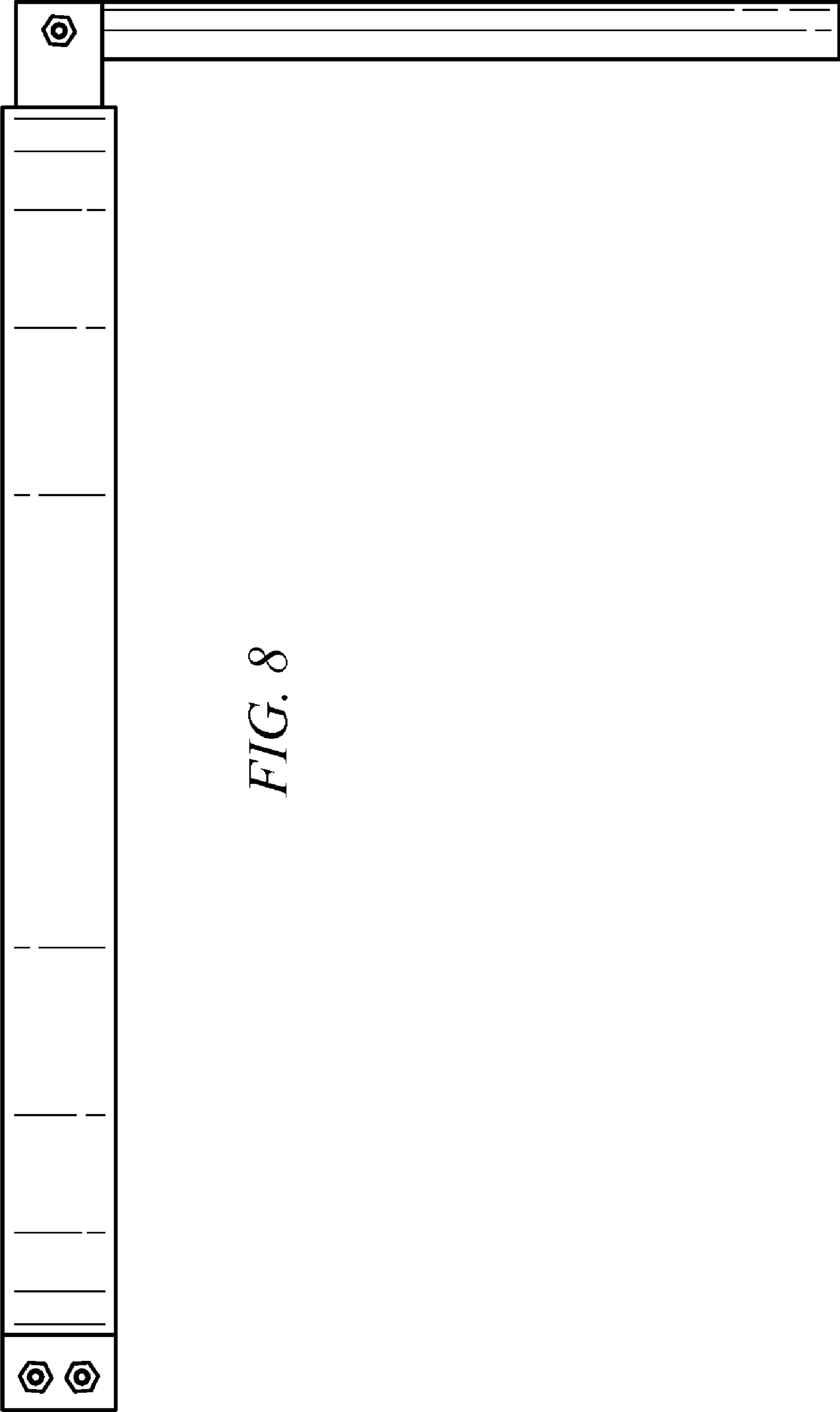


FIG. 8