



US00D608626S

(12) **United States Design Patent**
Camisasca

(10) **Patent No.:** **US D608,626 S**
(45) **Date of Patent:** **** Jan. 26, 2010**

(54) **ANTI-THEFT THREADED CAP**

Primary Examiner—Holly H Baynham

(75) Inventor: **Henry P. Camisasca**, Irvine, CA (US)

Assistant Examiner—Sheryl Lane

(73) Assignee: **Camisasca Automotive Manufacturing, Inc.**, Lake Forest, CA (US)

(74) *Attorney, Agent, or Firm*—Knobbe, Martens, Olson & Bear LLP

(**) Term: **14 Years**

(57) **CLAIM**

(21) Appl. No.: **29/332,182**

The ornamental design for an anti-theft threaded cap, as shown and described.

(22) Filed: **Feb. 10, 2009**

DESCRIPTION

(51) **LOC (9) Cl.** **08-08**

(52) **U.S. Cl.** **D8/382**

(58) **Field of Classification Search** D8/387,
D8/382, 499; D11/226

See application file for complete search history.

(56) **References Cited**

U.S. PATENT DOCUMENTS

| | | | | | |
|-----------|-----|---------|------------------|-------|-----------|
| 1,152,960 | A * | 9/1915 | Moloney | | 411/373 |
| 1,673,486 | A * | 6/1928 | Berge | | 470/3 |
| 2,345,949 | A | 4/1944 | Robbins | | |
| 4,214,505 | A | 7/1980 | Aimar | | |
| 4,302,137 | A | 11/1981 | Hart | | |
| 4,400,123 | A | 8/1983 | Dunegan | | |
| 4,413,374 | A | 11/1983 | Ferdinand et al. | | |
| 4,521,146 | A | 6/1985 | Wharton | | |
| 4,582,462 | A * | 4/1986 | Thiel | | 411/372.5 |
| D284,265 | S * | 6/1986 | Resan | | D8/382 |
| 4,601,624 | A | 7/1986 | Hill | | |
| 4,611,379 | A | 9/1986 | Heitzman | | |
| 4,621,230 | A | 11/1986 | Crouch et al. | | |
| 4,701,089 | A | 10/1987 | Nettel | | |
| 4,726,723 | A | 2/1988 | Bainbridge | | |
| 4,732,517 | A | 3/1988 | Crouch et al. | | |
| D359,294 | S * | 6/1995 | Szabo | | D15/199 |
| D359,295 | S * | 6/1995 | Szabo | | D15/199 |
| D359,970 | S * | 7/1995 | Szabo | | D15/199 |

FIG. 1 is a front and top side perspective view of an anti-theft threaded cap embodying our new design;

FIG. 2 is a top plan view thereof;

FIG. 3 is a front elevational view thereof;

FIG. 4 is a bottom plan view thereof;

FIG. 5 is a front and top side perspective view of the anti-theft threaded cap of FIG. 1, showing only a lid portion;

FIG. 6 is a top plan view of the lid portion;

FIG. 7 is a front elevational view of the lid portion;

FIG. 8 is a bottom plan view of the lid portion;

FIG. 9 is a front and top side perspective view of the anti-theft threaded cap of FIG. 1, showing only a base portion;

FIG. 10 is a top plan view of the base portion;

FIG. 11 is a front elevational view of the base portion;

FIG. 12 is a bottom plan view of the base portion;

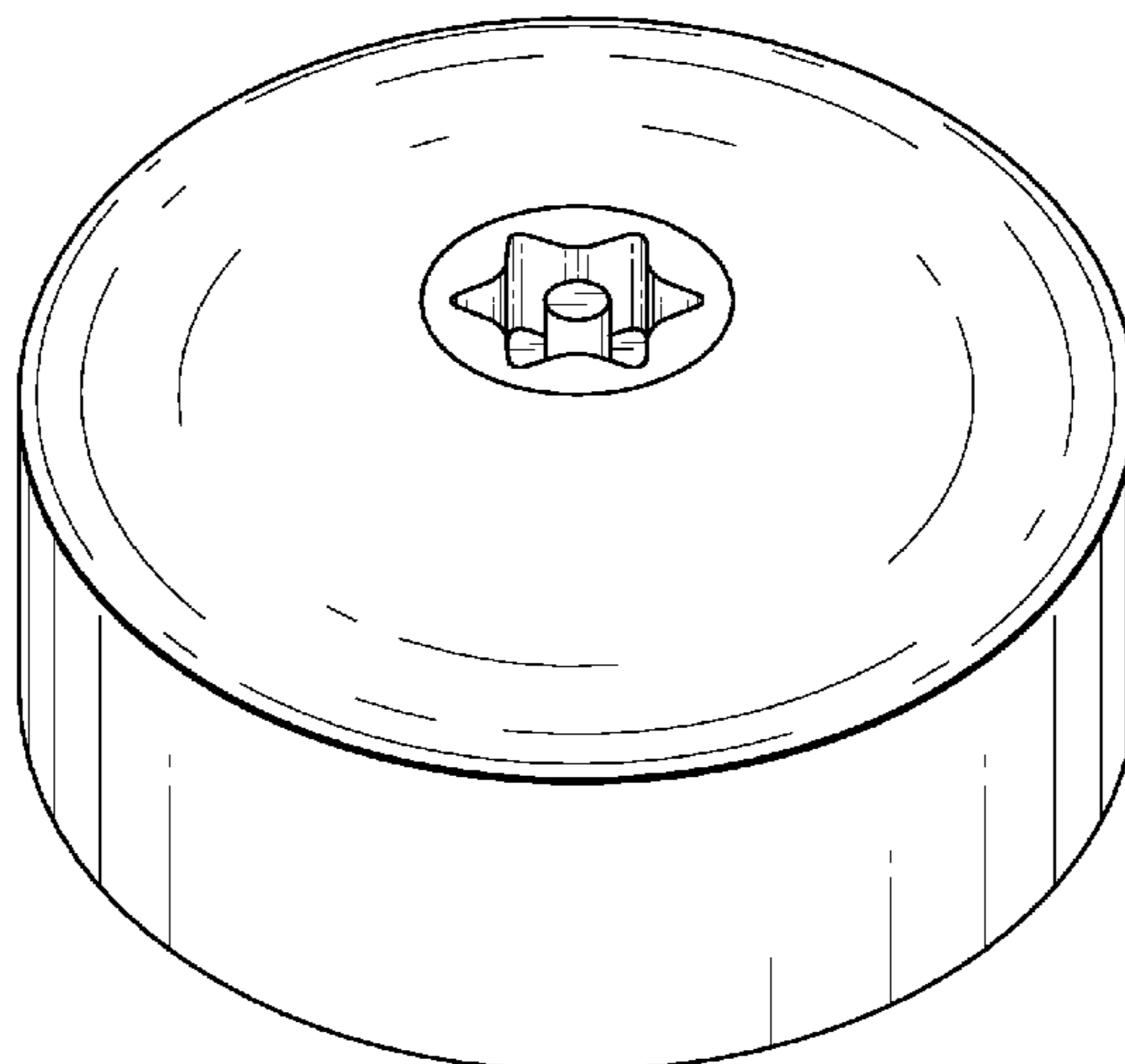
FIG. 13 is a cross sectional view of the anti-theft threaded cap taken along line 13—13 in FIG. 2; and,

FIG. 14 is a perspective view of four of the anti-theft threaded caps as used, for example, on license plate hardware.

All features illustrated in phantom line are expressly disclaimed and form no part of the claimed design.

(Continued)

1 Claim, 8 Drawing Sheets



US D608,626 S

Page 2

U.S. PATENT DOCUMENTS

| | | | | | | | | | |
|-----------|-----|---------|------------------|---------|--------------|-----|---------|------------------|--------|
| 5,517,730 | A * | 5/1996 | Ho | 24/92 | 6,273,658 | B1 | 8/2001 | Patterson et al. | |
| D380,668 | S * | 7/1997 | Nakamura | D8/387 | 6,494,658 | B1 | 12/2002 | Roy | |
| 5,653,564 | A * | 8/1997 | Nakamura | 411/373 | D483,252 | S * | 12/2003 | Williamson | D8/387 |
| D386,068 | S * | 11/1997 | Nakamura | D8/387 | 6,719,511 | B2 | 4/2004 | Notaro et al. | |
| 5,752,795 | A | 5/1998 | D'Adamo | | 6,923,230 | B2 | 8/2005 | Airoldi et al. | |
| 5,870,934 | A | 2/1999 | Cullinan | | 7,004,701 | B2 | 2/2006 | Ross | |
| 5,890,859 | A | 4/1999 | Hasnik | | 7,351,020 | B1 | 4/2008 | Notaro et al. | |
| 5,997,229 | A * | 12/1999 | Akers | 411/373 | 7,445,414 | B1 | 11/2008 | Notaro et al. | |
| 6,135,691 | A | 10/2000 | Nadarajah et al. | | 2008/0044254 | A1 | 2/2008 | Wilson | |

* cited by examiner

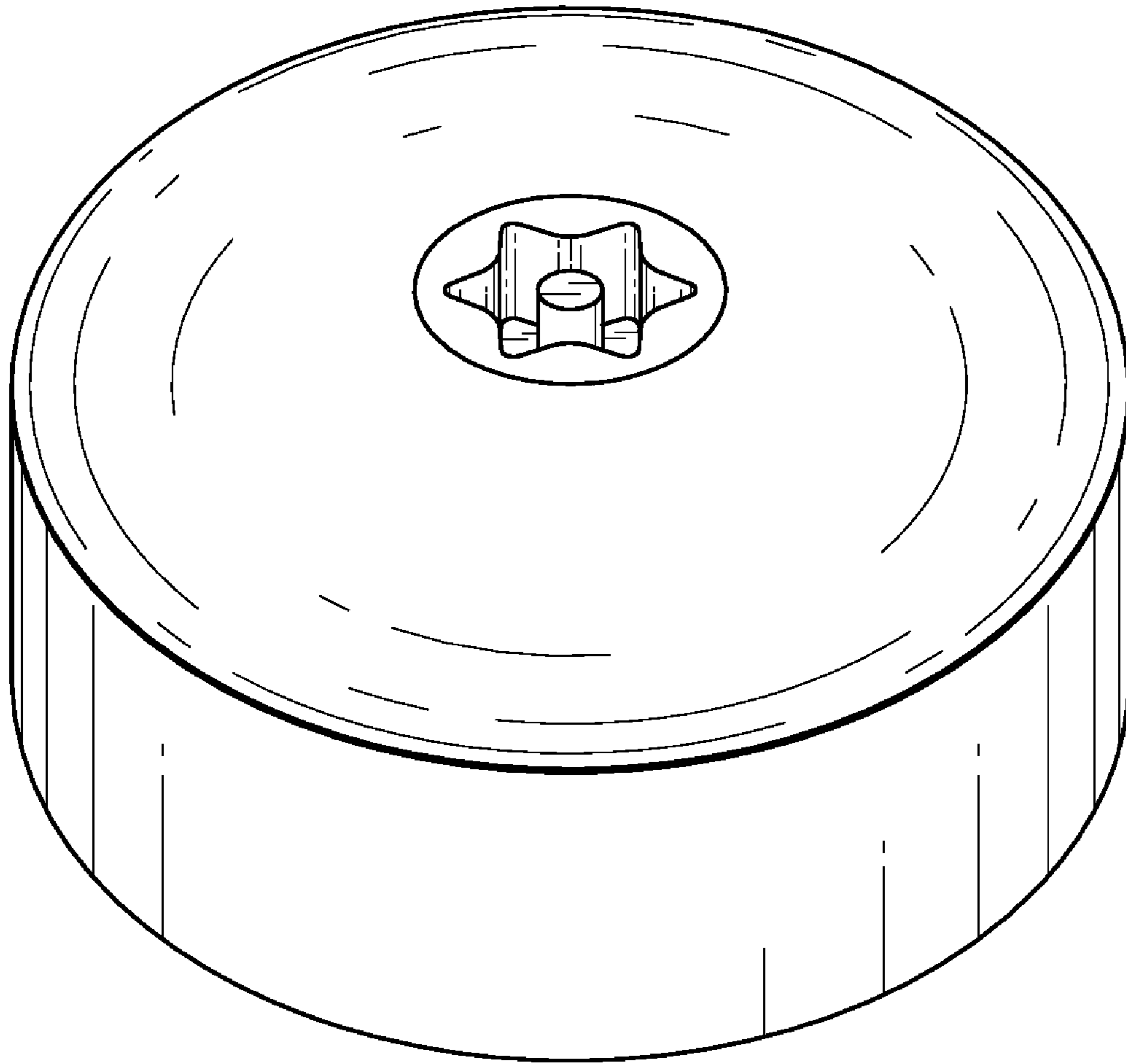


FIG. 1

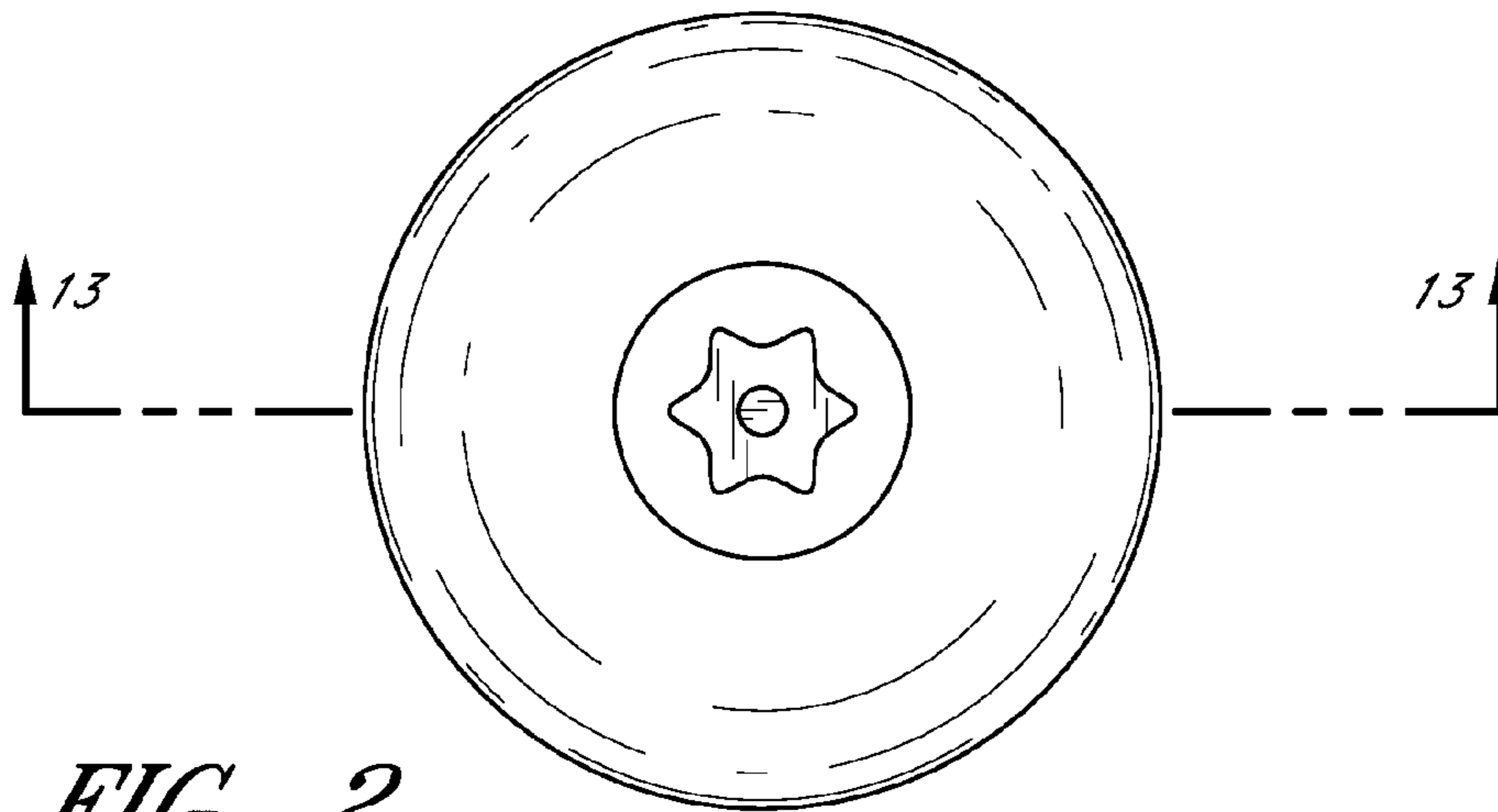


FIG. 2

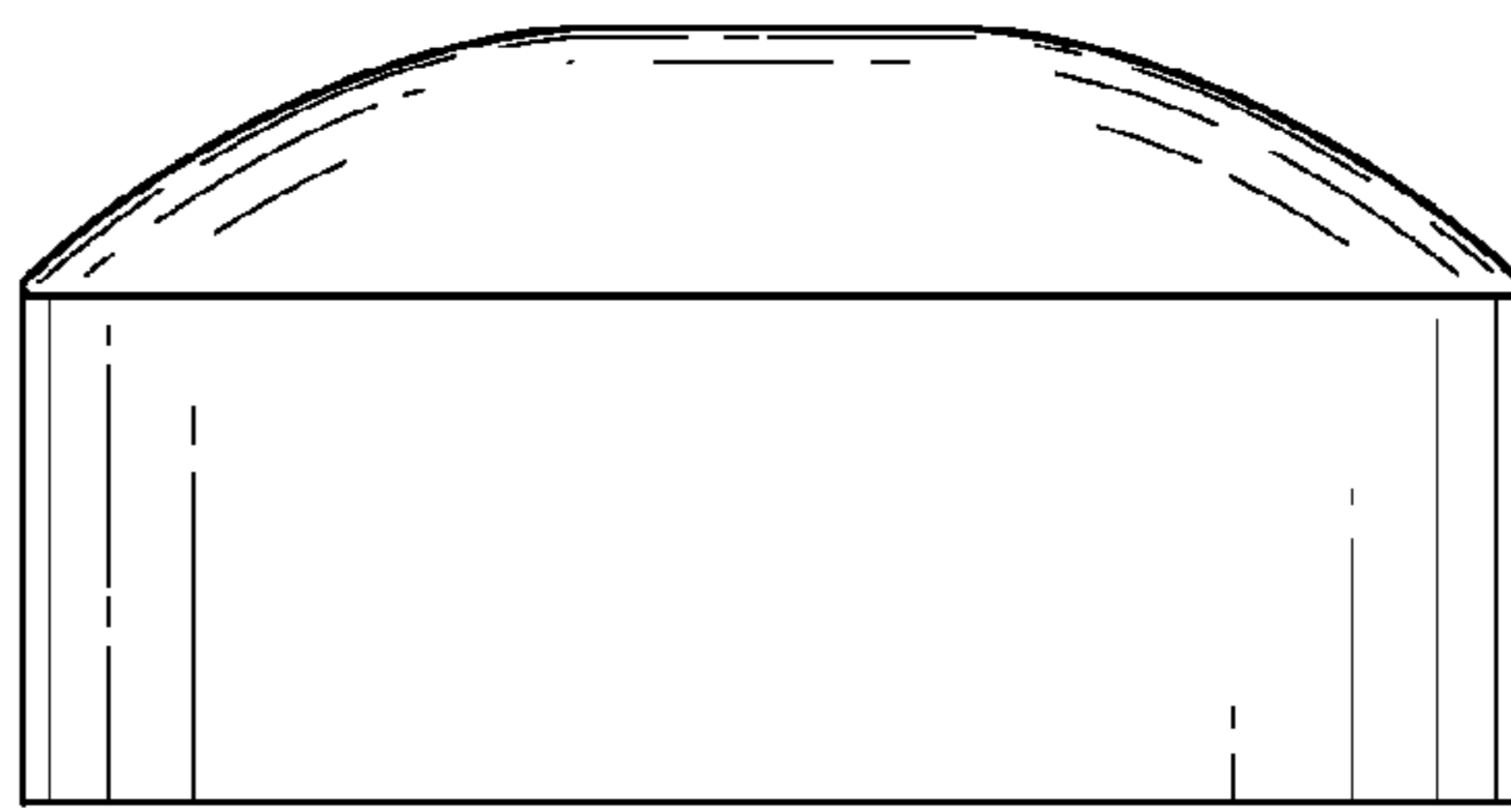


FIG. 3

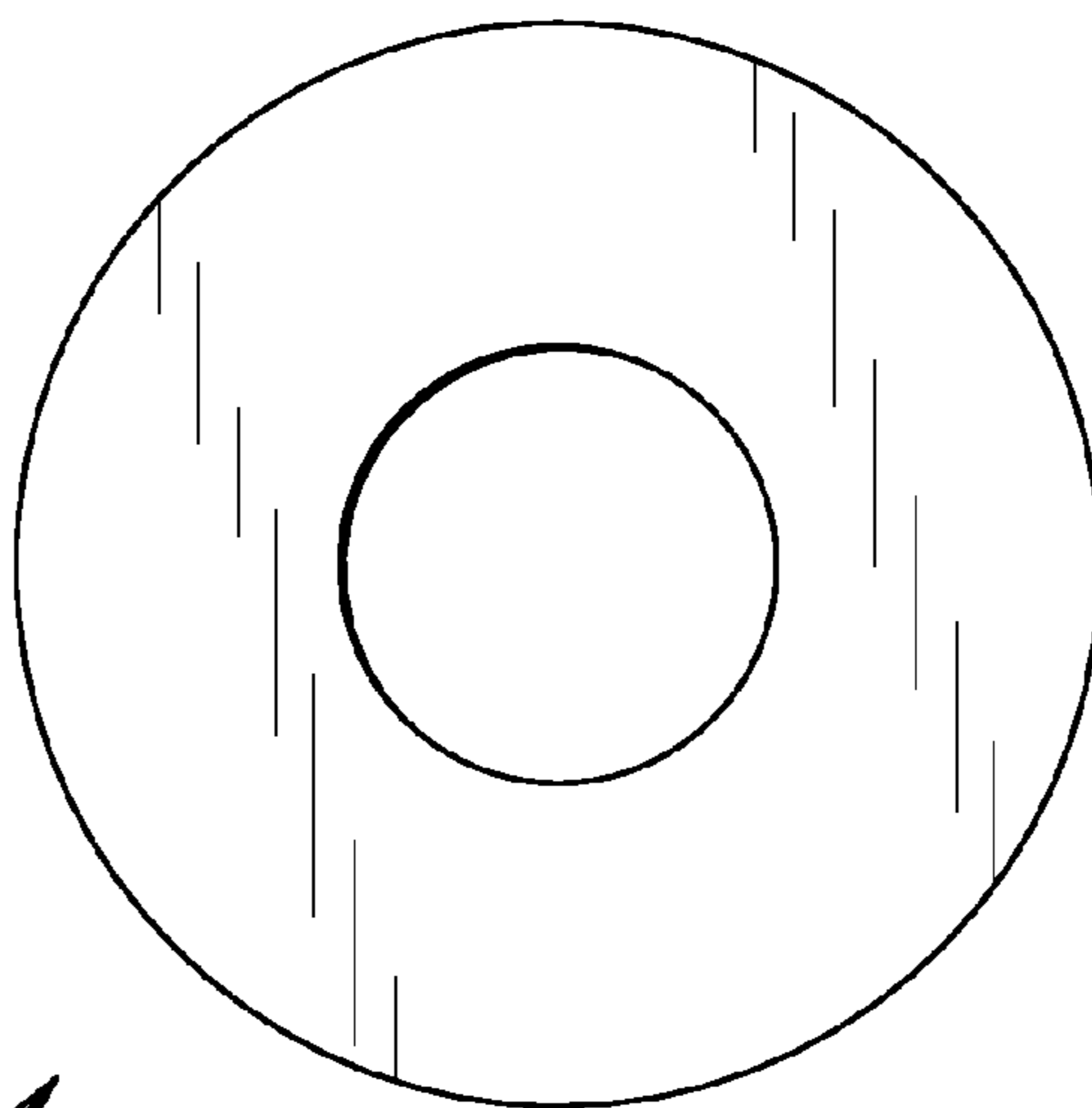


FIG. 4

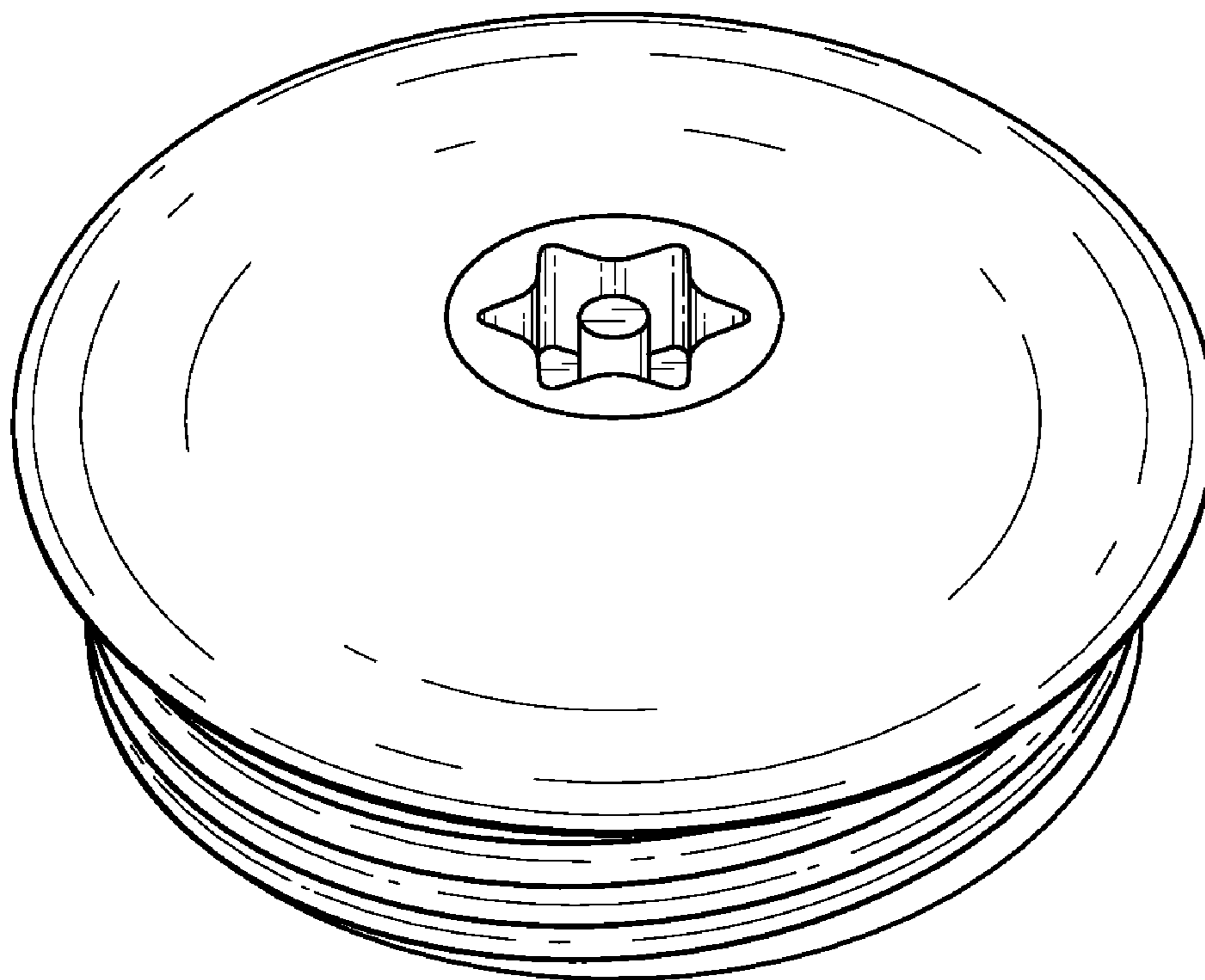


FIG. 5

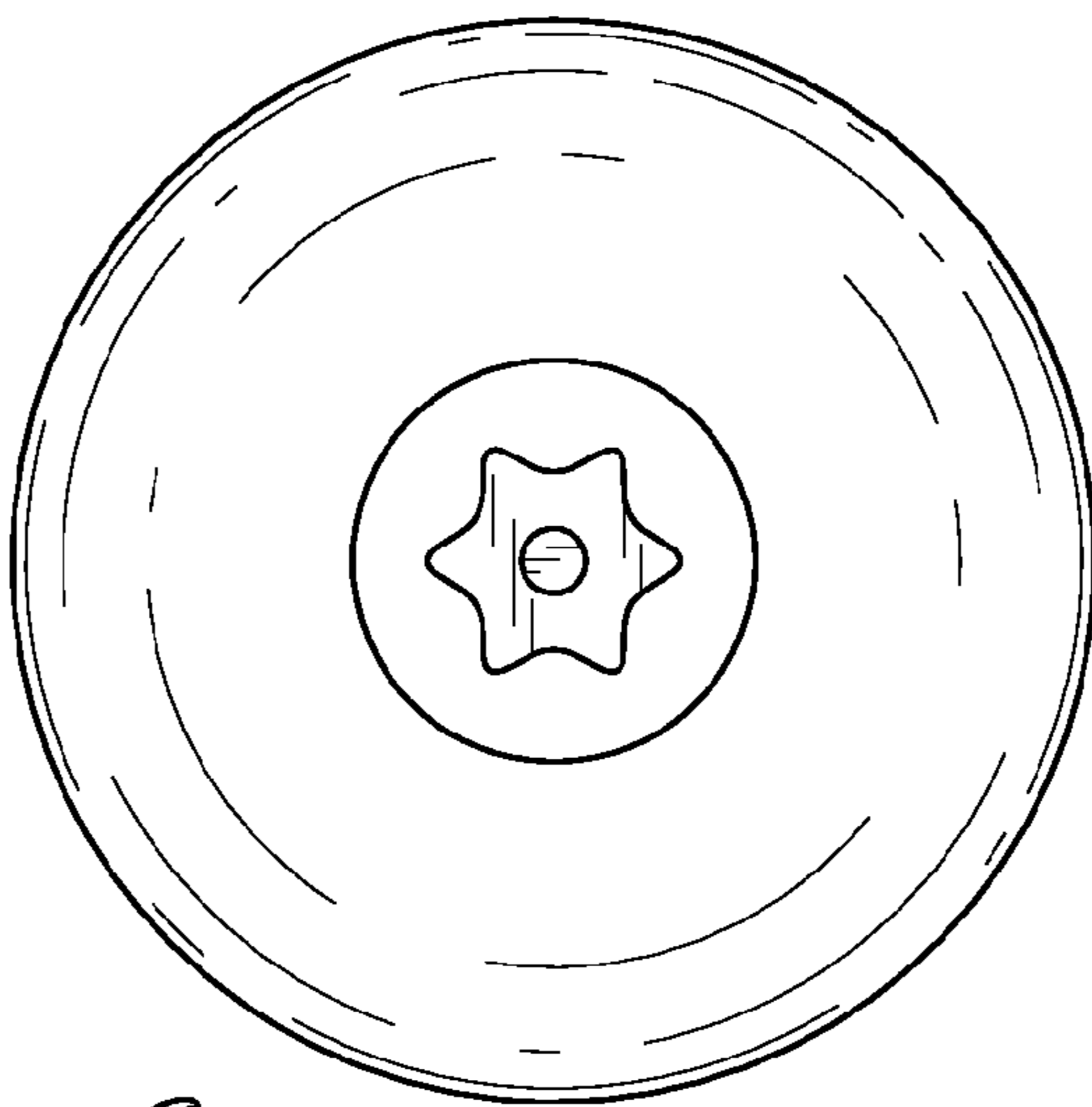


FIG. 6

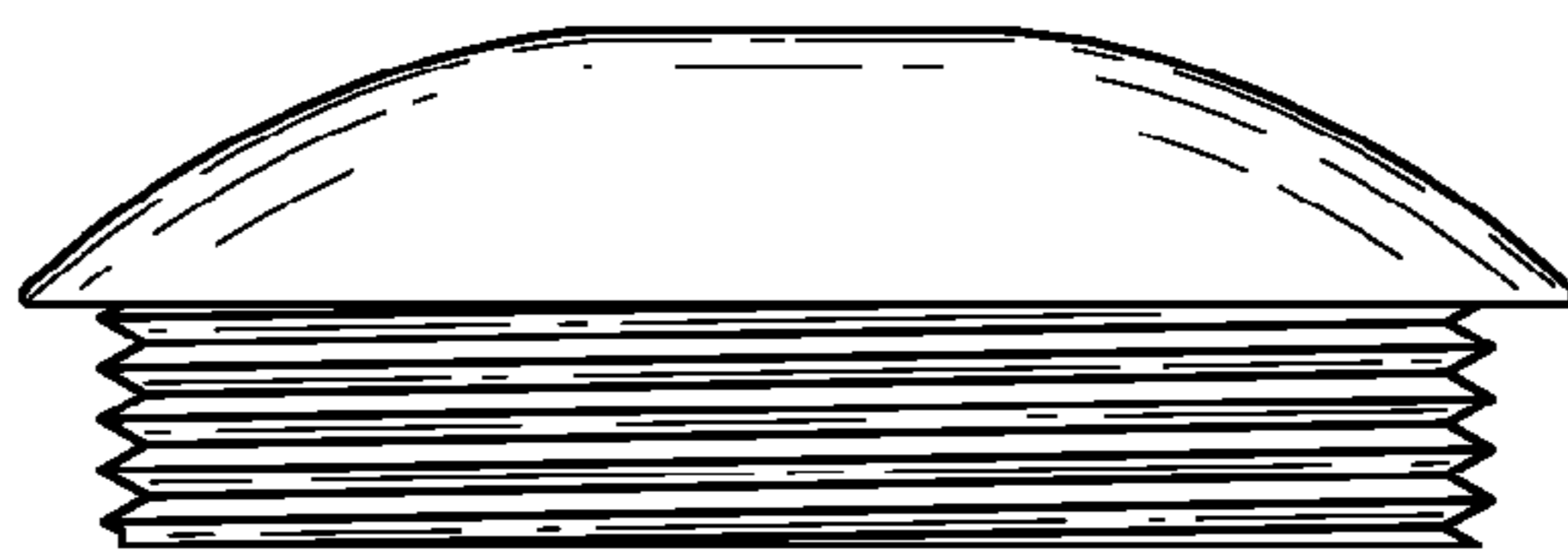


FIG. 7

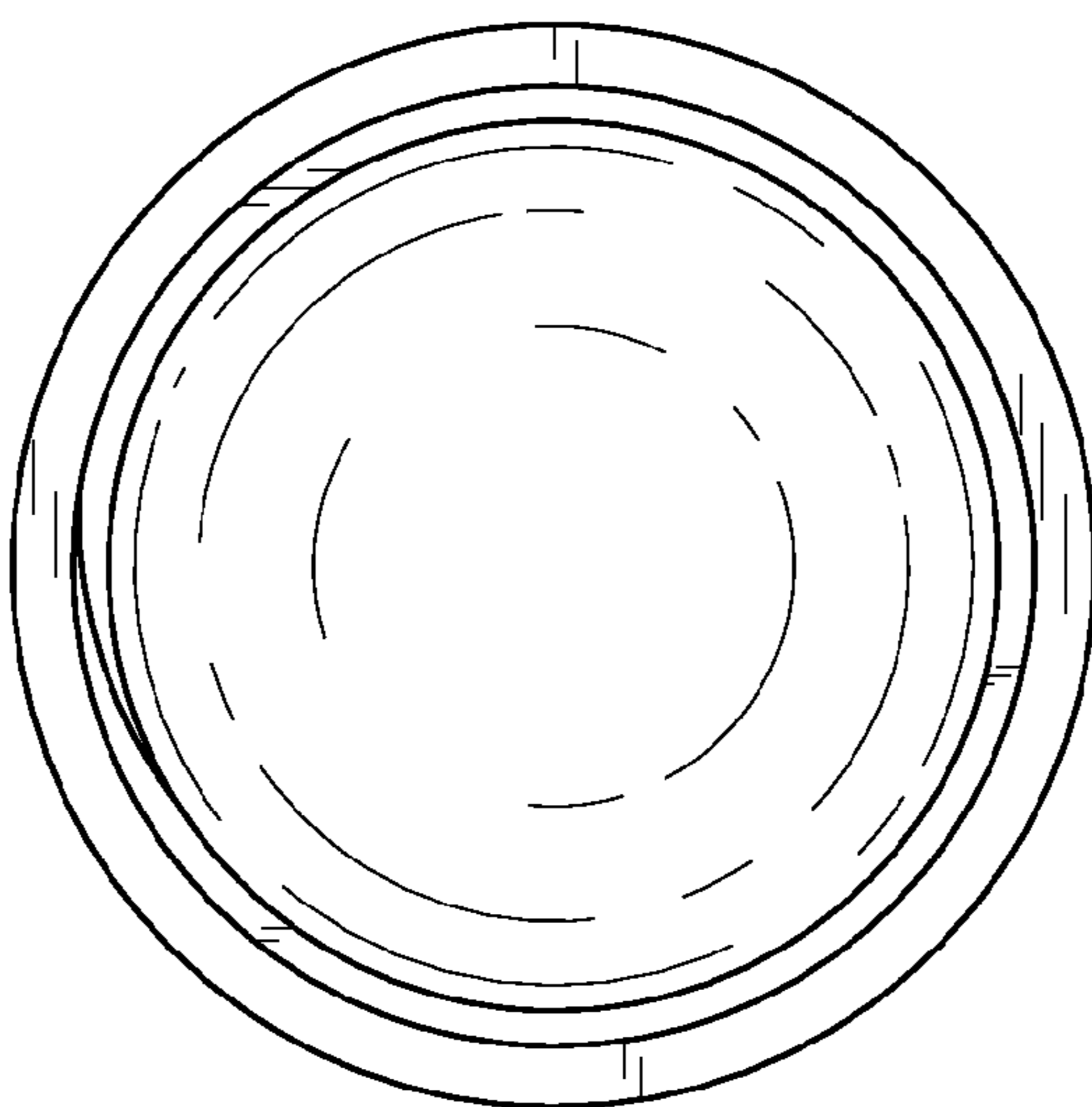


FIG. 8

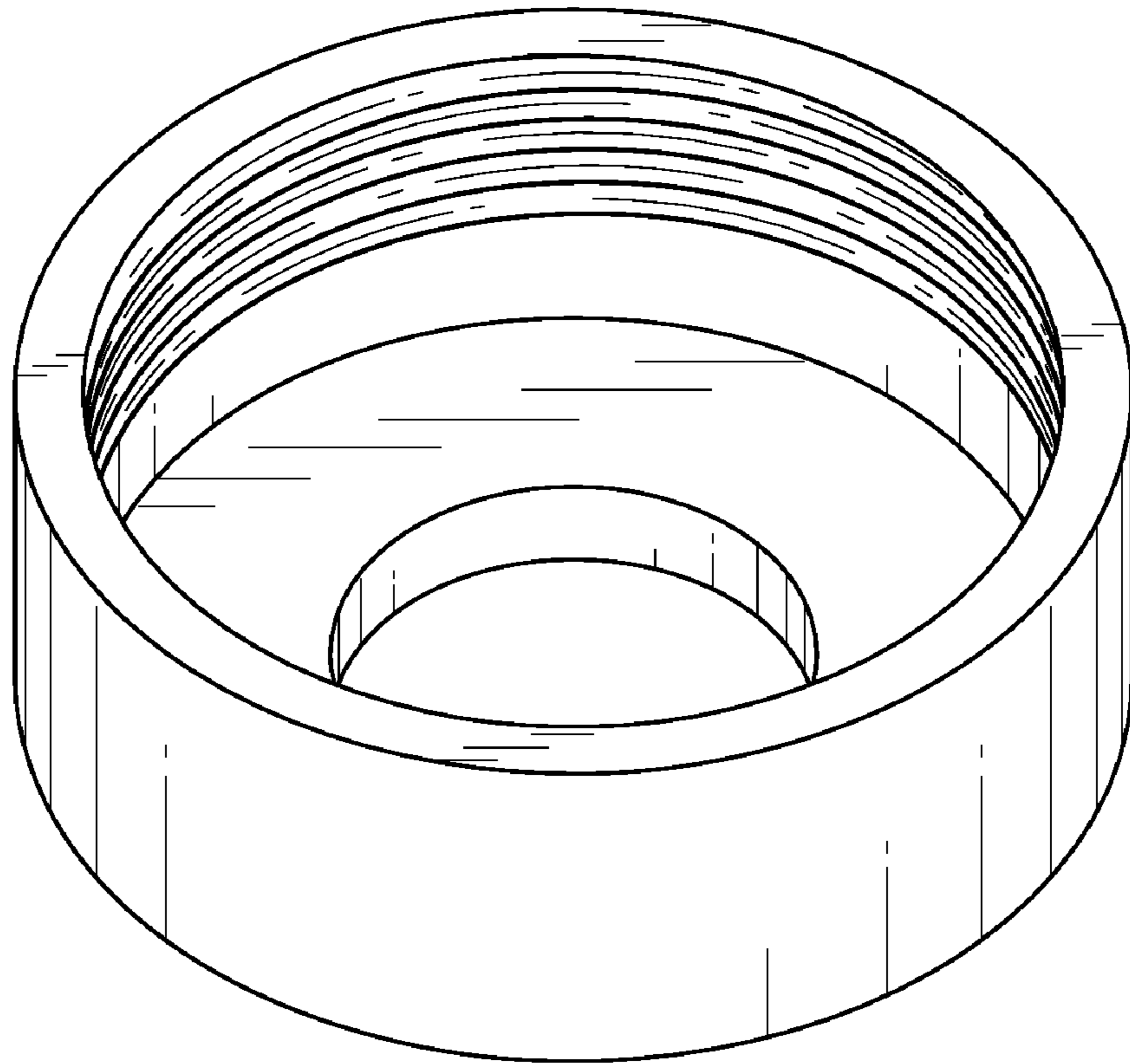


FIG. 9

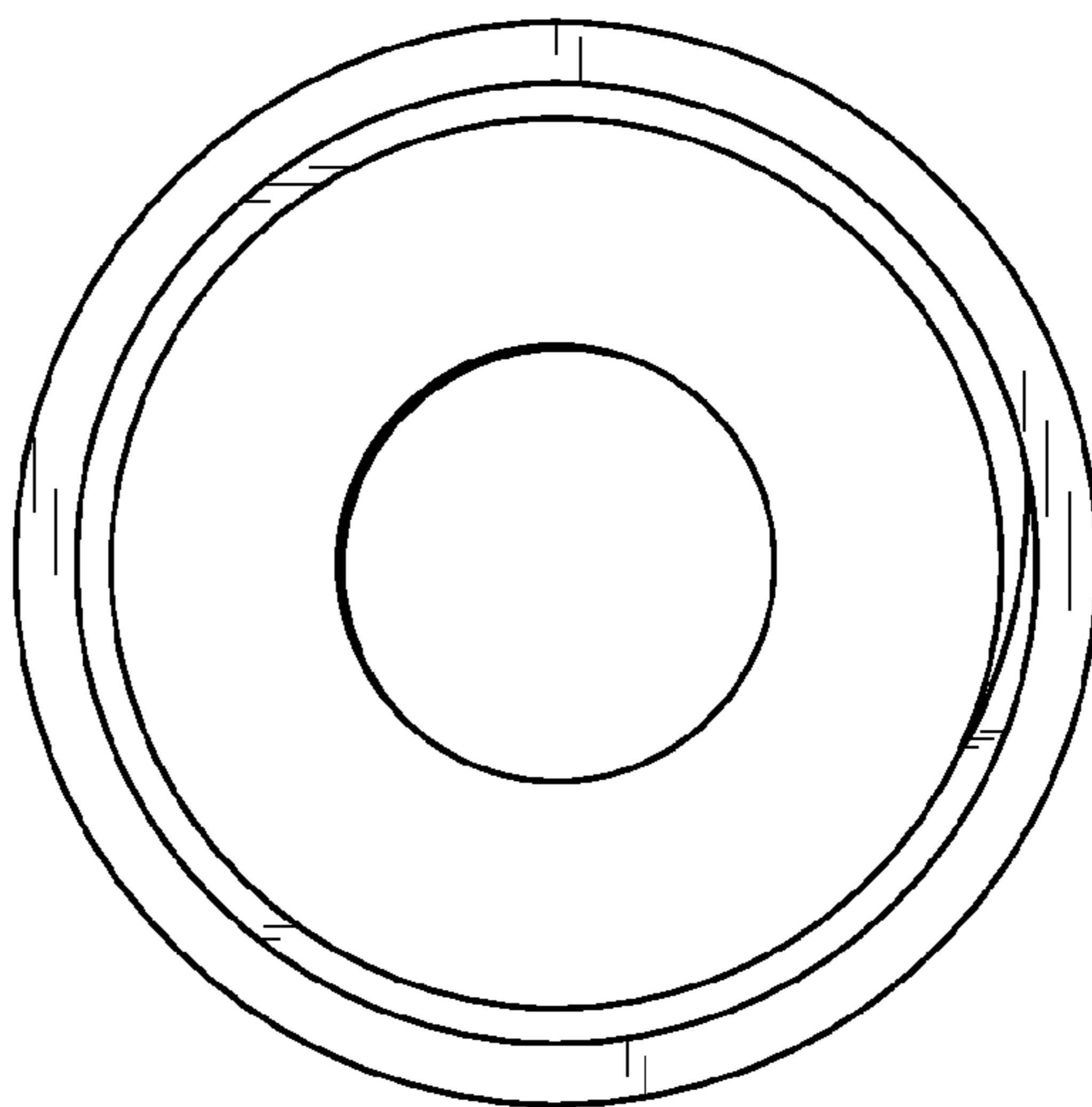


FIG. 10

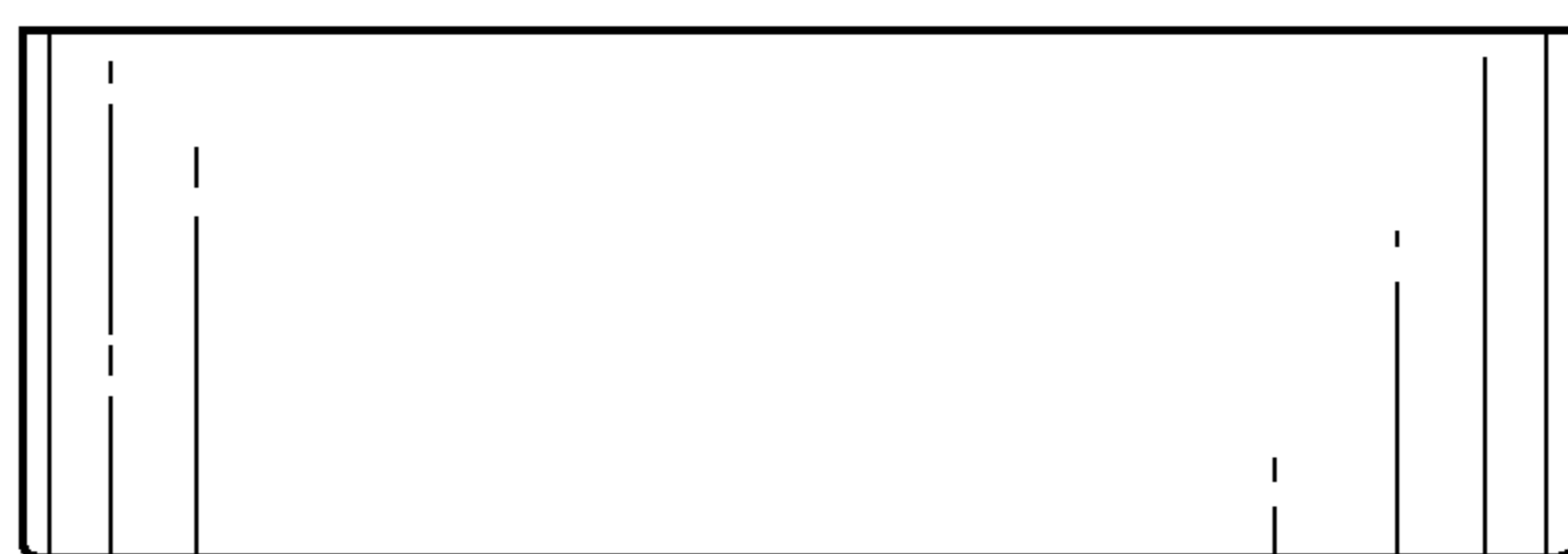


FIG. 11

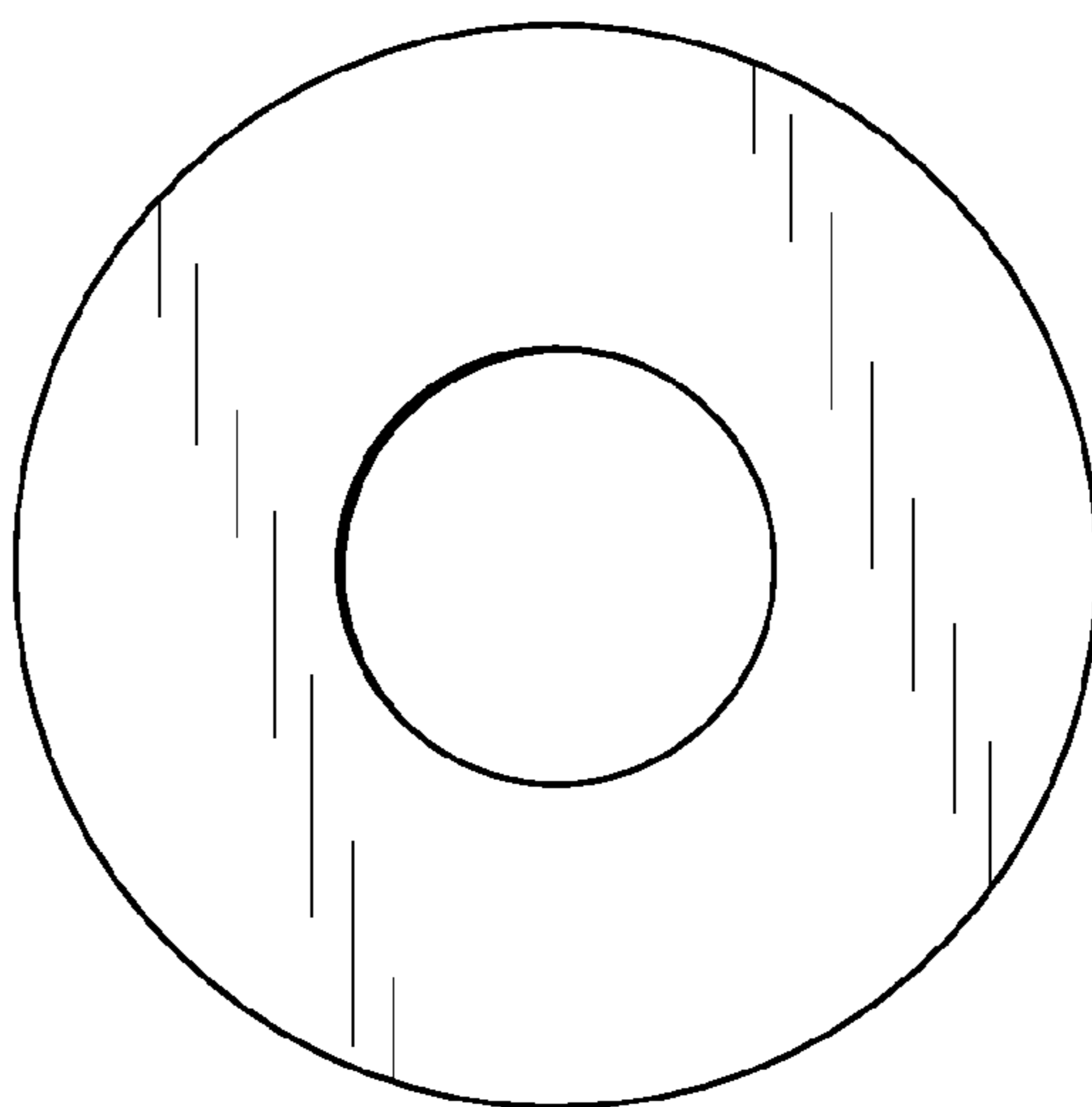


FIG. 12

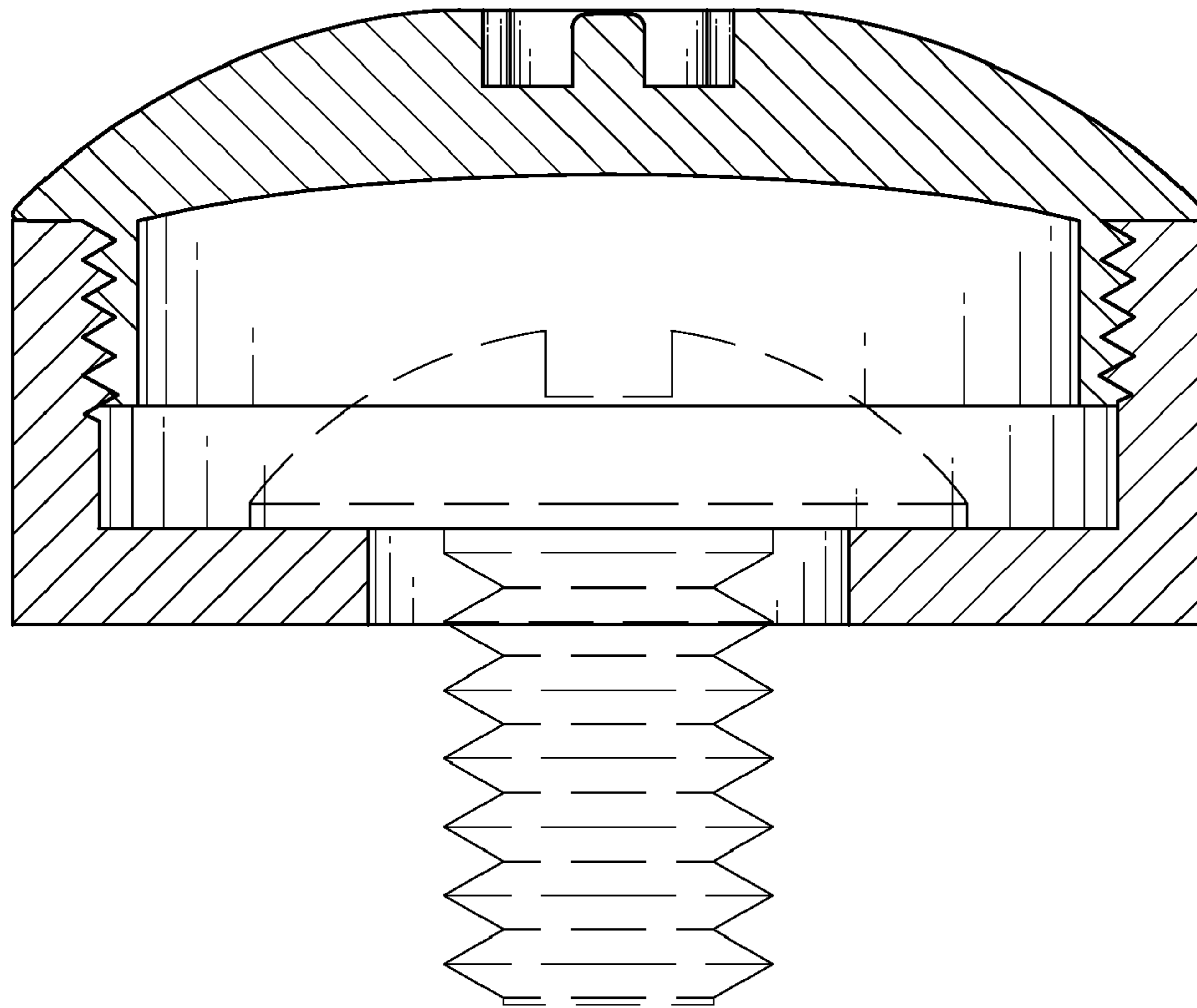


FIG. 13

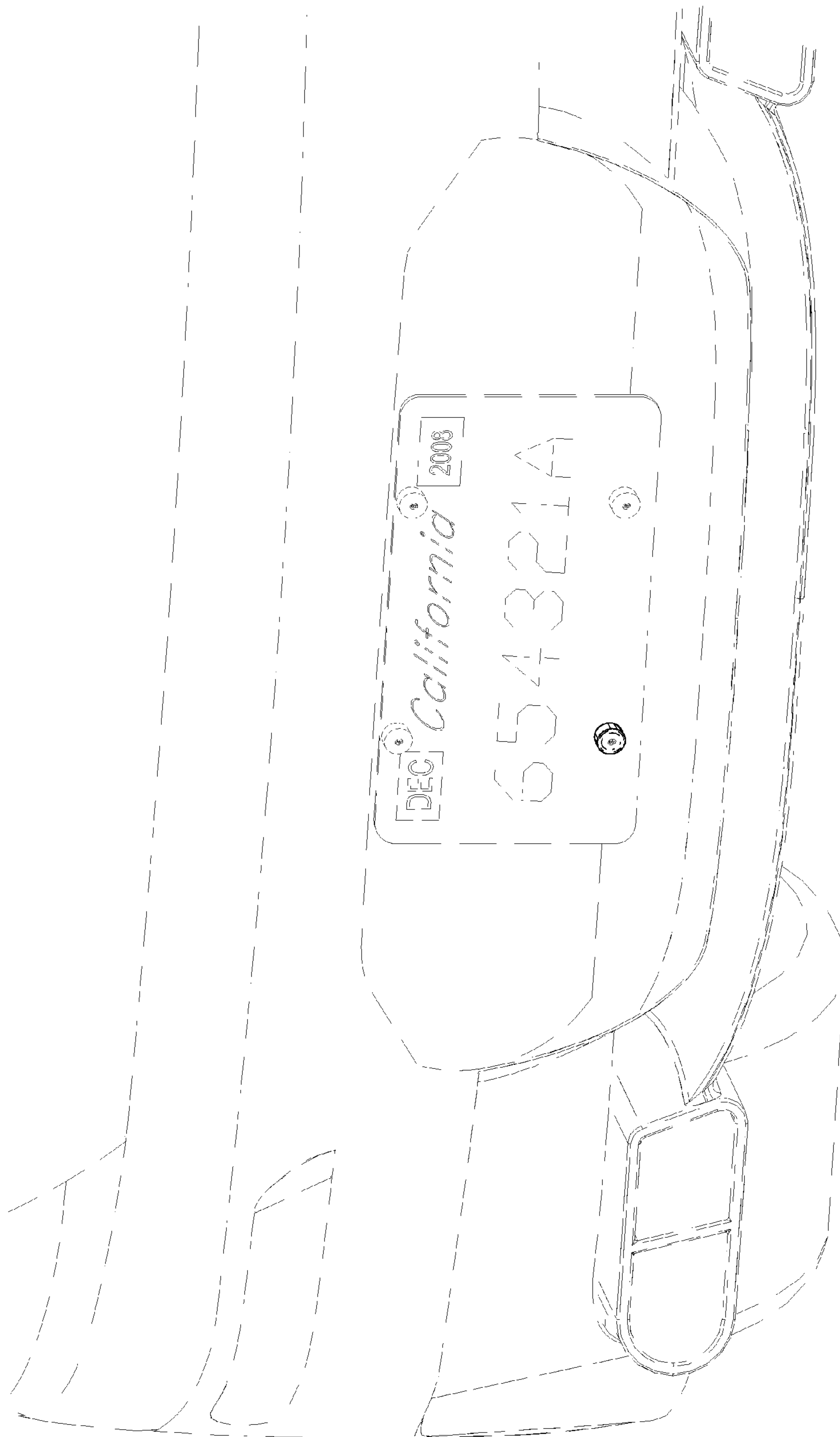


FIG. 14