



US00D608625S

(12) **United States Design Patent**
Mercado

(10) **Patent No.:** **US D608,625 S**
(45) **Date of Patent:** **** Jan. 26, 2010**

(54) **CORBEL**

(76) Inventor: **Luis A. Mercado**, 11361 Trade Ct.,
Jacksonville, FL (US) 32256

(**) Term: **14 Years**

(21) Appl. No.: **29/333,913**

(22) Filed: **Mar. 17, 2009**

(51) **LOC (9) Cl.** **08-05**

(52) **U.S. Cl.** **D8/380**

(58) **Field of Classification Search** D8/403,
D8/381, 380, 373, 363, 354, 349; D6/574,
D6/573, 572; 52/712-715, 665, 506.06;
292/346; 248/265, 247, 243, 235, 200; 108/85;
D25/119, 102, 112, 126, 141
See application file for complete search history.

(56) **References Cited**

U.S. PATENT DOCUMENTS

D275,178 S * 8/1984 Yeater D8/380
D287,817 S * 1/1987 Henin D8/380
5,076,648 A 12/1991 Makainai

D334,163 S 3/1993 McVey
D339,735 S 9/1993 Brennan
D347,379 S * 5/1994 Alt D8/367
D367,001 S 2/1996 Bright
D517,402 S * 3/2006 Cairns D8/381
D533,445 S * 12/2006 Janzen D8/380
2008/0017777 A1 1/2008 Jones

* cited by examiner

Primary Examiner—Susan Bennett Hattan

(57) **CLAIM**

The ornamental design for a corbel, as shown and described.

DESCRIPTION

FIG. 1 is a bottom, rear, and right perspective view of a corbel showing our new design;

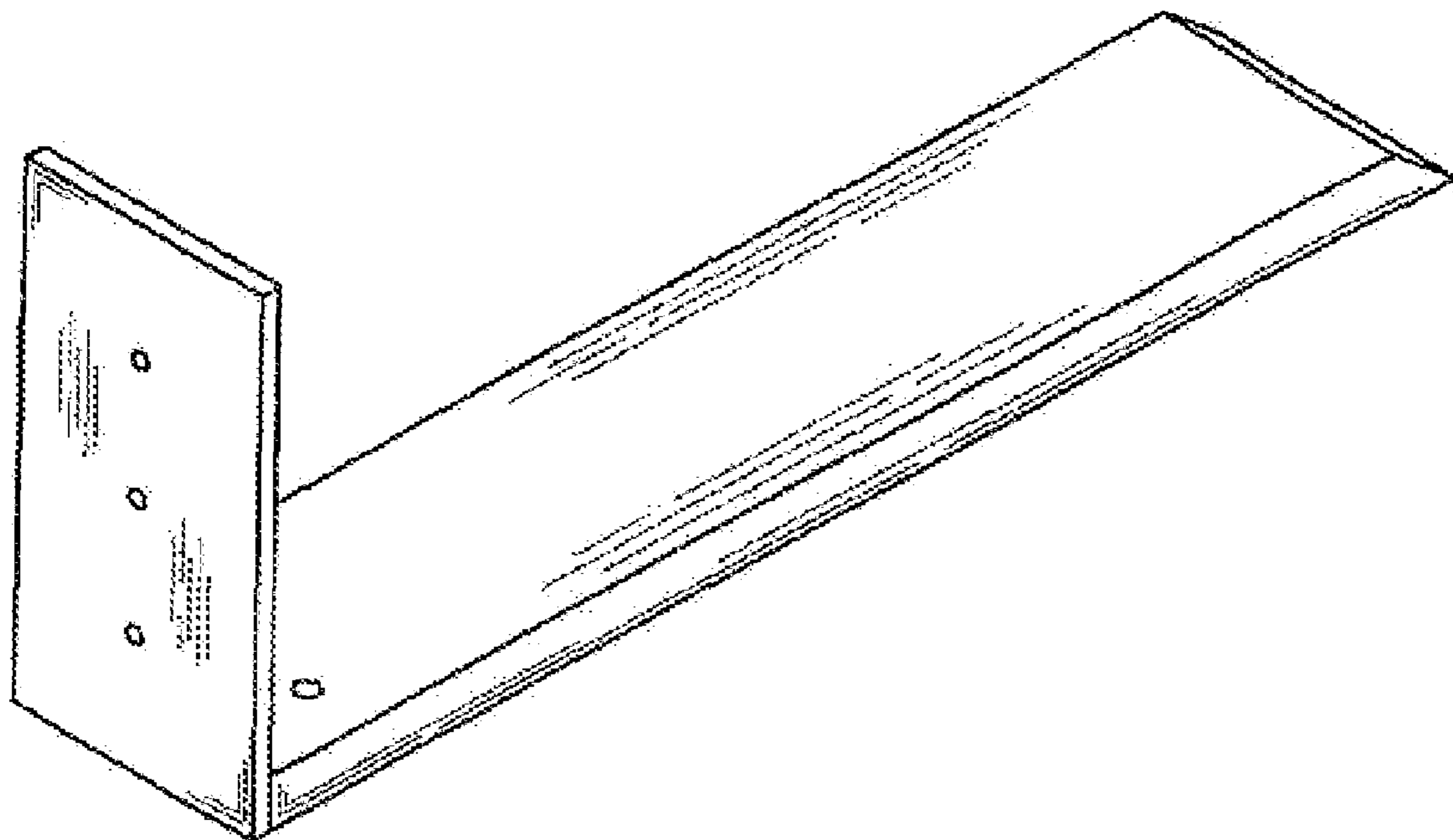
FIG. 2 is a bottom, rear, and left perspective view thereof;

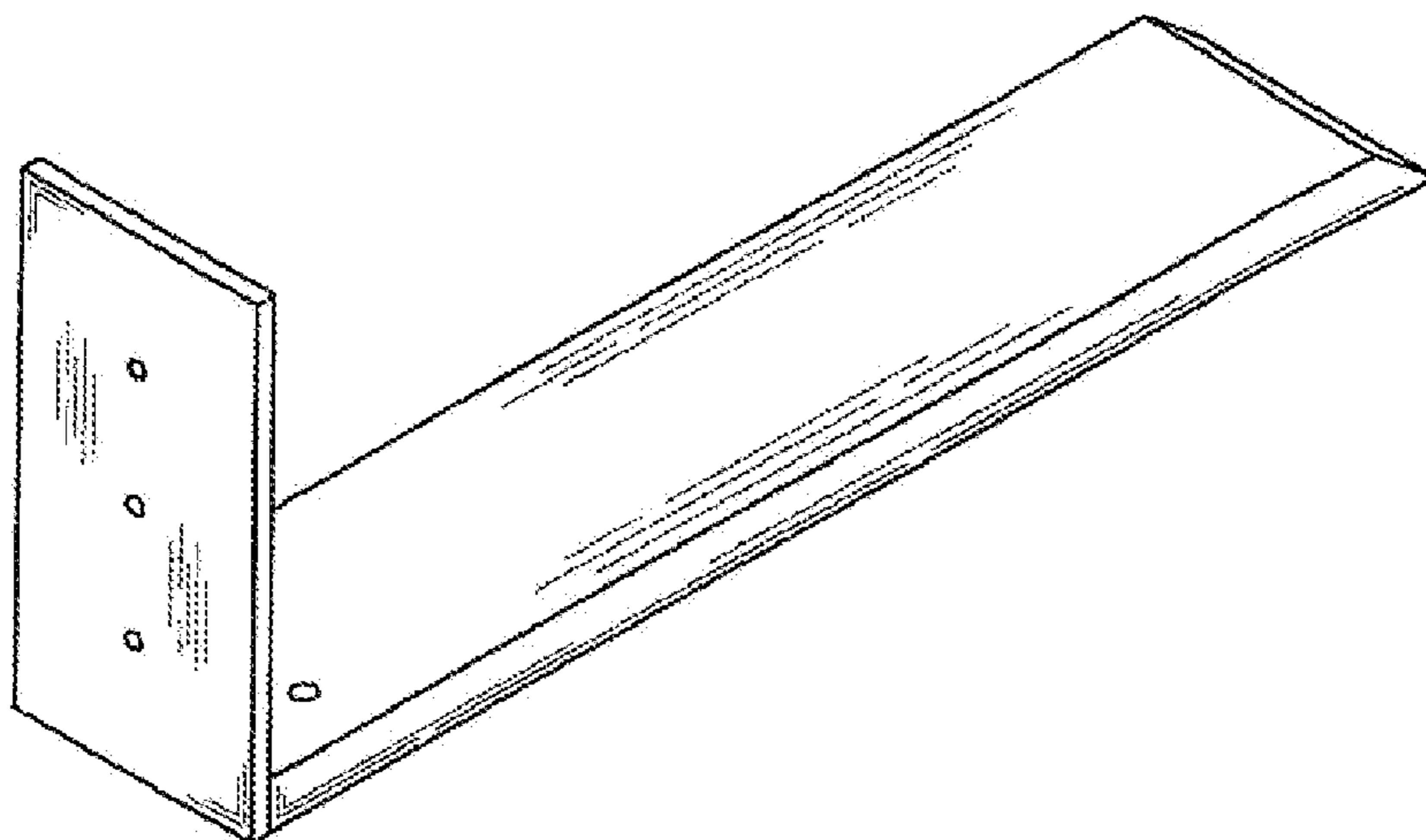
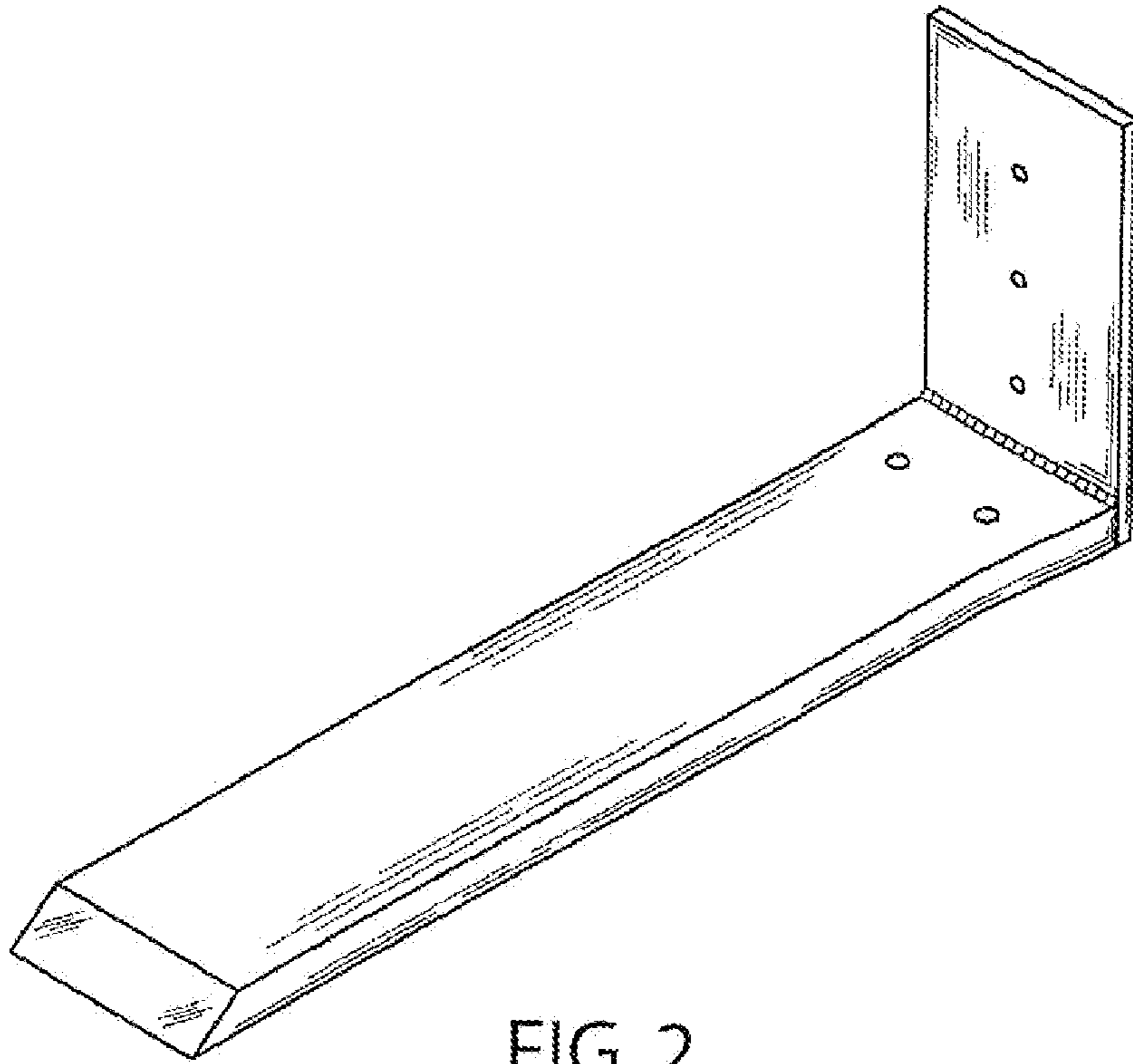
FIG. 3 is a right side view thereof, the left side being a mirror image;

FIG. 4 is an overhead view thereof; and,

FIG. 5 is a rear view thereof.

1 Claim, 2 Drawing Sheets





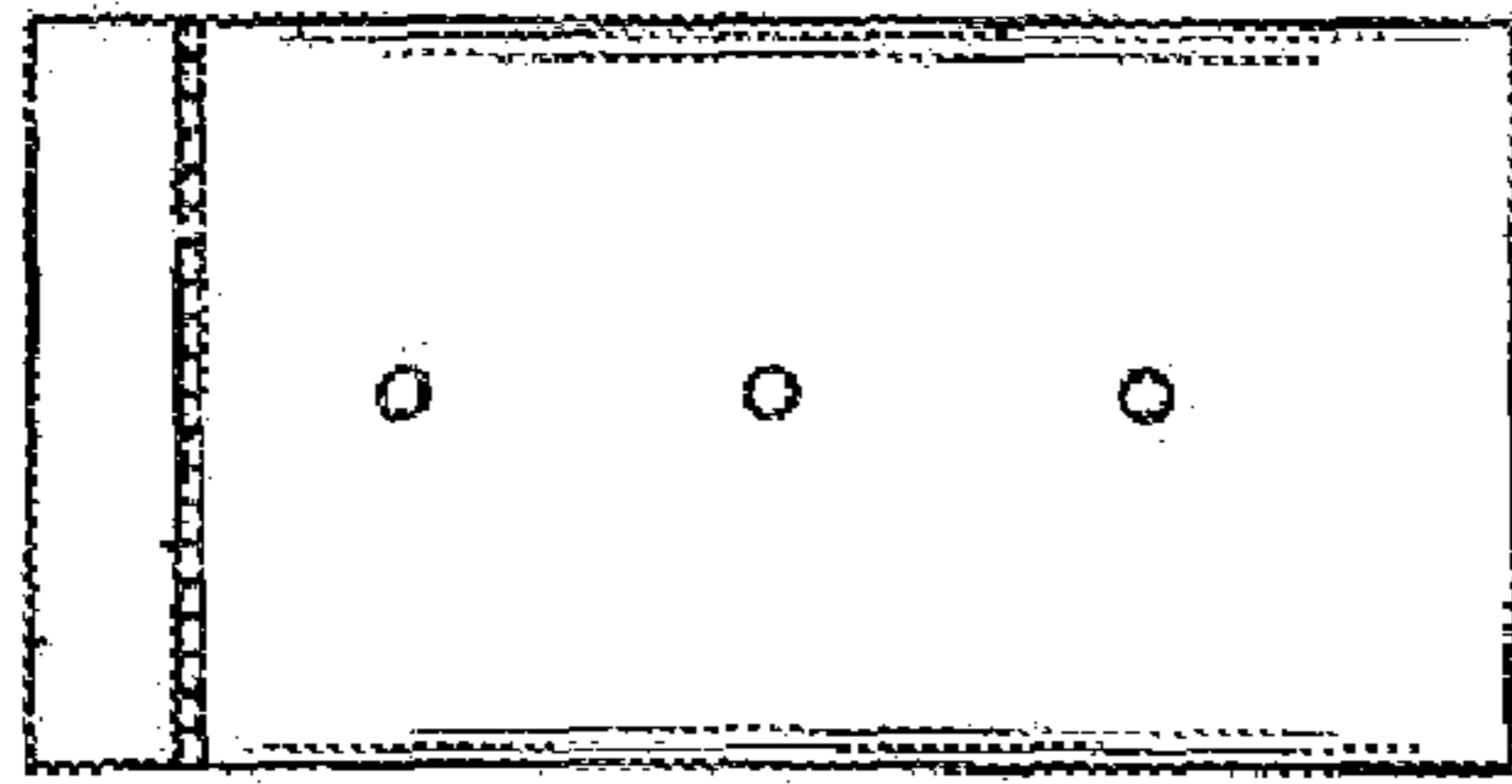


FIG. 5

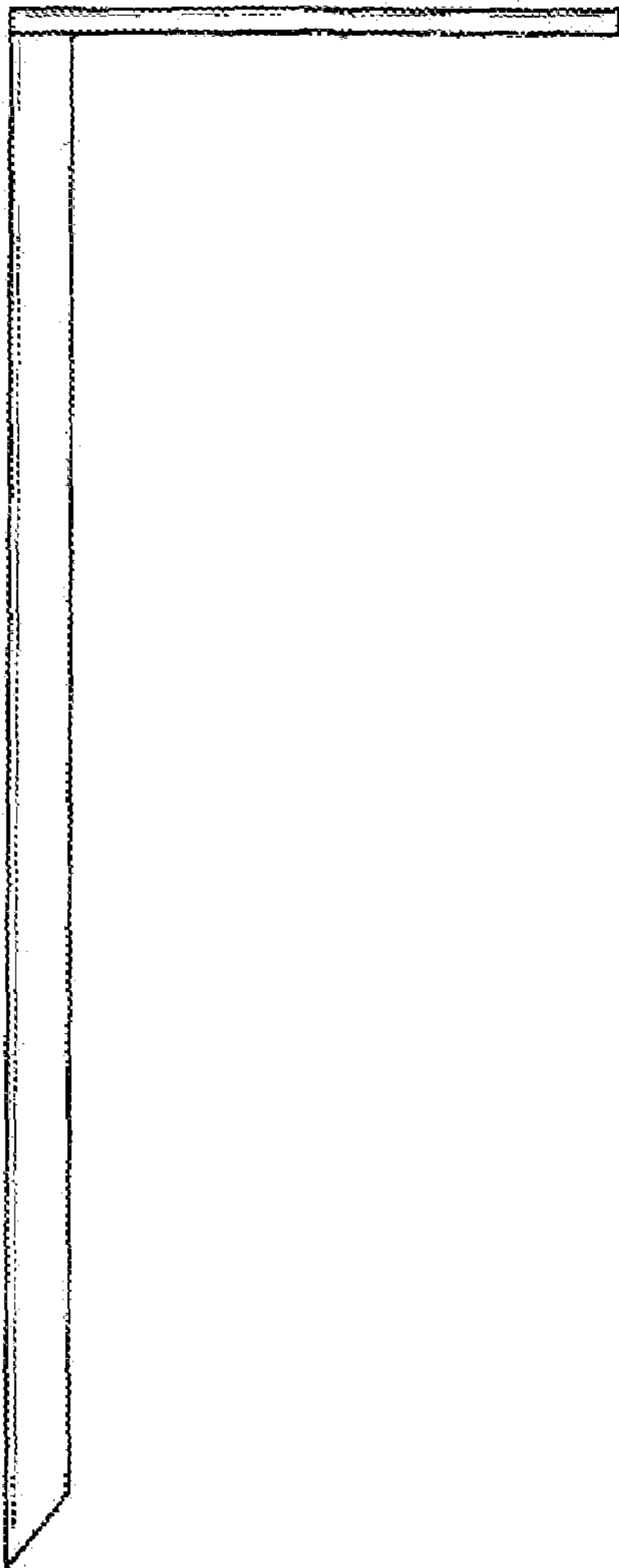


FIG. 3

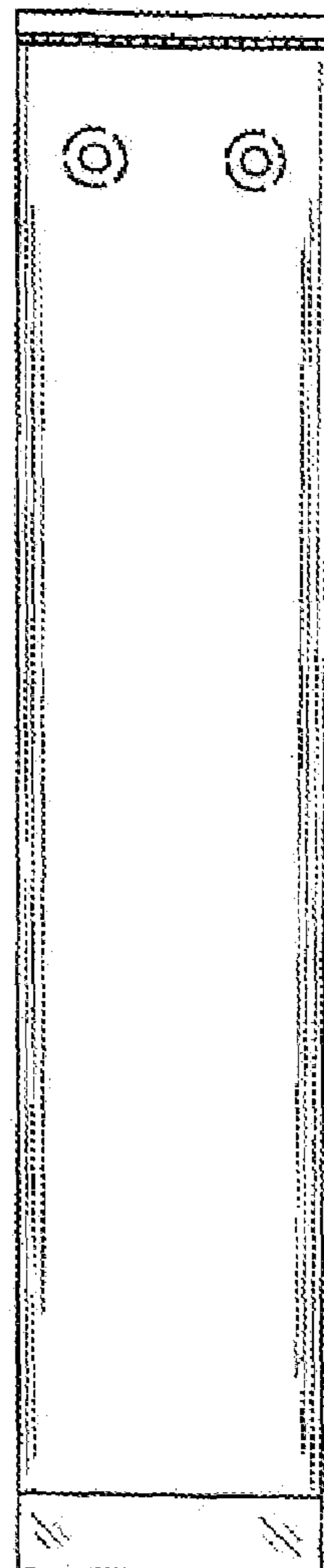


FIG. 4