

US00D608620S

(12) **United States Design Patent**
Morgenroth

(10) **Patent No.:** **US D608,620 S**
(45) **Date of Patent:** **** Jan. 26, 2010**

(54) **ADJUSTABLE HANGING DEVICE**
(75) Inventor: **James A. Morgenroth**, Racine, WI (US)
(73) Assignee: **Adjustable Picture Hook, LLC**,
Racine, WI (US)
(**) Term: **14 Years**
(21) Appl. No.: **29/317,729**
(22) Filed: **May 6, 2008**

5,048,788 A 9/1991 Lorincz
5,267,718 A 12/1993 Sheehan
5,444,929 A 8/1995 Joseloff
5,480,120 A 1/1996 Bruner
5,507,462 A * 4/1996 Hickey 248/489
5,584,462 A 12/1996 Reese
5,921,518 A 7/1999 Bernardi
6,003,825 A 12/1999 Abernathy
6,032,915 A 3/2000 Brindisi
6,062,525 A 5/2000 Lemire
6,095,479 A 8/2000 Brindisi

(51) **LOC (9) Cl.** **08-03**
(52) **U.S. Cl.** **D8/354**
(58) **Field of Classification Search** D6/553;
D8/349, 354, 367, 384, 391; 248/476, 477,
248/489, 495, 496

See application file for complete search history.

(56) **References Cited**
U.S. PATENT DOCUMENTS

- 125,913 A 4/1872 Thomson
- 820,674 A 5/1906 Sauer et al.
- 2,117,714 A 5/1938 Funk
- 2,463,110 A 3/1949 Johnson
- 2,478,256 A 8/1949 Eysmann
- 2,641,427 A 6/1953 Krogh
- 2,643,840 A 6/1953 Lanman
- 2,696,962 A 12/1954 Goss
- 2,729,411 A 1/1956 Cahill
- 2,757,890 A 8/1956 Strong et al.
- 2,877,972 A 3/1959 Strong et al.
- 2,898,064 A 8/1959 Scott
- 2,931,612 A 4/1960 Graber
- 3,063,666 A 11/1962 Morrison
- 3,112,912 A 12/1963 Alvarez
- 3,294,356 A 12/1966 Sherman
- 3,330,525 A 7/1967 Weinstein
- 3,360,229 A 12/1967 Beyer
- 3,791,709 A 2/1974 Cross
- 3,945,599 A 3/1976 Spier et al.
- 4,212,123 A 7/1980 Robin
- 4,611,780 A 9/1986 Robertson
- 4,645,165 A 2/1987 Raap
- 4,871,140 A 10/1989 Hoskinson et al.

(Continued)

Primary Examiner—Brian N Vinson
(74) *Attorney, Agent, or Firm*—Michael Best & Friedrich
LLP

(57) **CLAIM**

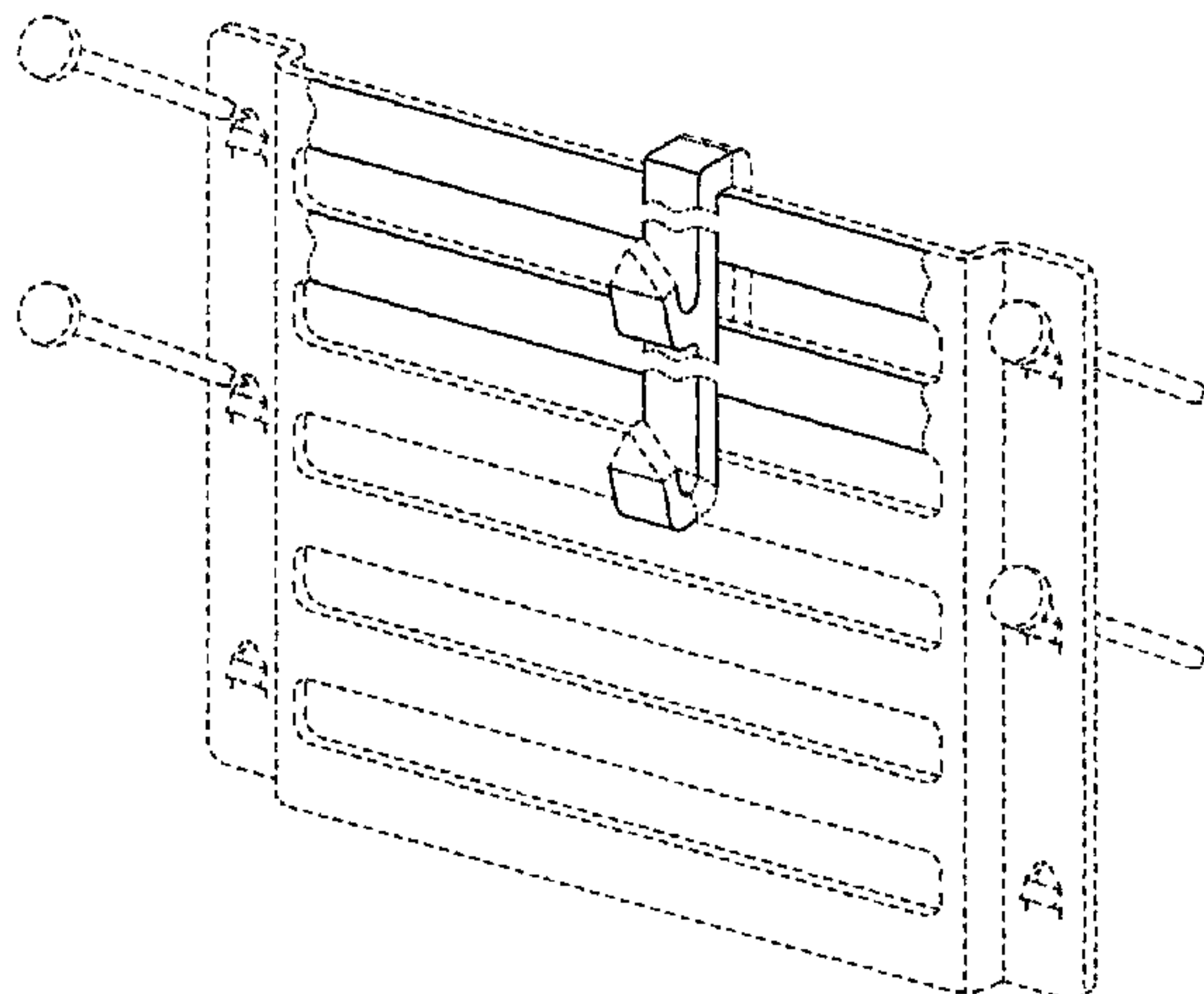
The ornamental design for an adjustable hanging device, as shown and described.

DESCRIPTION

FIG. 1 is a top, front, and right side perspective view of an adjustable hanging device showing my new design;
FIG. 2 is a front elevational view thereof;
FIG. 3 is a top plan view thereof;
FIG. 4 is a bottom plan view thereof;
FIG. 5 is a left side elevational view thereof; and,
FIG. 6 is a right side elevational view thereof.

The broken-line disclosure is understood to represent portions of the article in which the claimed design is embodied, but which form no part of the claimed design, as well as environment shown for illustrative purposes only. Portions of the article are shown broken away to indicate unclaimed length, and broken lines along the edge of a claimed surface are understood to represent an unclaimed boundary between claimed and unclaimed areas.

1 Claim, 4 Drawing Sheets



US D608,620 S

Page 2

U.S. PATENT DOCUMENTS

6,152,418 A	11/2000	Panicci	6,550,739 B1	4/2003	Brindisi
6,241,210 B1	6/2001	Brindisi	6,557,813 B1	5/2003	Duggan
6,435,462 B2	8/2002	Hawes	6,572,067 B1	6/2003	Kamenstein et al.
			D511,677 S *	11/2005	DeBiasio et al. D8/354

* cited by examiner

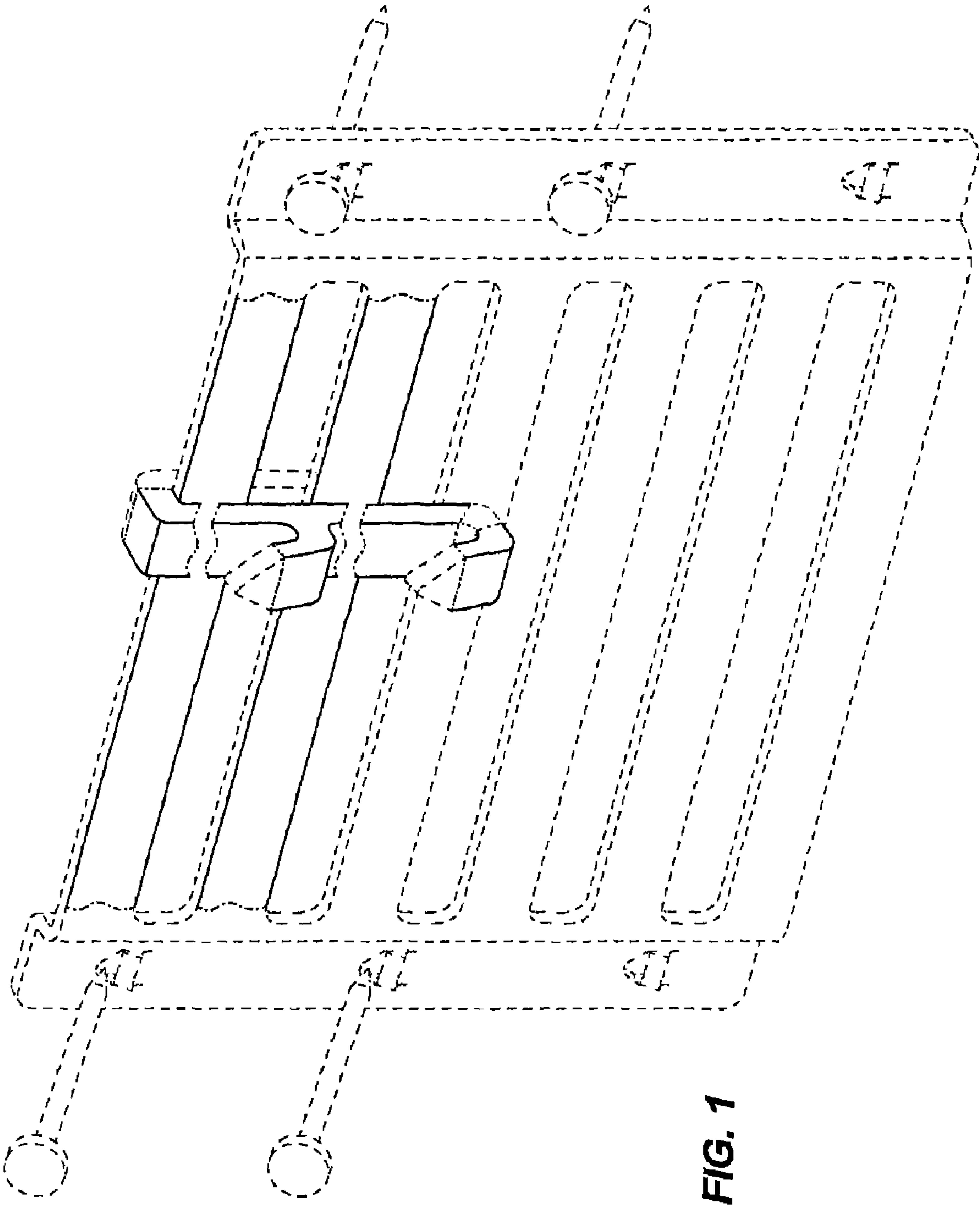


FIG. 1

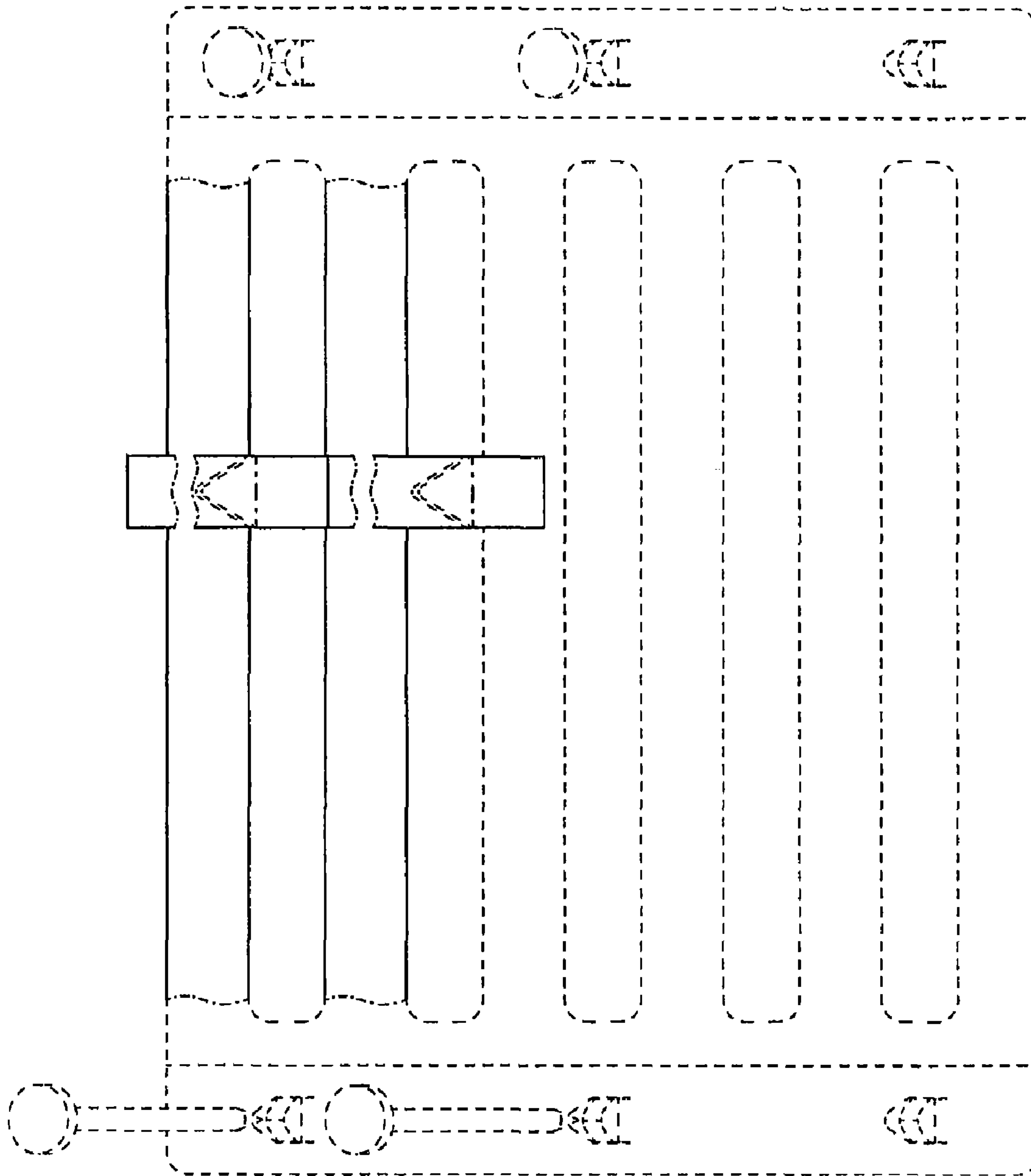


FIG. 2

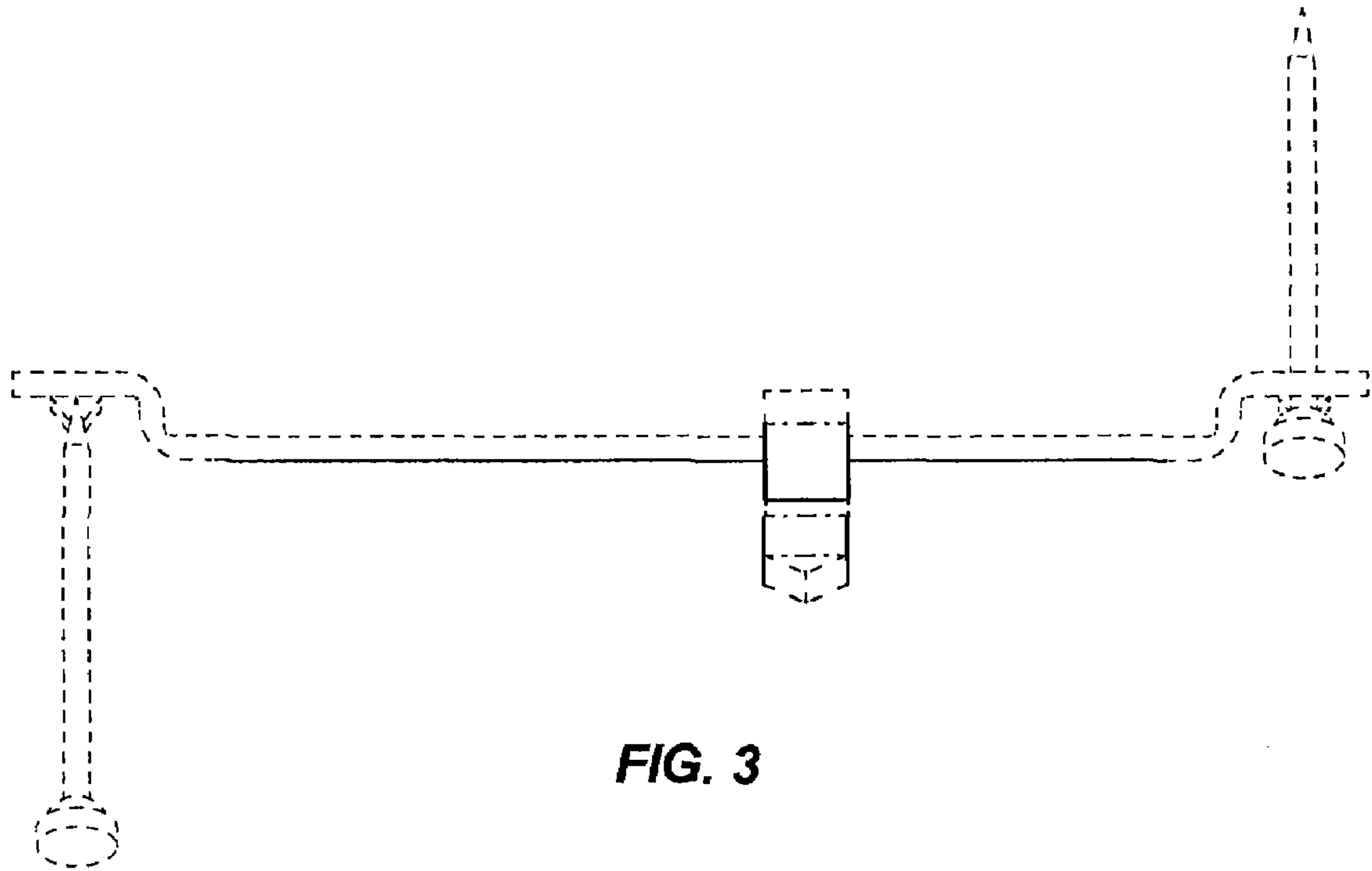


FIG. 3

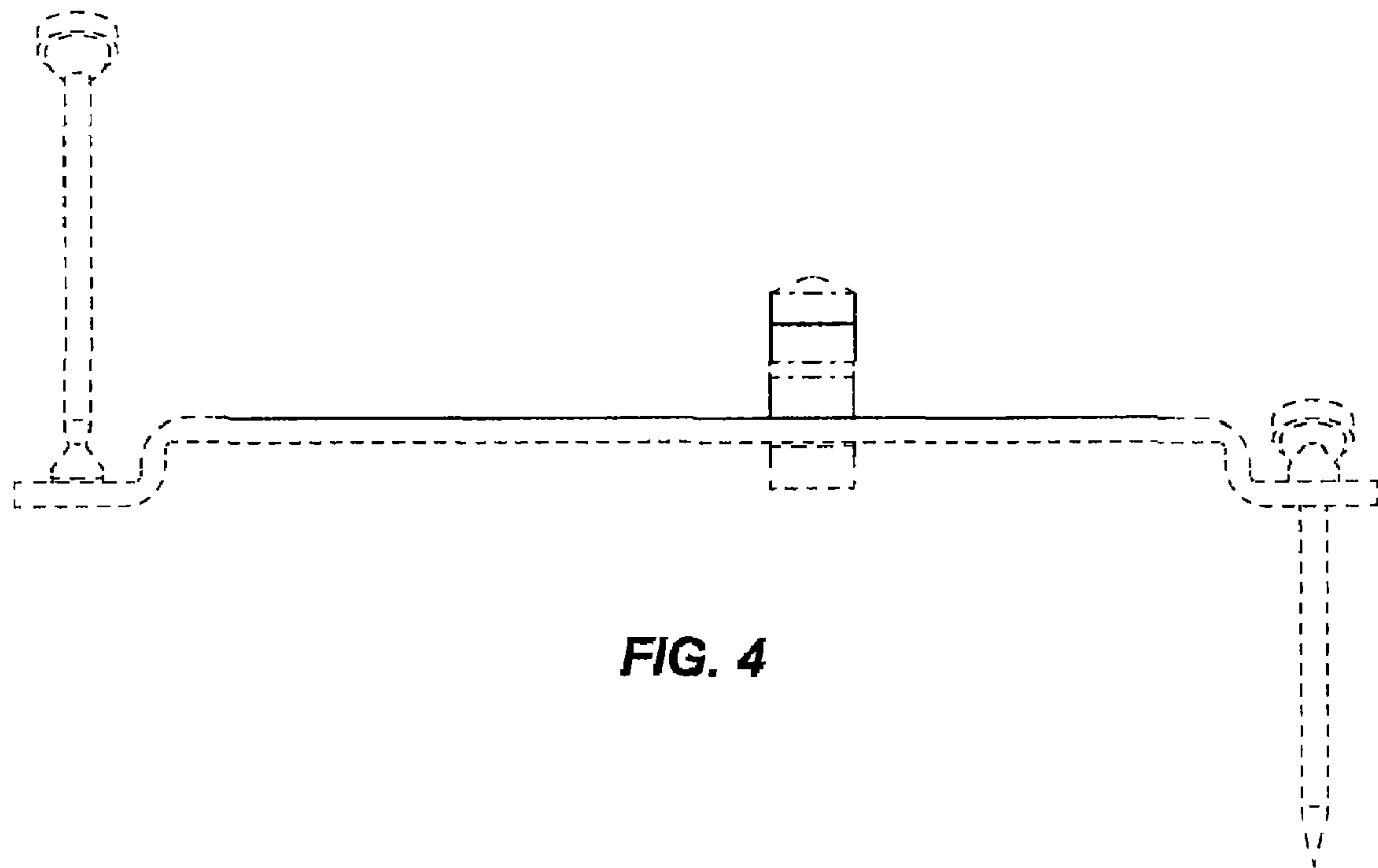


FIG. 4

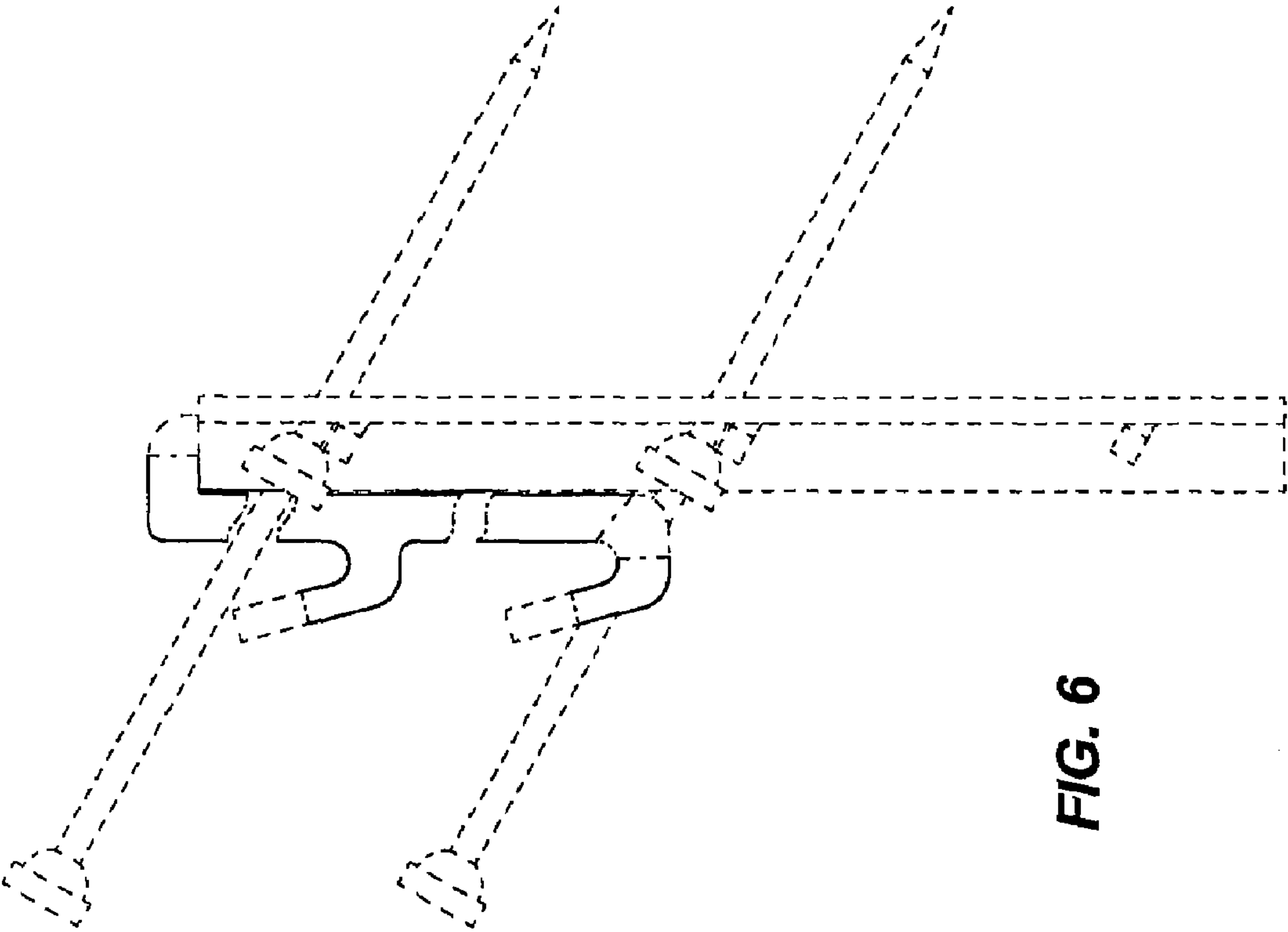


FIG. 6

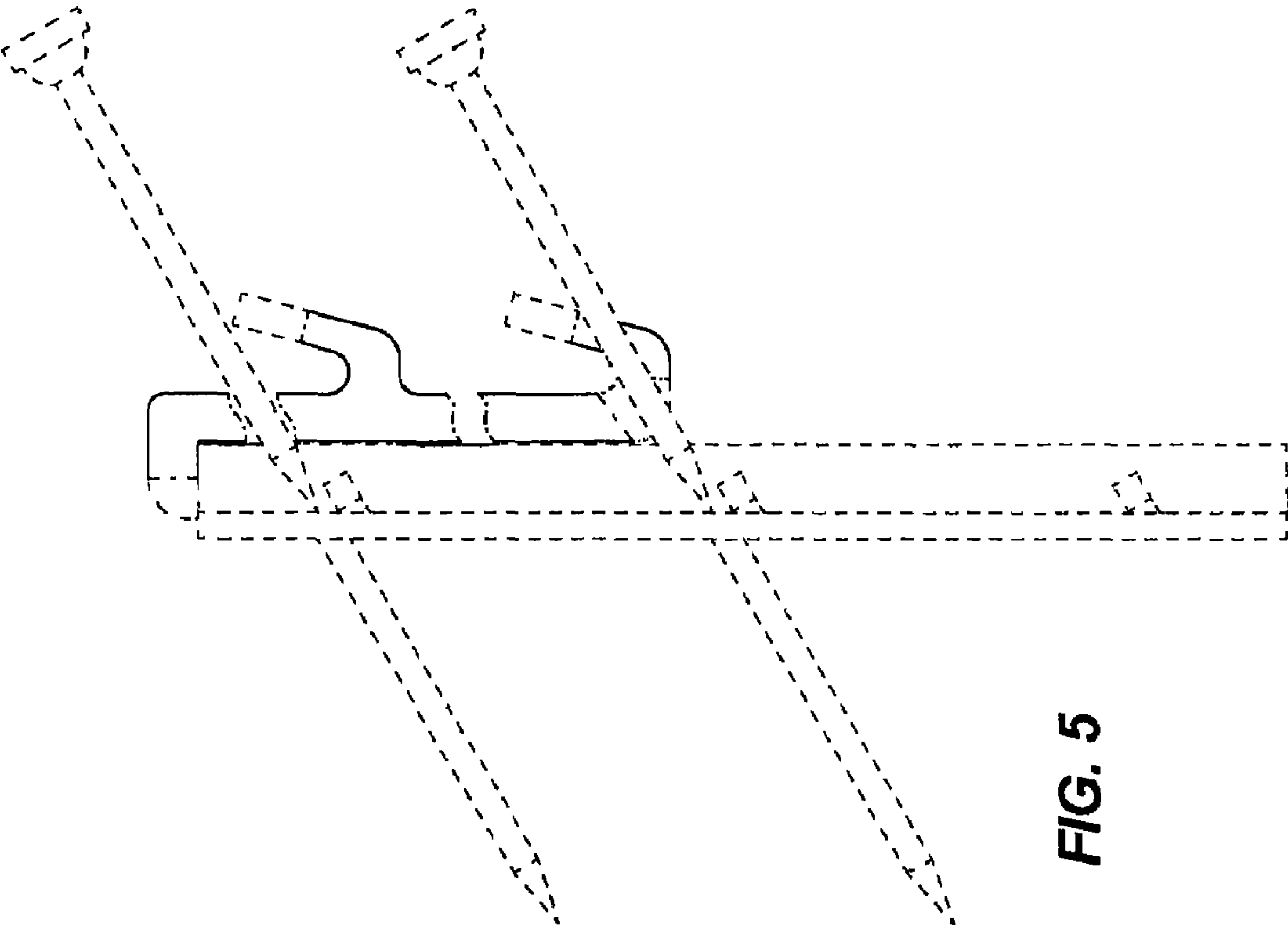


FIG. 5