



US00D608619S

(12) **United States Design Patent**
Gulbrandsen et al.

(10) **Patent No.:** **US D608,619 S**
(45) **Date of Patent:** **** Jan. 26, 2010**

(54) **BRIDGE APPARATUS USEFUL FOR CEILING GRID SYSTEMS**

(75) Inventors: **Peder Gulbrandsen**, Aurora, IL (US);
Peter Groza, Round Lake Beach, IL (US);
Gregory Ahren, Avon Lake, OH (US);
John Bankston, Amherst, OH (US)

(73) Assignee: **USG Interiors, Inc.**, Chicago, IL (US)

(**) Term: **14 Years**

(21) Appl. No.: **29/317,075**

(22) Filed: **Apr. 22, 2008**

(51) **LOC (9) Cl.** **08-05**

(52) **U.S. Cl.** **D8/354**

(58) **Field of Classification Search** D8/349,
D8/354, 373; D25/58; 52/105, 220.6, 232,
52/506.3, 506.6–506.9, 665–668

See application file for complete search history.

(56) **References Cited**

U.S. PATENT DOCUMENTS

- 4,027,454 A * 6/1977 Schuplin 52/506.07
- 4,549,383 A * 10/1985 Vukmanic et al. 52/667
- 4,715,161 A * 12/1987 Carraro et al. 52/665
- 5,137,390 A * 8/1992 Felsen 403/347
- 5,839,246 A * 11/1998 Ziegler et al. 52/506.07

- 6,341,466 B1 * 1/2002 Kehoe et al. 52/712
- D500,666 S * 1/2005 Murphy et al. D8/354
- D500,667 S * 1/2005 Murphy et al. D8/354
- 6,971,210 B2 * 12/2005 Kliegle et al. 52/506.07
- D557,117 S * 12/2007 Cannaverde D8/354
- 7,374,057 B2 * 5/2008 Hendrickson et al. 248/906
- 7,552,567 B2 * 6/2009 Ingratta et al. 52/506.07

* cited by examiner

Primary Examiner—Holly H Baynham

Assistant Examiner—Cynthia M Chin

(74) *Attorney, Agent, or Firm*—Pradip Sahu, Esq.; David F. Janci, Esq.; Philip T. Petti, Esq.

(57) **CLAIM**

The ornamental design for a bridge apparatus useful for ceiling grid systems, as shown and described.

DESCRIPTION

FIG. 1 is a perspective view of a bridge apparatus showing our new design;

FIG. 2 is a back view of same;

FIG. 3 is a front view of same;

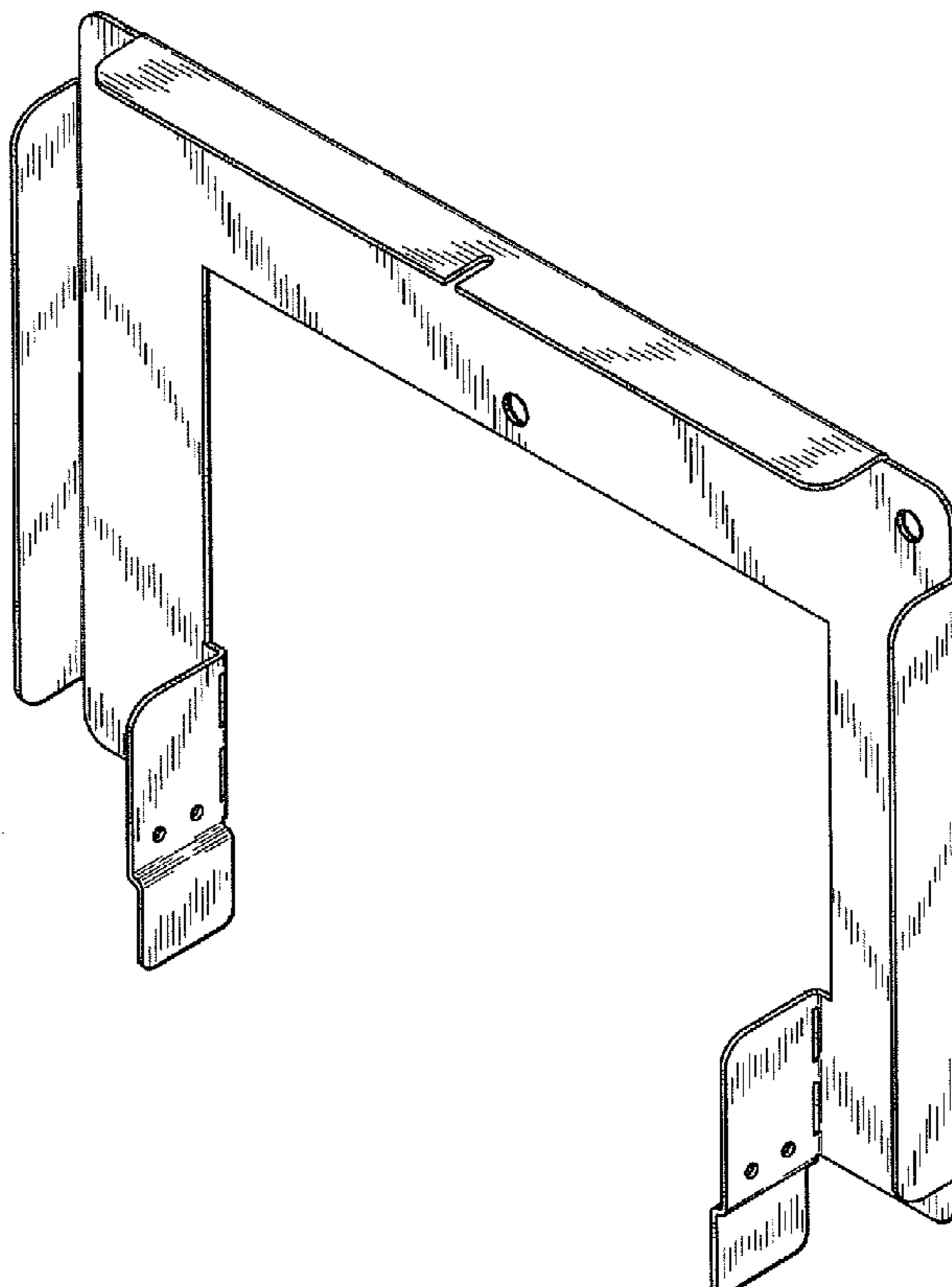
FIG. 4 is a right side view of same;

FIG. 5 is a left side view of same;

FIG. 6 is a top view of same; and,

FIG. 7 is a bottom view of same.

1 Claim, 4 Drawing Sheets



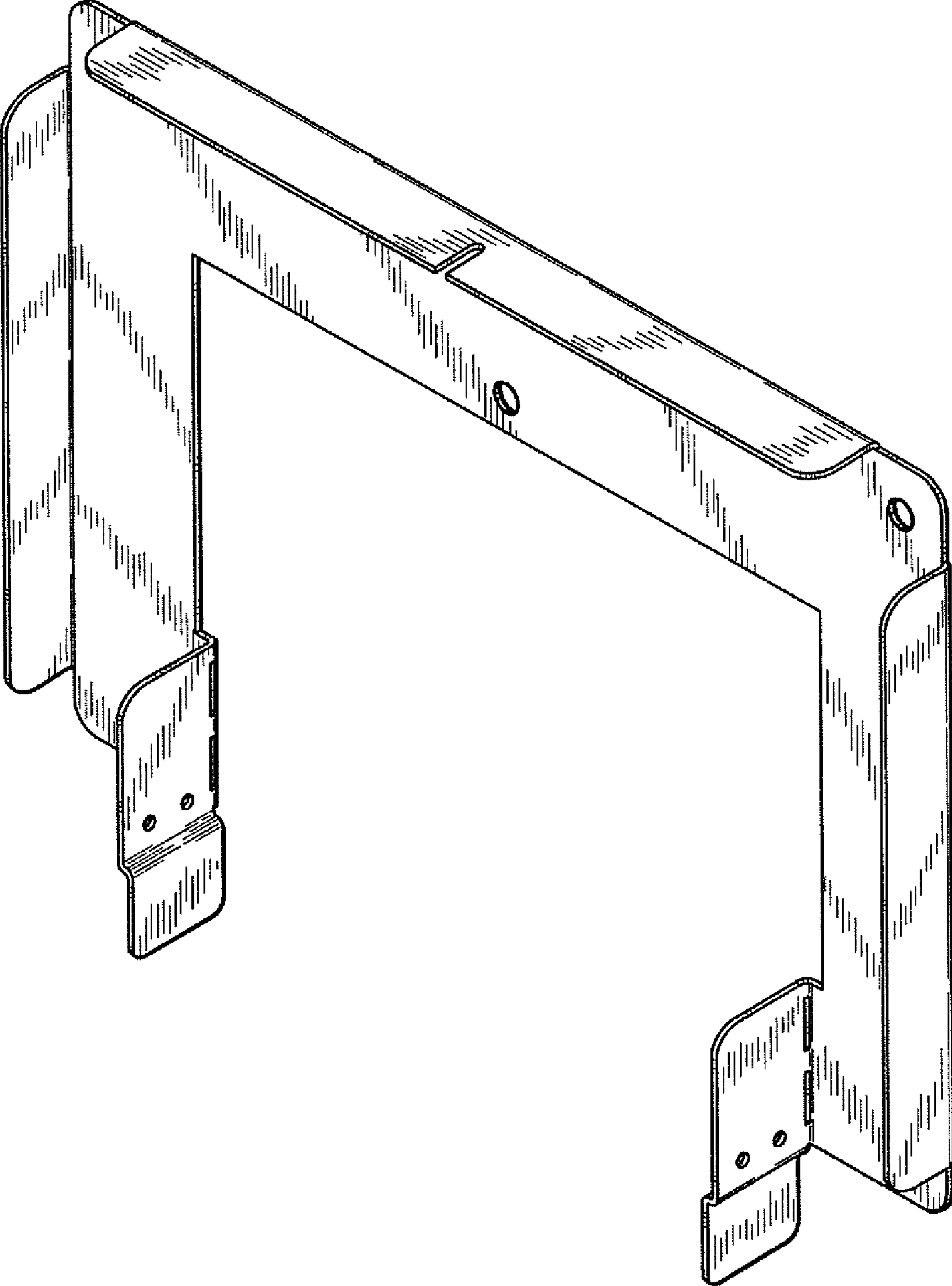


FIG. 1

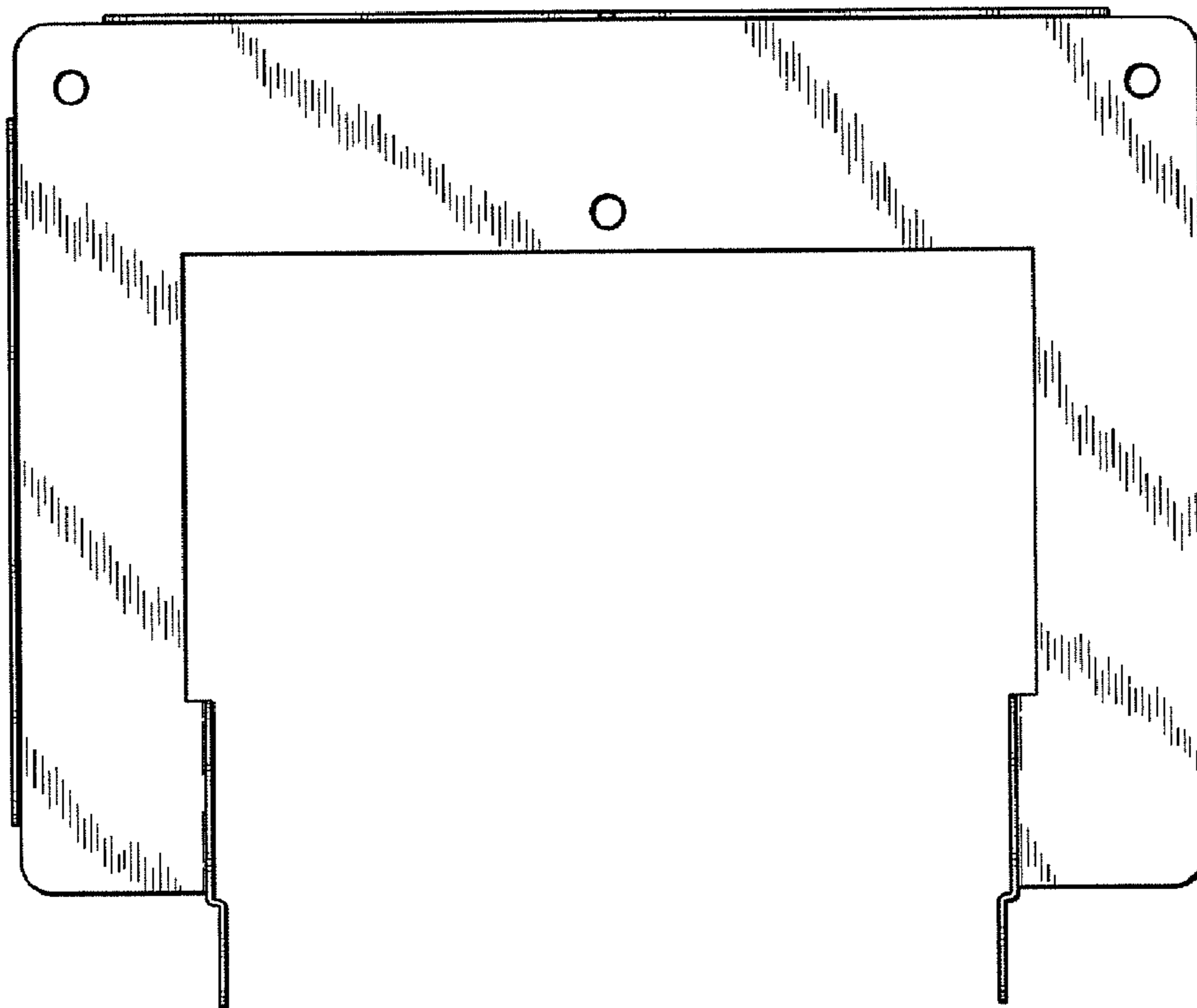


FIG. 2

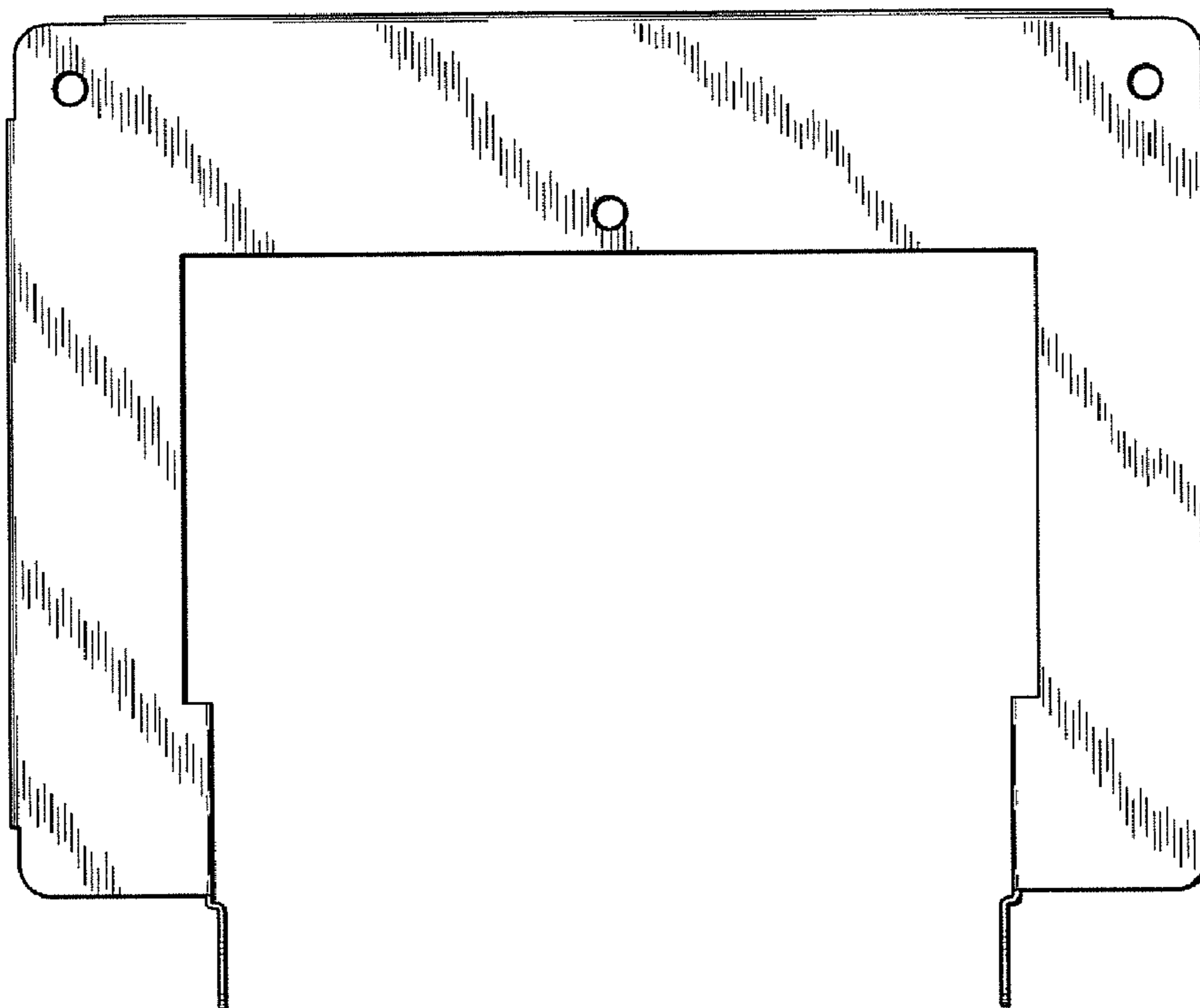


FIG. 3

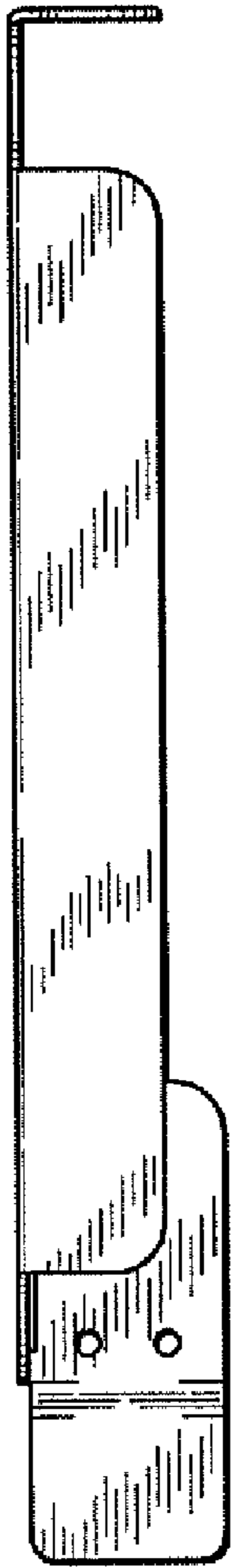


FIG. 4

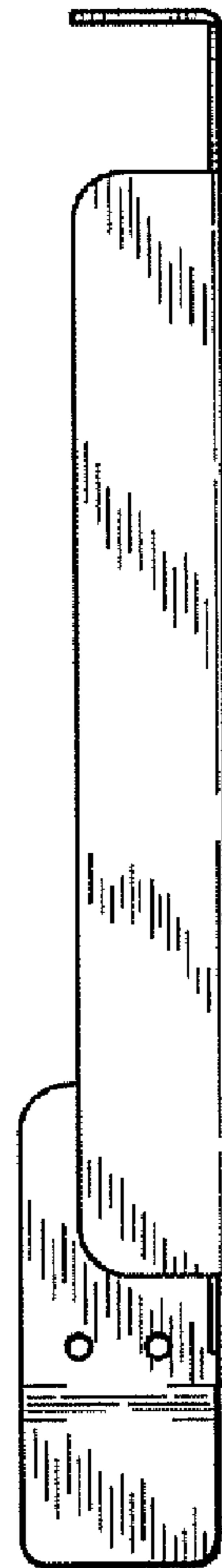


FIG. 5

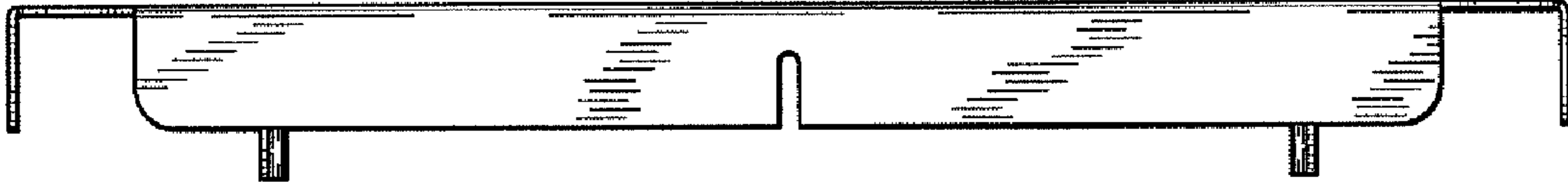


FIG. 6

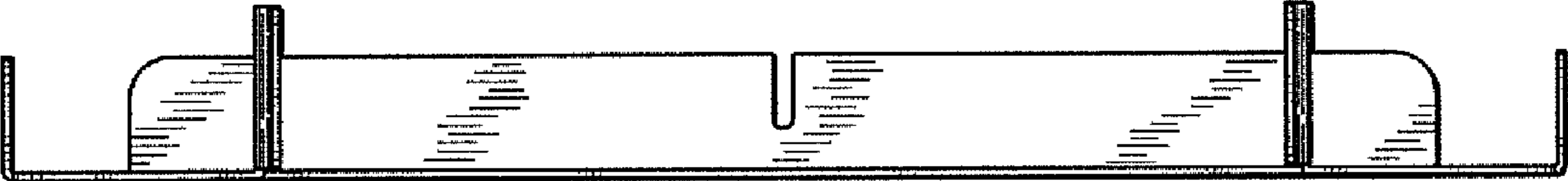


FIG. 7