



US00D608617S

(12) **United States Design Patent**
Junior

(10) **Patent No.:** **US D608,617 S**
(45) **Date of Patent:** **** Jan. 26, 2010**

(54) **GLAD HAND LOCKING DEVICE**

(76) Inventor: **Kenneth D. Junior**, 6012 Kevin Way,
Matteson, IL (US) 60443

(**) Term: **14 Years**

(21) Appl. No.: **29/335,890**

(22) Filed: **Apr. 23, 2009**

(51) **LOC (9) Cl.** **08-07**

(52) **U.S. Cl.** **D8/331**

(58) **Field of Classification Search** D8/330,
D8/331, 339, 343, 349; 70/14, 57, 237, 258,
70/431, 432, 163, 169, DIG. 48; 280/607,
280/420

See application file for complete search history.

(56) **References Cited**

U.S. PATENT DOCUMENTS

3,880,477	A	4/1975	Stevenson et al.	
4,226,103	A	10/1980	Strickland	
4,325,237	A *	4/1982	Menzie	70/14
4,747,623	A	5/1988	Newcomb et al.	
5,076,077	A *	12/1991	Renne	70/14
5,129,243	A	7/1992	Kassebaum	
D334,879	S	4/1993	Few	
5,239,848	A *	8/1993	Nichols, Jr.	70/14
5,332,251	A *	7/1994	Farquhar	280/507
D350,055	S *	8/1994	Few	D8/331

5,410,894	A	5/1995	Fox et al.	
D506,121	S *	6/2005	Falconer et al.	D8/331
7,543,466	B2 *	6/2009	Loughlin et al.	70/8
D596,470	S *	7/2009	Greenly	D8/10

* cited by examiner

Primary Examiner—Prabhakar Deshmukh

(57) **CLAIM**

The ornamental design for a glad hand locking device, as shown and described.

DESCRIPTION

FIG. 1 is an exploded perspective view of a glad hand locking device showing my new design;

FIG. 2 is a front view thereof;

FIG. 3 is a back view thereof;

FIG. 4 is a side view thereof;

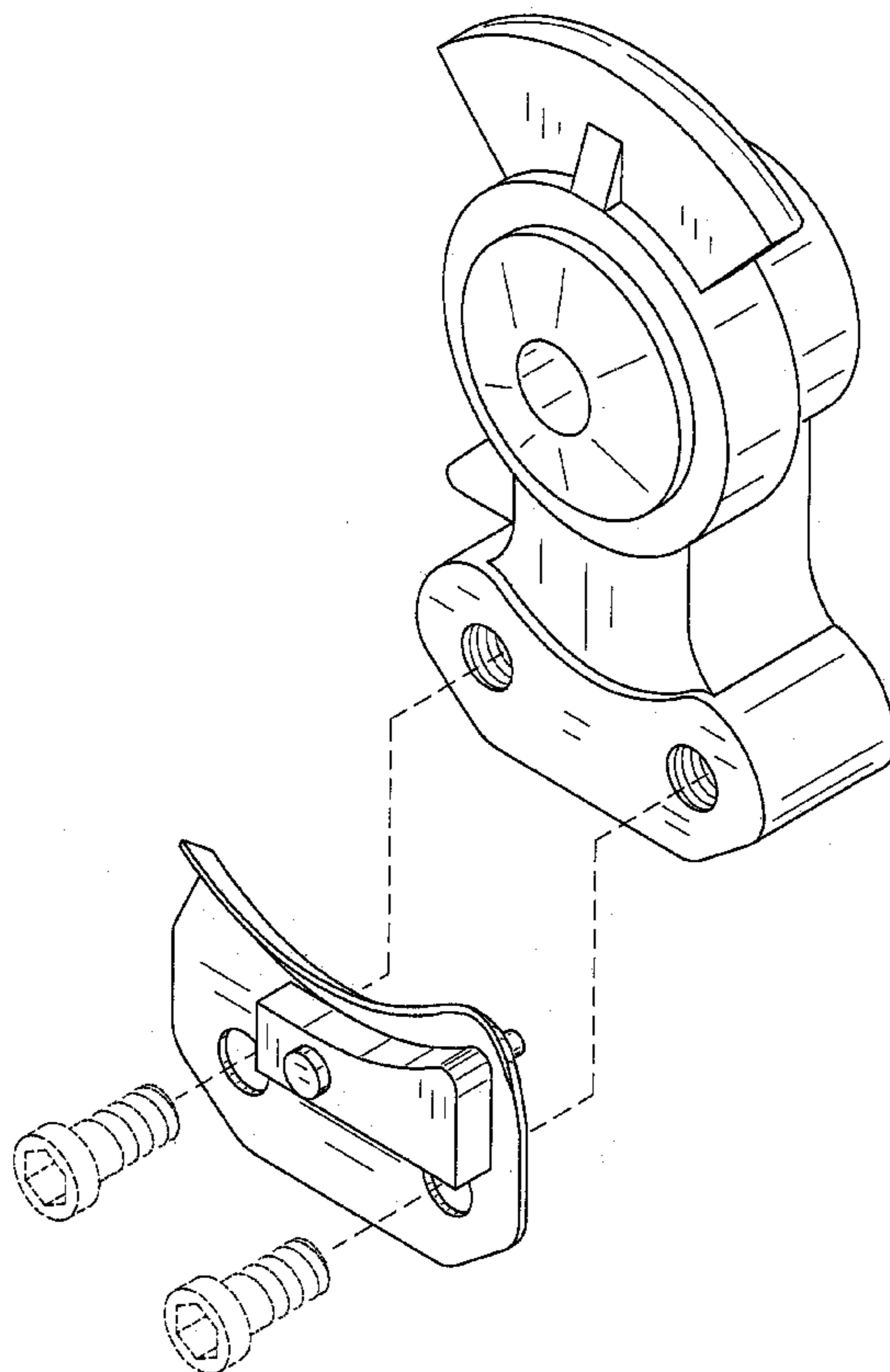
FIG. 5 is an opposite side view thereof;

FIG. 6 is a top view thereof; and,

FIG. 7 is a bottom view thereof.

In FIG. 1, the broken lines showing of environmental structure for purposes of illustrating the glad hand locking device in a condition of use. The broken lines and the structure they depict form no part of the claimed design.

1 Claim, 6 Drawing Sheets



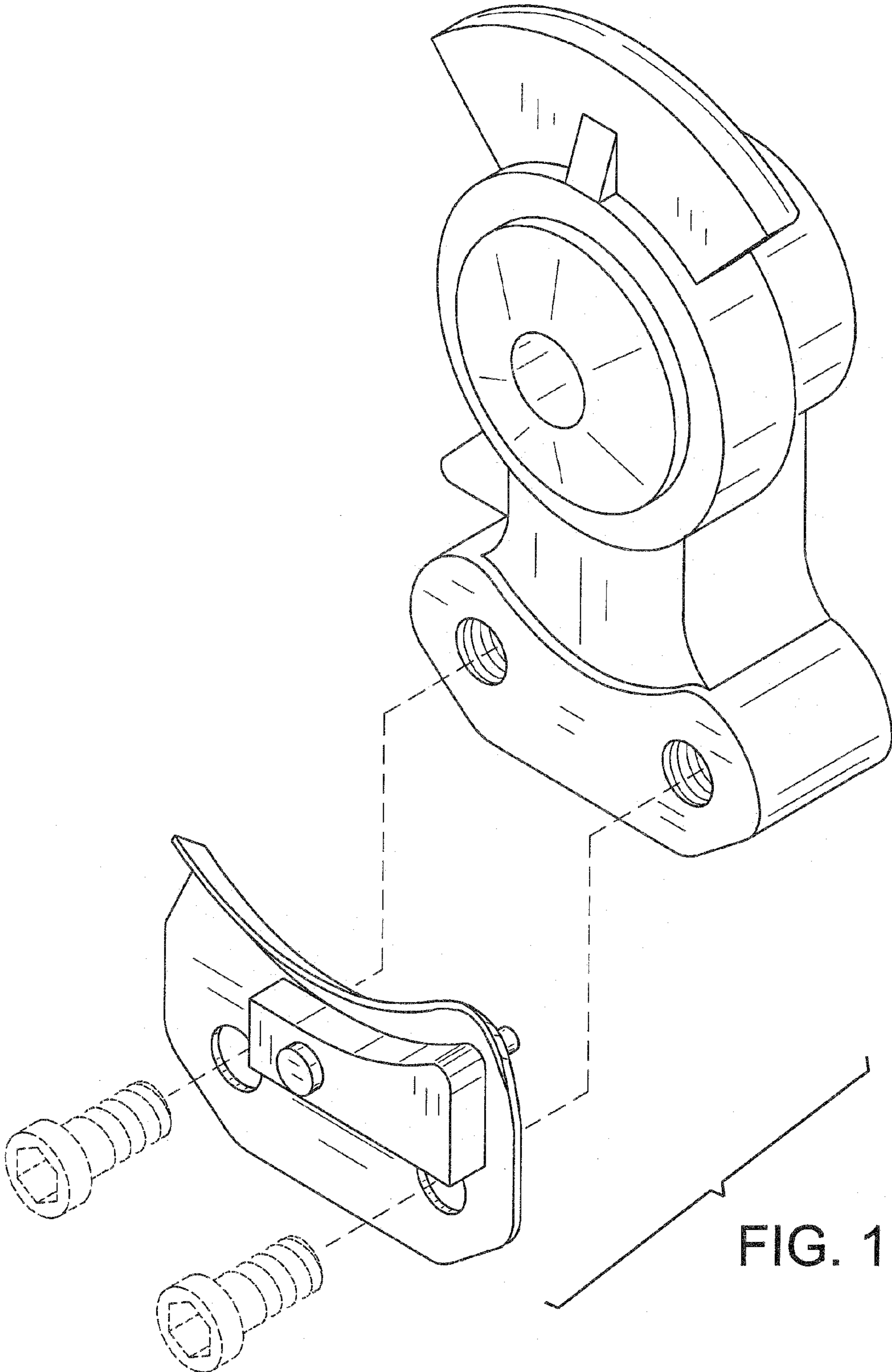


FIG. 2

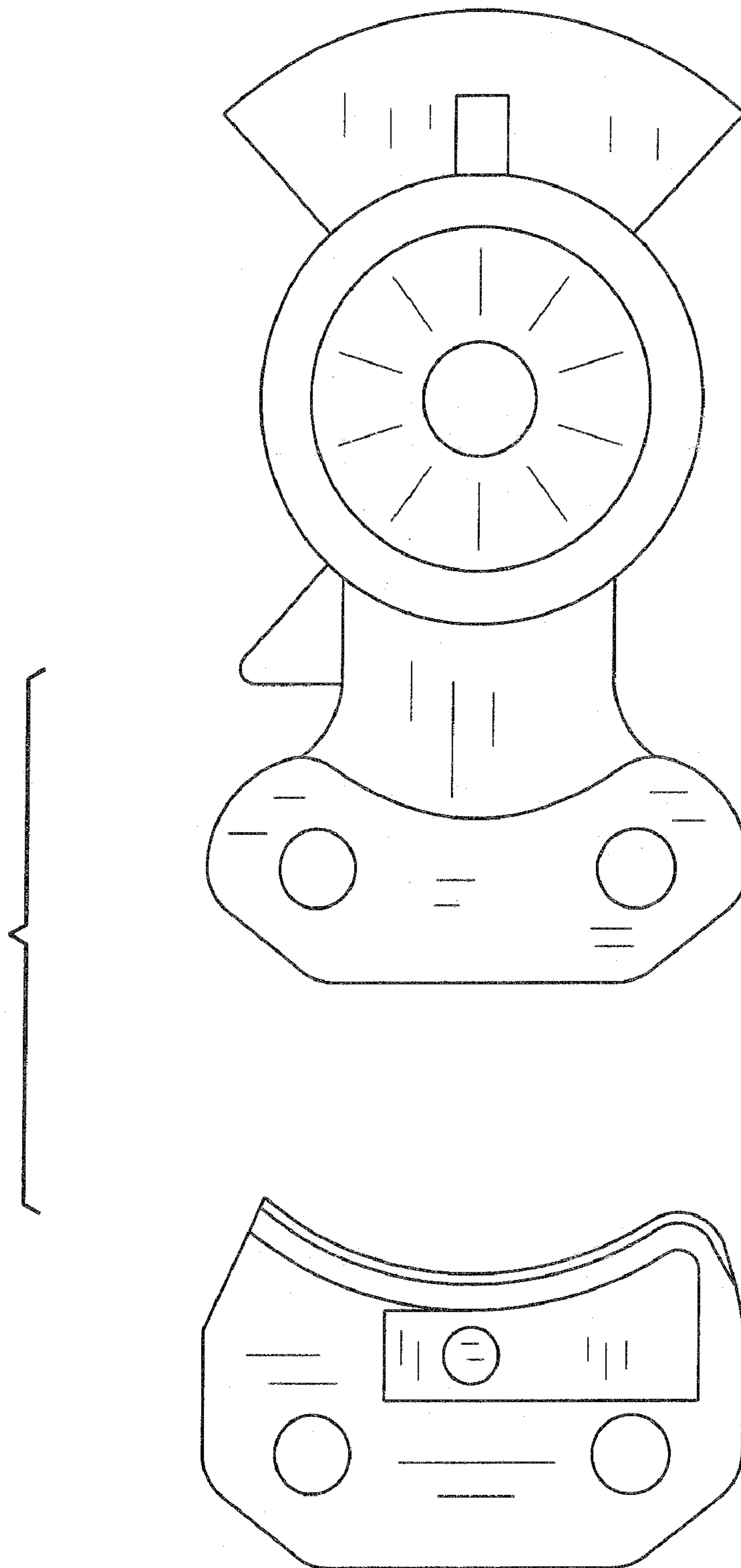


FIG. 3

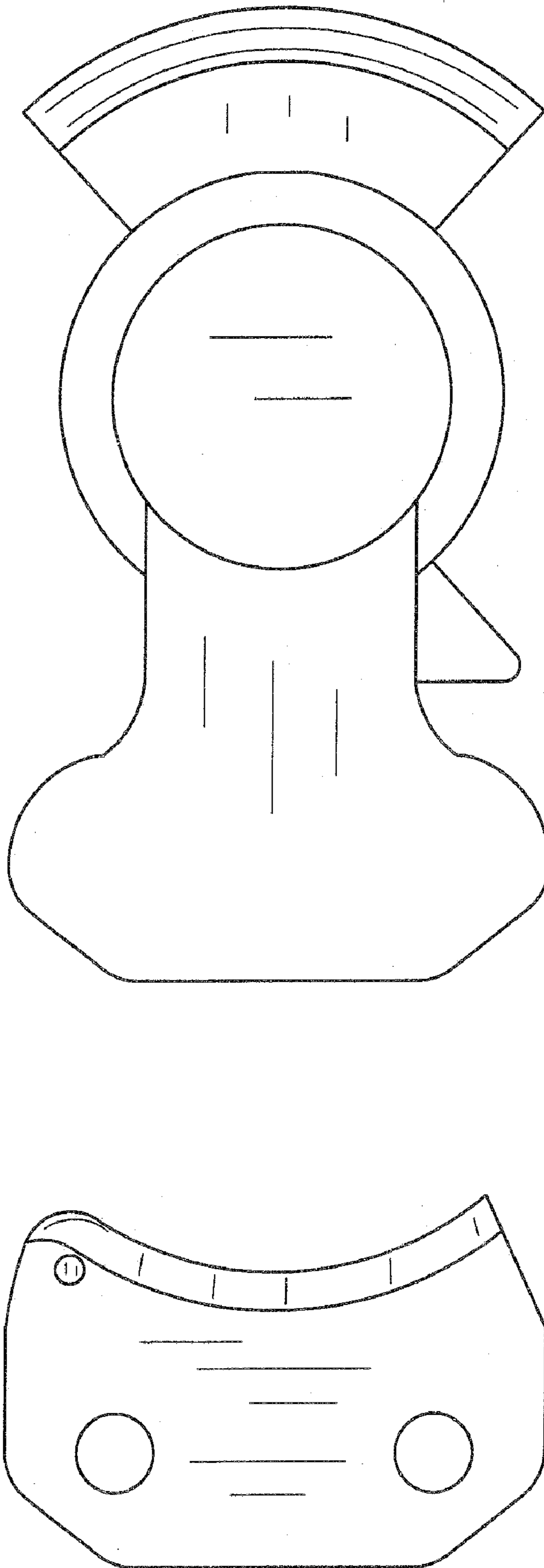


FIG. 4

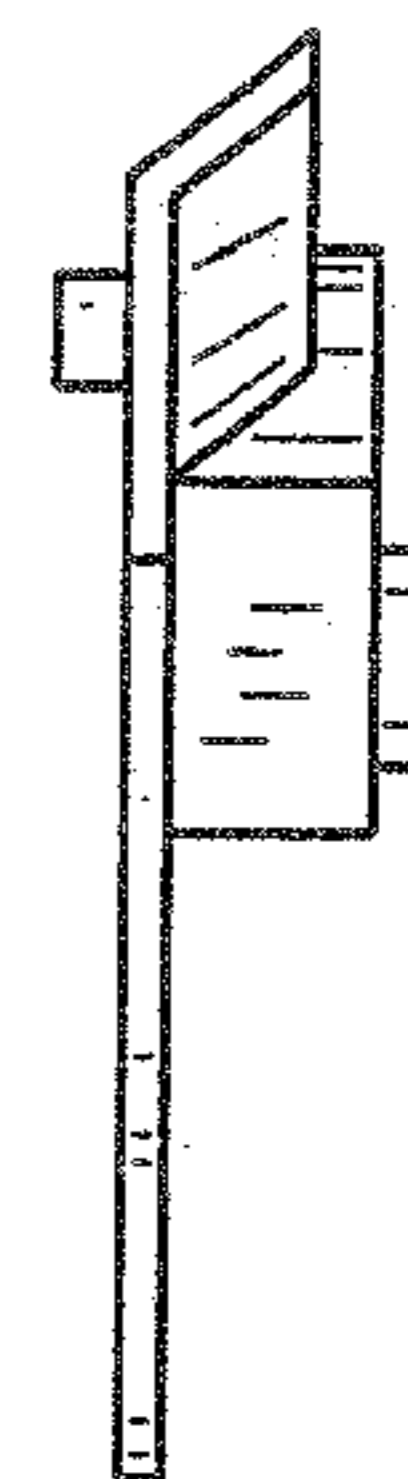
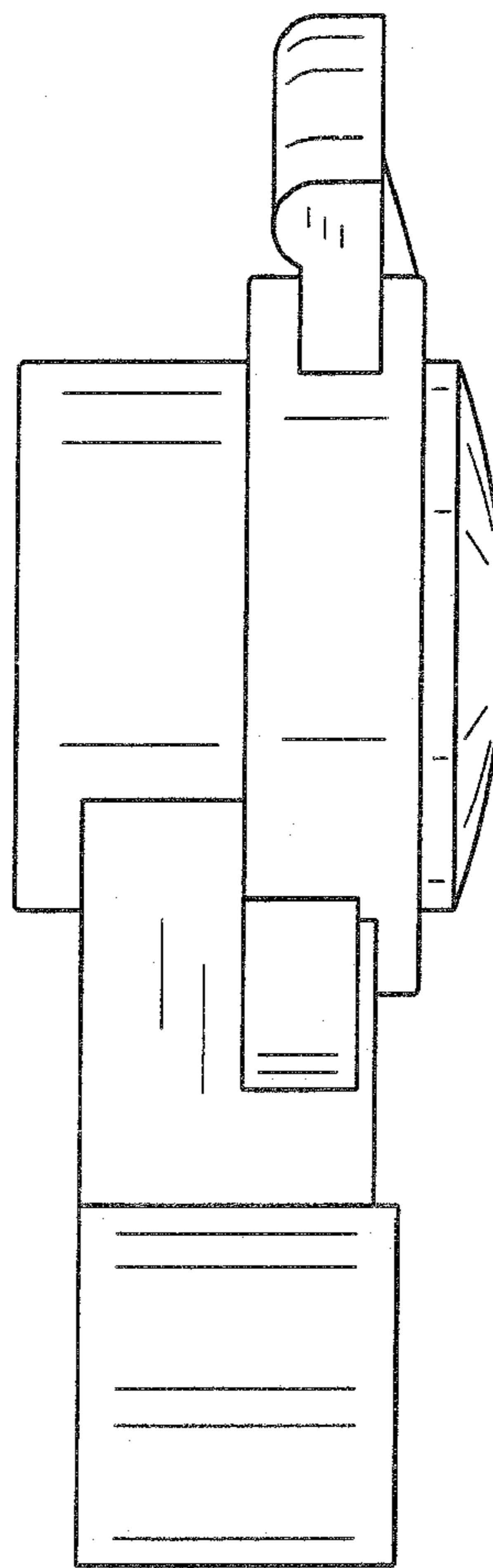


FIG. 5

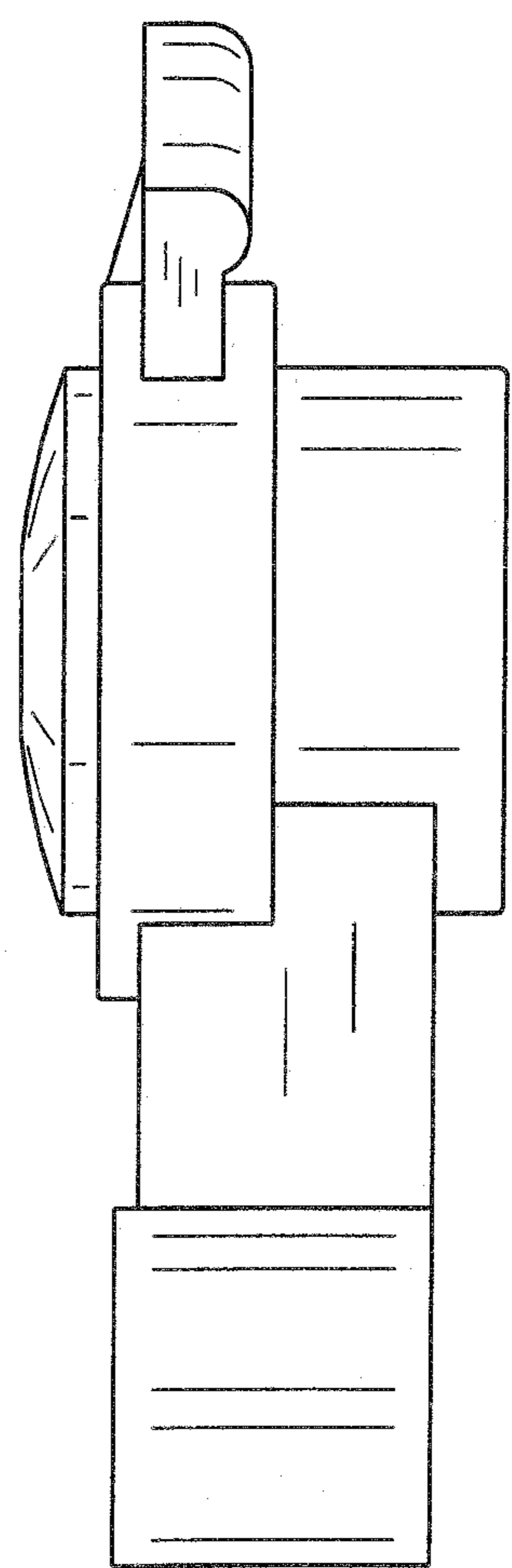
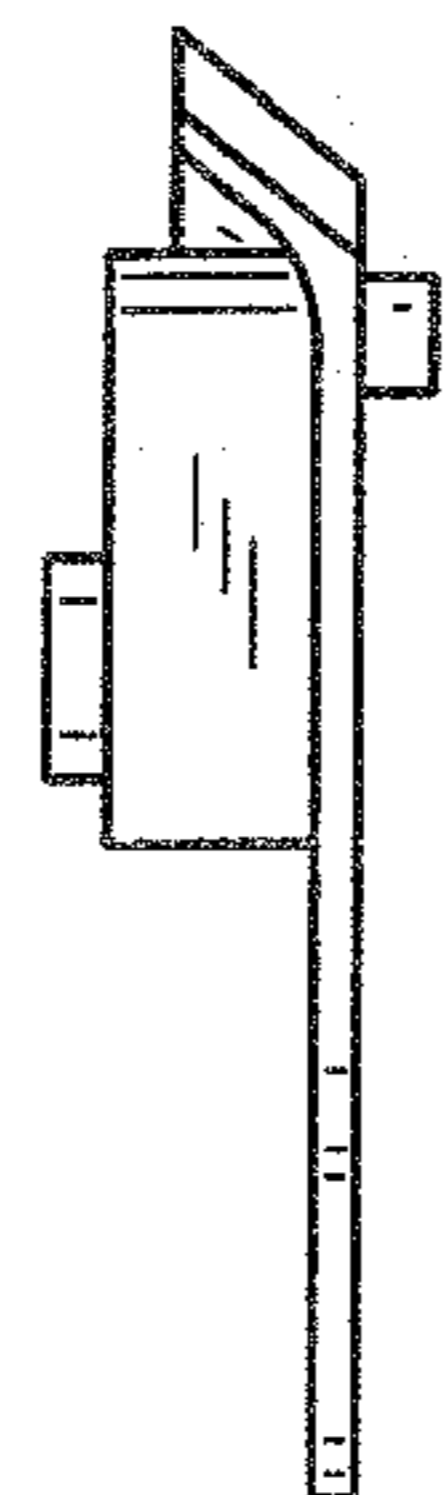


FIG. 6

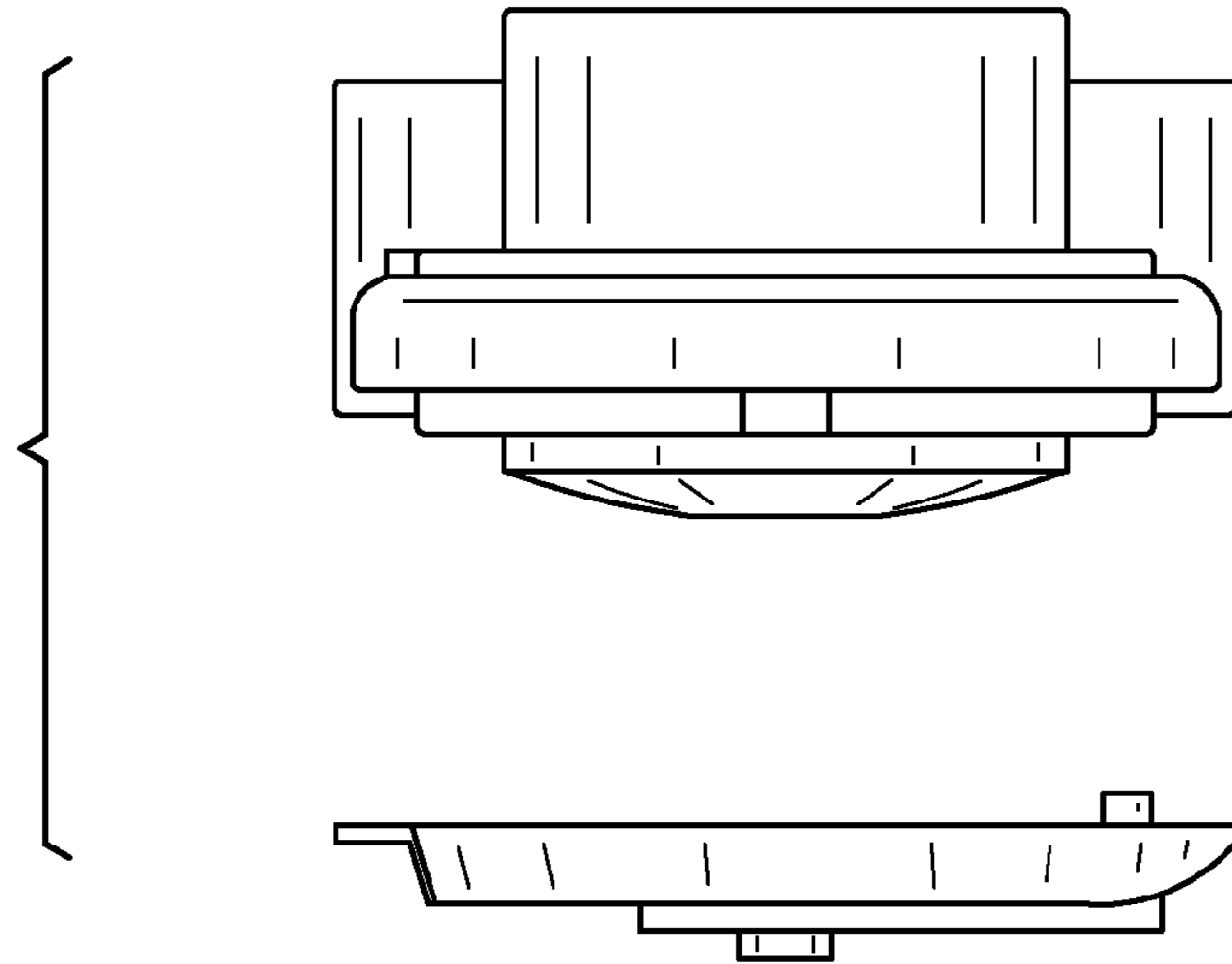


FIG. 7

