



US00D608612S

(12) **United States Design Patent**
Harada

(10) **Patent No.:** **US D608,612 S**
(45) **Date of Patent:** **** Jan. 26, 2010**

(54) **WASTE INK BOX FOR PRINTER**

(75) Inventor: **Shuehei Harada**, Chino (JP)

(73) Assignee: **Seiko Epson Corporation** (JP)

(**) Term: **14 Years**

(21) Appl. No.: **29/310,256**

(22) Filed: **Aug. 4, 2008**

(30) **Foreign Application Priority Data**

Mar. 18, 2008	(JP)	2008-006636
Mar. 18, 2008	(JP)	2008-006637
Mar. 18, 2008	(JP)	2008-006640
Mar. 18, 2008	(JP)	2008-006641
Jun. 9, 2008	(JP)	2008-014615
Jun. 9, 2008	(JP)	2008-014616

(51) **LOC (9) Cl.** **08-05**

(52) **U.S. Cl.** **D8/56**

(58) **Field of Classification Search** D18/14,
D18/18, 40, 43, 50, 56-59, 99; 347/7, 20,
347/29, 30, 32, 33, 50, 62, 85-87, 92-94;
D9/417, 521, 533, 569, 573; D17/481
See application file for complete search history.

(56) **References Cited**

U.S. PATENT DOCUMENTS

D477,020	S *	7/2003	Seino	D18/56
6,799,829	B2 *	10/2004	Mah et al.	347/32
D522,049	S *	5/2006	Ishizawa et al.	D18/56
D528,598	S *	9/2006	Ishizawa et al.	D18/56
D529,954	S *	10/2006	Matsumoto	D18/56
D534,581	S *	1/2007	Ikezaki et al.	D18/56
D536,374	S *	2/2007	Shinada et al.	D18/56

D541,336	S *	4/2007	Hattori	D18/56
D541,851	S *	5/2007	Hattori et al.	D18/56
D569,422	S *	5/2008	Matsumoto	D18/56
D573,180	S *	7/2008	Yoshino	D18/56
D579,492	S *	10/2008	Matsumoto	D18/56
D584,351	S *	1/2009	Nip	D18/56
D586,850	S *	2/2009	Matsumoto	D18/56
D587,748	S *	3/2009	Anderson et al.	D18/56
D591,791	S *	5/2009	Matsumoto	D18/56

* cited by examiner

Primary Examiner—Phillip S Hyder

Assistant Examiner—Susan E Krakower

(74) *Attorney, Agent, or Firm*—Harness, Dickey & Pierce, P.L.C.

(57) **CLAIM**

The ornamental design for a waste ink box for printer, as shown and described.

DESCRIPTION

FIG. 1 is a perspective view of a waste ink box for printer as viewed from the front bottom and right side thereof showing my new design;

FIG. 2 is a perspective view thereof, as viewed from the rear, top and left side thereof;

FIG. 3 is a right side view thereof;

FIG. 4 is a left side view thereof;

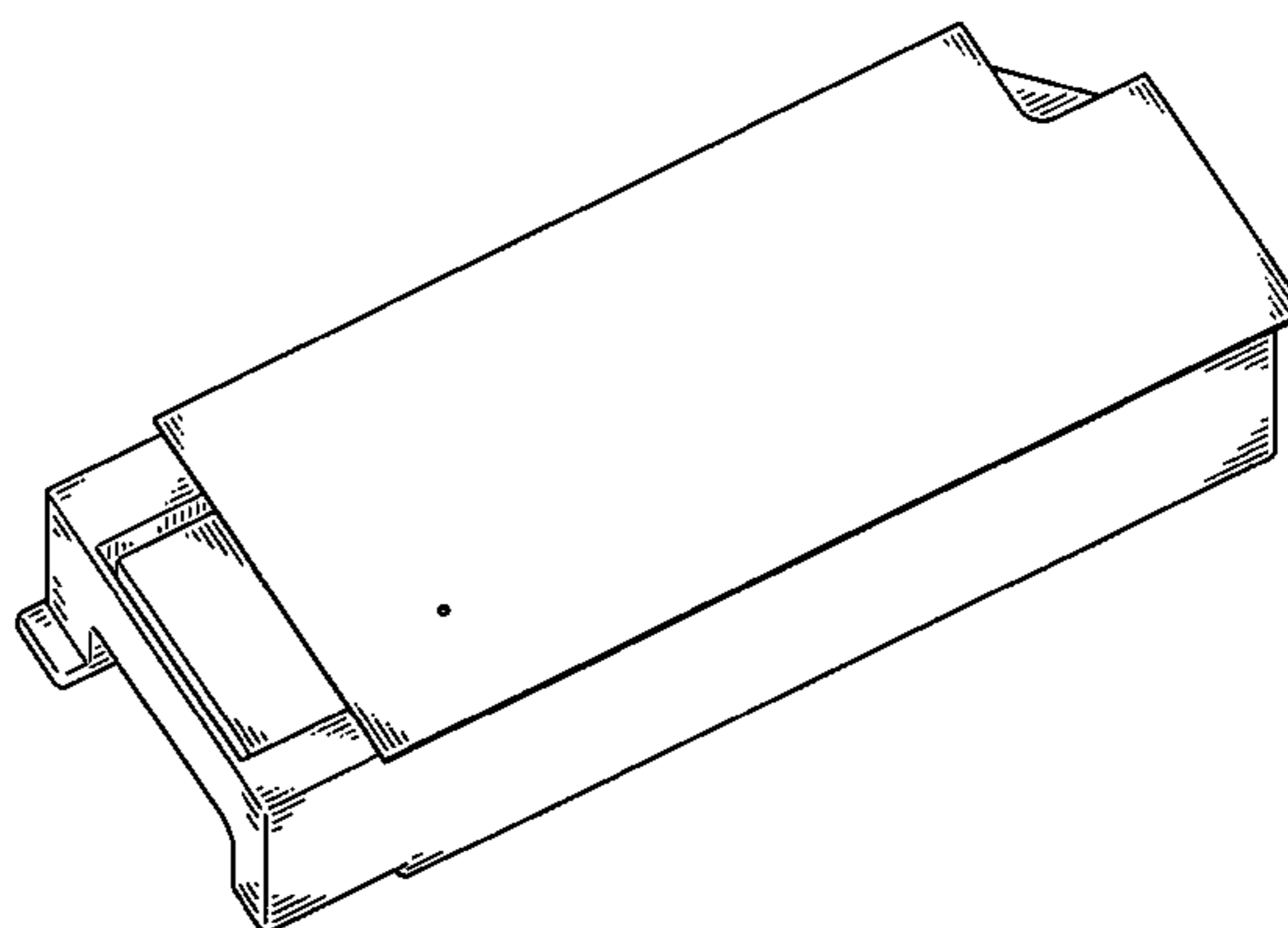
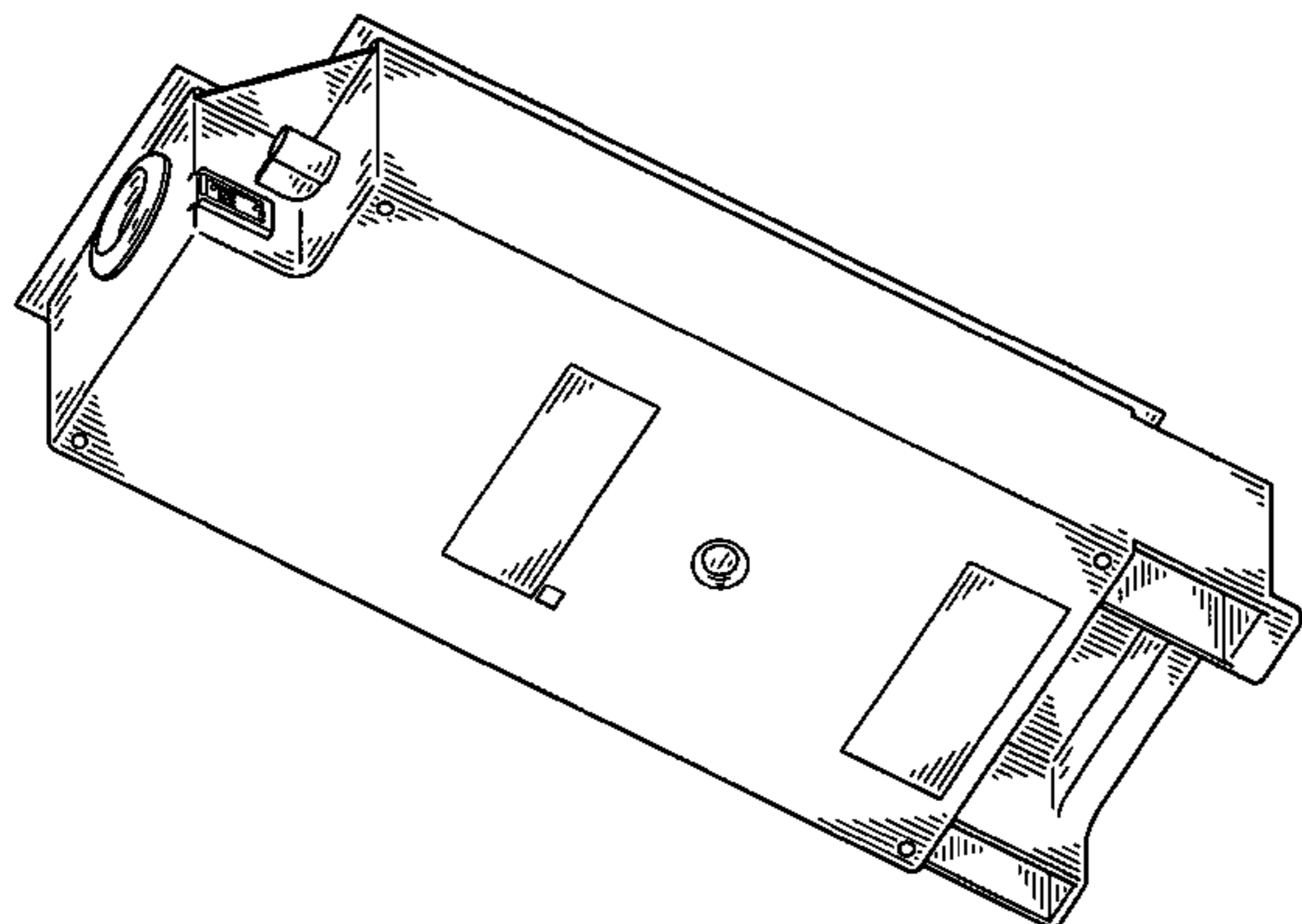
FIG. 5 is a front view thereof;

FIG. 6 is a rear view thereof;

FIG. 7 is a top view thereof; and,

FIG. 8 is a bottom view thereof.

1 Claim, 3 Drawing Sheets



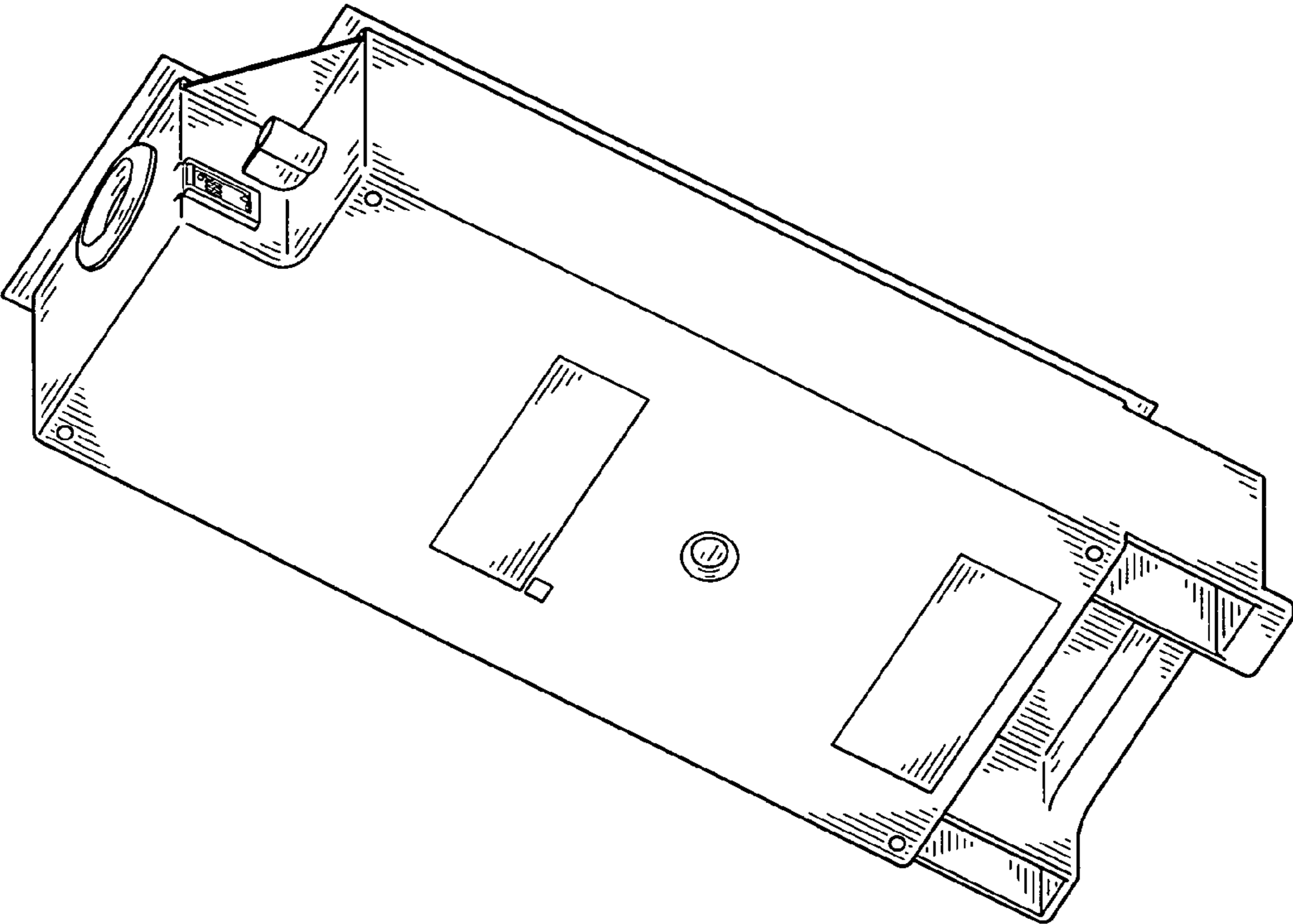


FIG. 1

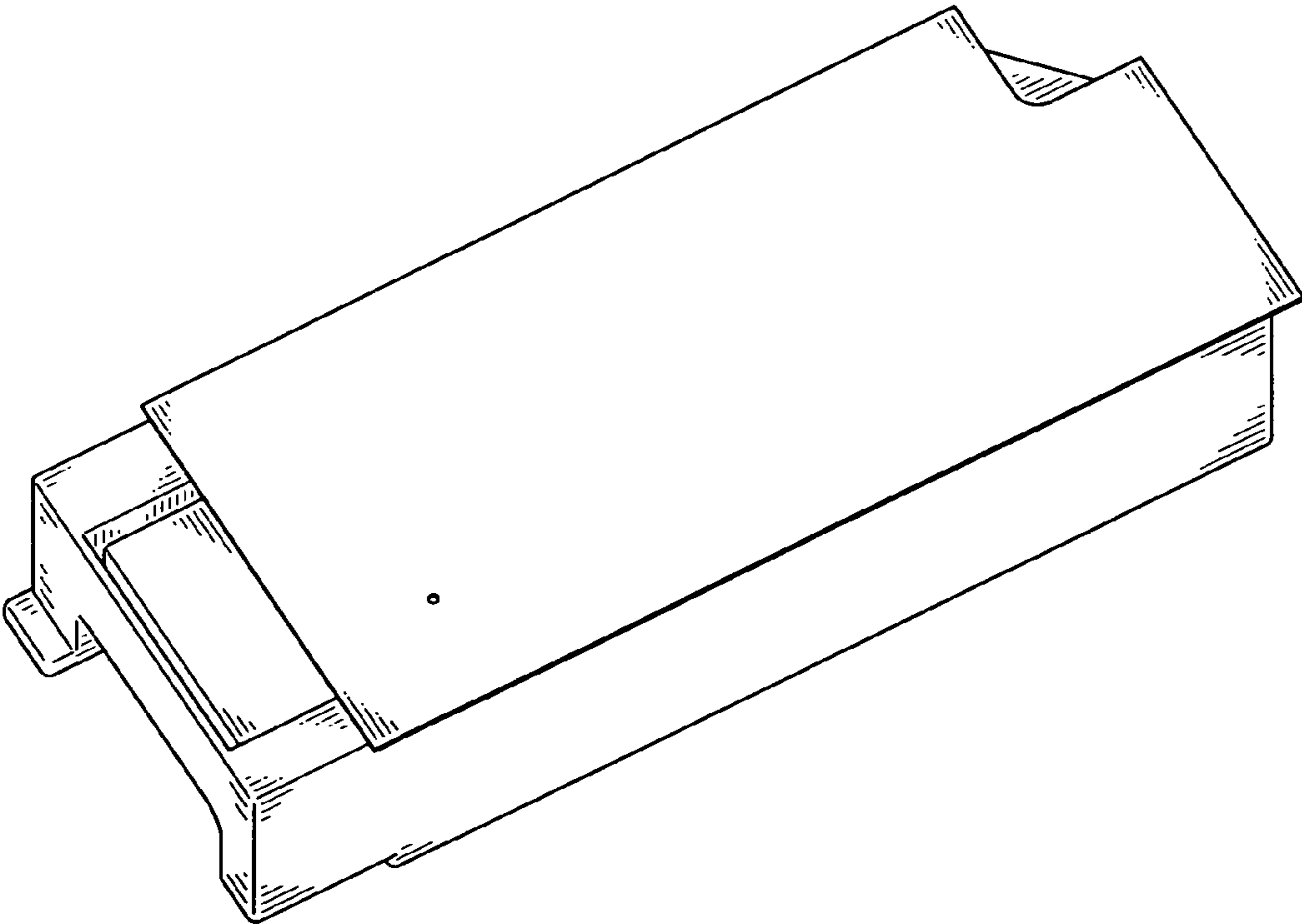


FIG. 2

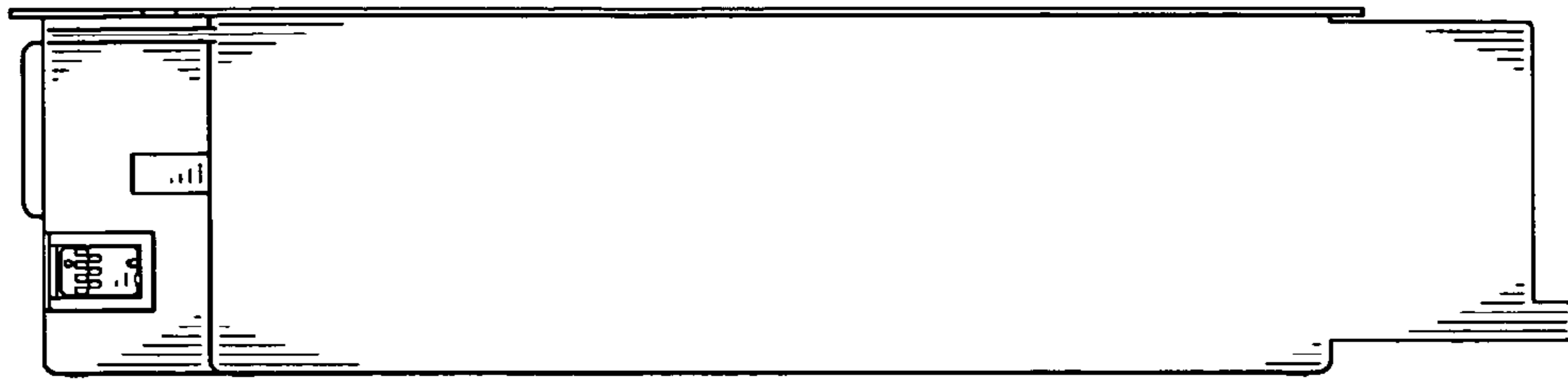


FIG. 3

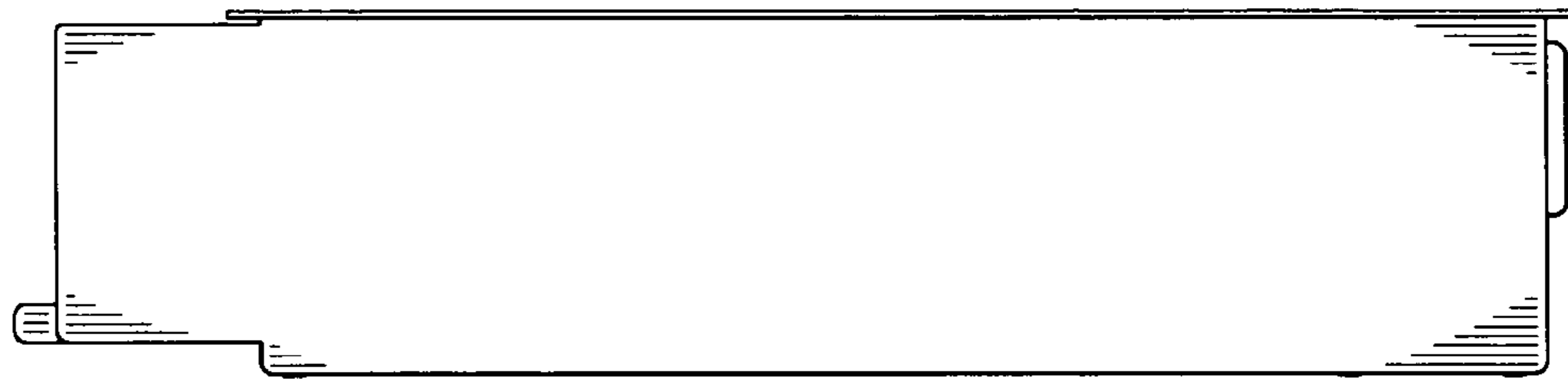


FIG. 4

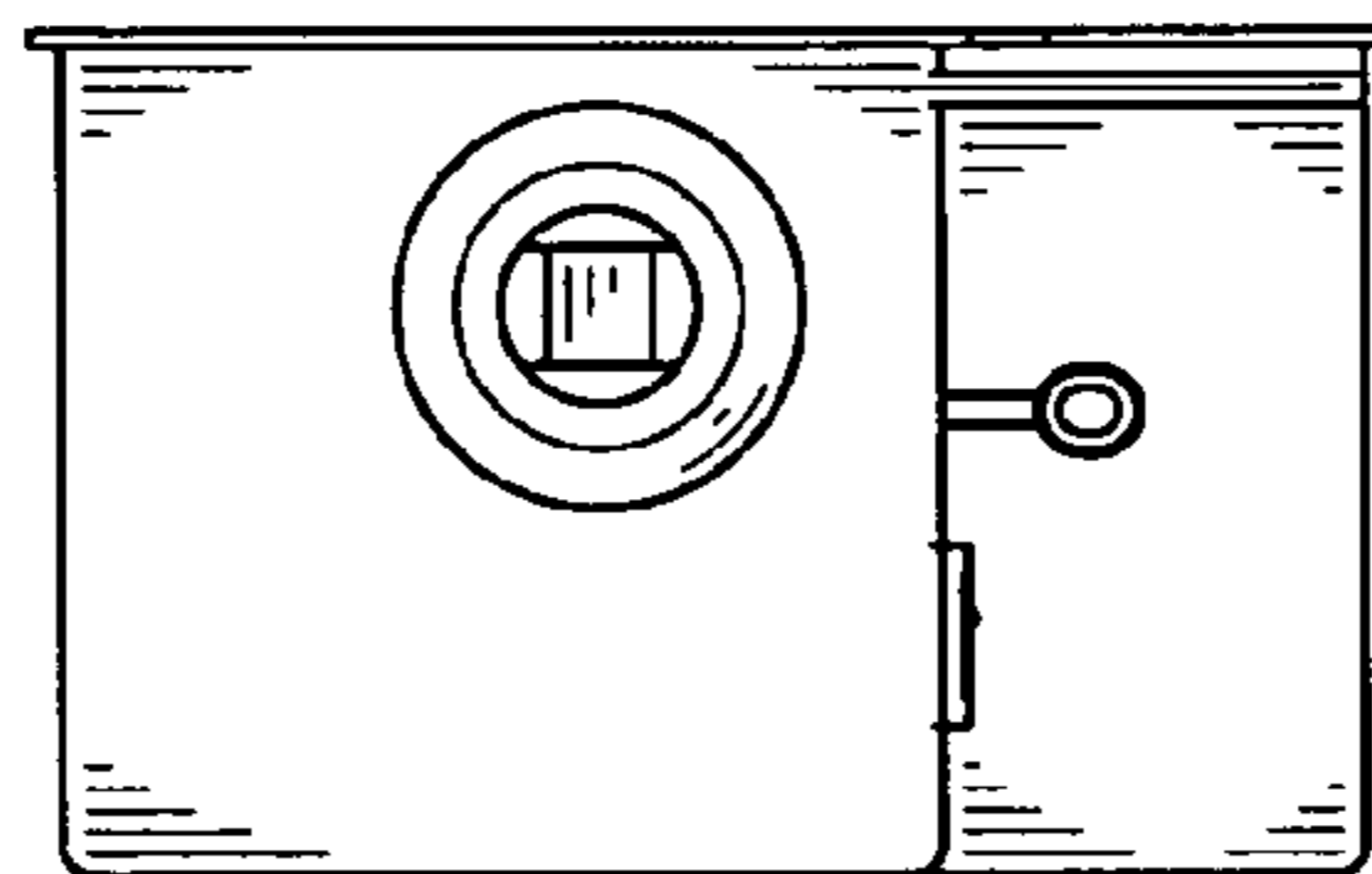


FIG. 5

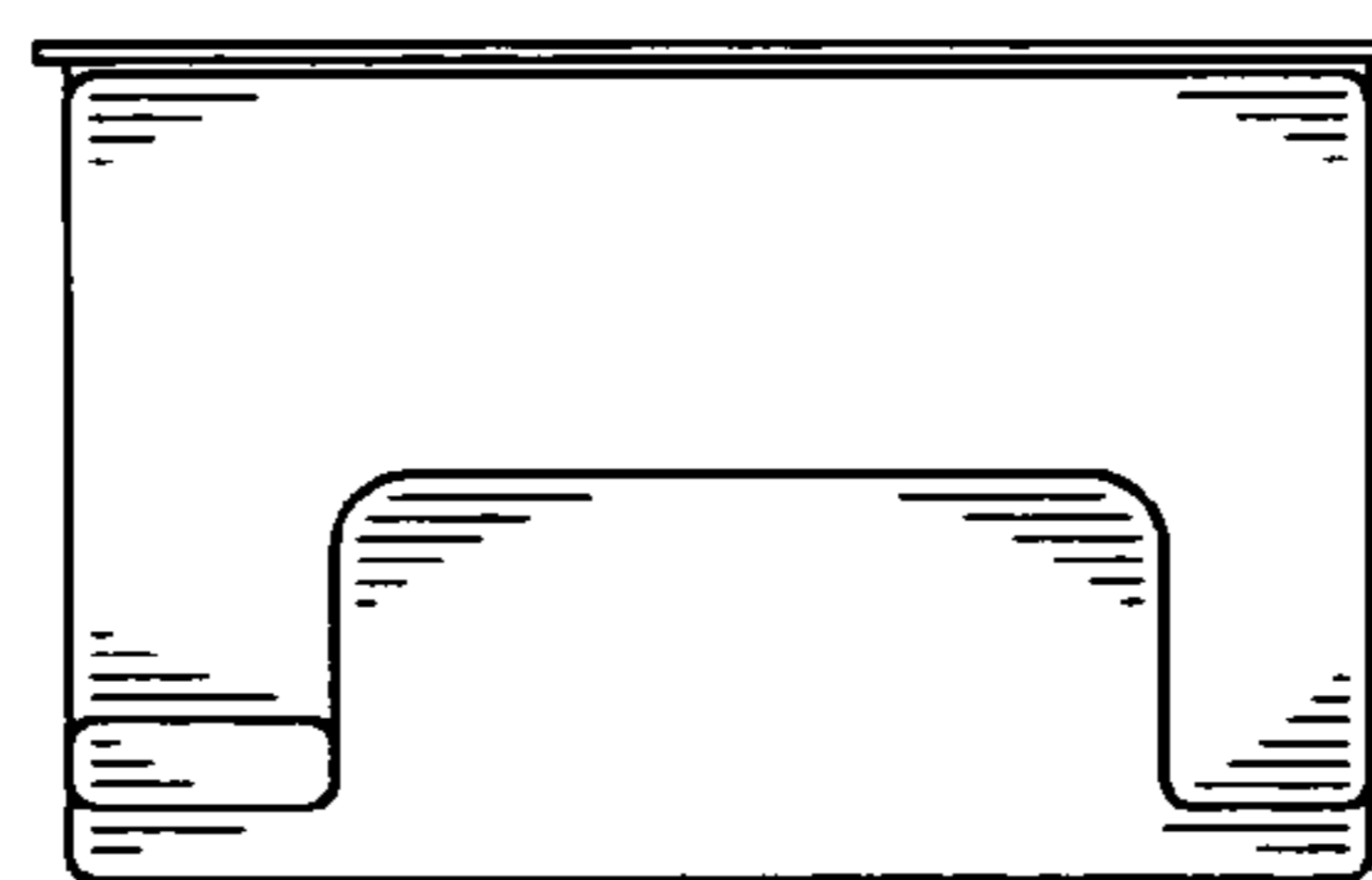


FIG. 6

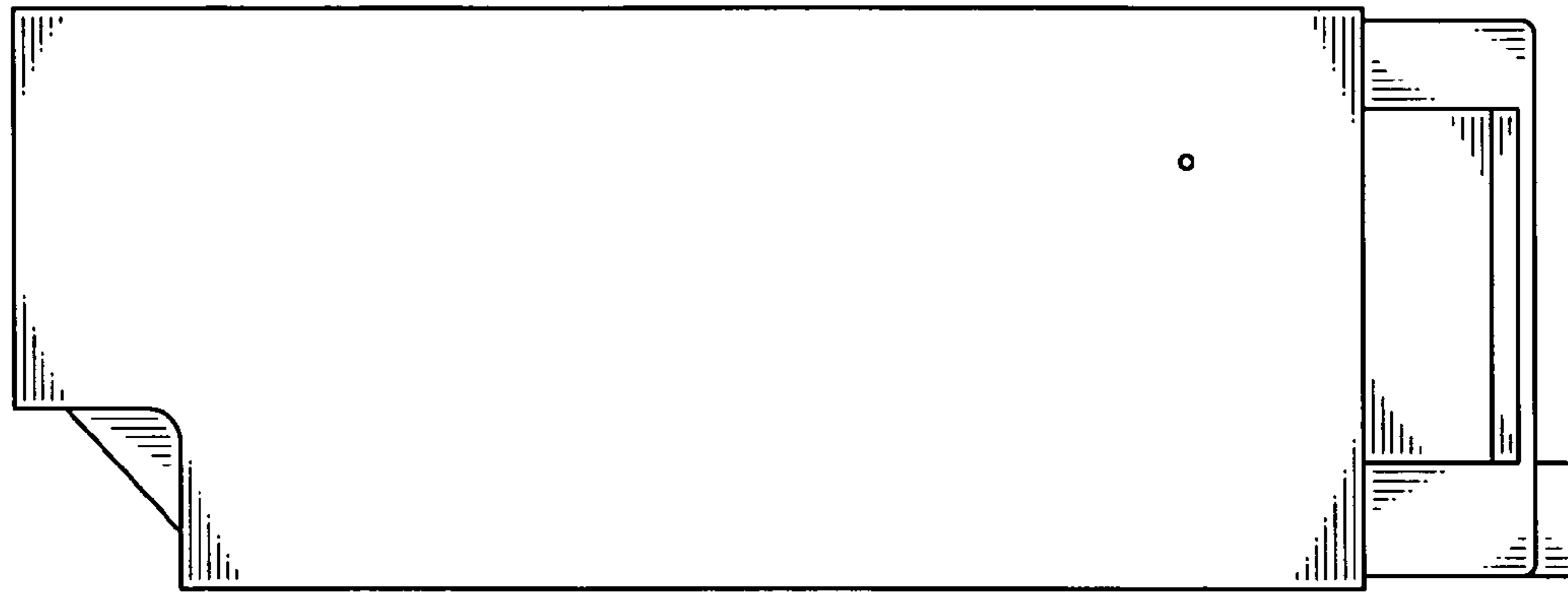


FIG. 7

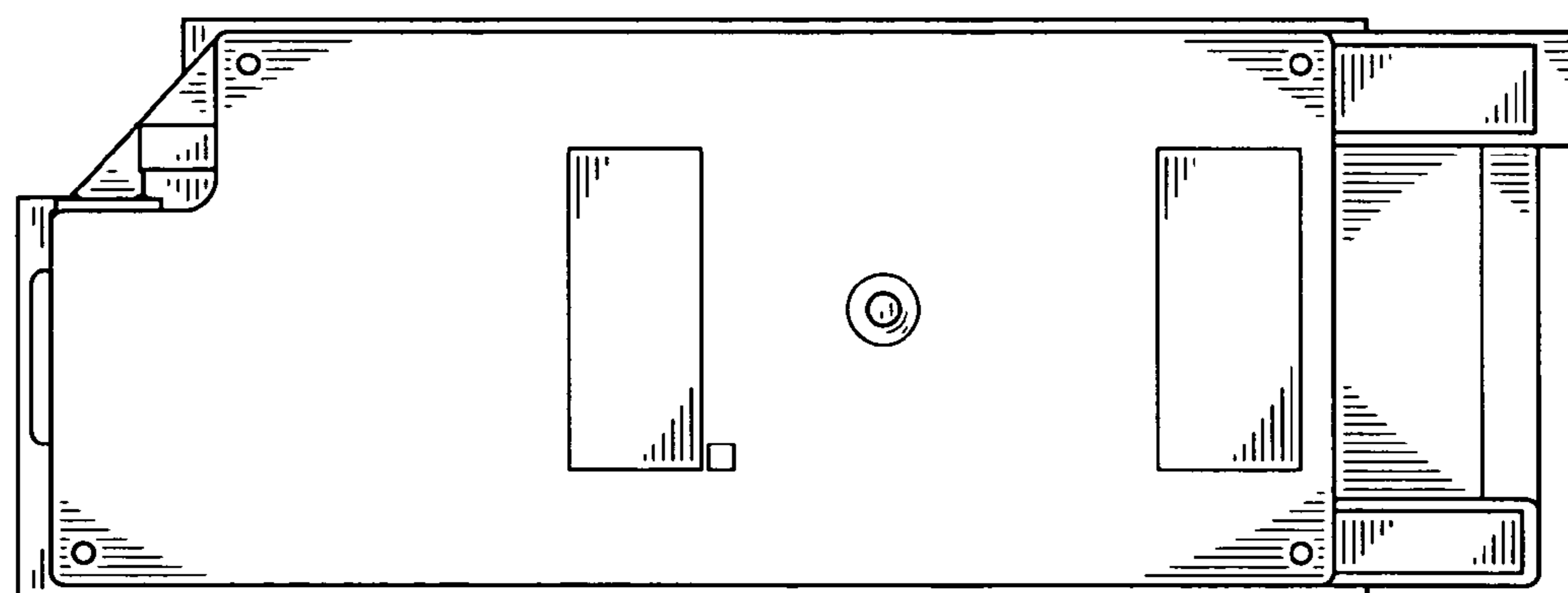


FIG. 8

UNITED STATES PATENT AND TRADEMARK OFFICE
CERTIFICATE OF CORRECTION

PATENT NO. : Des. 608,612 S
APPLICATION NO. : 29/310256
DATED : January 26, 2010
INVENTOR(S) : Shuhei Harada

Page 1 of 1

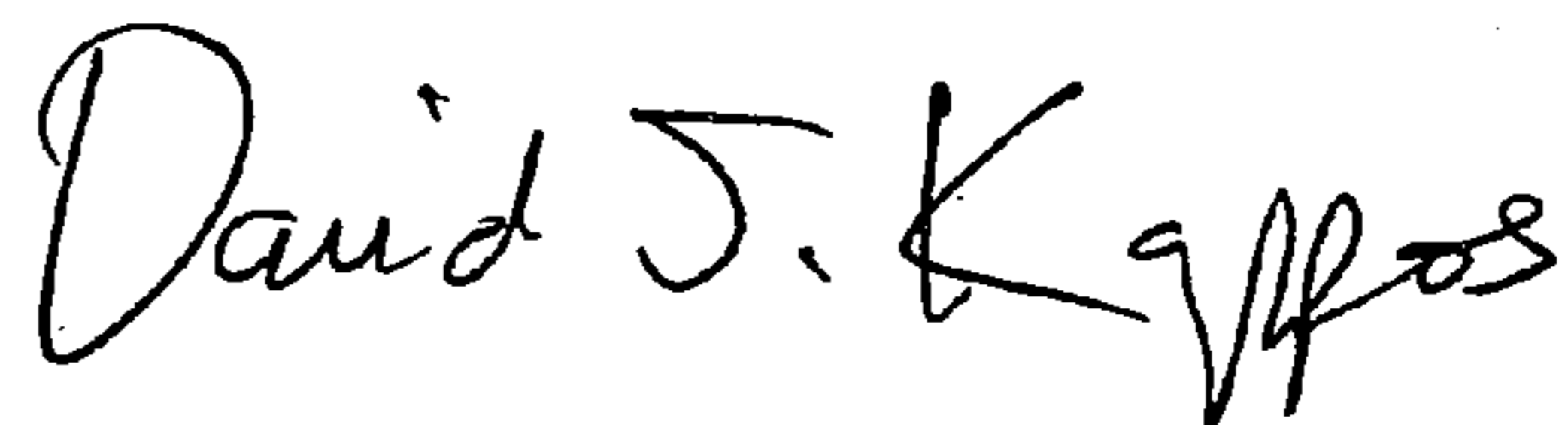
It is certified that error appears in the above-identified patent and that said Letters Patent is hereby corrected as shown below:

Title Page.

Item [75], Inventor:, “**Shuehei**” should be --**Shuhei**--.

Signed and Sealed this

Twenty-second Day of June, 2010

A handwritten signature in black ink that reads "David J. Kappos". The signature is written in a cursive, flowing style.

David J. Kappos
Director of the United States Patent and Trademark Office