

US00D608606S

(12) **United States Design Patent**  
**Heroux**

(10) **Patent No.:** **US D608,606 S**

(45) **Date of Patent:** **\*\* Jan. 26, 2010**

(54) **BAMBOO TONGS**

(75) Inventor: **Steve Heroux**, SouthBurlington, VT  
(US)

(73) Assignee: **Hip Innovations, LLC**, Williston, VT  
(US)

(\*\*) Term: **14 Years**

(21) Appl. No.: **29/310,728**

(22) Filed: **Sep. 5, 2008**

(51) **LOC (9) Cl.** ..... **07-06**

(52) **U.S. Cl.** ..... **D7/686**

(58) **Field of Classification Search** ..... D7/368,  
D7/669, 683, 686, 687; 294/99.1, 99.2, 118  
See application file for complete search history.

(56) **References Cited**

**U.S. PATENT DOCUMENTS**

D442,835 S \* 5/2001 Kaposi ..... D7/686

D488,032 S \* 4/2004 Best et al. .... D7/686

D531,463 S \* 11/2006 Jarvis et al. .... D7/686

\* cited by examiner

*Primary Examiner*—Charles A Rademaker

*Assistant Examiner*—Dana L Sipos

(57) **CLAIM**

The ornamental design for bamboo tongs, as shown and described.

**DESCRIPTION**

FIG. 1 is a folded perspective view thereof;

FIG. 2 is a folded side elevational view thereof;

FIG. 3 is a folded top view thereof;

FIG. 4 is a folded back view thereof;

FIG. 5 is an opened side perspective view thereof;

FIG. 6 is an opened front perspective view thereof;

FIG. 7 is an opened side view thereof;

FIG. 8 is an opened front view thereof; and,

FIG. 9 is an opened top view thereof.

**1 Claim, 9 Drawing Sheets**

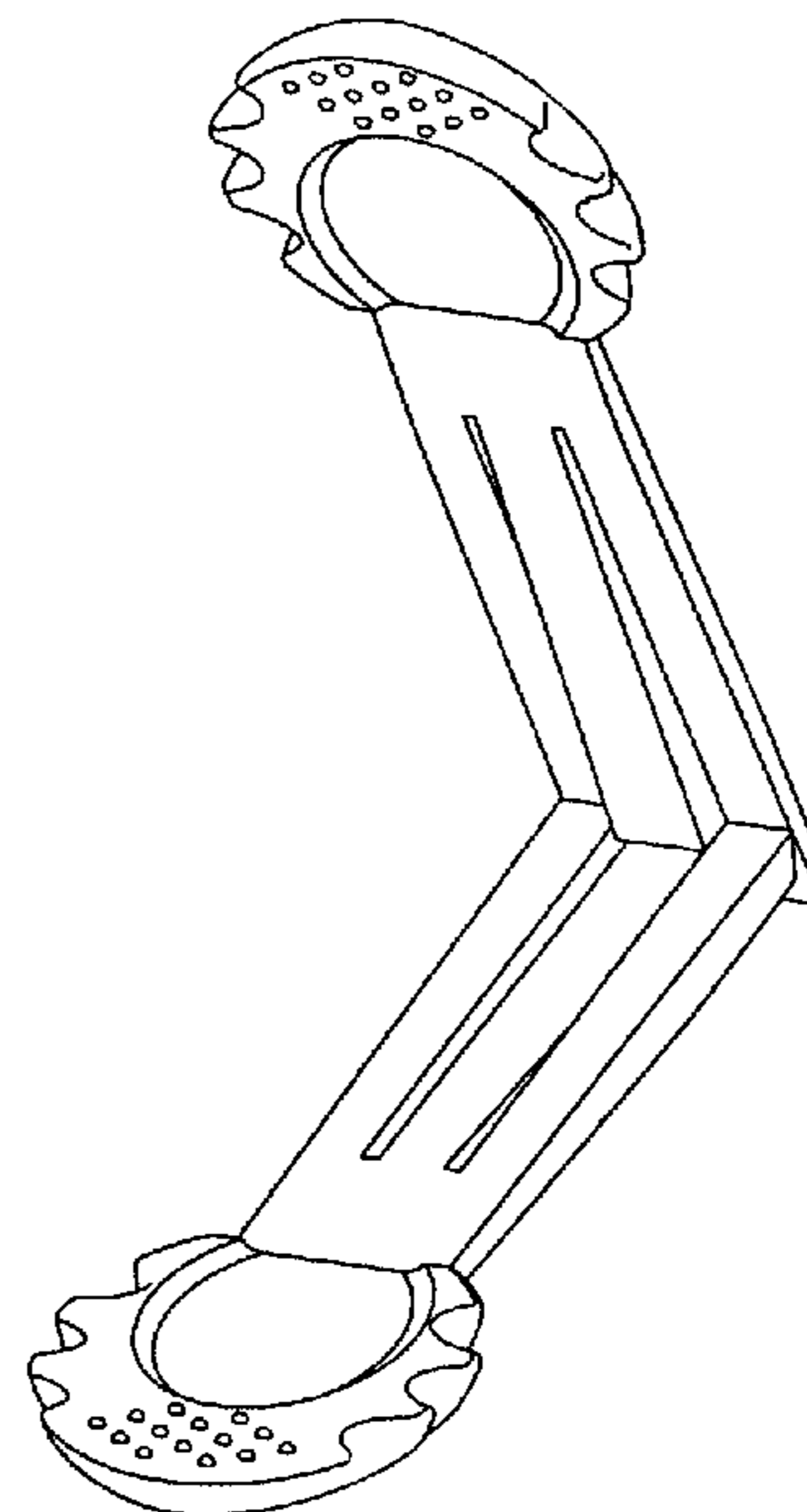
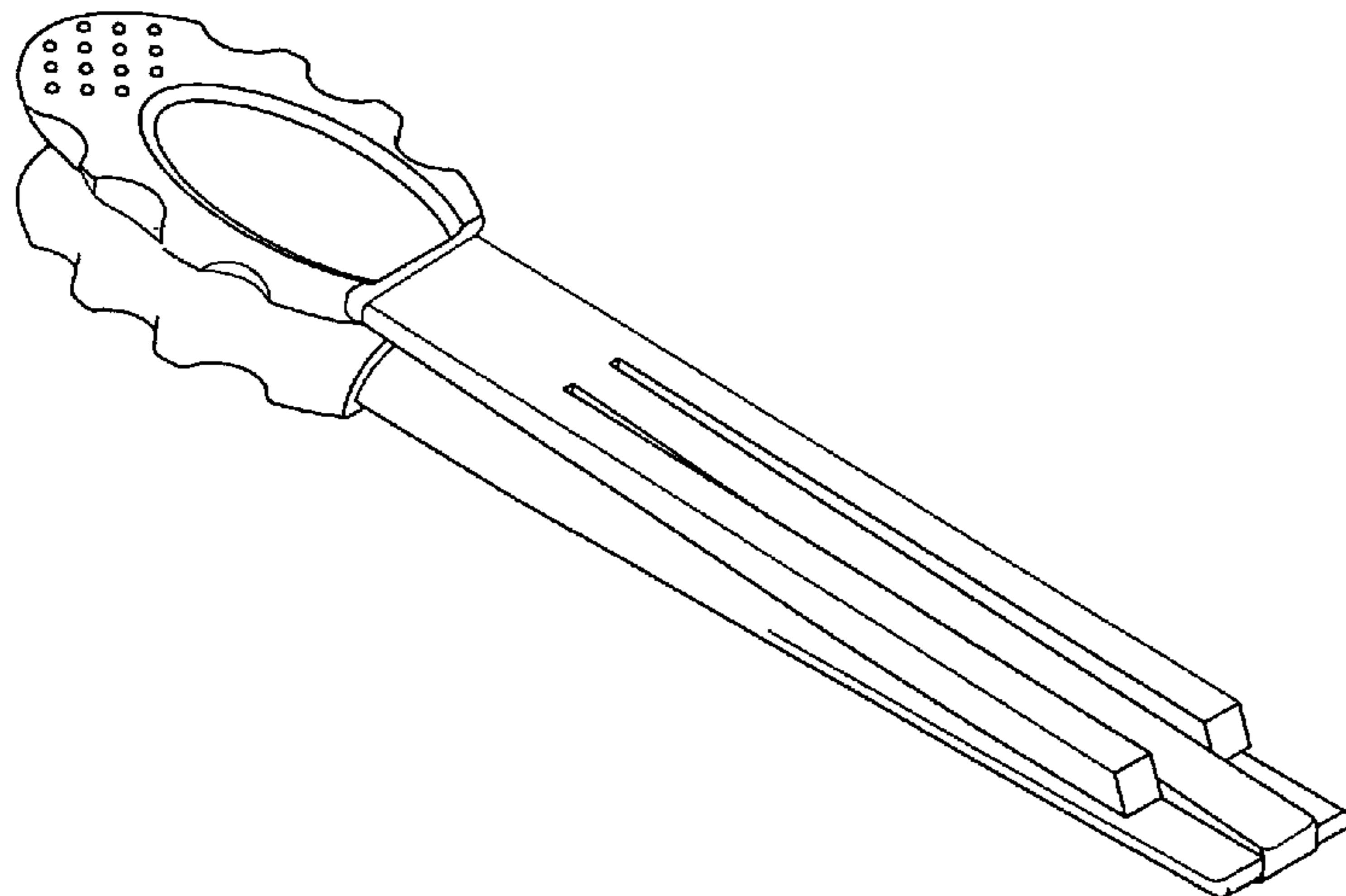


FIG. 1

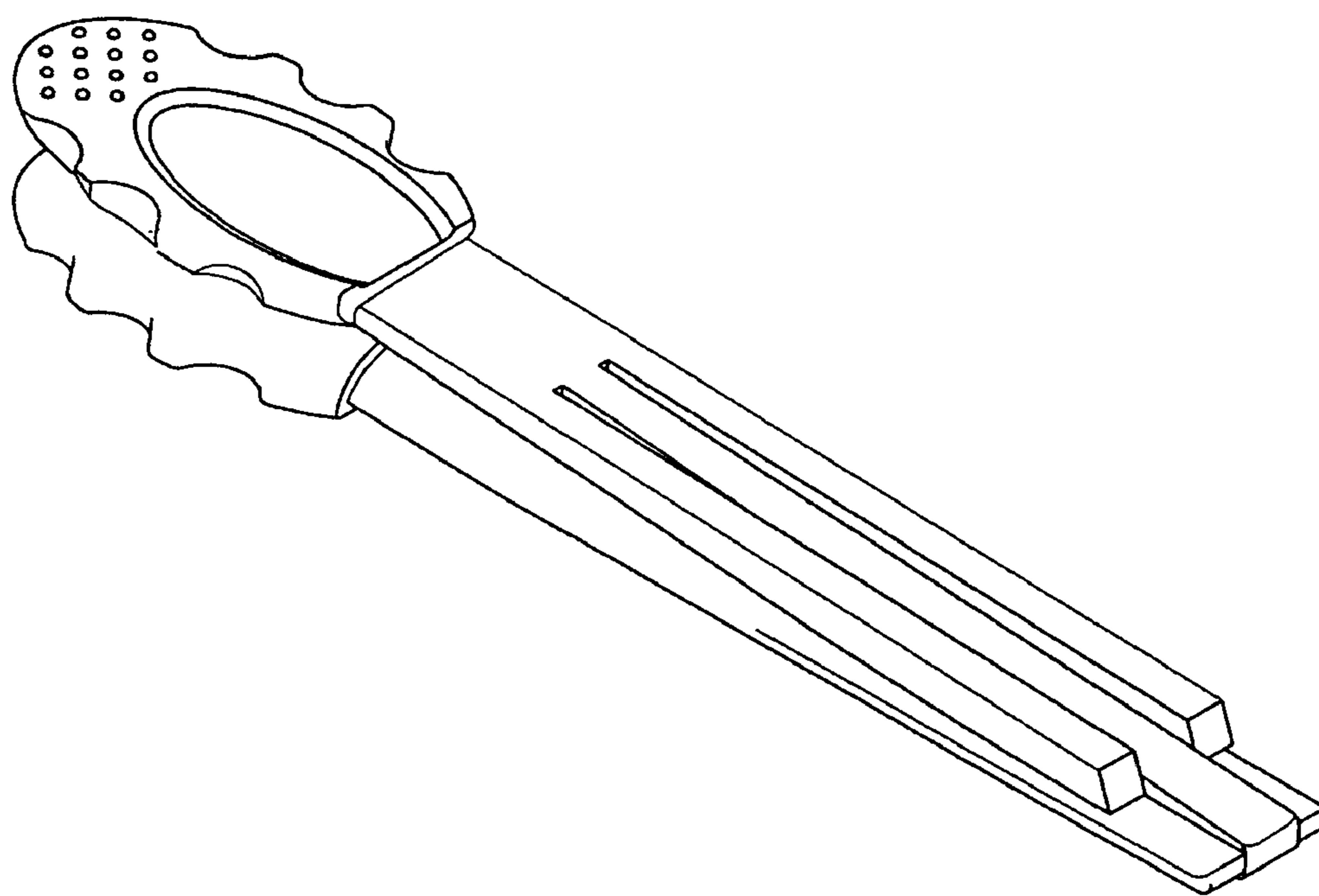


FIG. 2

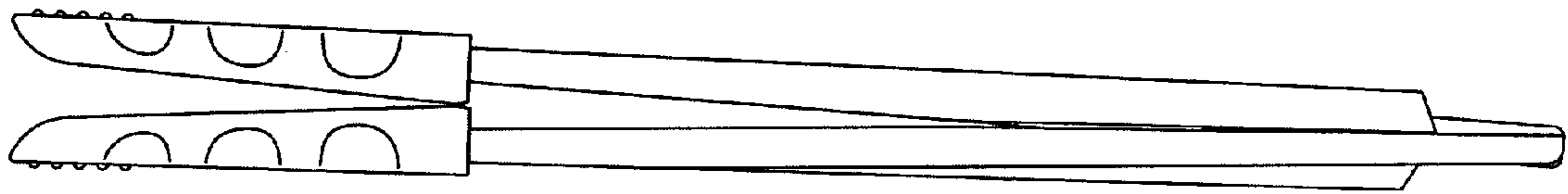
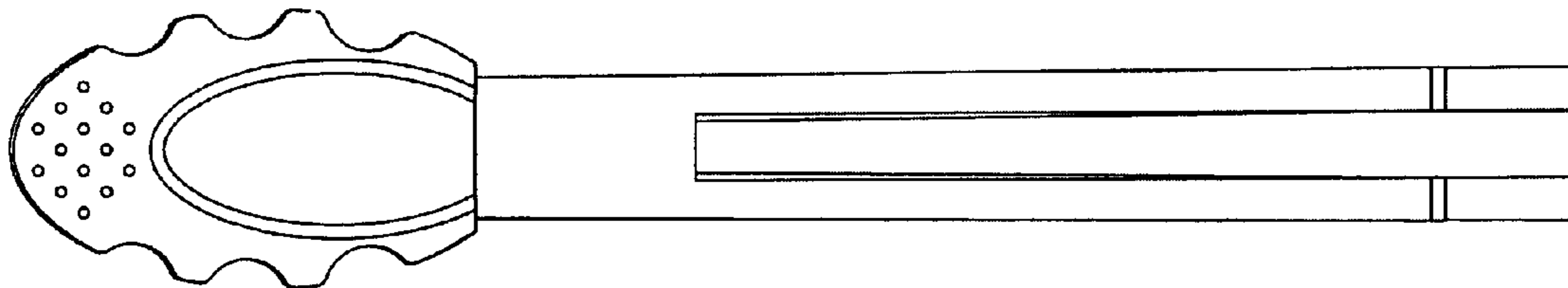


FIG. 3



**FIG. 4**

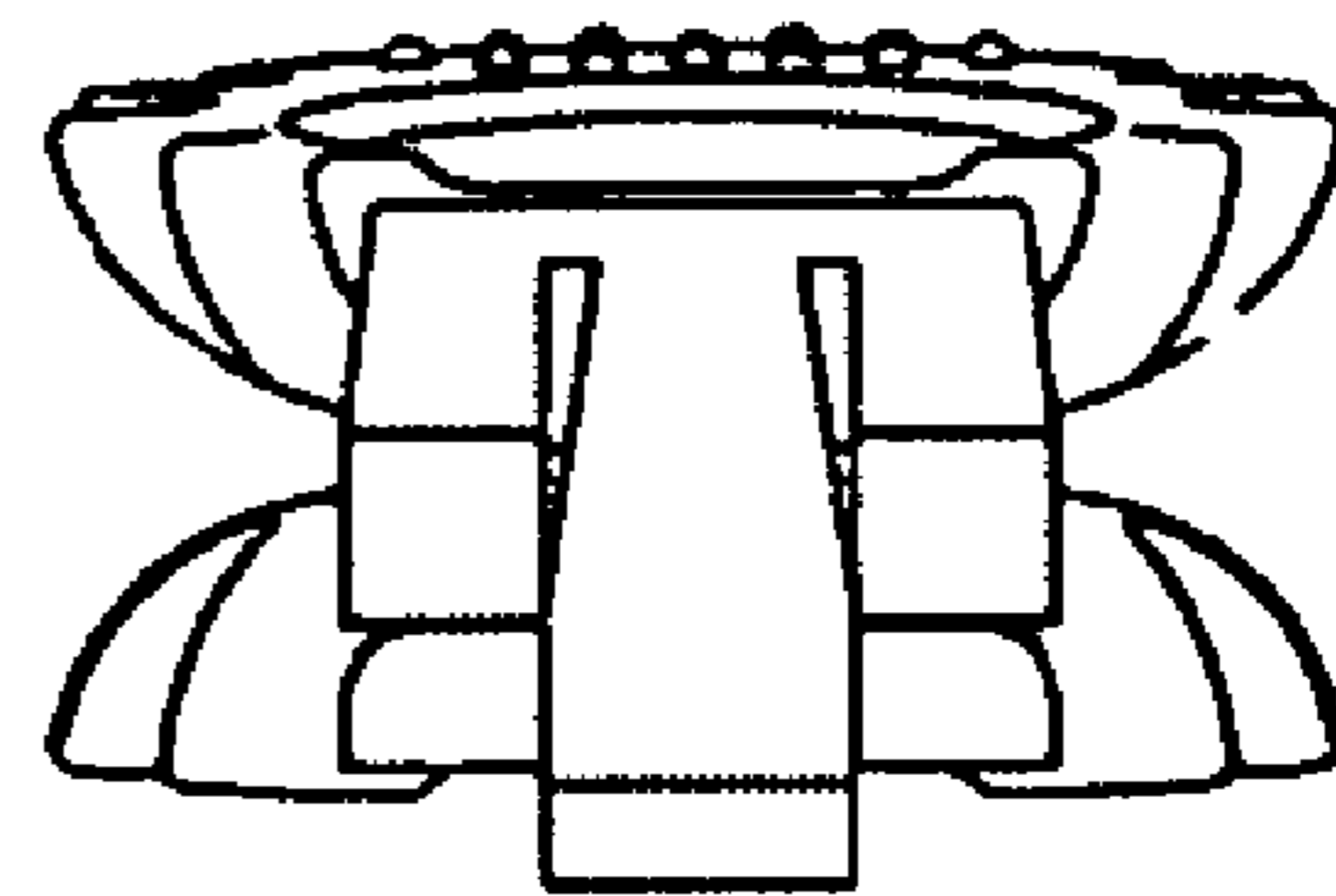


FIG. 5

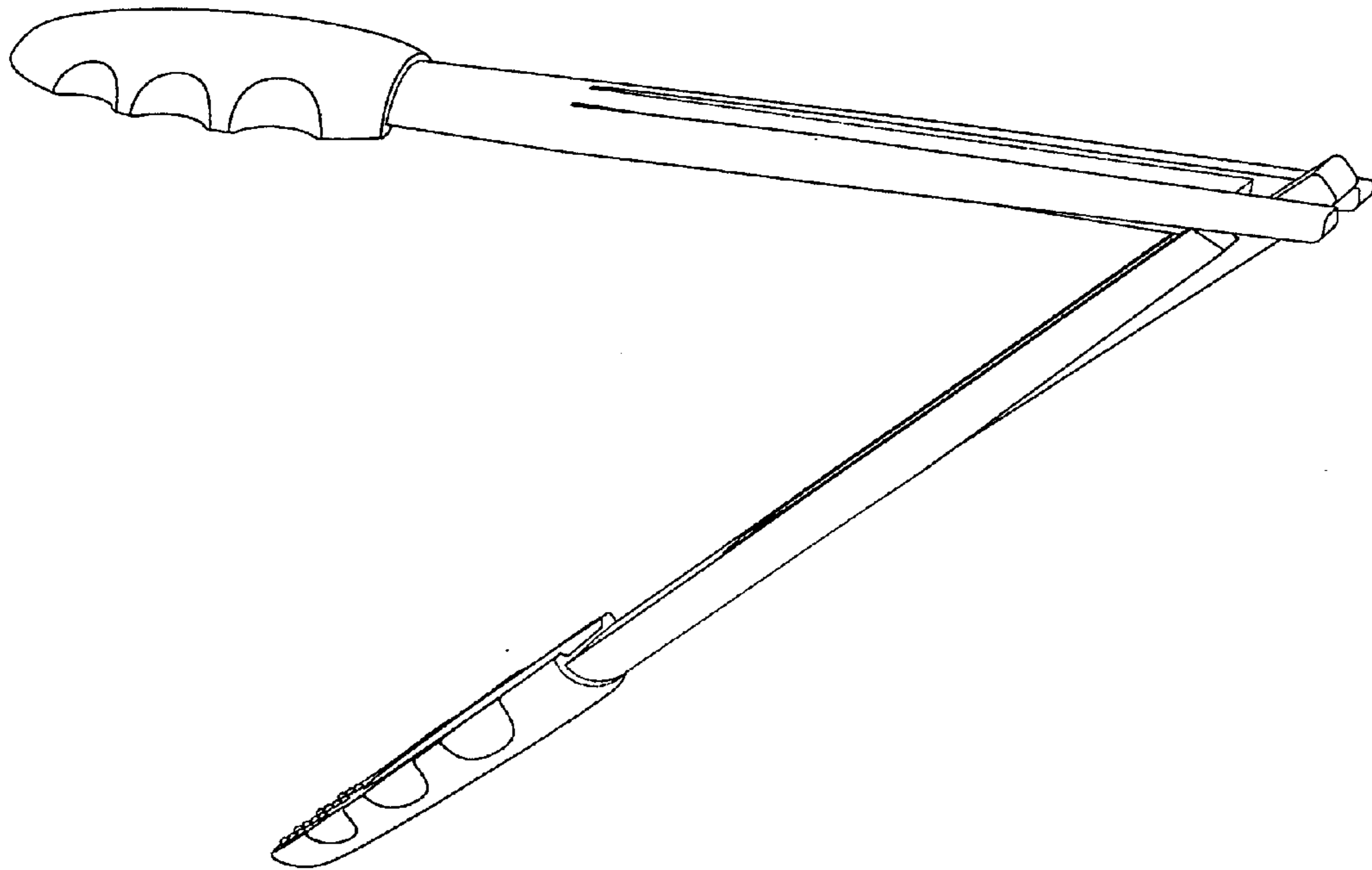


FIG. 6

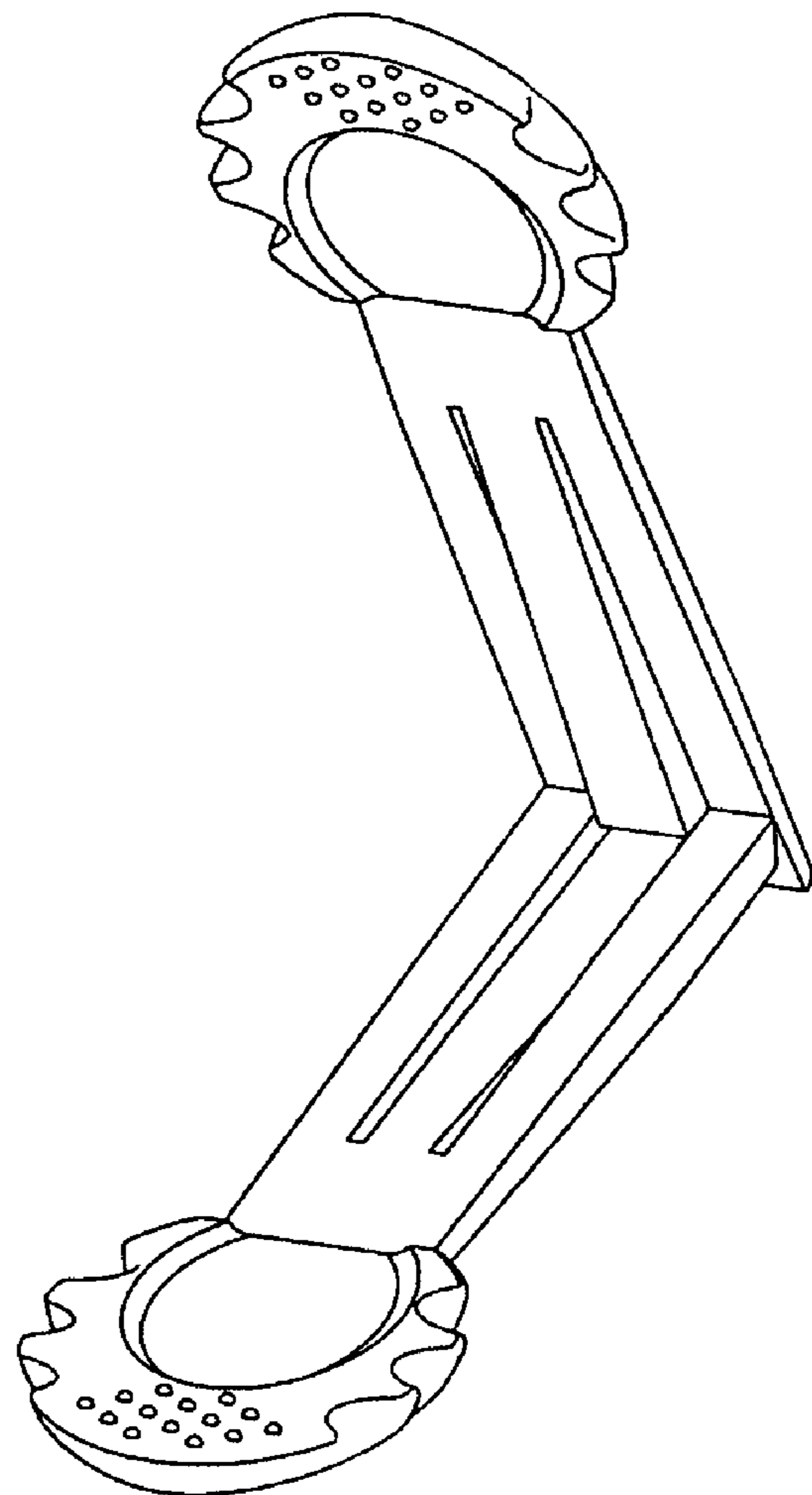
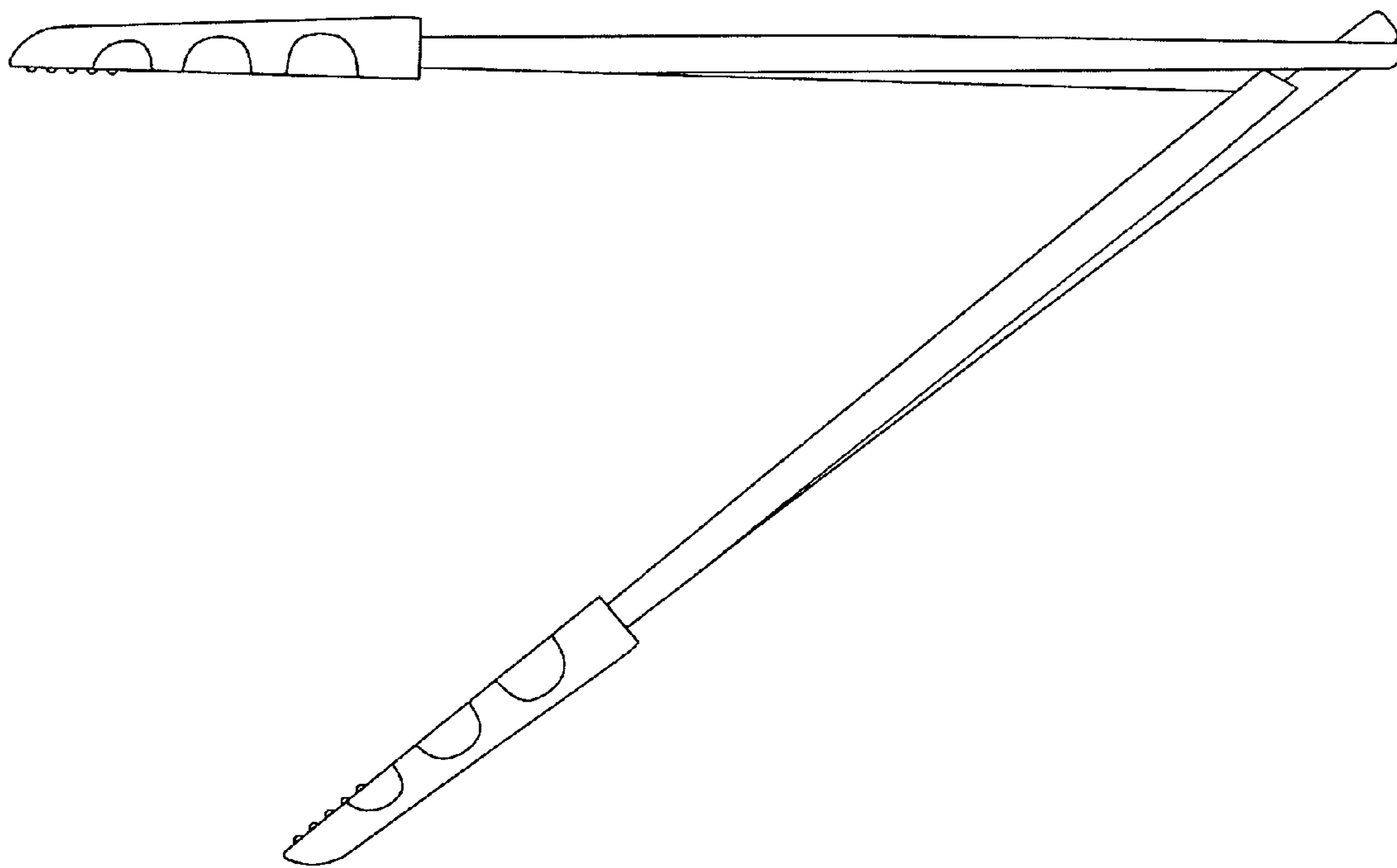


FIG. 7





**FIG. 8**

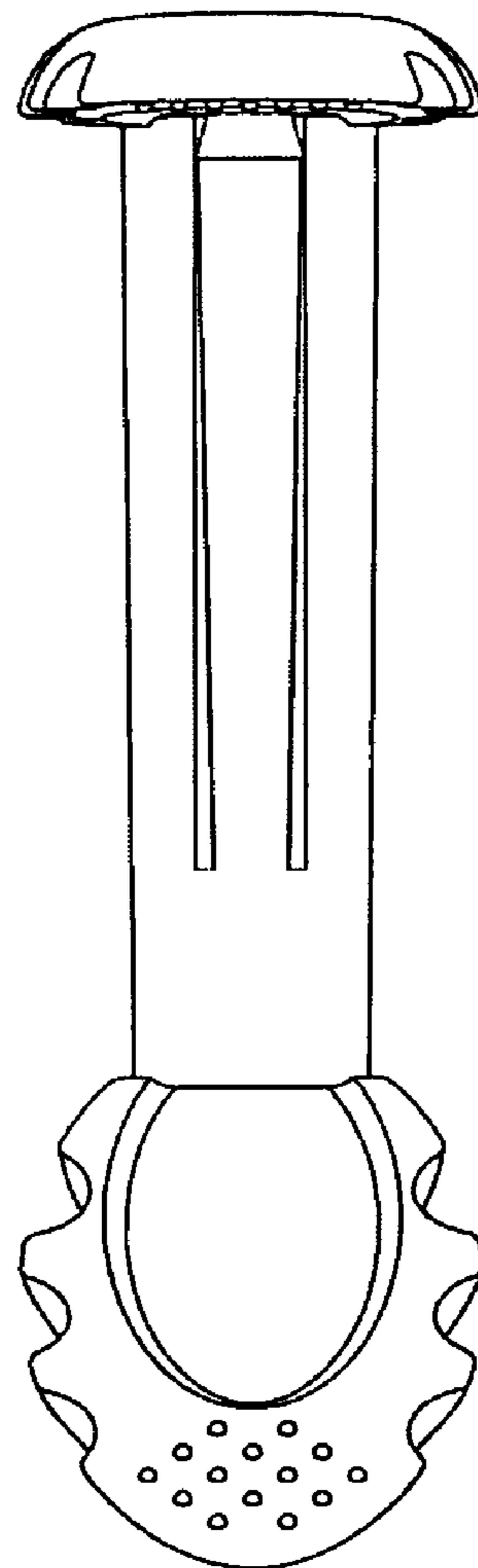


FIG. 9

