



US00D608605S

(12) **United States Design Patent**  
**Griffith**

(10) **Patent No.:** **US D608,605 S**  
(45) **Date of Patent:** **\*\* Jan. 26, 2010**

(54) **CITRUS FRUIT JUICER**  
(75) Inventor: **Jonah S. Griffith**, Seattle, WA (US)  
(73) Assignee: **Chef'n Corporation**, Seattle, WA (US)  
(\*\*) Term: **14 Years**  
(21) Appl. No.: **29/334,067**  
(22) Filed: **Mar. 19, 2009**  
(51) **LOC (9) Cl.** ..... **07-04**  
(52) **U.S. Cl.** ..... **D7/666**  
(58) **Field of Classification Search** ..... D7/665-668,  
D7/680; 99/495, 506-511; 100/99, 104,  
100/110, 112, 116, 125, 126, 233, 234, 243,  
100/213; 241/95, 169.1, 169.2, 273.3  
See application file for complete search history.

D322,919 S 1/1992 Holcomb et al.  
5,291,658 A 3/1994 Wilson et al.  
5,581,897 A 12/1996 Liebscher  
6,374,502 B1 4/2002 Holcomb et al.  
7,000,535 B2 \* 2/2006 Harrison-Griffin et al. .. 100/126  
D521,818 S \* 5/2006 So ..... D7/665  
7,299,747 B2 \* 11/2007 So ..... 100/234  
2006/0086265 A1 \* 4/2006 Gonzalez ..... 100/234

\* cited by examiner

*Primary Examiner*—Terry A Wallace  
(74) *Attorney, Agent, or Firm*—Seed IP Law Group PLLC

(57) **CLAIM**

The ornamental design for a citrus fruit juicer, as shown and described.

**DESCRIPTION**

FIG. 1 is a front isometric view of a citrus fruit juicer showing my new design.

FIG. 2 is a top plan view thereof.

FIG. 3 is a bottom plan view thereof.

FIG. 4 is rear elevation view thereof.

FIG. 5 is a front elevation view thereof.

FIG. 6 is a right side elevation view thereof; and,

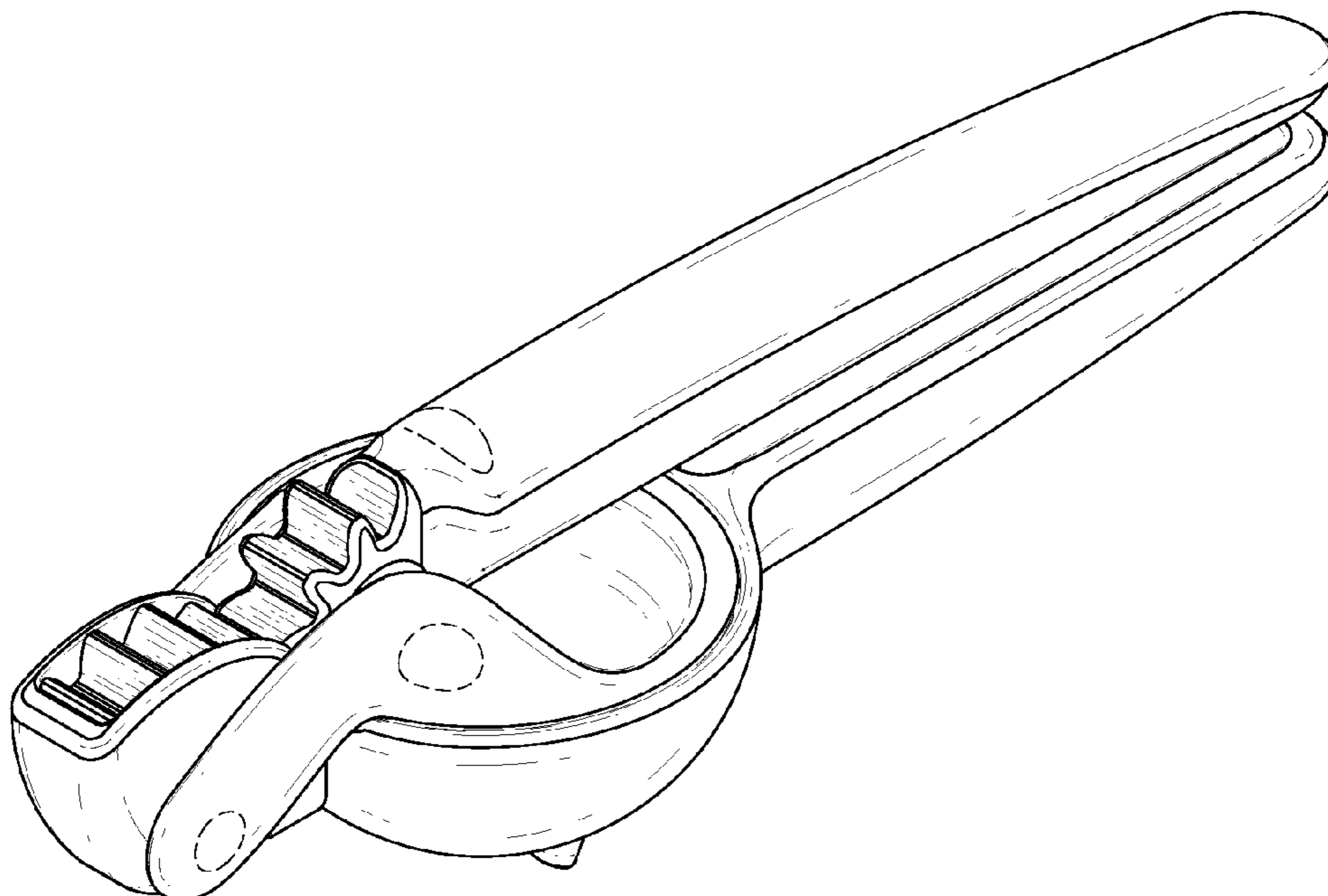
FIG. 7 is a left side elevation view thereof.

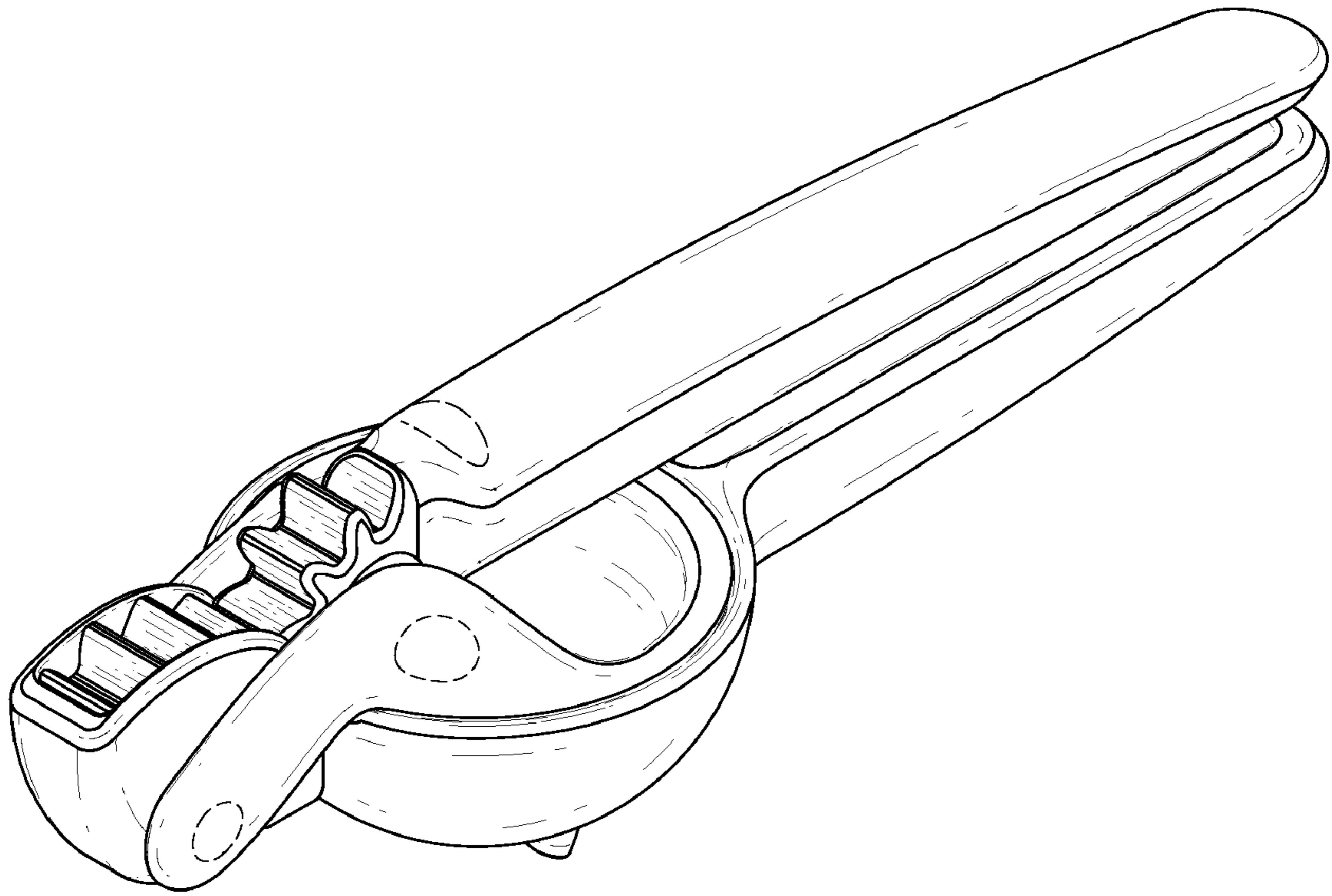
The broken lines in the figures are for illustrative purposes only and form no part of the claimed design.

(56) **References Cited**  
U.S. PATENT DOCUMENTS

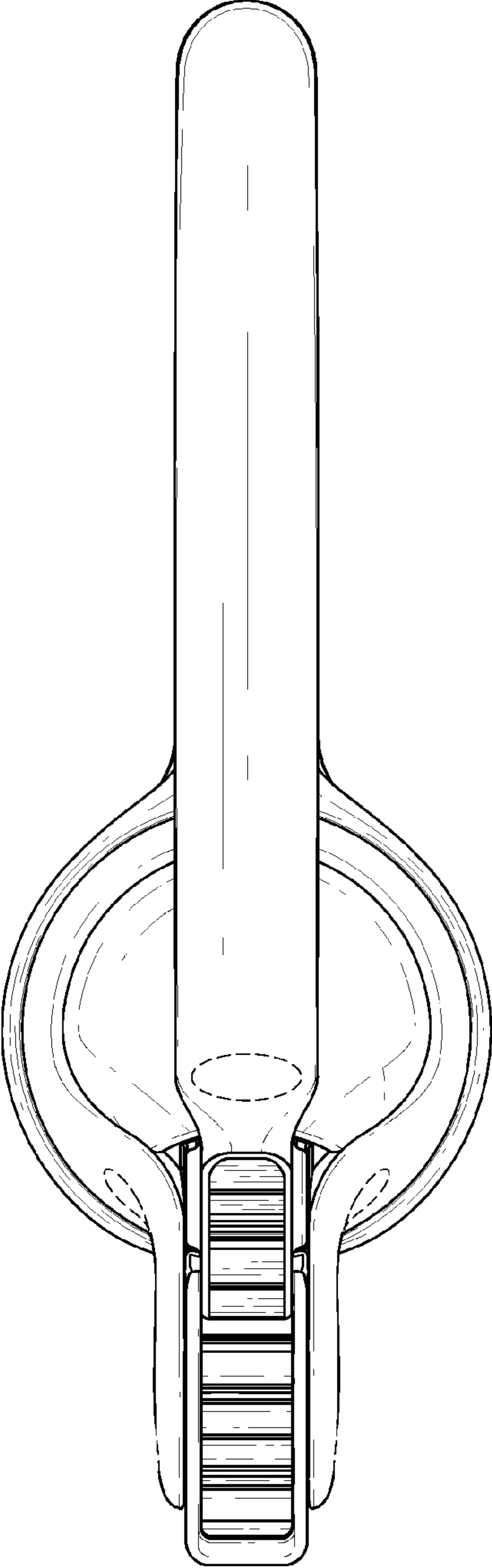
0,044,856 A	11/1864	Dick
0,191,416 A	5/1877	Fetter
0,280,495 A	7/1883	McWilliams
1,364,016 A	12/1920	Worthington
2,718,056 A	9/1955	Burnett
4,186,485 A	2/1980	Bainton et al.
4,563,818 A	1/1986	Kreth et al.
D282,521 S	2/1986	Steinko
4,754,550 A	7/1988	Koo
4,825,554 A	5/1989	Koo
D304,900 S	12/1989	Miquelot
5,022,159 A	6/1991	Cressman et al.

**1 Claim, 4 Drawing Sheets**

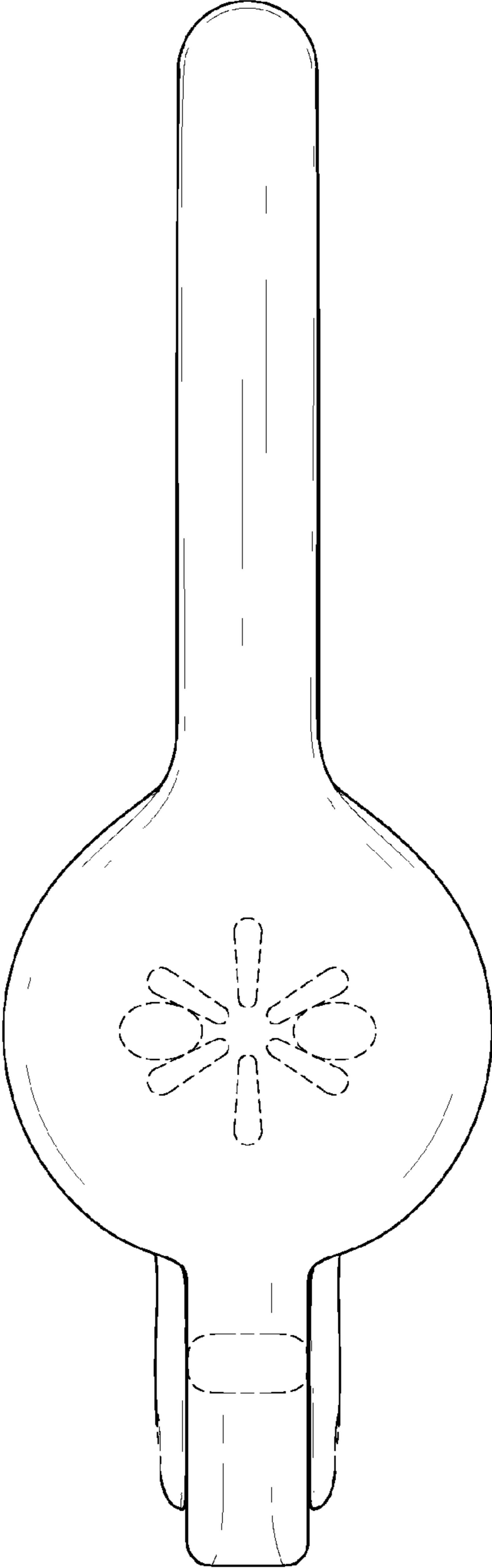




*FIG. 1*



*FIG. 2*



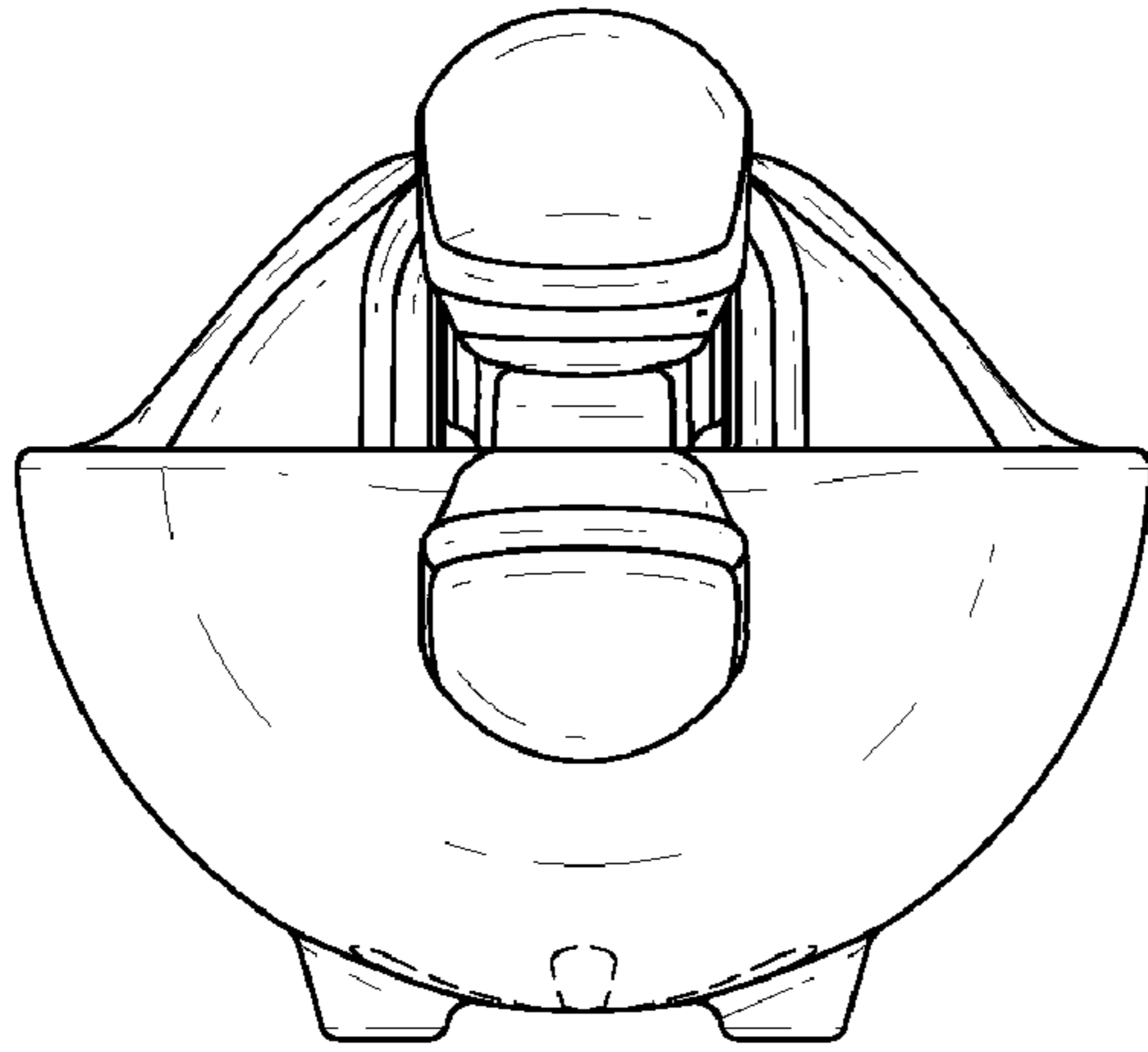
*FIG. 3*



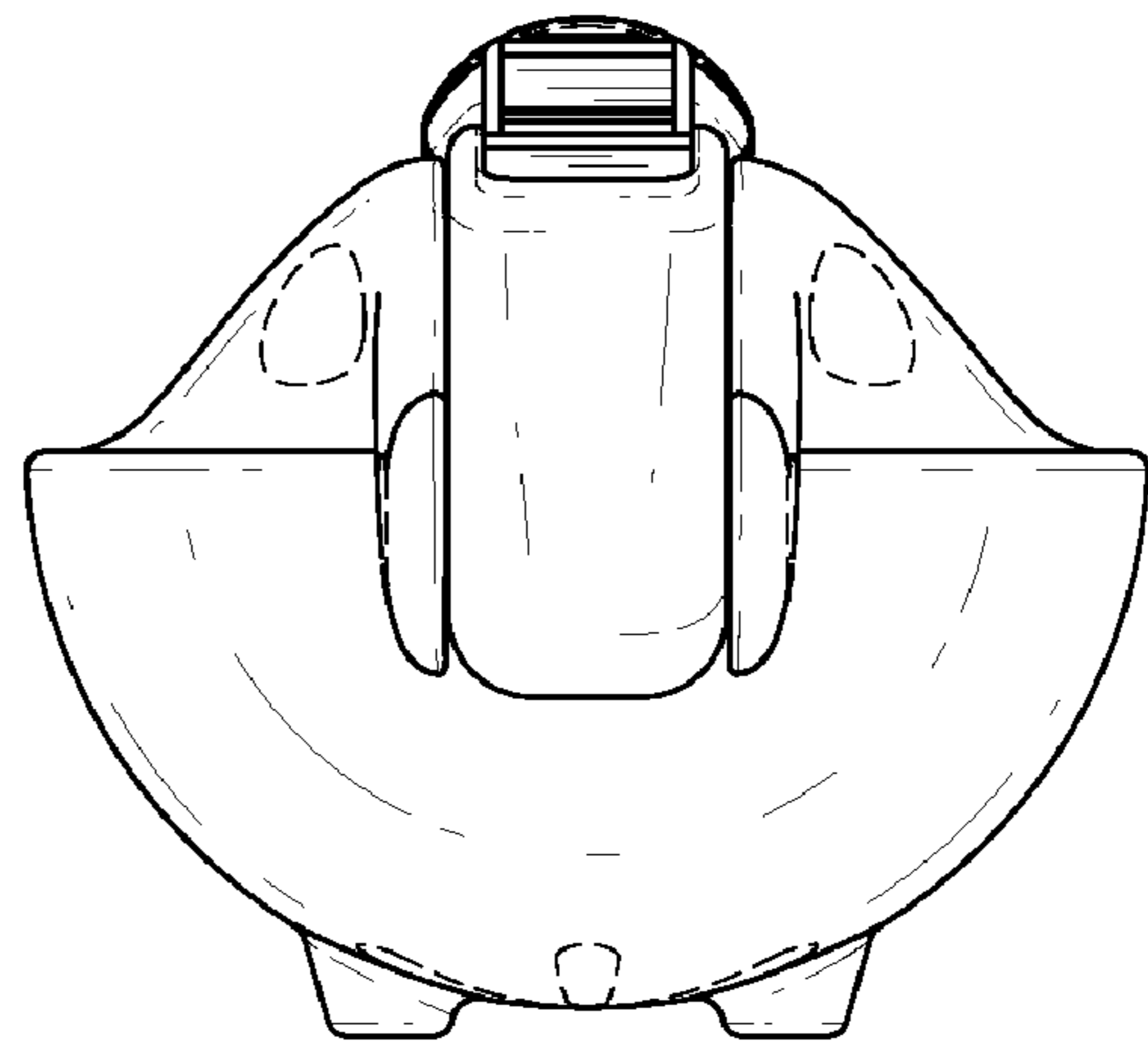
*FIG. 4*



*FIG. 5*



*FIG. 6*



*FIG. 7*