



US00D608601S

(12) **United States Design Patent**
Whitlock et al.

(10) **Patent No.:** **US D608,601 S**

(45) **Date of Patent:** **** Jan. 26, 2010**

(54) **COOLER**

(76) Inventors: **Paul Whitlock**, Picnic At Ascot, 3237
131st St., Hawthorne, CA (US) 90250;
Valerie Whitlock, Picnic At Ascot, 3237
131st St., Hawthorne, CA (US) 90250

(**) Term: **14 Years**

(21) Appl. No.: **29/314,726**

(22) Filed: **Apr. 23, 2009**

(51) **LOC (9) Cl.** **07-01**

(52) **U.S. Cl.** **D7/607; D7/279**

(58) **Field of Classification Search** D7/603–608,
D7/709, 710; D3/273, 276, 283, 284, 285,
D3/287, 289, 290, 291, 279; 383/38, 109,
383/110, 111, 113; 150/100, 103–105, 107,
150/110, 114, 118, 119; 220/915.1, 915.2,
220/592.01, 592.2, 592.09, 592.03, 592.16;
190/100, 103–106, 109, 115

See application file for complete search history.

(56) **References Cited**

U.S. PATENT DOCUMENTS

D284,620 S *	7/1986	Calton	D7/605
D387,625 S *	12/1997	Kai Fai	D7/605
D425,761 S *	5/2000	Philipson et al.	D7/607
D434,609 S *	12/2000	Yu	D7/607
D464,235 S *	10/2002	Jeong	D7/607
D478,782 S *	8/2003	Li	D7/607
D554,369 S *	11/2007	Katz et al.	D3/279

D554,860 S * 11/2007 Udall et al. D3/279

* cited by examiner

Primary Examiner—Terry A Wallace

(74) *Attorney, Agent, or Firm*—D. Whitlow Bivens

(57) **CLAIM**

The ornamental design for a cooler, as shown.

DESCRIPTION

FIG. 1 is a perspective view of our new design in a first configuration;

FIG. 2 is a first side view thereof;

FIG. 3 is a front view thereof;

FIG. 4 is a second side view thereof;

FIG. 5 is a top view thereof;

FIG. 6 is a rear view thereof;

FIG. 7 is a perspective view of our new design in a second configuration;

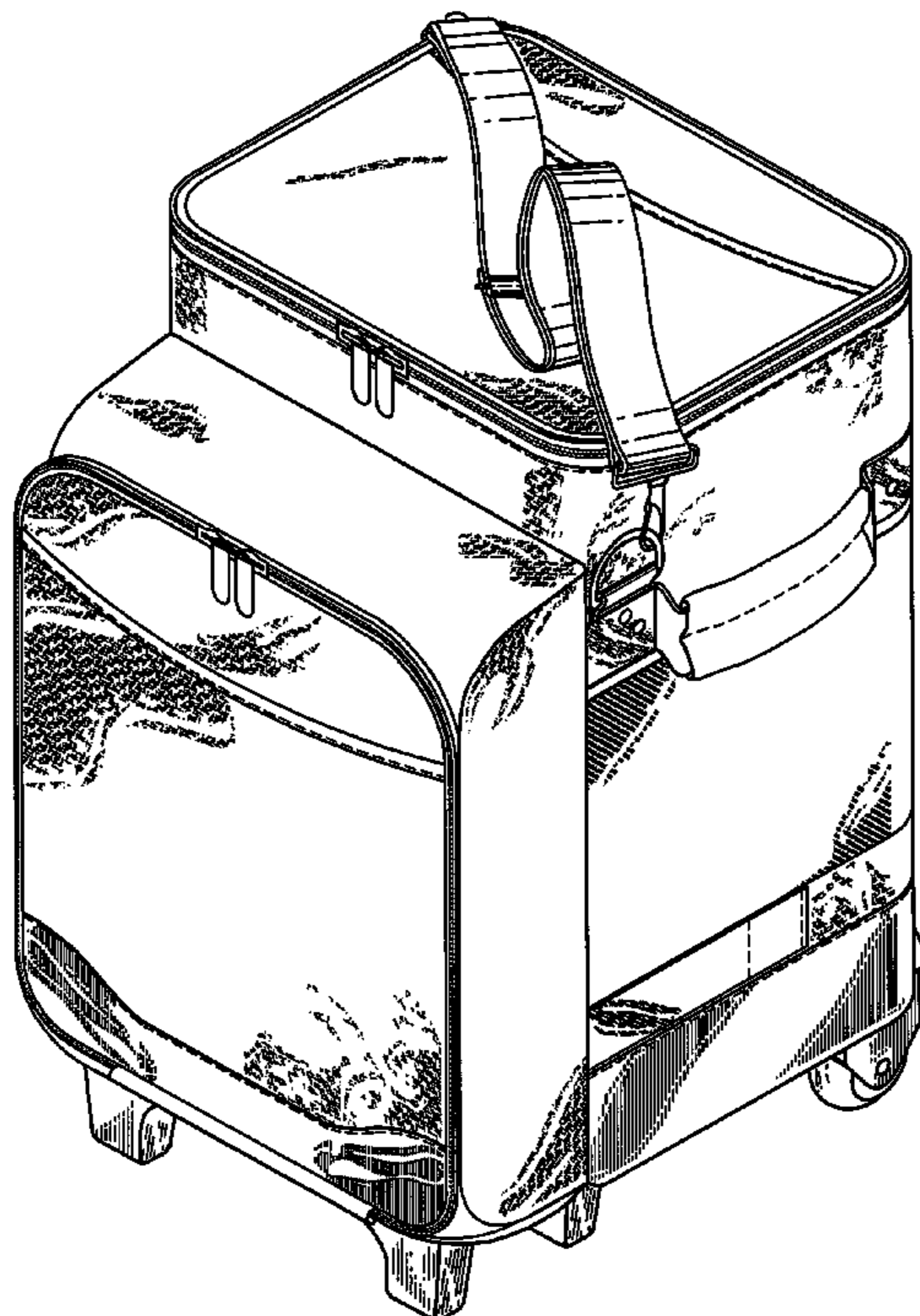
FIG. 8 is a first side view of our new design in the second configuration;

FIG. 9 is a front view of our new design in the second configuration;

FIG. 10 is a second side view of our new design in the second configuration; and,

FIG. 11 is a top view of our new design in the second configuration.

1 Claim, 11 Drawing Sheets



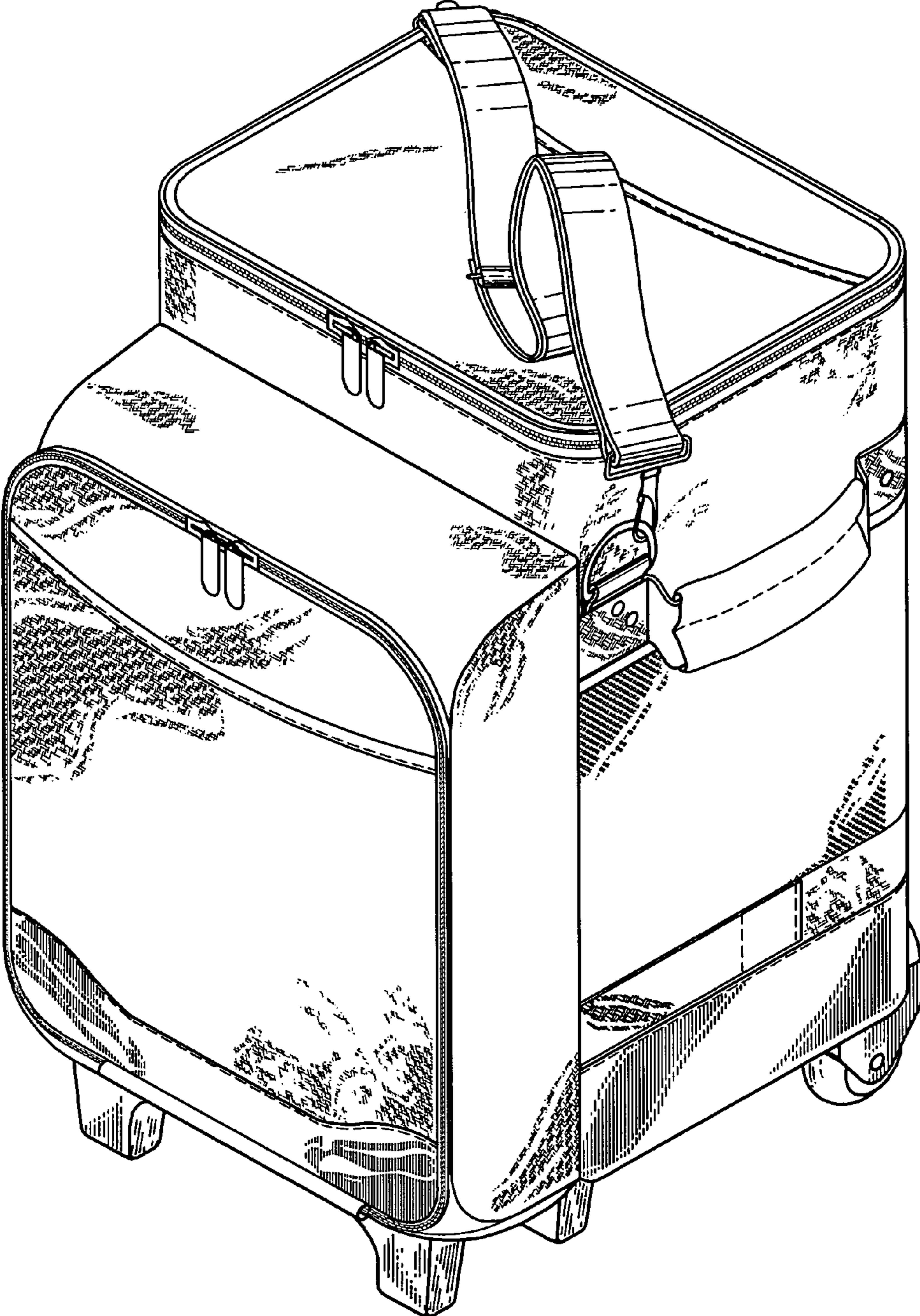


FIG. 1

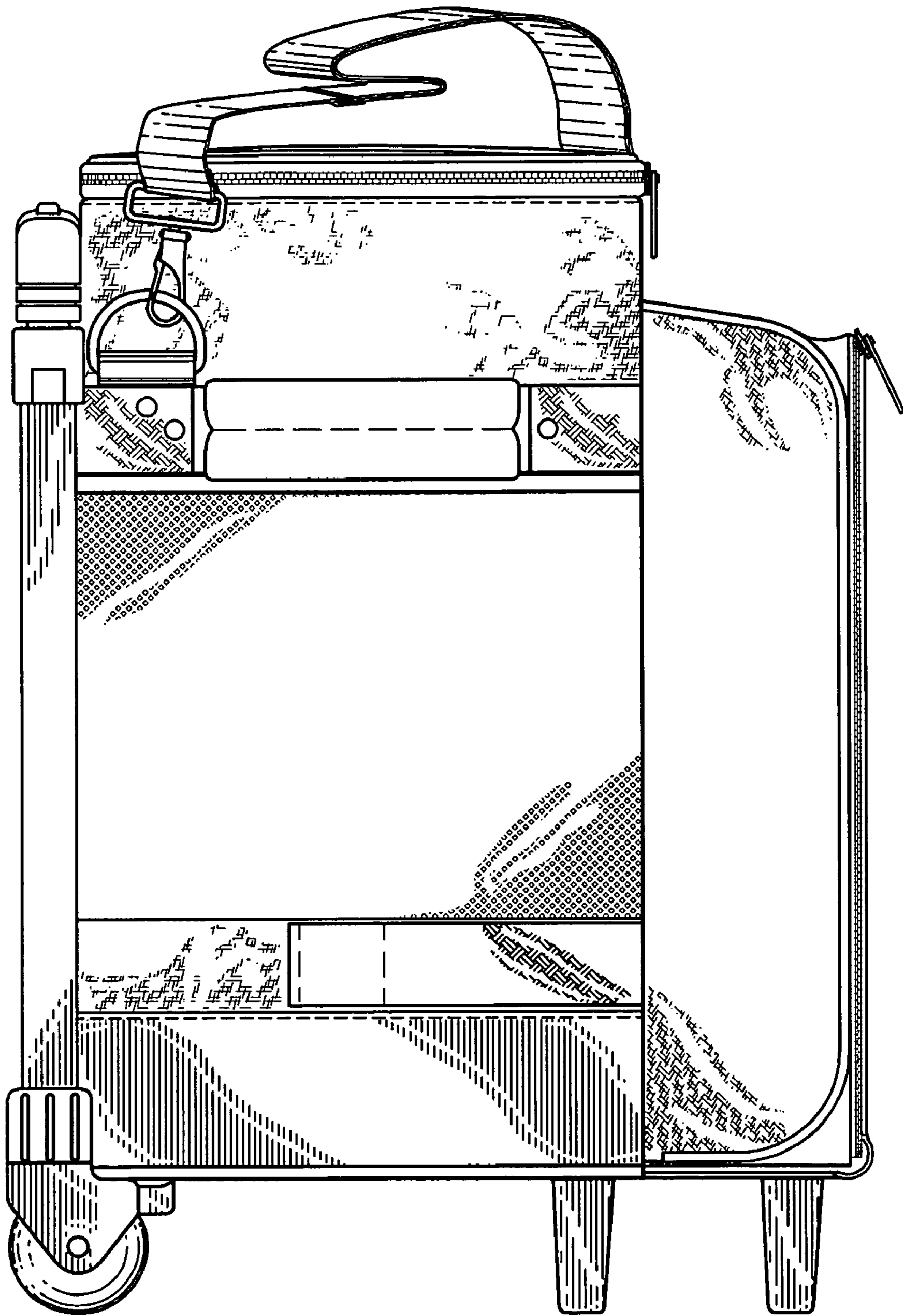


FIG. 2

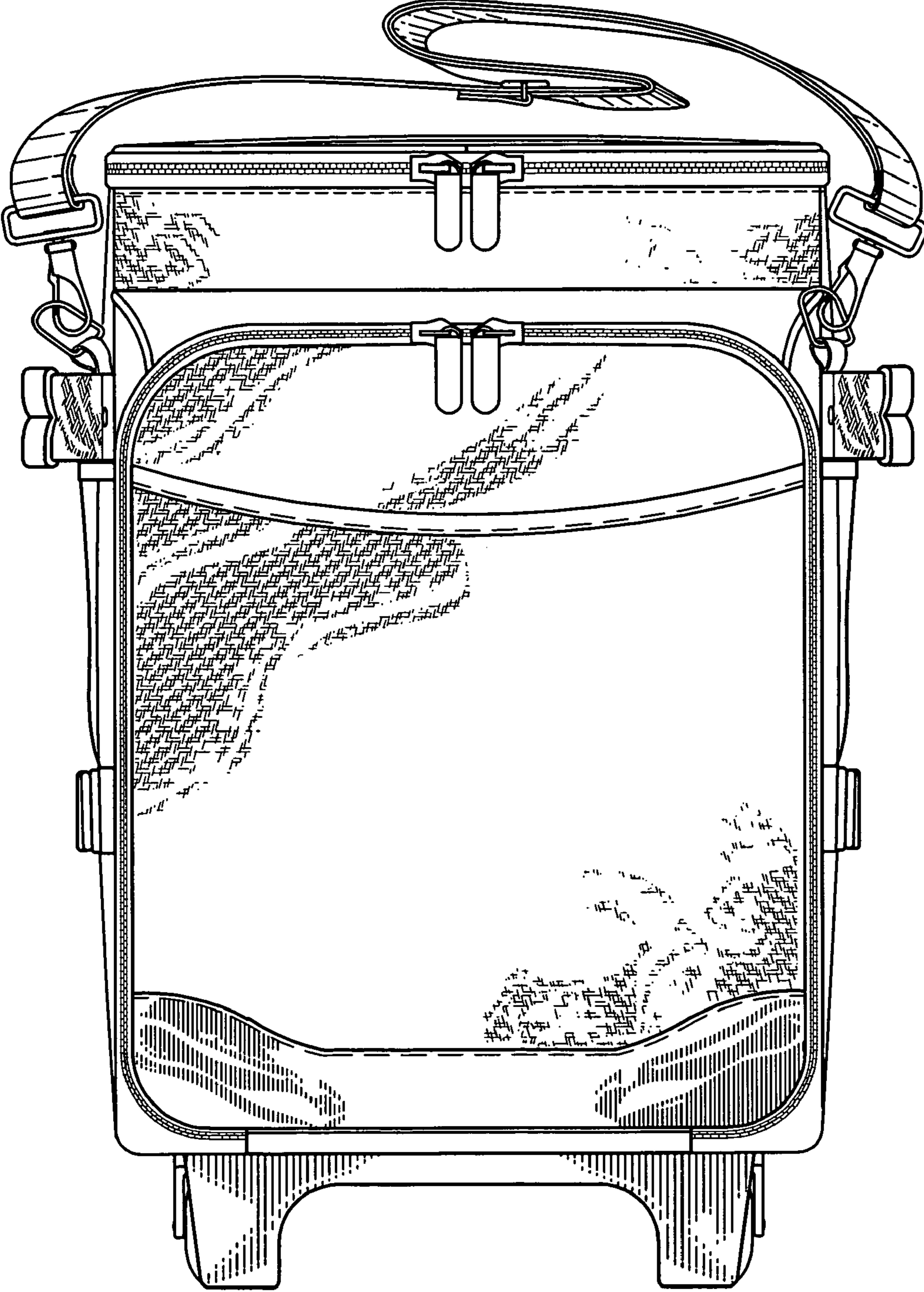


FIG. 3

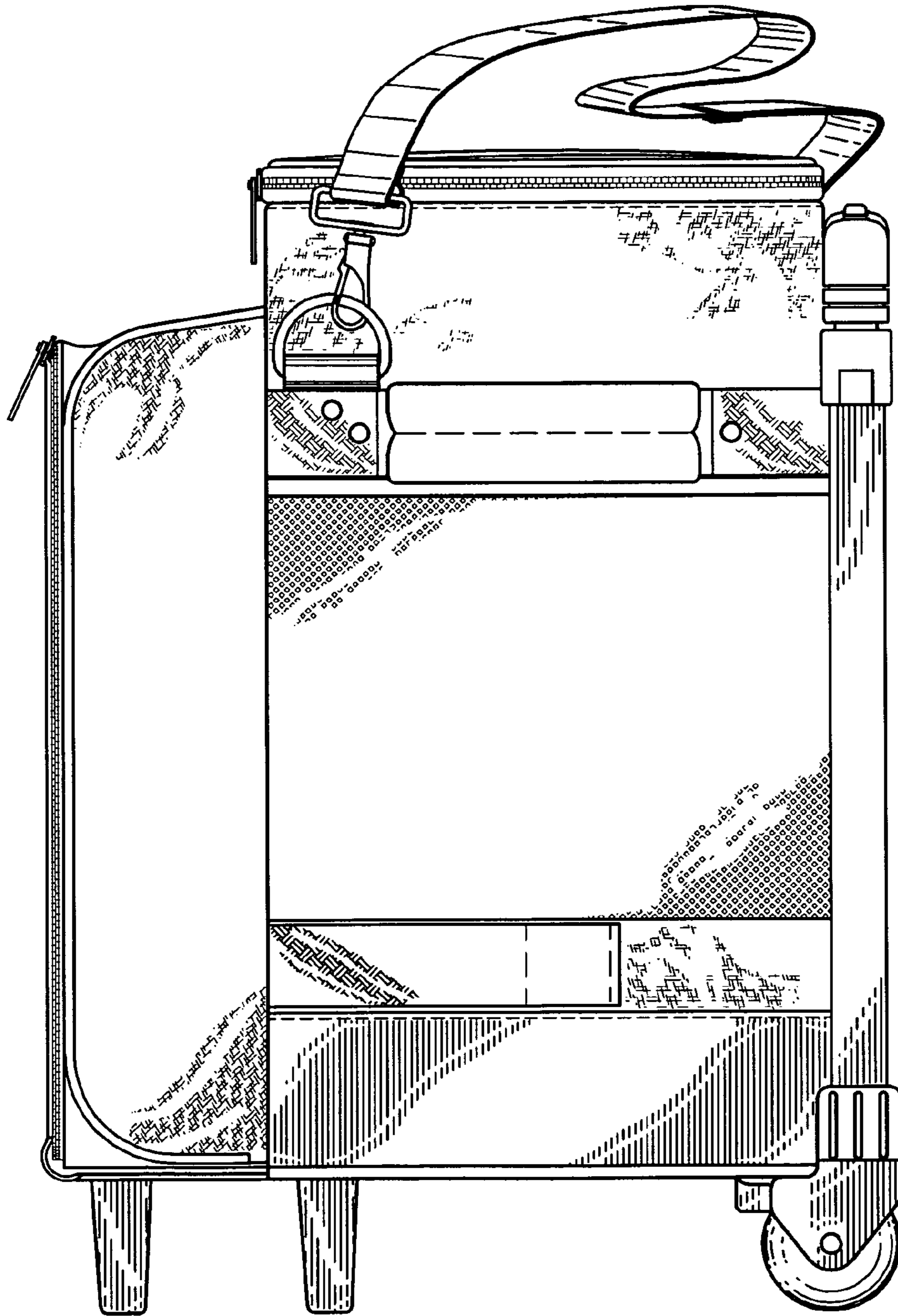


FIG. 4

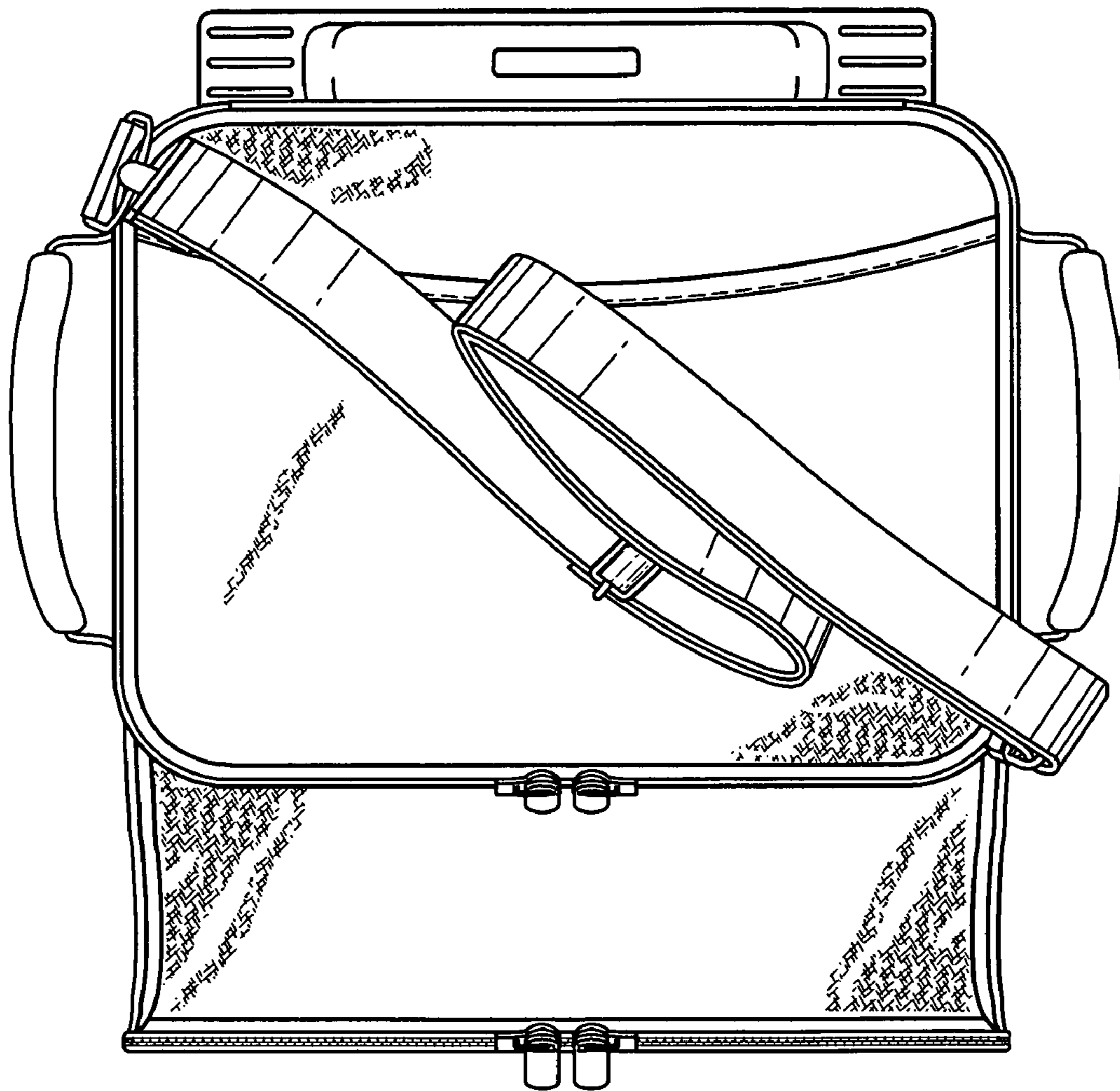


FIG. 5

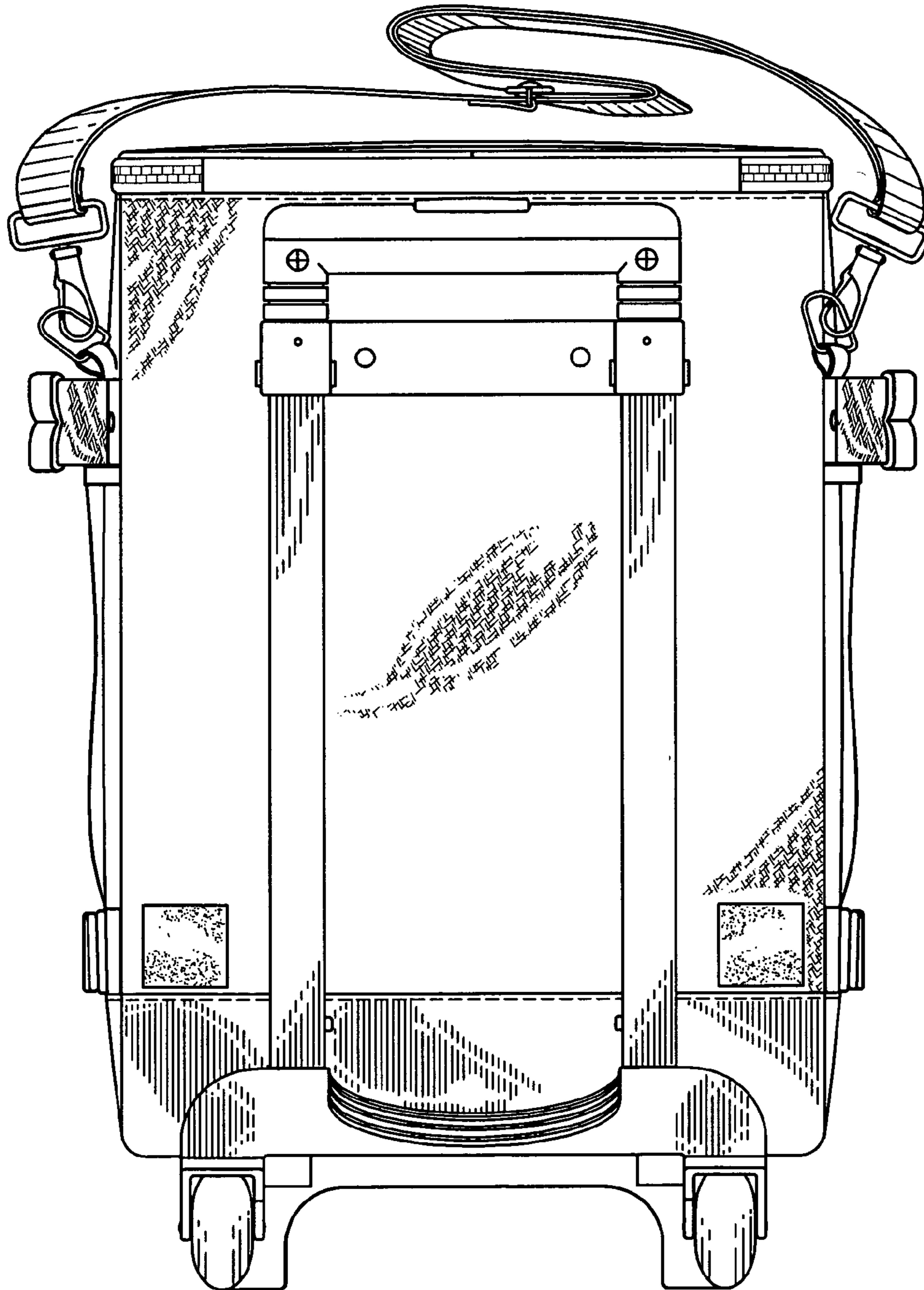


FIG. 6

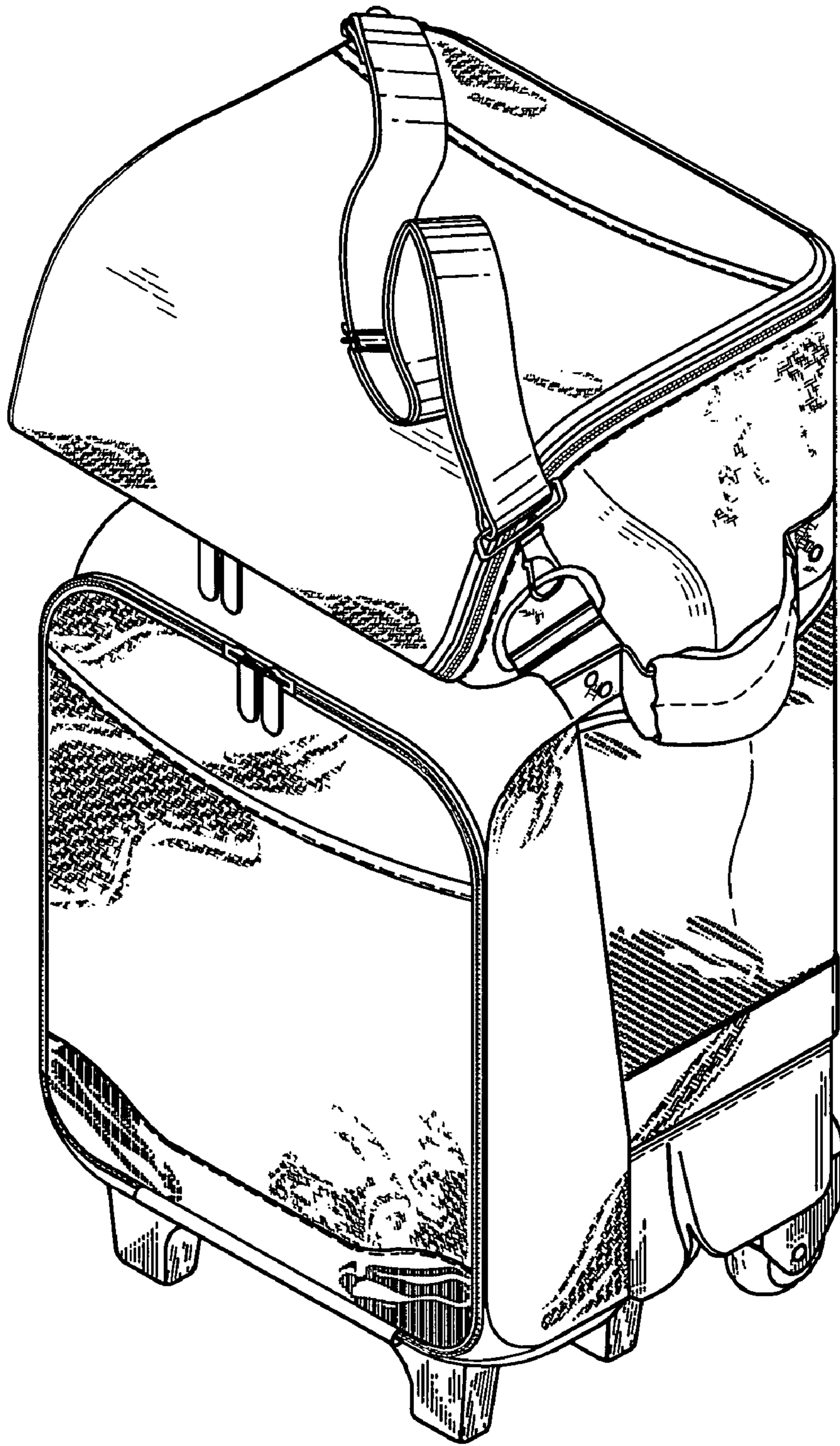


FIG. 7

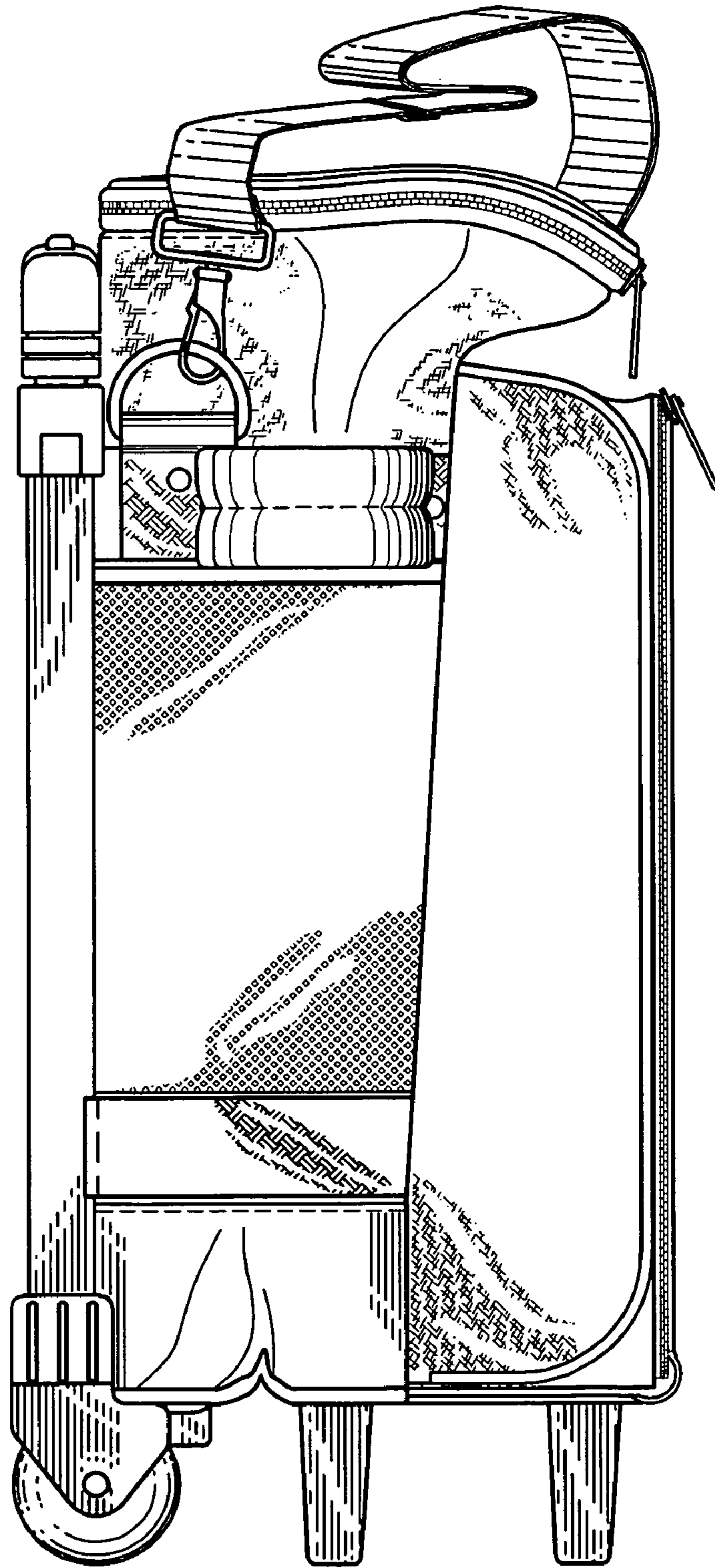


FIG. 8

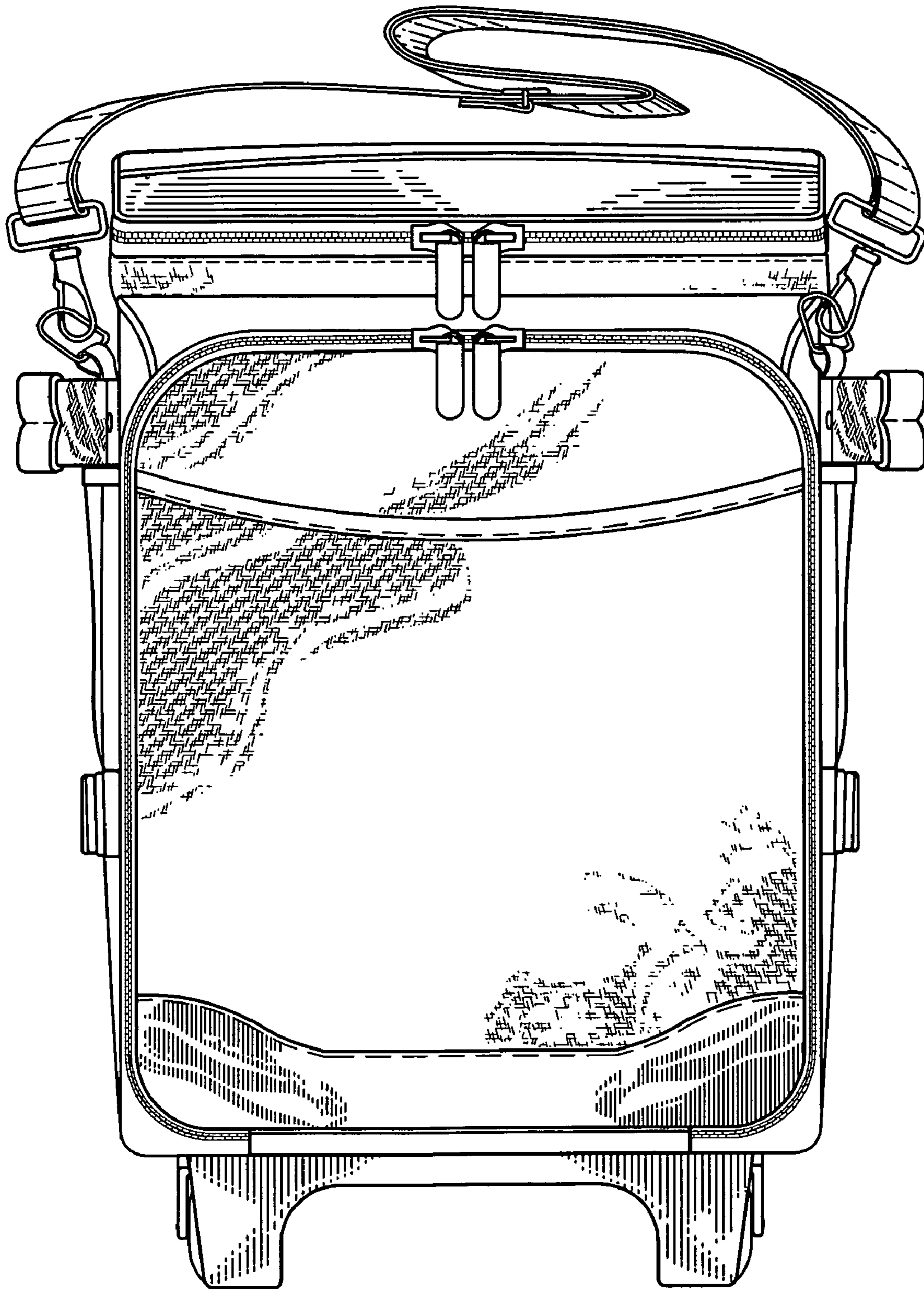


FIG. 9

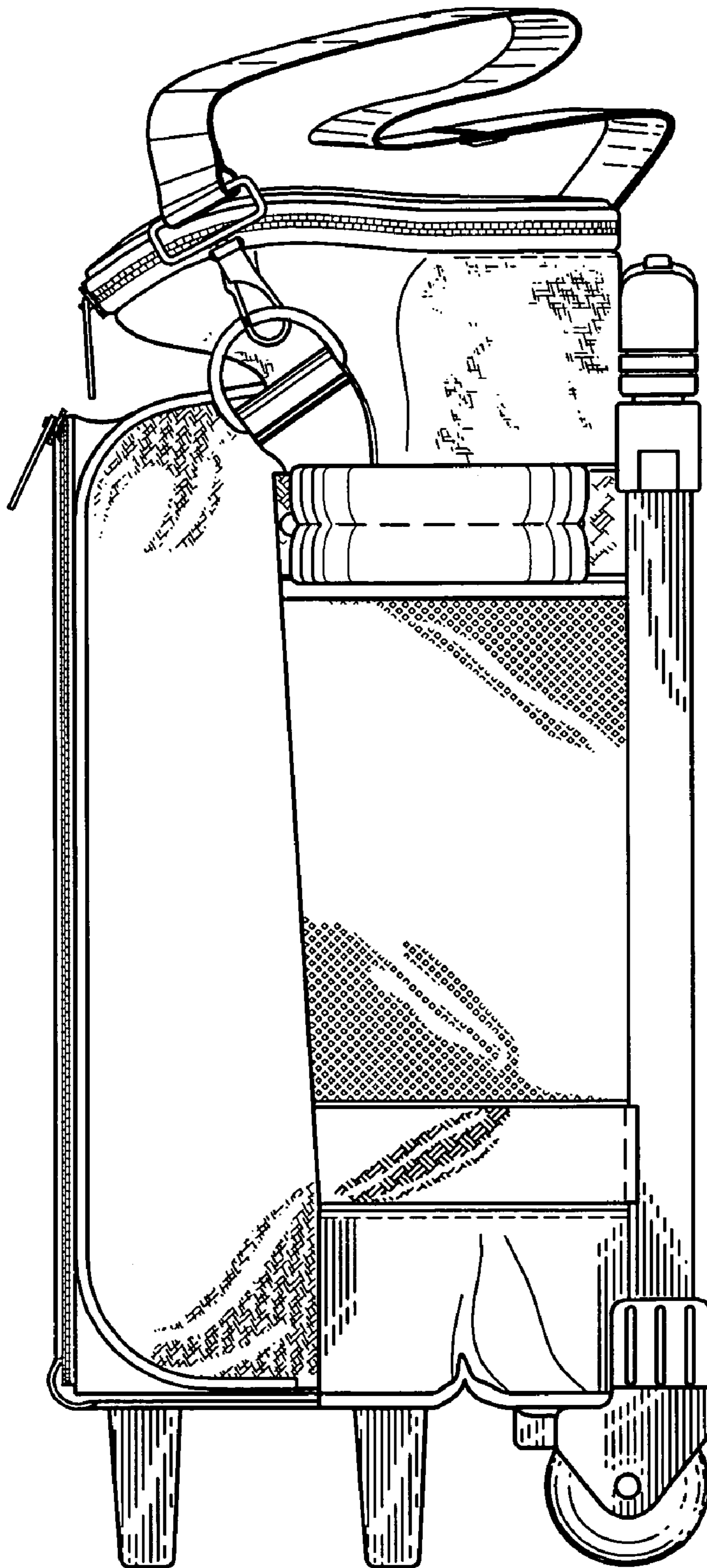


FIG. 10

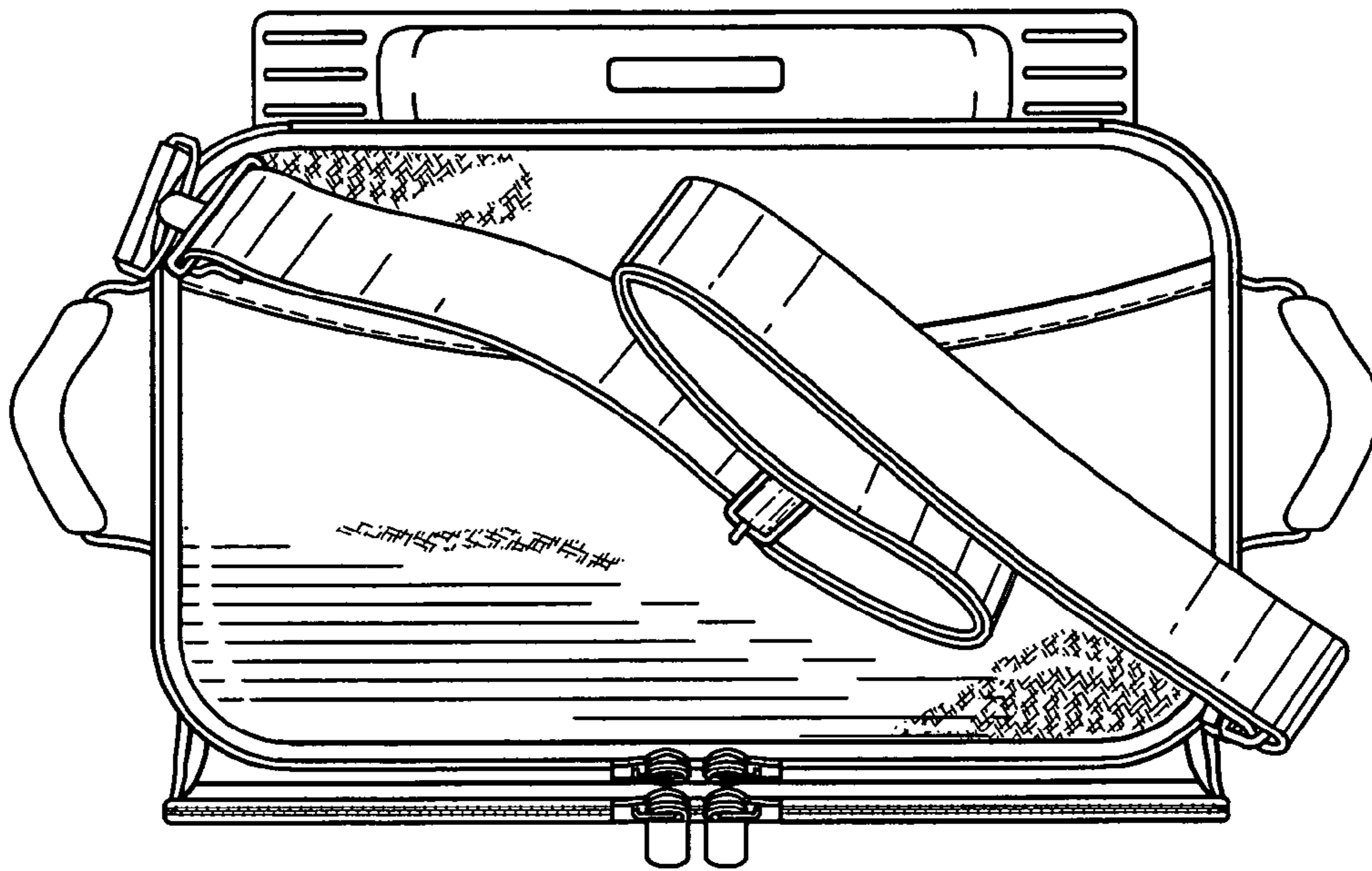


FIG. 11