



US00D608600S

(12) **United States Design Patent**
Wood et al.

(10) **Patent No.:** **US D608,600 S**
(45) **Date of Patent:** **** Jan. 26, 2010**

(54) **PERSONAL MULTI USE BEVERAGE COOLER**

(76) Inventors: **George Wood**, 4525 Sequoia Dr., Oakwood, GA (US) 30566; **Paul Boucher**, 3500 SW. 42nd. Ave., Palm City, FL (US) 34990

(**) Term: **14 Years**

(21) Appl. No.: **29/337,504**

(22) Filed: **May 22, 2009**

(51) **LOC (9) Cl.** **07-01**

(52) **U.S. Cl.** **D7/605; D7/624.2**

(58) **Field of Classification Search** D7/603–608, D7/619.1–625; 62/457.1–457.9, 371, 530; 220/915.1, 915.2, 592.01, 592.09, 592.2, 220/739, 737, 902; D9/444

See application file for complete search history.

(56) **References Cited**

U.S. PATENT DOCUMENTS

3,309,893	A *	3/1967	Heffler et al.	62/372
D252,310	S *	7/1979	Shannon	D7/619.1
4,183,225	A	1/1980	Politte et al.	
4,324,111	A	4/1982	Edwards	
4,681,239	A	7/1987	Manns et al.	
4,721,216	A *	1/1988	Kinder	215/393
4,882,814	A	11/1989	Takahashi	
D330,146	S *	10/1992	Hunter	D7/605
5,924,304	A	7/1999	Sanchez	
6,094,935	A	8/2000	Stein	

D454,283	S *	3/2002	Kilgore	D7/619.1
6,357,253	B1	3/2002	Condy	
6,786,062	B1	9/2004	Greenberg	
D528,869	S *	9/2006	VanHook	D7/619.1
D564,258	S *	3/2008	Palmer	D6/466
D576,486	S *	9/2008	Koza	D9/432

* cited by examiner

Primary Examiner—Terry A Wallace
(74) *Attorney, Agent, or Firm*—McHale & Slavin, P.A.

(57) **CLAIM**

The ornamental design for a personal multi use beverage cooler, as shown and described.

DESCRIPTION

FIG. 1 is a perspective view of the personal multi use beverage cooler of the instant invention;

FIG. 2 is a front view thereof;

FIG. 3 is a left side view thereof;

FIG. 4 is a rear view thereof;

FIG. 5 is a right side view thereof;

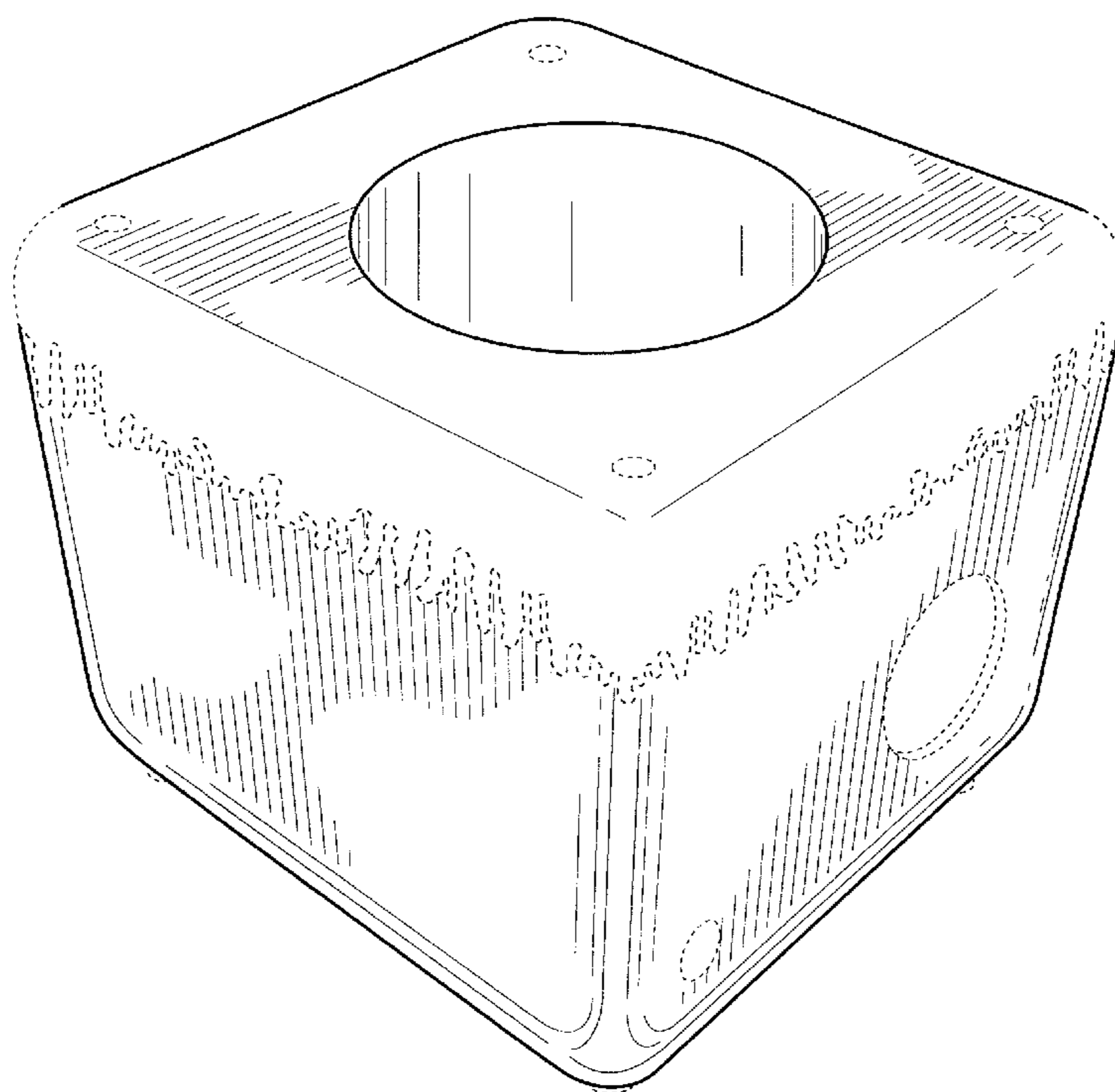
FIG. 6 is a top view thereof;

FIG. 7 is a bottom view thereof; and,

FIG. 8 is a perspective view of the personal multi use beverage cooler with a beverage can illustrated.

The broken lines are for illustrative purposes only and form no part of the claimed design.

1 Claim, 8 Drawing Sheets



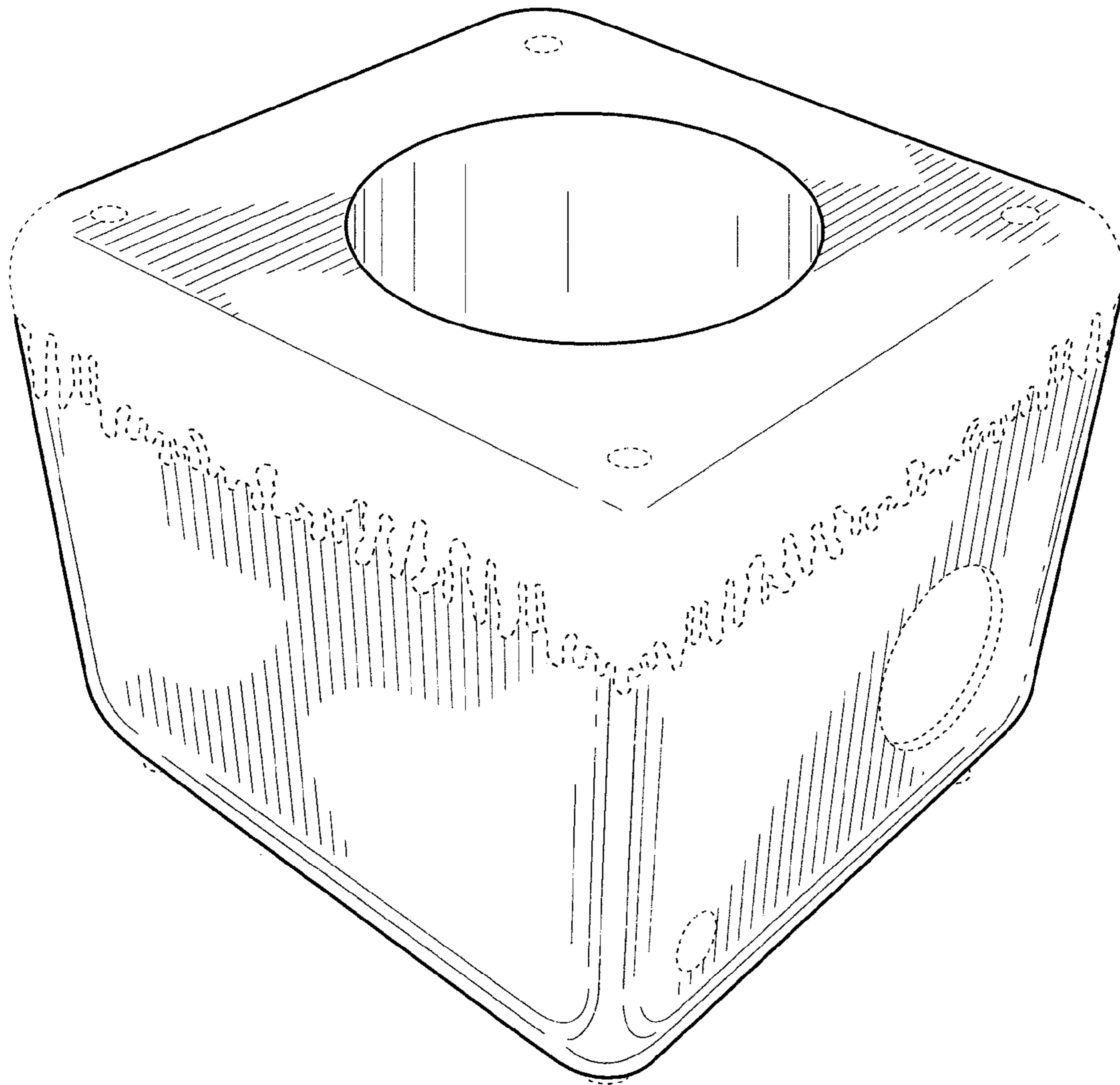


FIG. 1

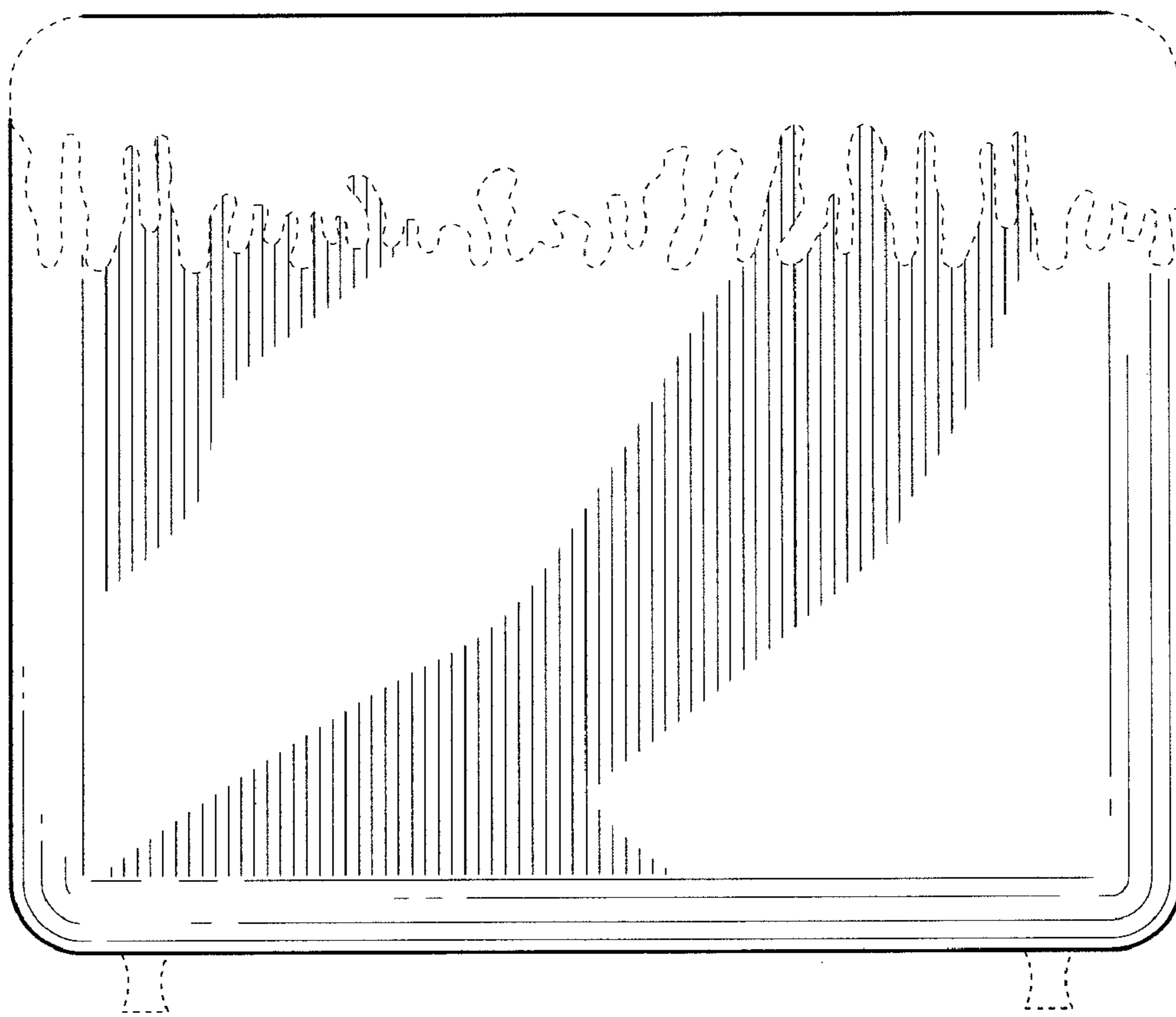


FIG. 2

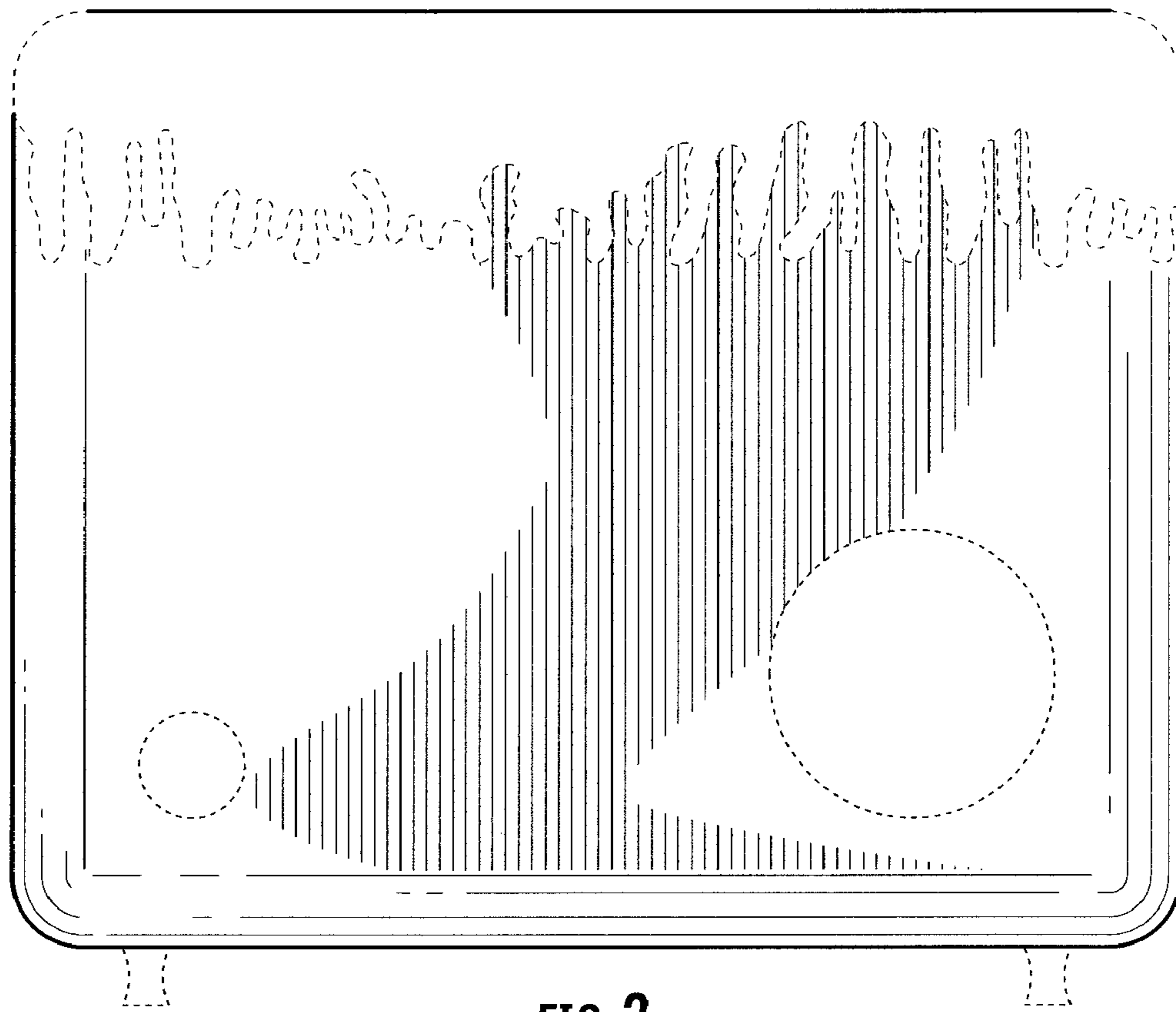


FIG. 3

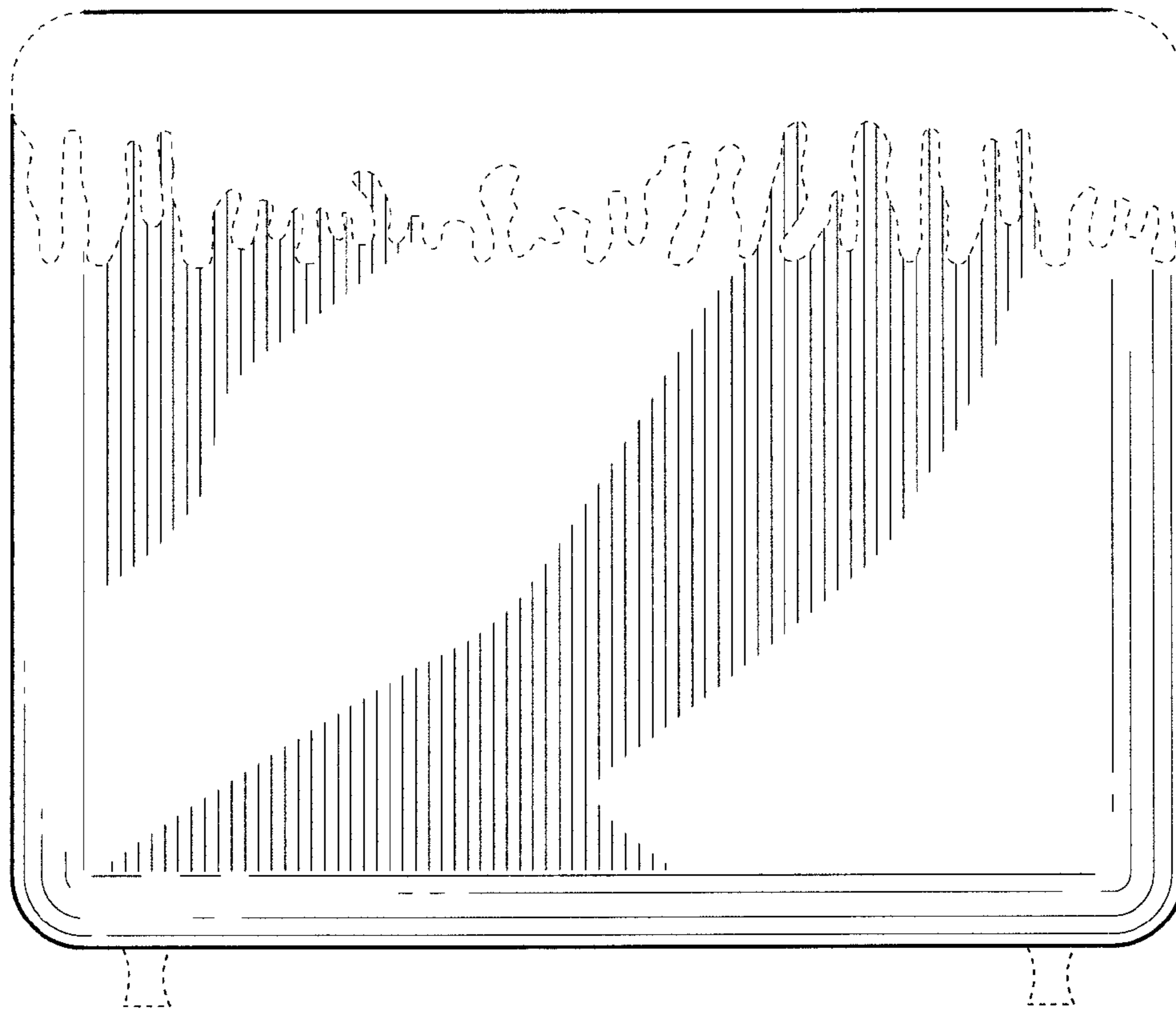


FIG. 4

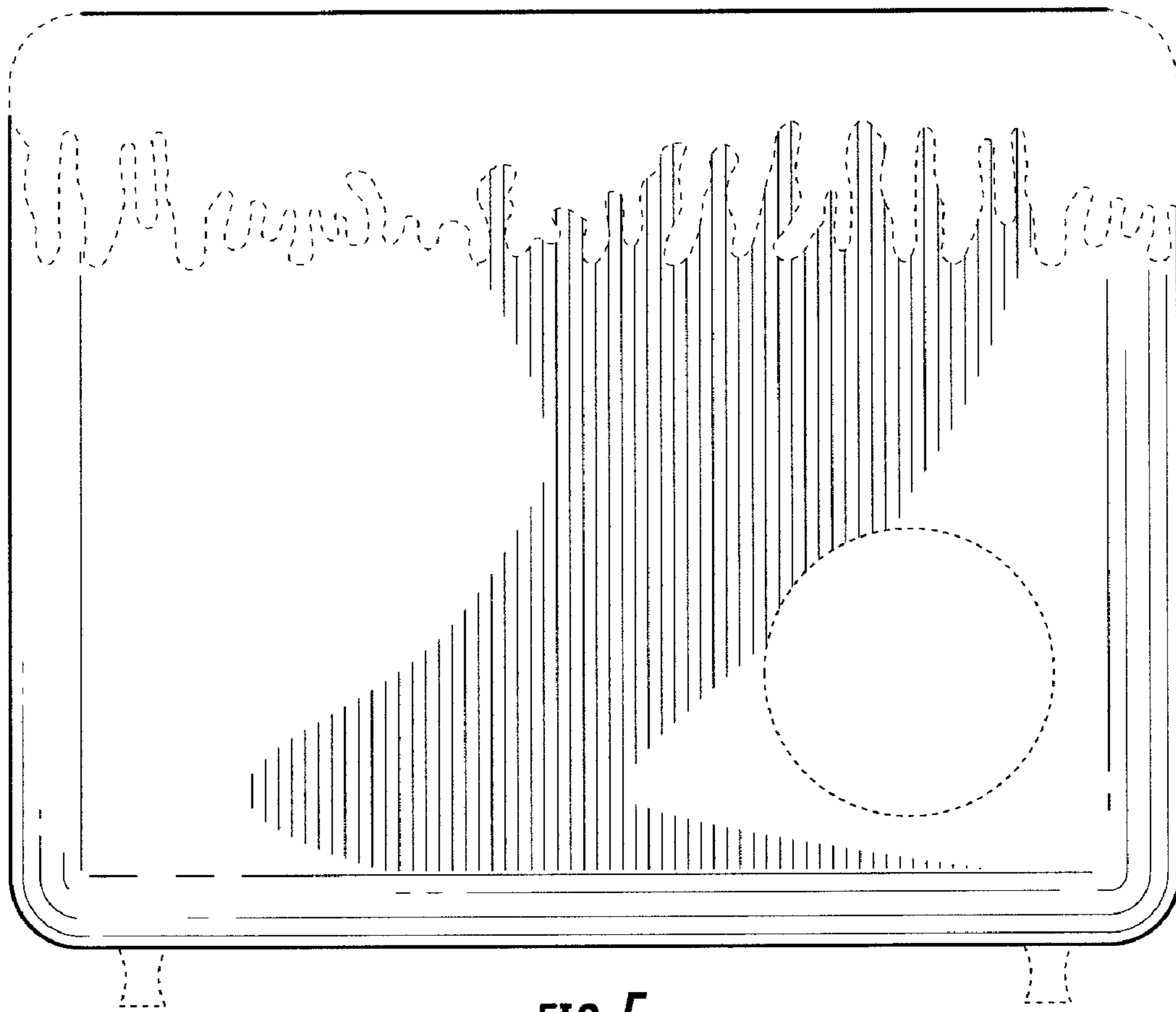


FIG. 5

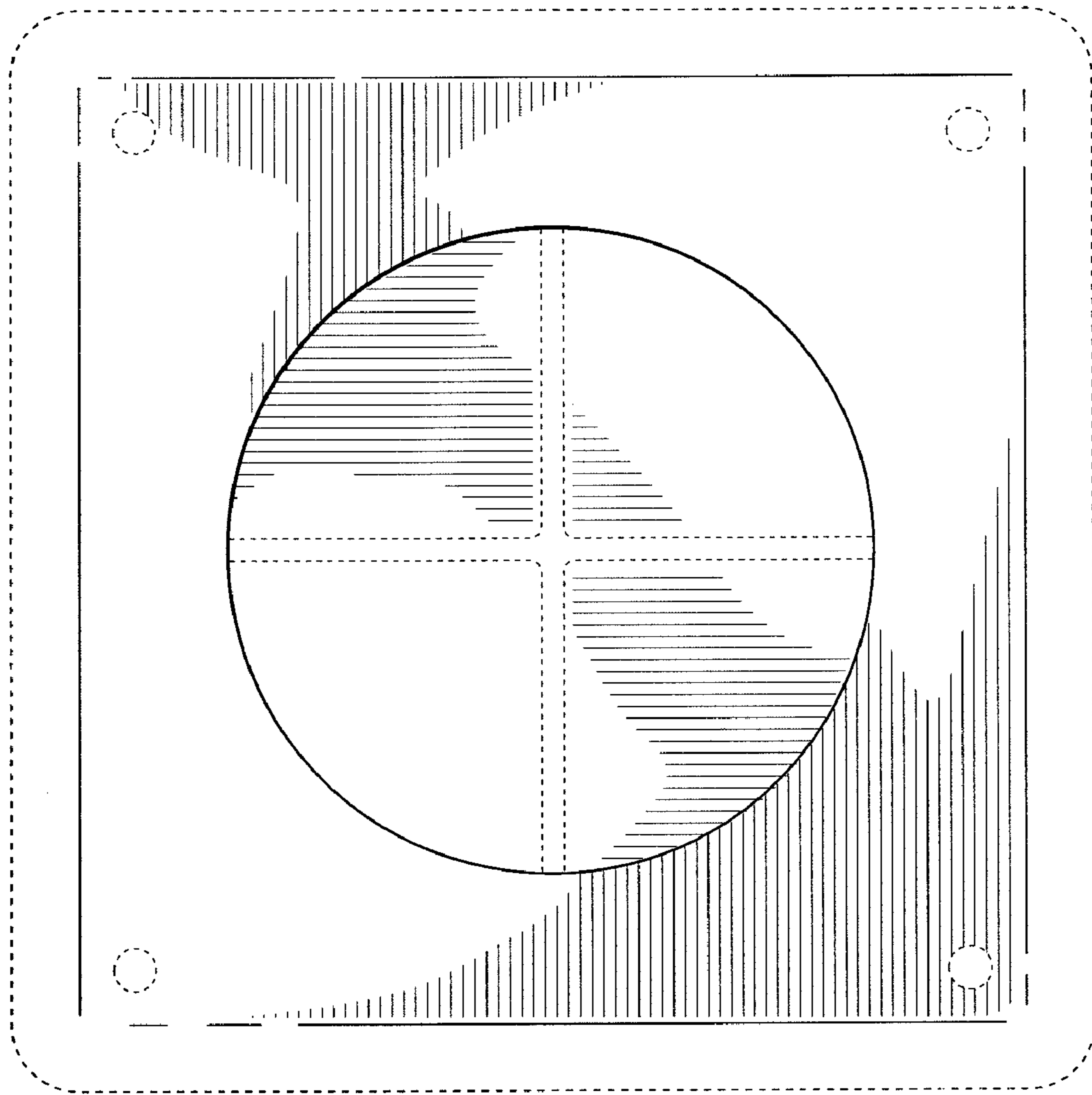


FIG. 6

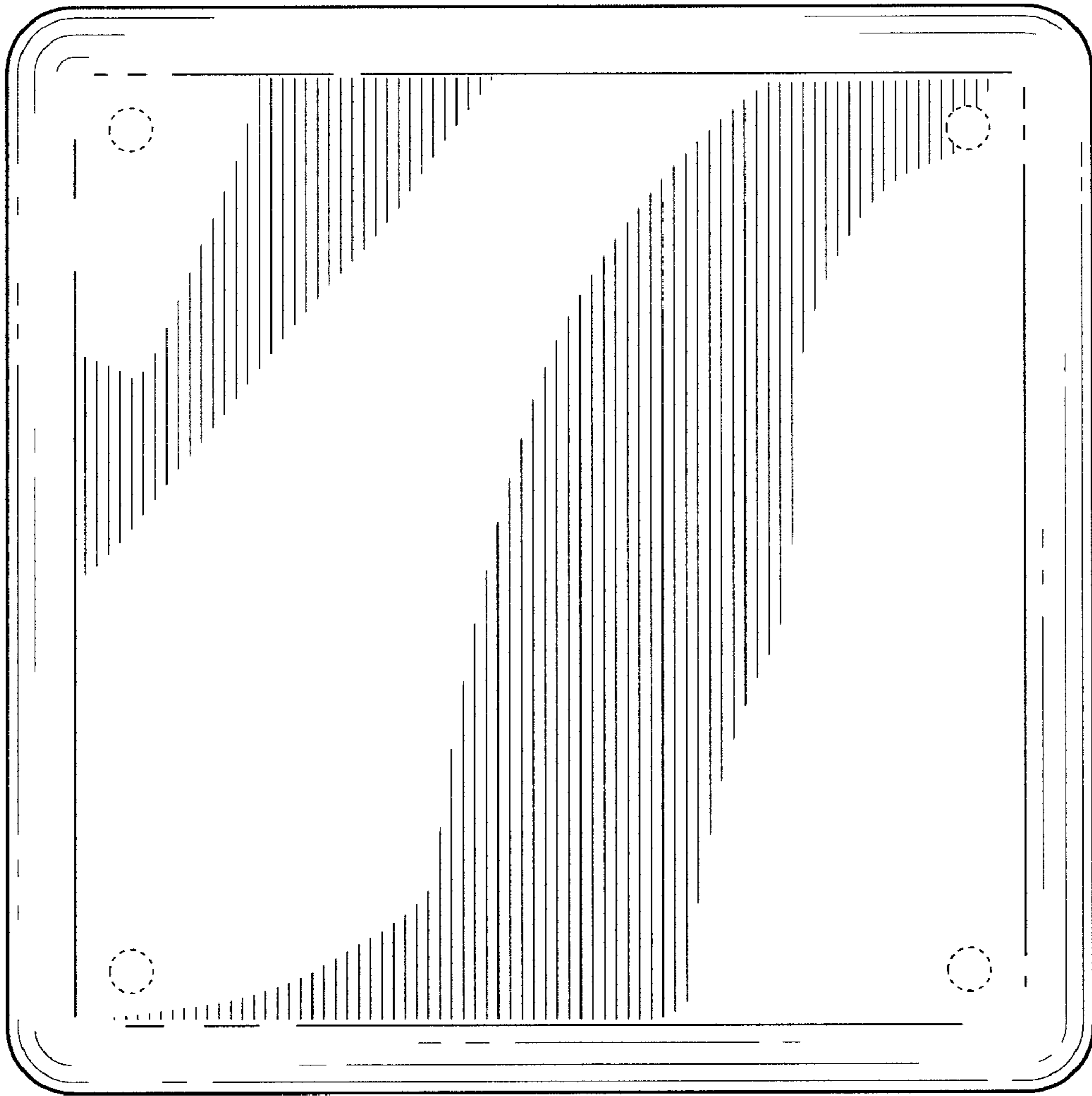


FIG. 7

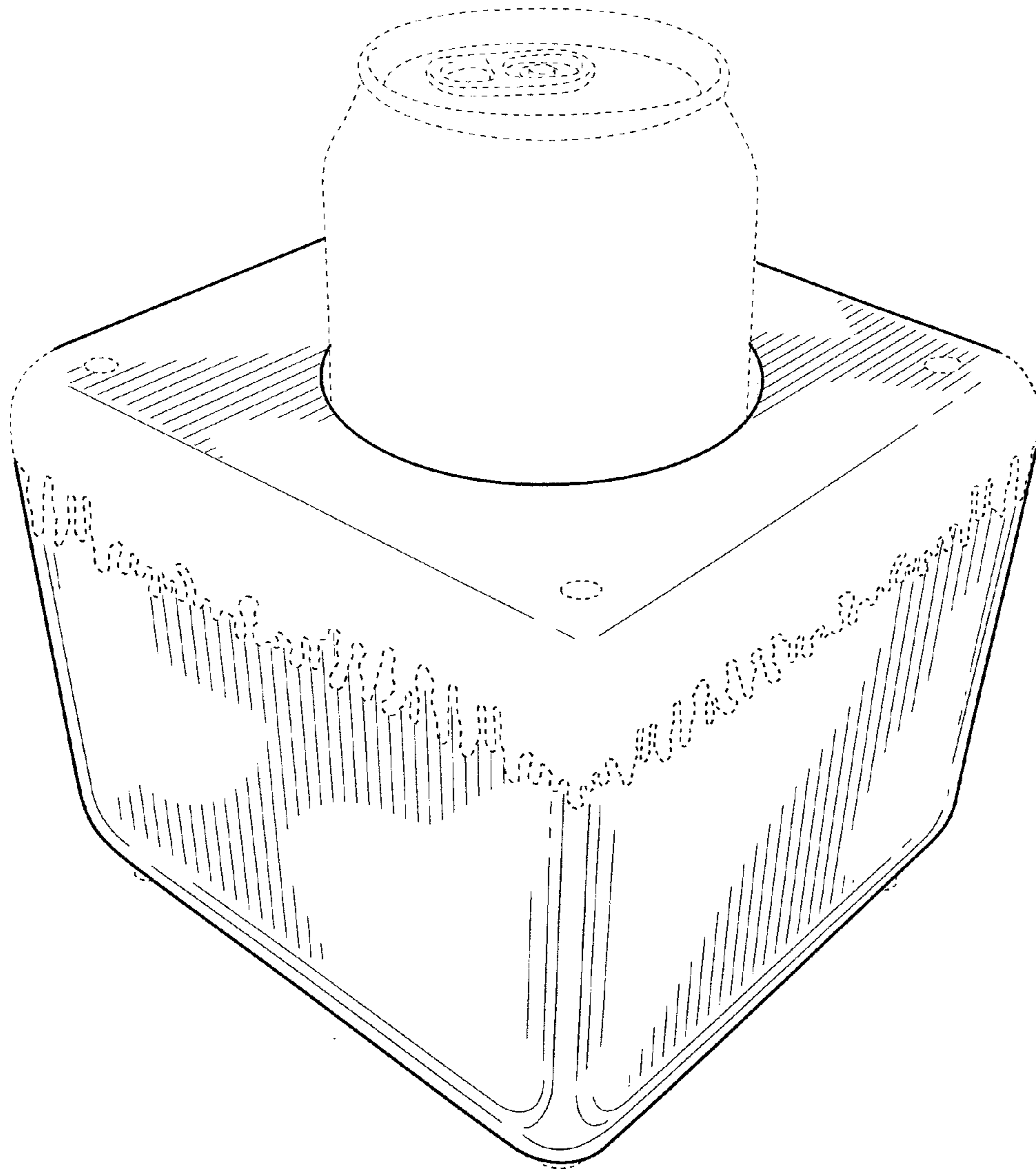


FIG. 8