

US00D608599S

(12) **United States Design Patent**
Goodman et al.

(10) **Patent No.:** **US D608,599 S**
(45) **Date of Patent:** **** Jan. 26, 2010**

(54) **BREAD BASKET**

(75) Inventors: **Sheldon H. Goodman**, Solon, OH (US);
Omer I. Sazir, Cleveland, OH (US)

(73) Assignee: **Spectrum Diversified Designs, Inc.**,
Streetsboro, OH (US)

(**) Term: **14 Years**

(21) Appl. No.: **29/330,849**

(22) Filed: **Jan. 15, 2009**

(51) **LOC (9) Cl.** **07-01**

(52) **U.S. Cl.** **D7/601**

(58) **Field of Classification Search** D7/601,
D7/602, 629, 704, 409, 584-587, 500; D6/525,
D6/566, 567, 511, 572, 574, 537, 540; D19/76;
D3/304, 306; 211/181.1, 13.1, 41.3, 41.4,
211/86.01, 88.01; 220/574-575
See application file for complete search history.

(56) **References Cited**

U.S. PATENT DOCUMENTS

D274,880 S * 7/1984 Bentson D7/409

D339,266 S * 9/1993 Lockett D7/409
D359,593 S * 6/1995 Schultz D30/131
D371,228 S * 6/1996 Monin D30/121
D526,454 S * 8/2006 Plikuhn D32/55
D539,542 S * 4/2007 Acikgoz et al. D3/306
D545,137 S * 6/2007 Furlong et al. D7/629

* cited by examiner

Primary Examiner—Terry A Wallace

(74) *Attorney, Agent, or Firm*—Pearne & Gordon LLP

(57) **CLAIM**

The ornamental design for a bread basket, as shown and described.

DESCRIPTION

FIG. 1 is a perspective view of a bread basket, showing our new design;

FIG. 2 is a top plan view thereof;

FIG. 3 is a front elevational view thereof;

FIG. 4 is a side elevational view thereof; and,

FIG. 5 is a bottom plan view thereof.

1 Claim, 3 Drawing Sheets

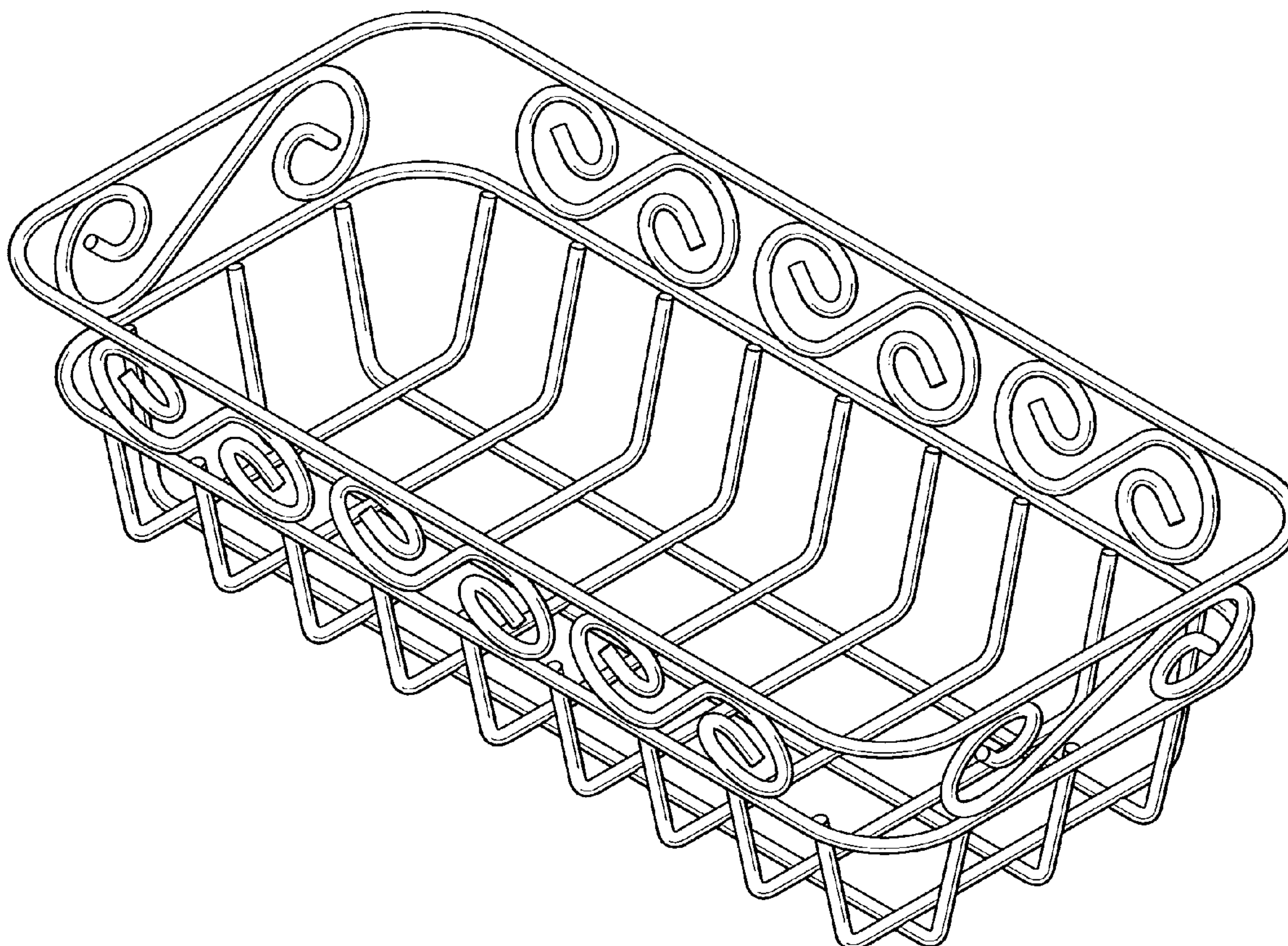
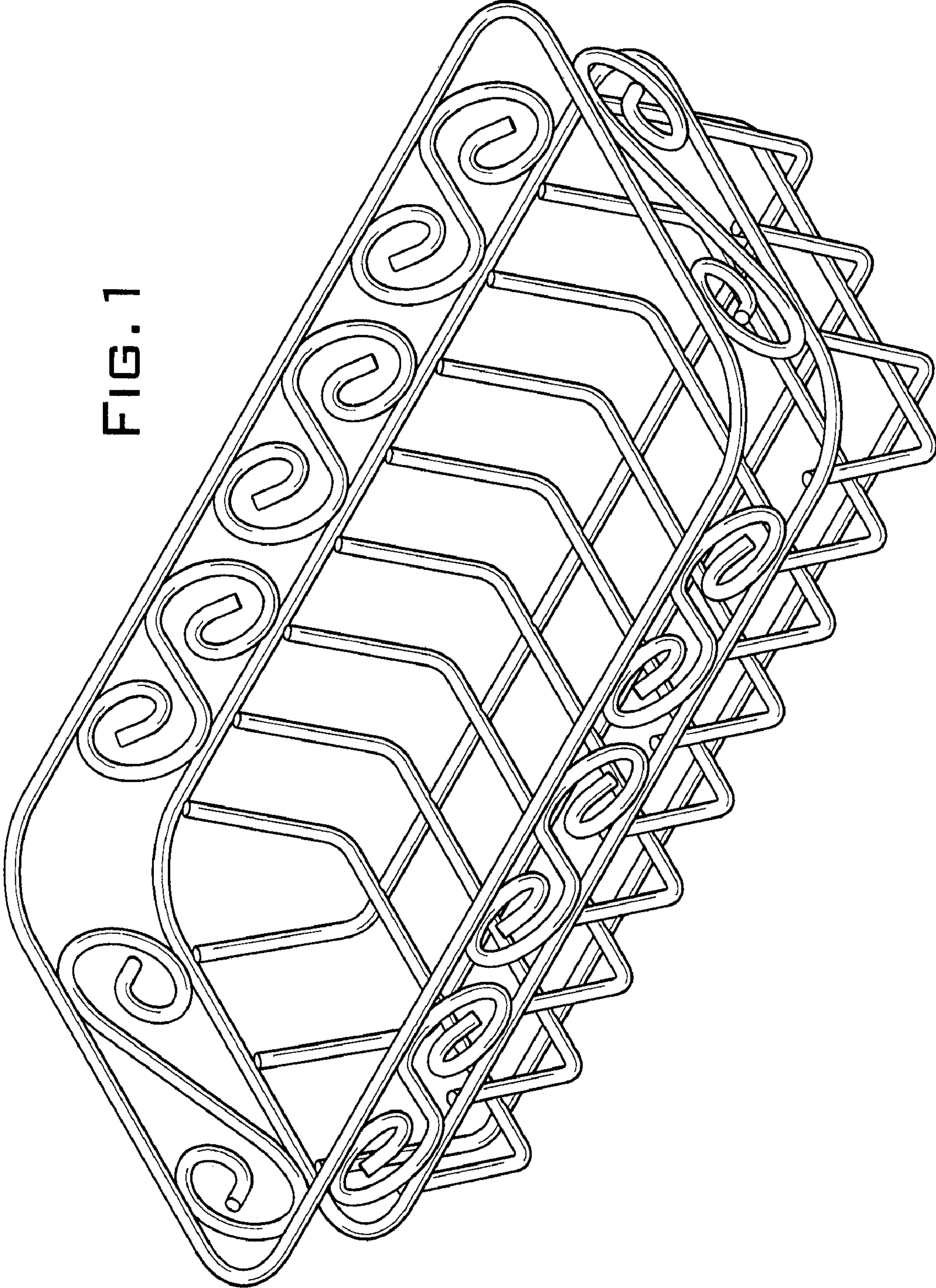


FIG. 1



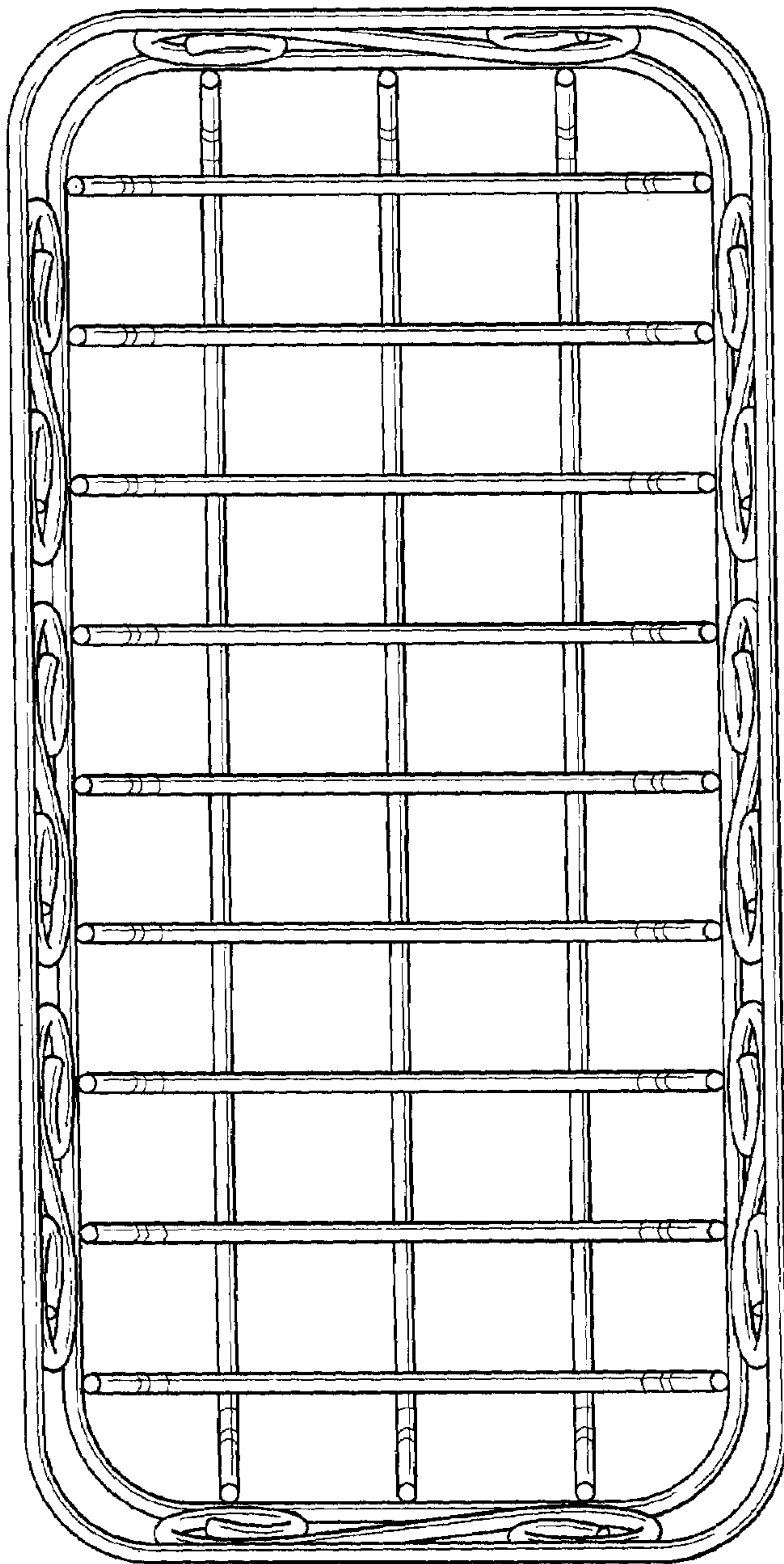


FIG. 2

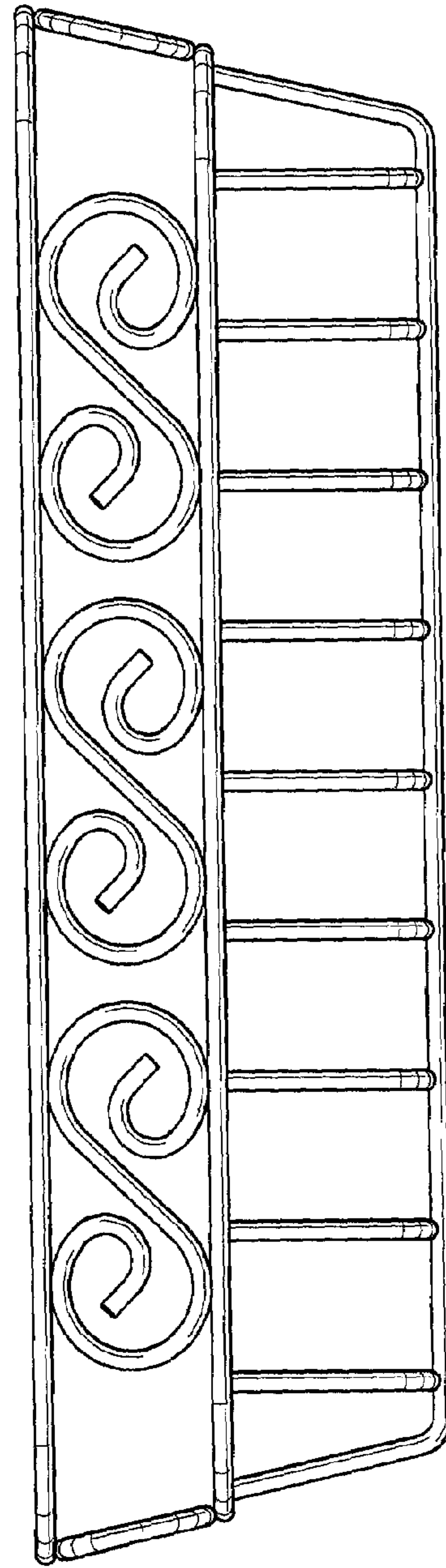


FIG. 3

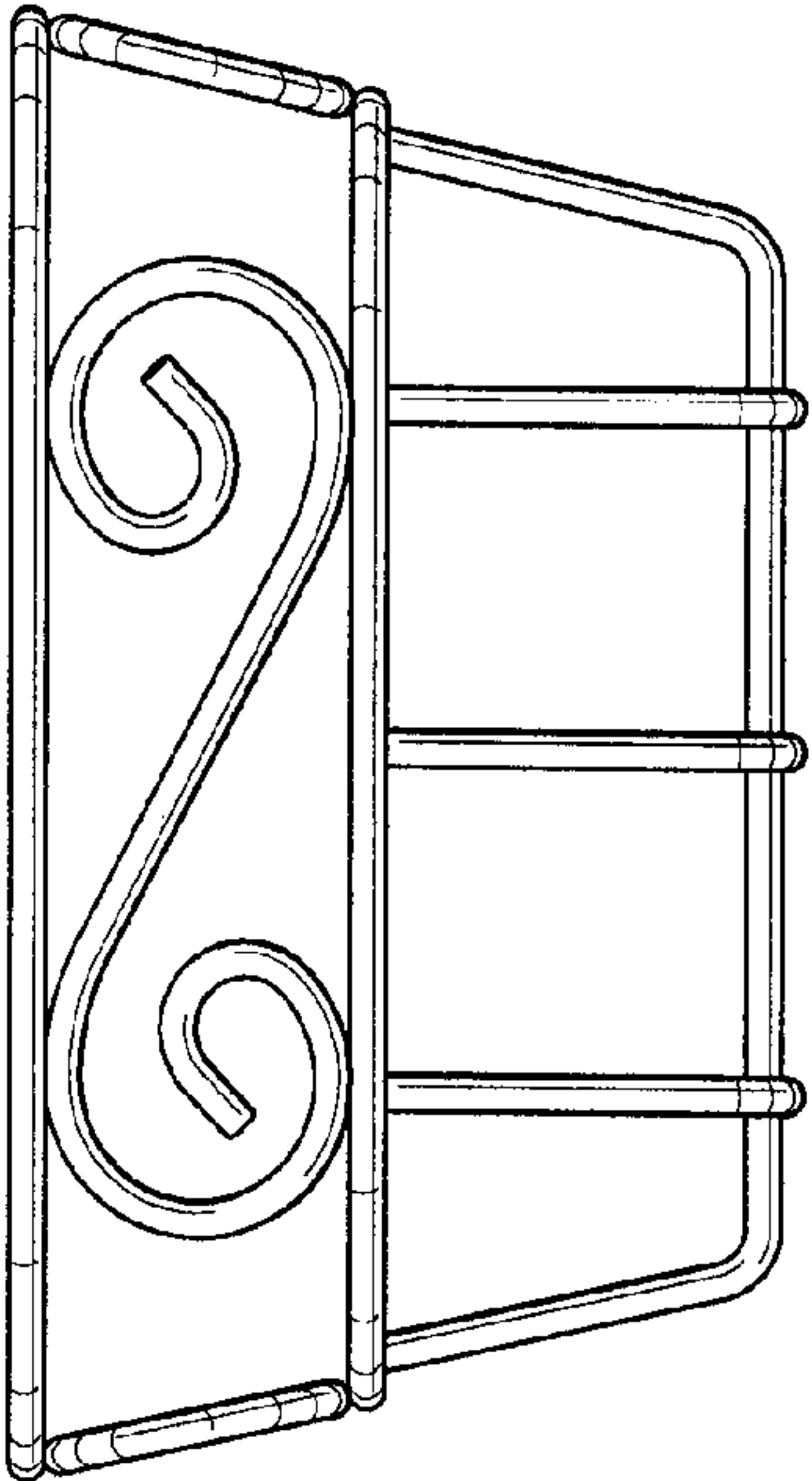


FIG. 4

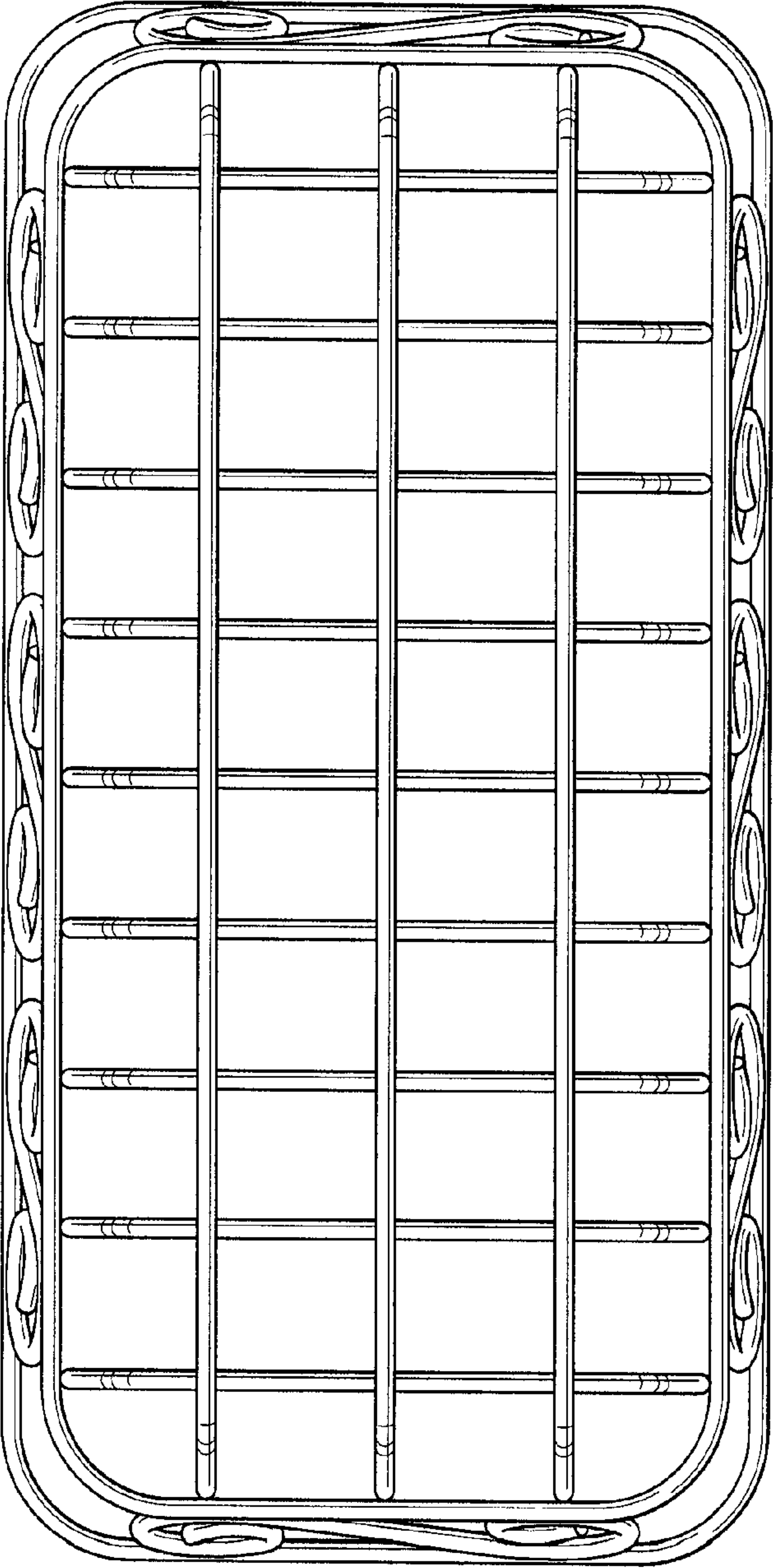


FIG. 5