



US00D608597S

(12) **United States Design Patent**  
**Goodman et al.**

(10) **Patent No.:** **US D608,597 S**  
(45) **Date of Patent:** **\*\* Jan. 26, 2010**

(54) **SALT AND PEPPER SHAKER HOLDER**

(75) Inventors: **Sheldon H. Goodman**, Solon, OH (US);  
**Omer I. Sazir**, Cleveland, OH (US)

(73) Assignee: **Spectrum Diversified Designs, Inc.**,  
Streetsboro, OH (US)

(\*\*) Term: **14 Years**

(21) Appl. No.: **29/330,847**

(22) Filed: **Jan. 15, 2009**

(51) **LOC (9) Cl.** ..... **07-06**

(52) **U.S. Cl.** ..... **D7/600.1**

(58) **Field of Classification Search** ..... D7/590,  
D7/592, 600, 600.1–600.4, 601–602, 606–608,  
D7/701, 704–706, 619.1–619.2, 622, 624.1–624.2,  
D7/625, 628, 641, 401.1, 213, 388; 220/737,  
220/743, 485–487, 491; 248/107; 211/71.01,  
211/74, 85.31, 133.2, 133.5, 181.1  
See application file for complete search history.

(56) **References Cited**

**U.S. PATENT DOCUMENTS**

446,190 A \* 2/1891 Post ..... 206/162  
D74,007 S \* 12/1927 Farber ..... D7/706  
D494,020 S \* 8/2004 Compagnucci ..... D7/601  
D526,168 S \* 8/2006 Goodman et al. .... D7/704

D532,259 S \* 11/2006 Goodman et al. .... D7/637  
D538,609 S \* 3/2007 Goodman et al. .... D7/704  
D539,102 S \* 3/2007 Goodman et al. .... D7/637  
D587,073 S \* 2/2009 Goodman et al. .... D7/631  
D592,016 S \* 5/2009 Goodman et al. .... D7/624.1  
D592,426 S \* 5/2009 Goodman et al. .... D6/462

\* cited by examiner

*Primary Examiner*—Ian Simmons

*Assistant Examiner*—Dana L Sipos

(74) *Attorney, Agent, or Firm*—Pearne & Gordon LLP

(57) **CLAIM**

The ornamental design for a salt and pepper shaker holder, as shown and described.

**DESCRIPTION**

FIG. 1 is a perspective view of a salt and pepper shaker holder, showing our new design;

FIG. 2 is a top plan view thereof;

FIG. 3 is a side elevational view thereof;

FIG. 4 is a front elevational view thereof; and,

FIG. 5 is a bottom plan view thereof.

The broken-line showing in the drawings of salt and pepper shakers, illustrate environmental matter and form no part of the claimed design.

**1 Claim, 2 Drawing Sheets**

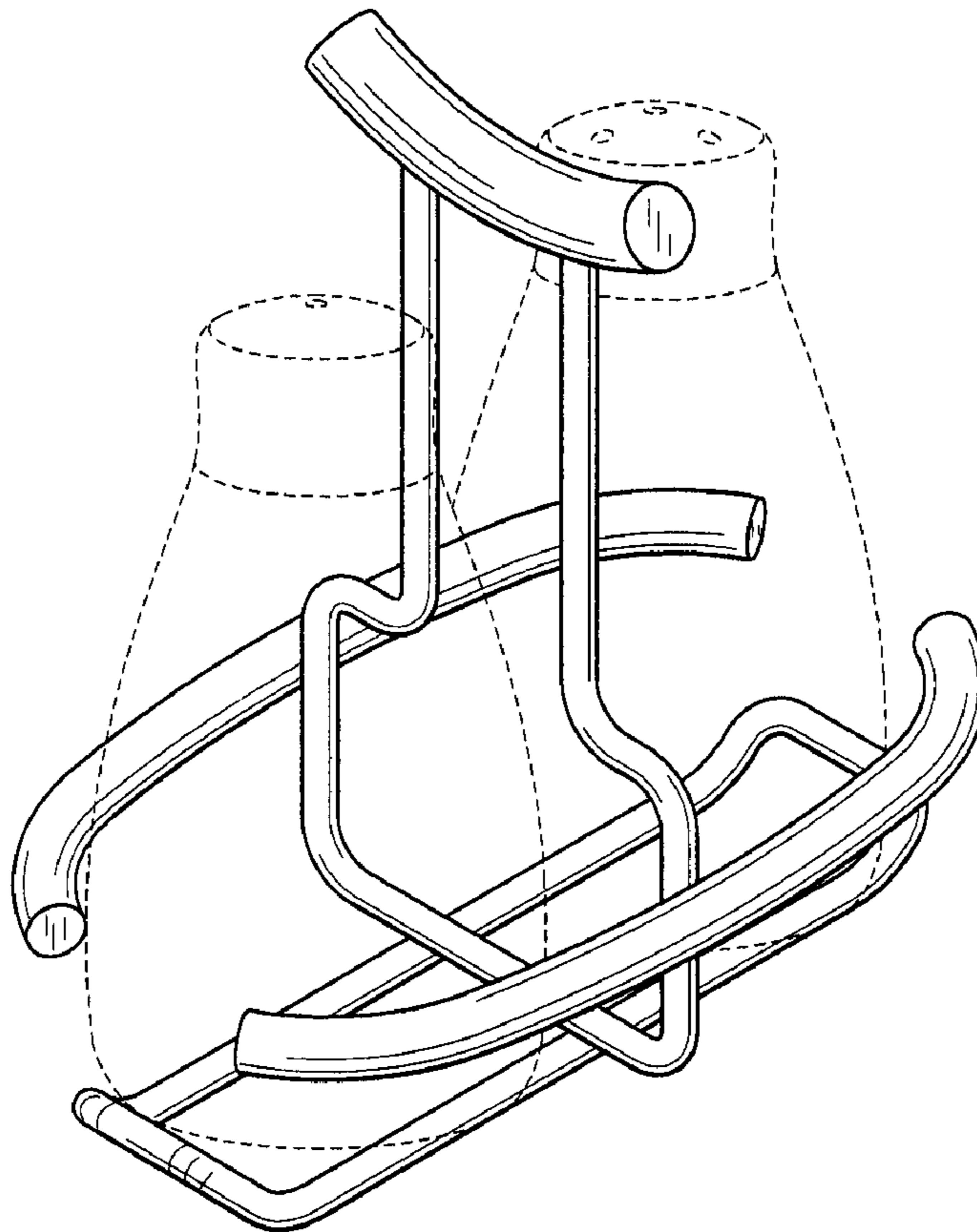


FIG. 1

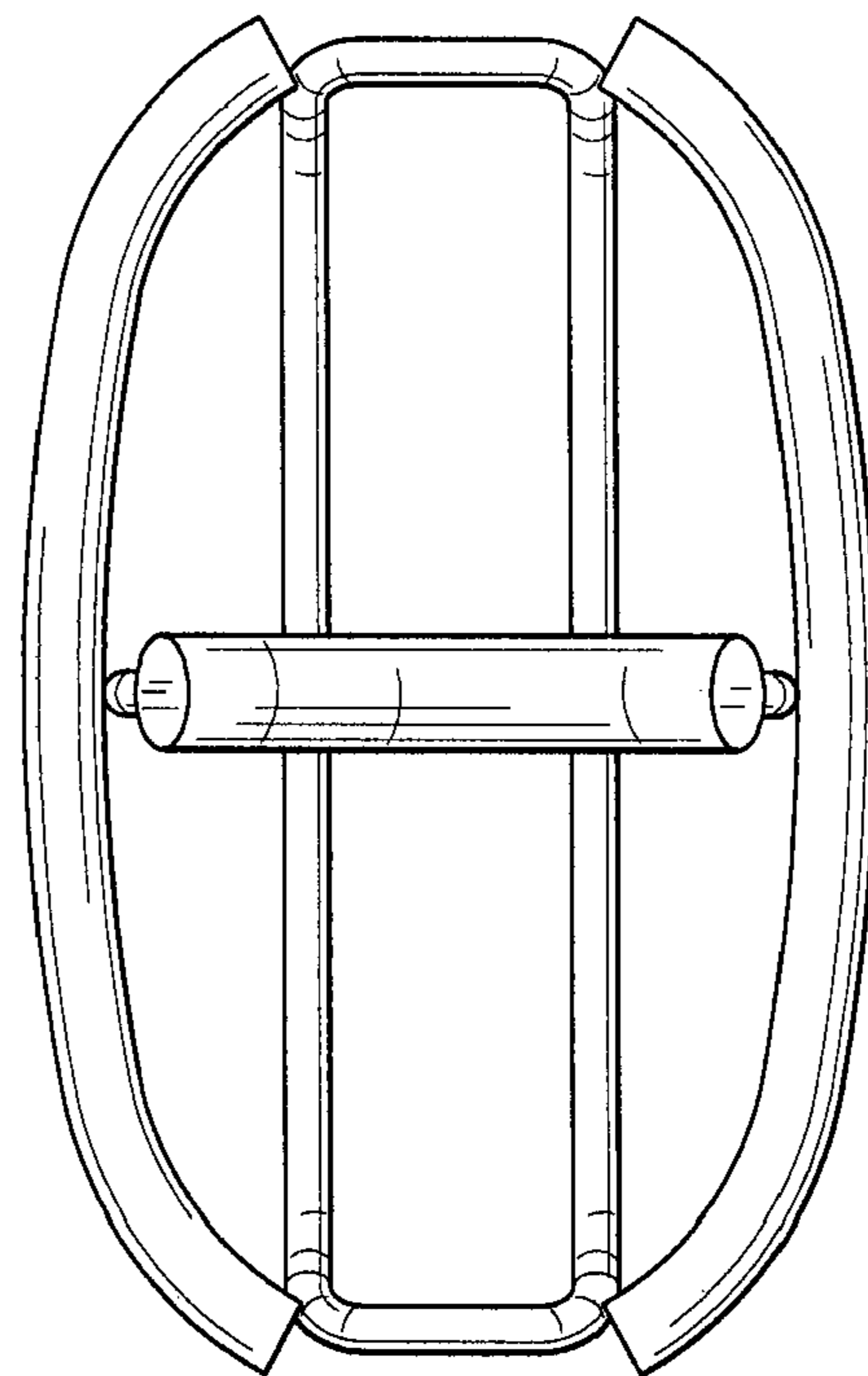
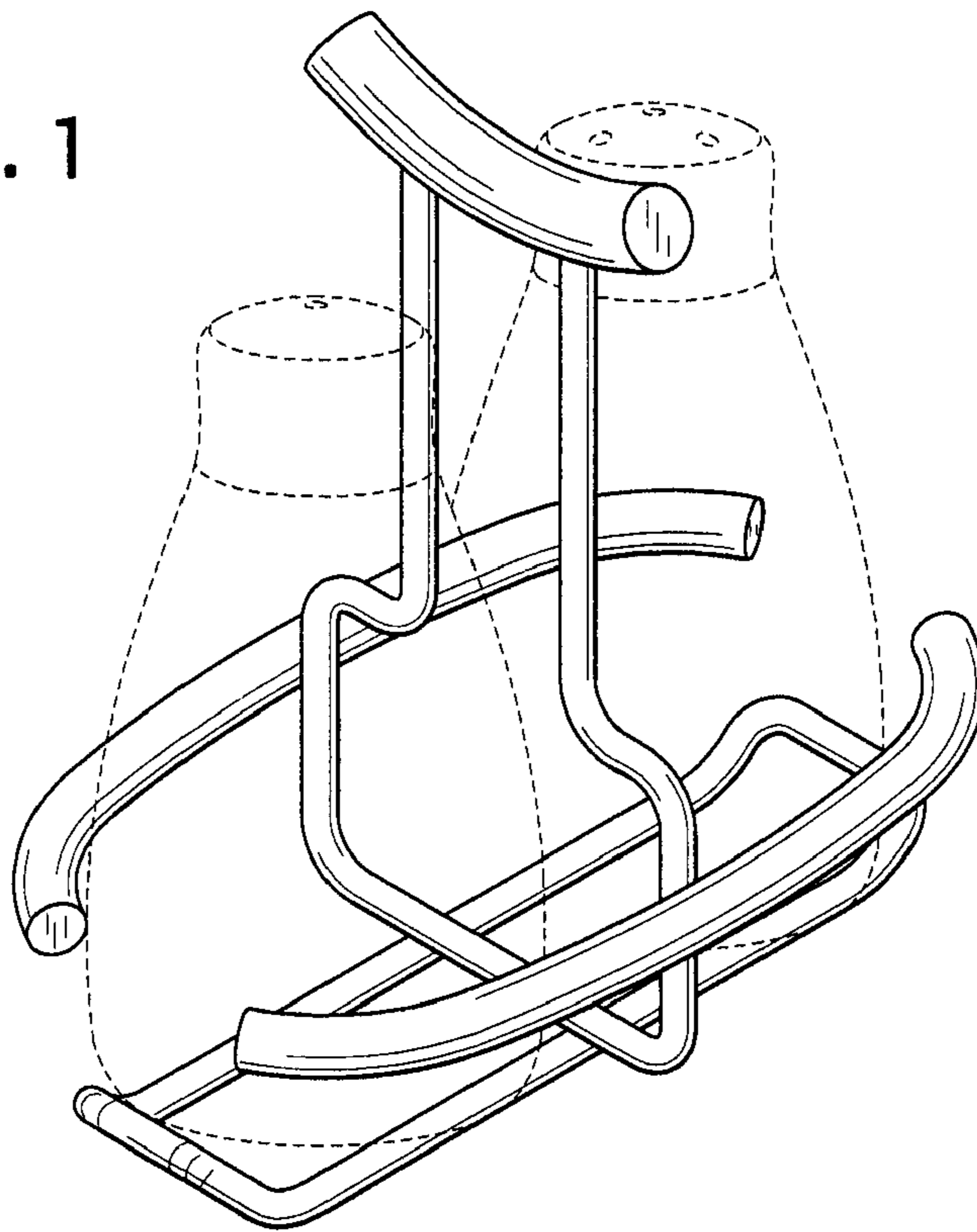


FIG. 2

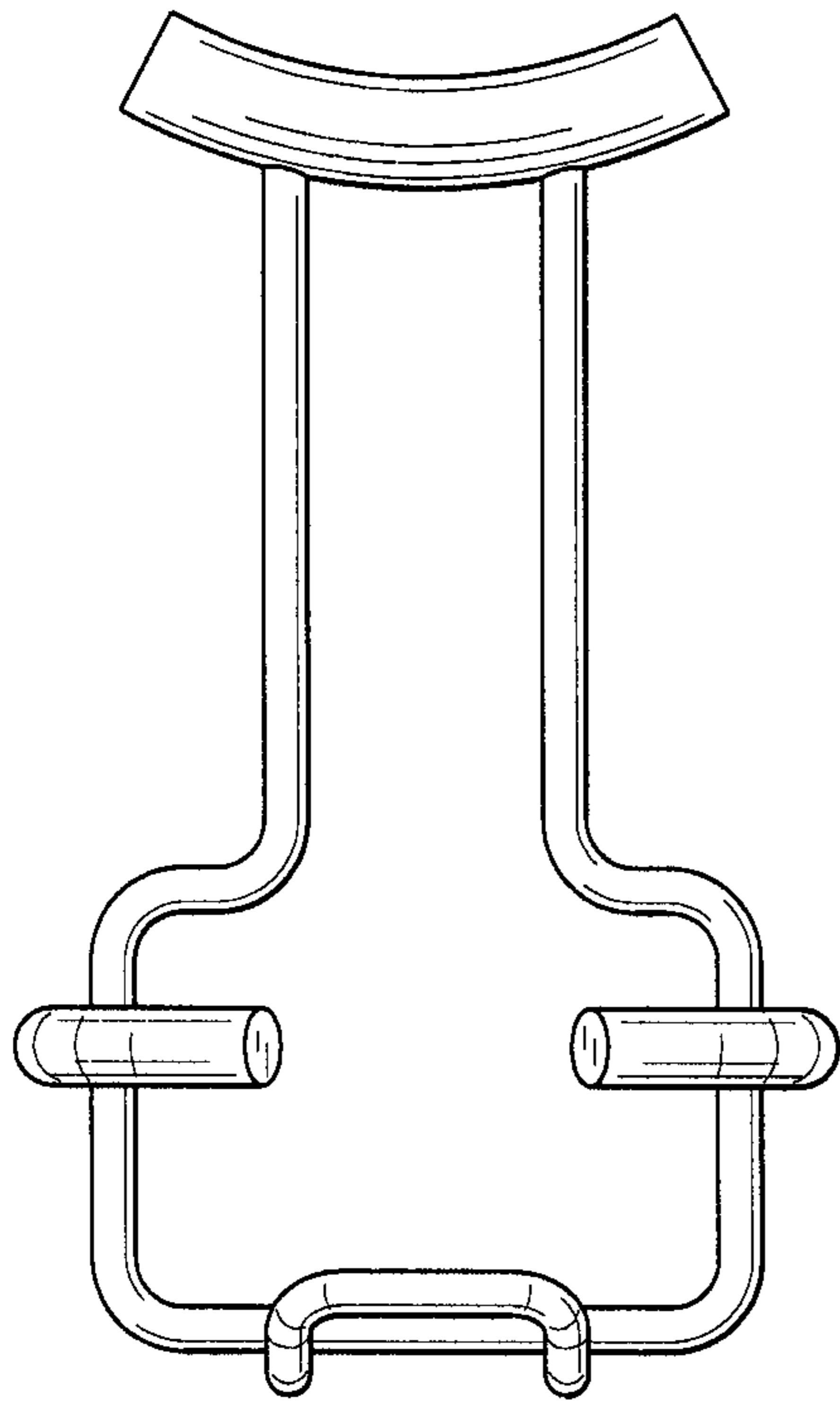


FIG. 3

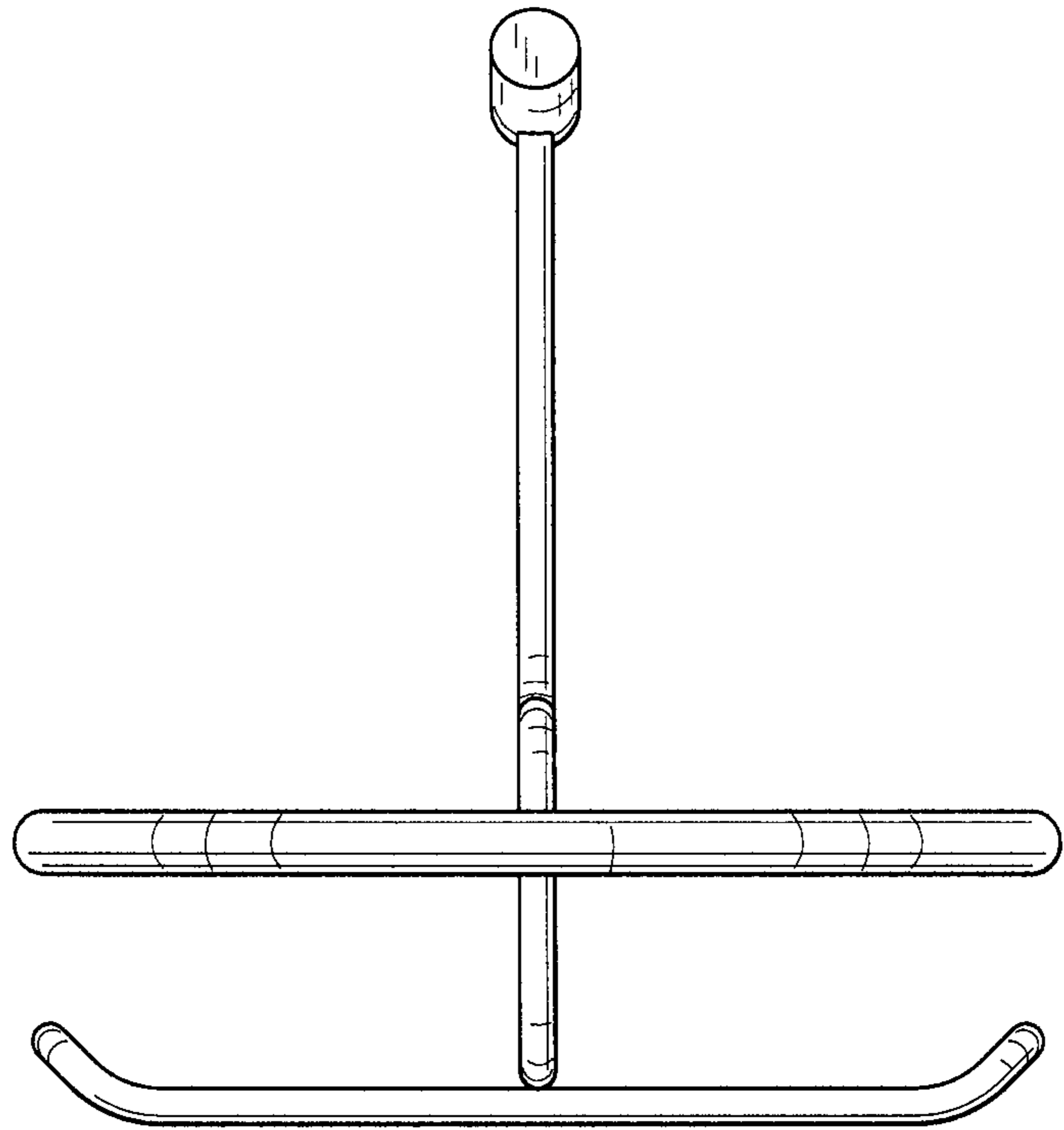


FIG. 4

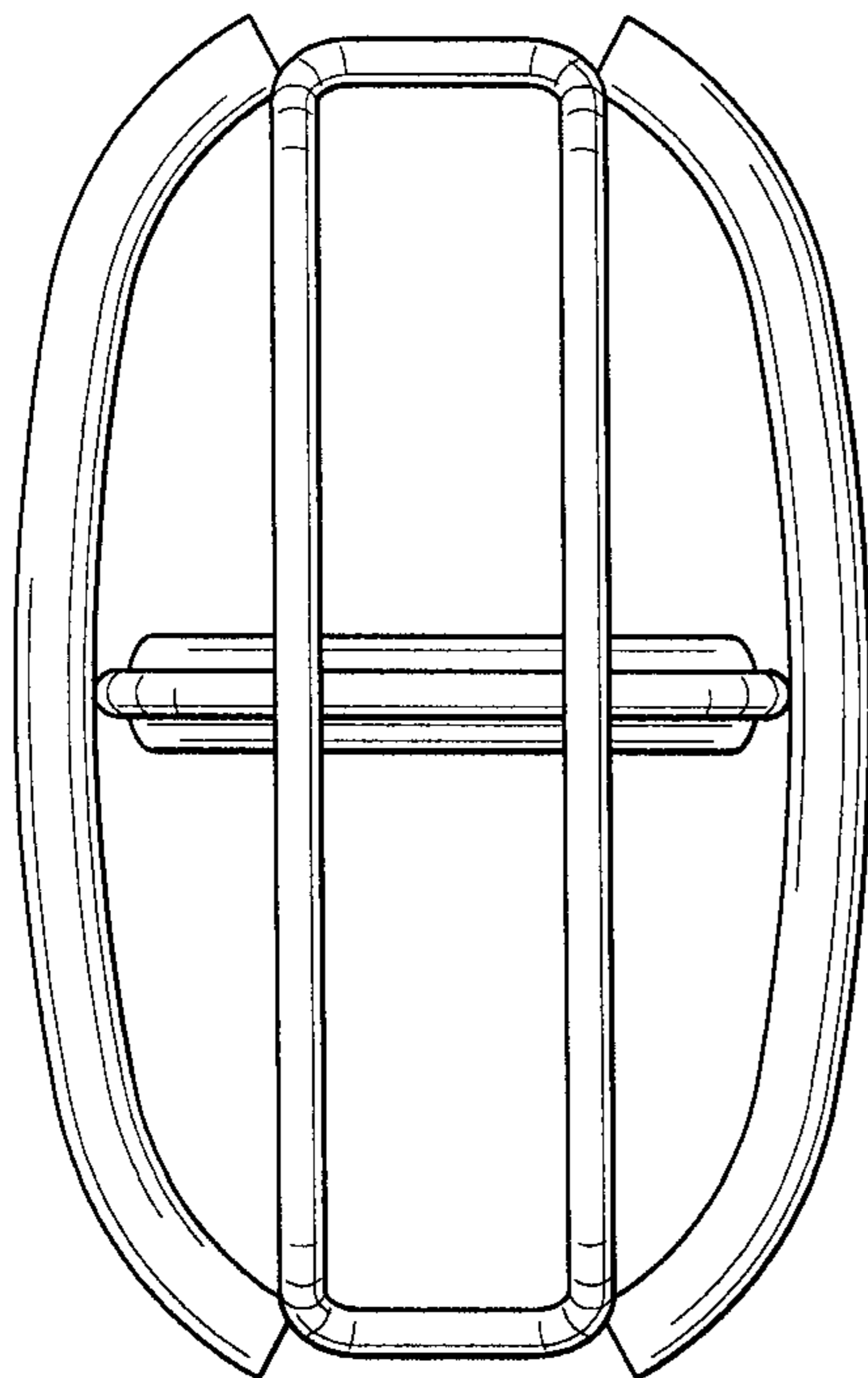


FIG. 5