



US00D608593S

(12) **United States Design Patent**
Follansbee et al.

(10) **Patent No.:** **US D608,593 S**
(45) **Date of Patent:** **** Jan. 26, 2010**

(54) **CONTAINER INSERT**

(75) Inventors: **Scott W. Follansbee**, Round Lake Beach, IL (US); **Dimitriy Faktorovich**, Naperville, IL (US)

(73) Assignee: **Pactiv Corporation**, Lake Forest, IL (US)

(**) Term: **14 Years**

(21) Appl. No.: **29/336,864**

(22) Filed: **May 11, 2009**

(51) **LOC (9) Cl.** **07-01**

(52) **U.S. Cl.** **D7/553.5; D7/387**

(58) **Field of Classification Search** D7/387, D7/538, 388, 500, 541, 550.1, 396.1, 629, D7/545, 560, 392.1, 553.2, 553.5, 553.8; 220/6, 337, 662, 665; 206/508

See application file for complete search history.

(56) **References Cited**

U.S. PATENT DOCUMENTS

3,498,470	A *	3/1970	Thomas	211/74
D286,268	S	10/1986	Wolff		
D301,820	S *	6/1989	Wasserman	D7/553.5
4,966,297	A *	10/1990	Doty	220/23.83
5,213,256	A	5/1993	Cyr		
D345,913	S	4/1994	Upchurch		
5,302,435	A	4/1994	Hashimoto		
D414,652	S	10/1999	Lillelund et al.		
6,004,251	A	12/1999	Herrin		
6,021,903	A	2/2000	Hanson		
6,153,237	A	11/2000	Ferguson		
D442,830	S *	5/2001	Raucci	D7/553.5
D484,001	S	12/2003	Levien		

D496,560	S	9/2004	Lerner		
D496,651	S	9/2004	Borsboom		
D501,761	S *	2/2005	Glander et al.	D7/553.5
D501,764	S	2/2005	Lerner		
D509,104	S *	9/2005	Price	D7/553.4
D515,880	S	2/2006	Lerner		
7,131,289	B2	11/2006	Harl et al.		
D547,126	S *	7/2007	Levine et al.	D7/553.5
D572,588	S	7/2008	Osborn et al.		
D594,280	S *	6/2009	Wolhendler	D7/553.8

* cited by examiner

Primary Examiner—Robert M Spear

Assistant Examiner—Cynthia Underwood

(74) *Attorney, Agent, or Firm*—Nixon Peabody LLP

(57) **CLAIM**

The ornamental design for container insert, as shown and described.

DESCRIPTION

FIG. 1 is a perspective view of a container insert.

FIG. 2 is a first side view of the container insert.

FIG. 3 is a second side view of the container insert.

FIG. 4 is a top plan view of the container insert.

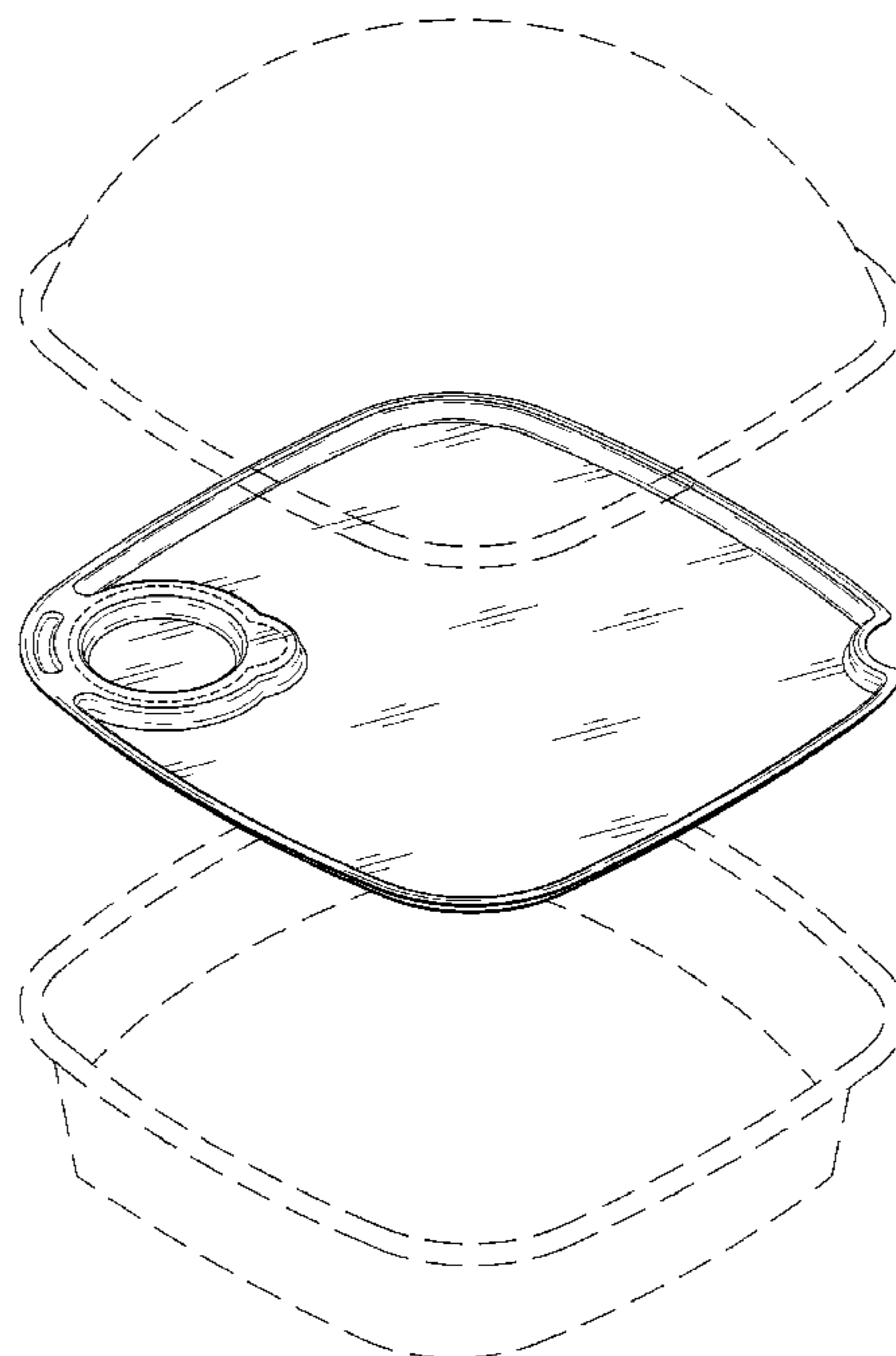
FIG. 5 is a bottom plan view of the container insert.

FIG. 6 is a third side view of the container insert, which is opposite of the first side view of FIG. 2; and,

FIG. 7 is a fourth side view of the container insert, which is opposite of the second side view of FIG. 3.

The portions of the drawings shown in broken lines represent environmental structure and form no part of the claimed design.

1 Claim, 3 Drawing Sheets



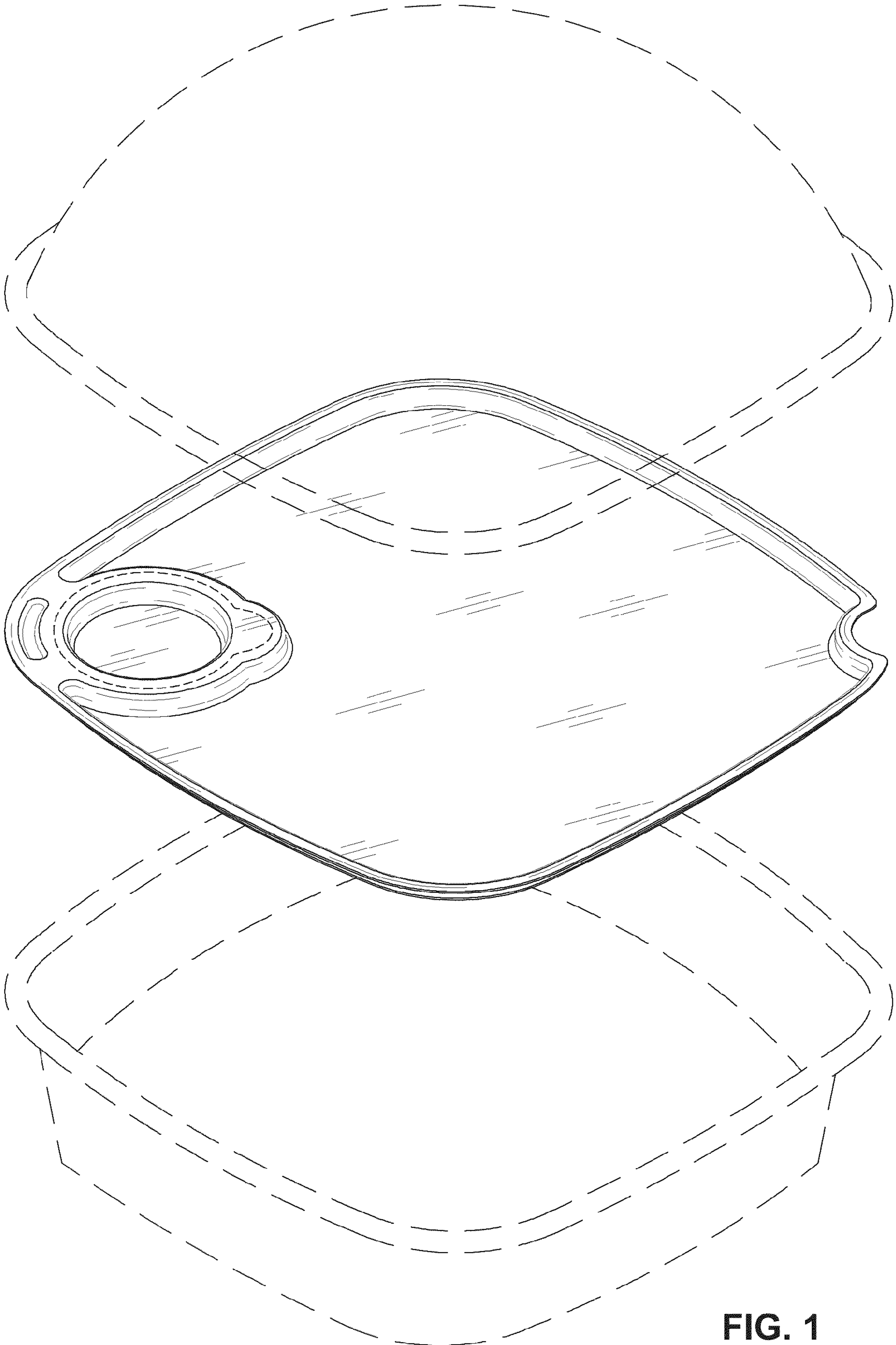


FIG. 1

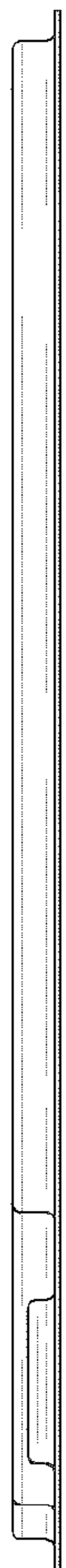


FIG. 2

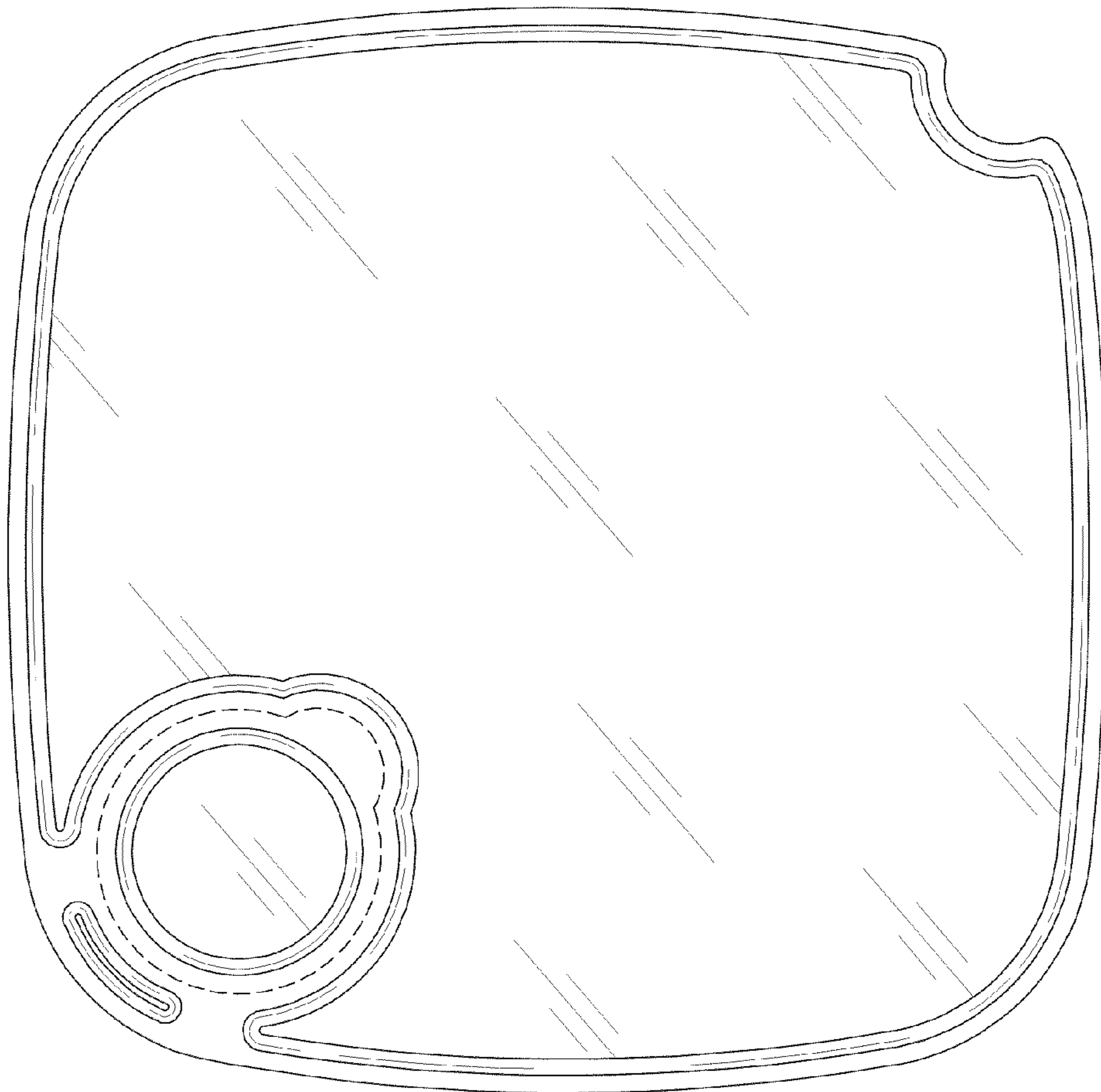


FIG. 4

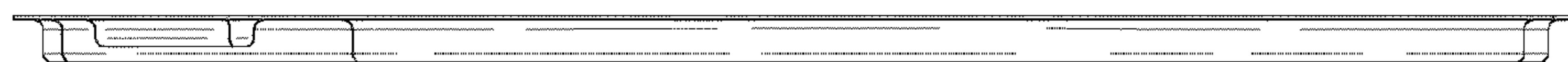


FIG. 3

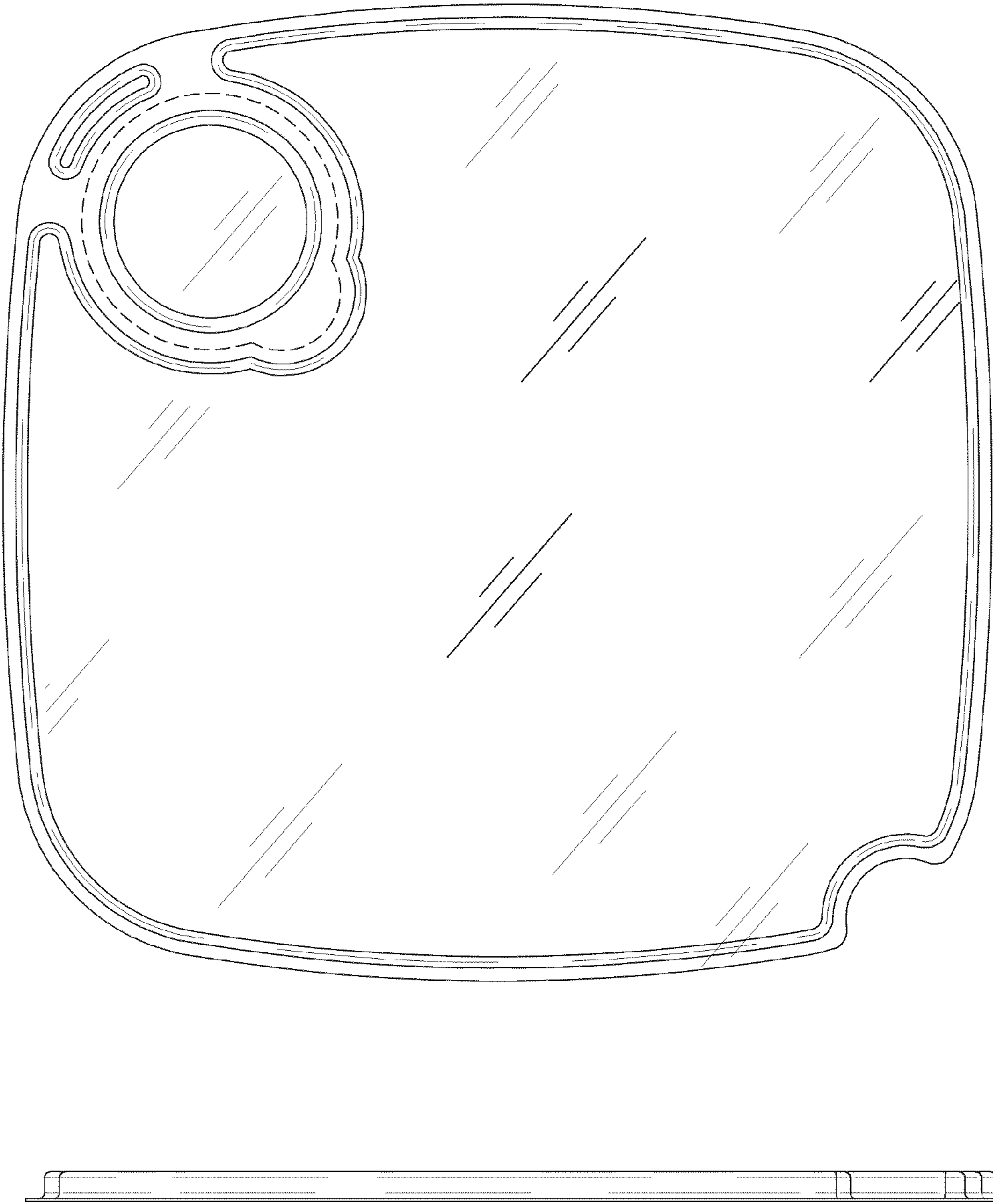


FIG. 5

FIG. 7

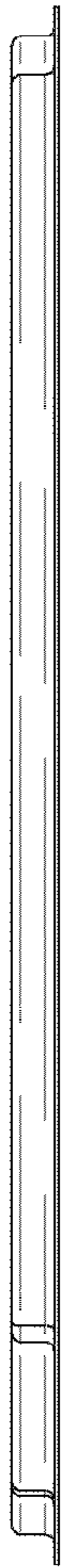


FIG. 6