



US00D608591S

(12) **United States Design Patent**  
**Hillebrenner et al.**

(10) **Patent No.:** **US D608,591 S**  
(45) **Date of Patent:** **\*\* Jan. 26, 2010**

(54) **CUP**

(75) Inventors: **William Hillebrenner**, Chicago, IL (US); **Weston Koennecke**, Oak Park, IL (US)

(73) Assignee: **Solo Cup Operating Corporation**, Lake Forest, IL (US)

(\*\*) Term: **14 Years**

(21) Appl. No.: **29/320,019**

(22) Filed: **Jun. 18, 2008**

(51) **LOC (9) Cl.** ..... **07-01**

(52) **U.S. Cl.** ..... **D7/531; D7/509**

(58) **Field of Classification Search** ..... D7/500,  
D7/509, 396.2, 396.4, 387, 392.1, 523, 624.1,  
D7/532; D9/744, 516, 549, 551; 215/387,  
215/DIG. 7, 382; 220/675, 703, 592.16,  
220/592.17; 206/520, 519; D5/7, 99; 428/34.3;  
229/400

See application file for complete search history.

(56) **References Cited**

**U.S. PATENT DOCUMENTS**

703,125	A	6/1902	Emrich	
D42,683	S	7/1912	Anderson	
D68,368	S	10/1925	Bell	
1,636,174	A	7/1927	Dolan et al.	
D94,553	S *	2/1935	Marquot	..... D7/531
2,013,243	A	9/1935	Landon	
2,168,186	A	8/1939	Adamson	
D163,673	S	6/1951	Bliss	
2,629,534	A	2/1953	Reynolds	
2,731,189	A	1/1956	Moore	
2,745,586	A	5/1956	Thoma	
2,905,350	A	9/1959	Edwards	
3,009,603	A	11/1961	Stockdale	
3,085,730	A	4/1963	Fibish	
3,091,360	A	5/1963	Edwards	

(Continued)

**FOREIGN PATENT DOCUMENTS**

DE 1175564 8/1964

(Continued)

**OTHER PUBLICATIONS**

Full View Photo of Thermos taken approximately Dec. 11, 2008.

(Continued)

*Primary Examiner*—Robert M Spear

*Assistant Examiner*—Cynthia Underwood

(74) *Attorney, Agent, or Firm*—Banner & Witcoff, Ltd.

(57) **CLAIM**

The ornamental design for a cup, as shown and described.

**DESCRIPTION**

FIG. 1 is a perspective view showing a first embodiment of our new design of a cup;

FIG. 2 is a front view thereof, the rear view being a mirror image thereof;

FIG. 3 is a top view thereof;

FIG. 4 is a side view thereof, the opposite side being a mirror image thereof;

FIG. 5 is a bottom view thereof;

FIG. 6 is a perspective view showing a second embodiment of our new design of a cup;

FIG. 7 is a front view thereof, the rear view being a mirror image thereof;

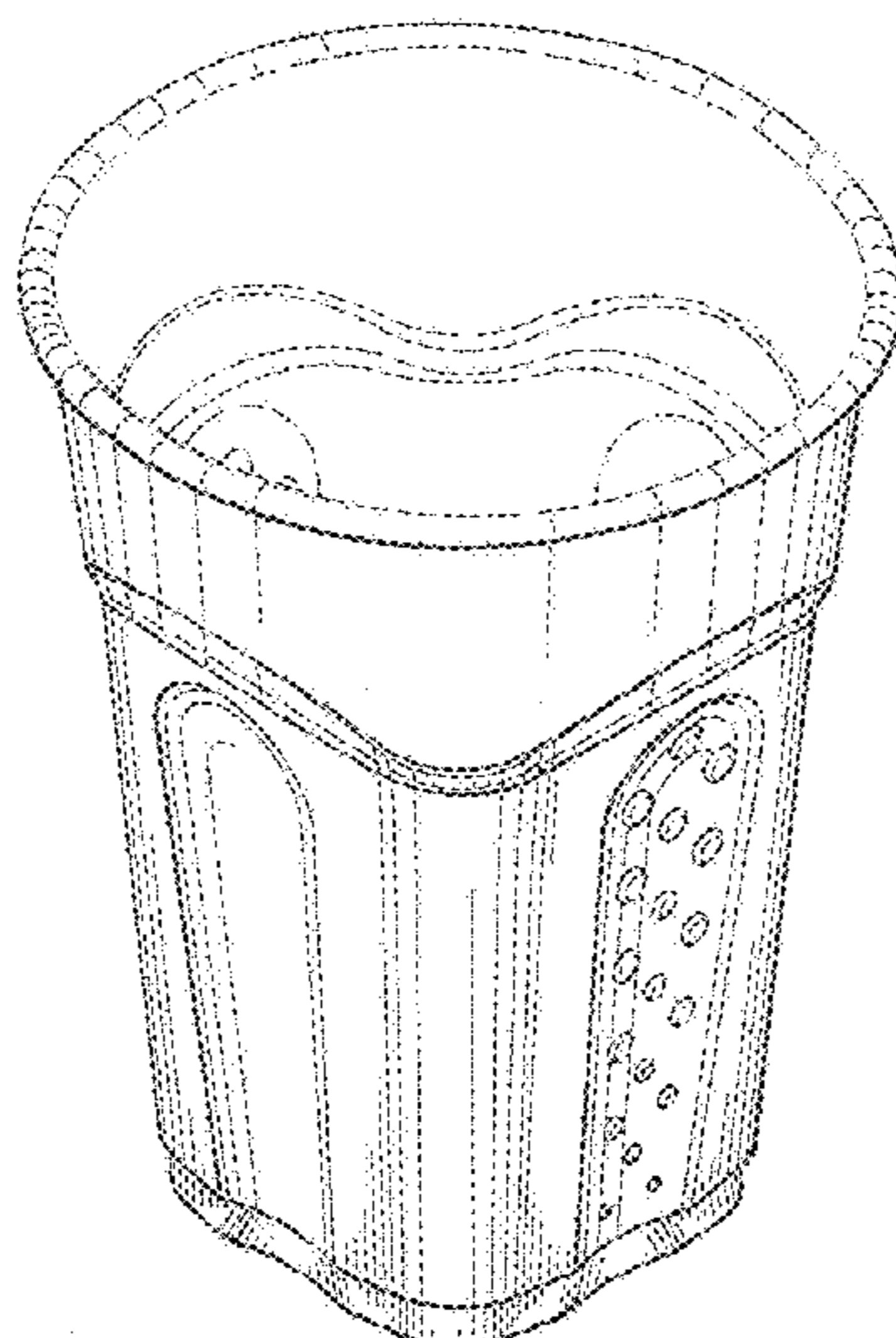
FIG. 8 is a top view thereof;

FIG. 9 is a side view thereof, the opposite side being a mirror image thereof; and,

FIG. 10 is a bottom view thereof.

The broken lines represent portions of the structure that are not included in the claim.

**1 Claim, 6 Drawing Sheets**



# US D608,591 S

Page 2

## U.S. PATENT DOCUMENTS

D196,271 S 9/1963 Edwards  
D197,313 S 1/1964 Wanderer  
3,126,139 A \* 3/1964 Schechter ..... 229/403  
D198,139 S 5/1964 Edwards  
3,131,845 A 5/1964 Sherlock et al.  
3,139,213 A \* 6/1964 Edwards ..... 206/519  
D199,336 S 10/1964 Wanderer  
D199,579 S \* 11/1964 Davis ..... D7/530  
D204,947 S 5/1966 Benjamin  
3,288,340 A \* 11/1966 Shapiro et al. .... 206/519  
3,342,370 A 9/1967 Johnson  
D208,872 S 10/1967 Davis  
D210,067 S 2/1968 Abe  
D210,767 S 4/1968 Anglada  
D210,853 S 4/1968 Anderson  
3,375,954 A 4/1968 Honkanen et al.  
D211,514 S 6/1968 Amberg  
3,397,867 A 8/1968 van't Hoff  
D213,094 S \* 1/1969 Davis ..... D7/531  
D213,173 S 1/1969 Lockhart et al.  
D213,174 S \* 1/1969 Davis ..... D7/531  
3,437,253 A 4/1969 Davis et al.  
3,519,165 A 7/1970 Hawley  
D220,031 S 3/1971 Donovan  
D223,999 S 6/1972 Klose  
D228,125 S 8/1973 Weiss  
D229,008 S 11/1973 Bateman  
3,831,745 A \* 8/1974 Rump et al. .... 206/520  
D239,358 S 3/1976 Kjellqvist  
3,951,266 A 4/1976 Brewer  
4,049,187 A 9/1977 Florian  
4,052,037 A 10/1977 Mair et al.  
4,061,782 A 12/1977 Baxter  
4,102,454 A 7/1978 Karevaara  
D248,916 S \* 8/1978 Reynolds et al. .... D7/523  
4,134,492 A 1/1979 Lucas  
4,169,537 A 10/1979 Sabreen et al.  
4,245,685 A 1/1981 Nemitz et al.  
4,420,081 A 12/1983 Dart  
D272,794 S 2/1984 Dart  
4,548,348 A 10/1985 Clements  
4,578,296 A 3/1986 Miyazaki et al.  
D285,032 S 8/1986 Alonzo  
D293,869 S 1/1988 Durand  
D320,455 S 10/1991 Malcolm  
D320,859 S 10/1991 Malcolm  
5,082,135 A 1/1992 DeCoster  
D328,014 S 7/1992 DeCoster et al.  
D333,196 S \* 2/1993 Dziersk et al. .... D34/1  
D333,704 S 3/1993 Malcolm  
D346,308 S 4/1994 Cautereels et al.  
5,346,095 A 9/1994 Deal  
5,413,244 A 5/1995 Ramsey  
5,415,339 A 5/1995 Howard  
5,423,160 A 6/1995 Rosen  
D368,234 S 3/1996 Dickinson et al.  
5,634,569 A 6/1997 DeCoster  
5,678,726 A \* 10/1997 Porteous ..... 220/676  
D387,619 S 12/1997 Gross et al.  
D399,099 S 10/1998 Cousins  
D407,270 S 3/1999 Wilson  
D410,174 S 5/1999 Sheu  
D413,067 S 8/1999 Haley  
D416,757 S 11/1999 Ginuntoli  
6,109,518 A 8/2000 Mueller et al.  
D433,337 S 11/2000 Cautereels  
D436,295 S 1/2001 Furman et al.  
D441,252 S 5/2001 Gitschlag  
D443,475 S 6/2001 Miura

D444,672 S 7/2001 Miura  
6,264,068 B1 7/2001 Ours et al.  
D446,684 S \* 8/2001 Price ..... D7/509  
D446,687 S 8/2001 Furman et al.  
D448,976 S 10/2001 McDonough et al.  
D460,696 S 7/2002 Goettner  
D461,368 S \* 8/2002 Durand ..... D7/523  
D462,270 S 9/2002 Renz  
6,554,154 B1 4/2003 Chauhan et al.  
6,575,321 B2 6/2003 Bourque et al.  
D484,362 S 12/2003 Harris et al.  
D488,384 S 4/2004 Murphy  
6,722,514 B2 4/2004 Renz  
6,749,075 B2 6/2004 Bourque et al.  
D499,934 S 12/2004 Smith et al.  
D499,935 S \* 12/2004 Smith et al. .... D7/396.2  
D502,877 S 3/2005 Stockwell et al.  
D504,593 S 5/2005 Smith et al.  
D505,830 S 6/2005 Smith et al.  
D508,372 S 8/2005 Martinez-Lopez  
D510,679 S \* 10/2005 Smith et al. .... D7/396.2  
D511,647 S 11/2005 Smith et al.  
D511,932 S 11/2005 Smith et al.  
D512,326 S 12/2005 Stockwell et al.  
D513,931 S \* 1/2006 Liu ..... D7/523  
D514,380 S \* 2/2006 Smith et al. .... D7/396.2  
D514,385 S \* 2/2006 Smith et al. .... D7/509  
D514,884 S \* 2/2006 Smith et al. .... D7/509  
D515,358 S 2/2006 Orr et al.  
7,004,342 B2 2/2006 Bourque et al.  
D516,378 S \* 3/2006 Smith et al. .... D7/396.2  
D519,036 S 4/2006 Stockwell et al.  
D519,786 S 5/2006 Betras  
D521,318 S 5/2006 Huang  
D521,803 S 5/2006 Bieger  
D526,841 S 8/2006 Webb  
D526,847 S 8/2006 Freeman  
D527,583 S 9/2006 Freeman  
D528,863 S 9/2006 Hayes et al.  
D529,340 S 10/2006 Laib et al.  
7,185,783 B1 3/2007 Miller  
7,213,719 B2 5/2007 Pedmo et al.  
D545,625 S 7/2007 Webb  
D559,039 S 1/2008 Freeman  
D559,040 S 1/2008 Freeman  
D589,815 S \* 4/2009 Hazelton et al. .... D9/601  
7,546,932 B2 \* 6/2009 Smith et al. .... 220/675  
2003/0157224 A1 8/2003 Westerhof et al.  
2004/0045974 A1 \* 3/2004 Gruber et al. .... 220/669  
2005/0061821 A1 3/2005 Smith et al.  
2006/0076395 A1 4/2006 Hayes et al.  
2006/0091102 A1 5/2006 Bourque et al.  
2006/0207962 A1 9/2006 Coley, Jr. et al.  
2006/0243699 A1 11/2006 Smith

## FOREIGN PATENT DOCUMENTS

DE	1216139	5/1966
DE	4419161	12/1995
DE	29802377	6/1998
EP	0371918	6/1990
FR	2207836	6/1974
GB	395996	7/1933
GB	1096451	12/1967
GB	1251595	10/1971
GB	1461394	1/1977
GB	2352612	2/2001

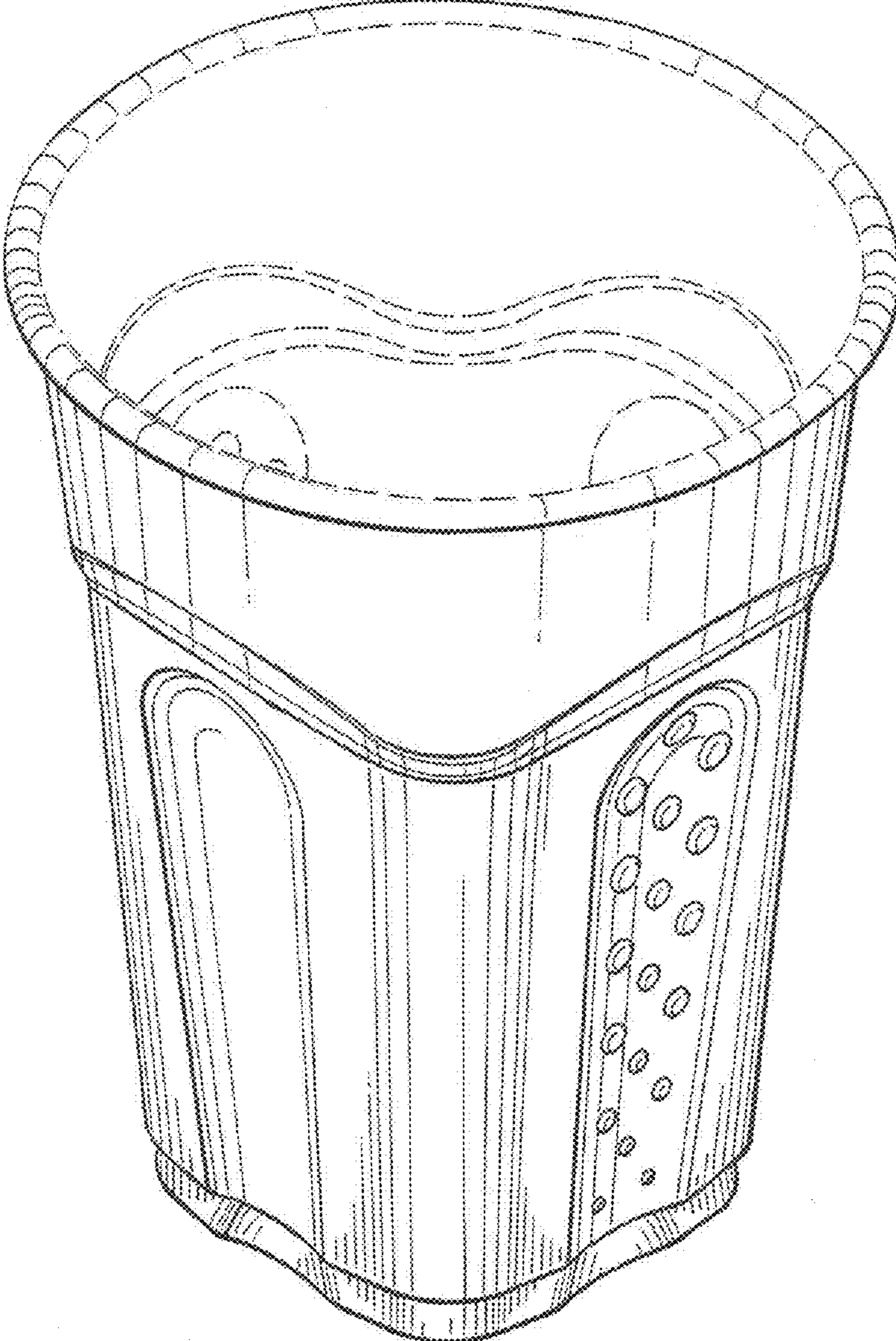
## OTHER PUBLICATIONS

Partial View Photo of Thermos taken approximately Dec. 11, 2008.

\* cited by examiner



FIG. 1



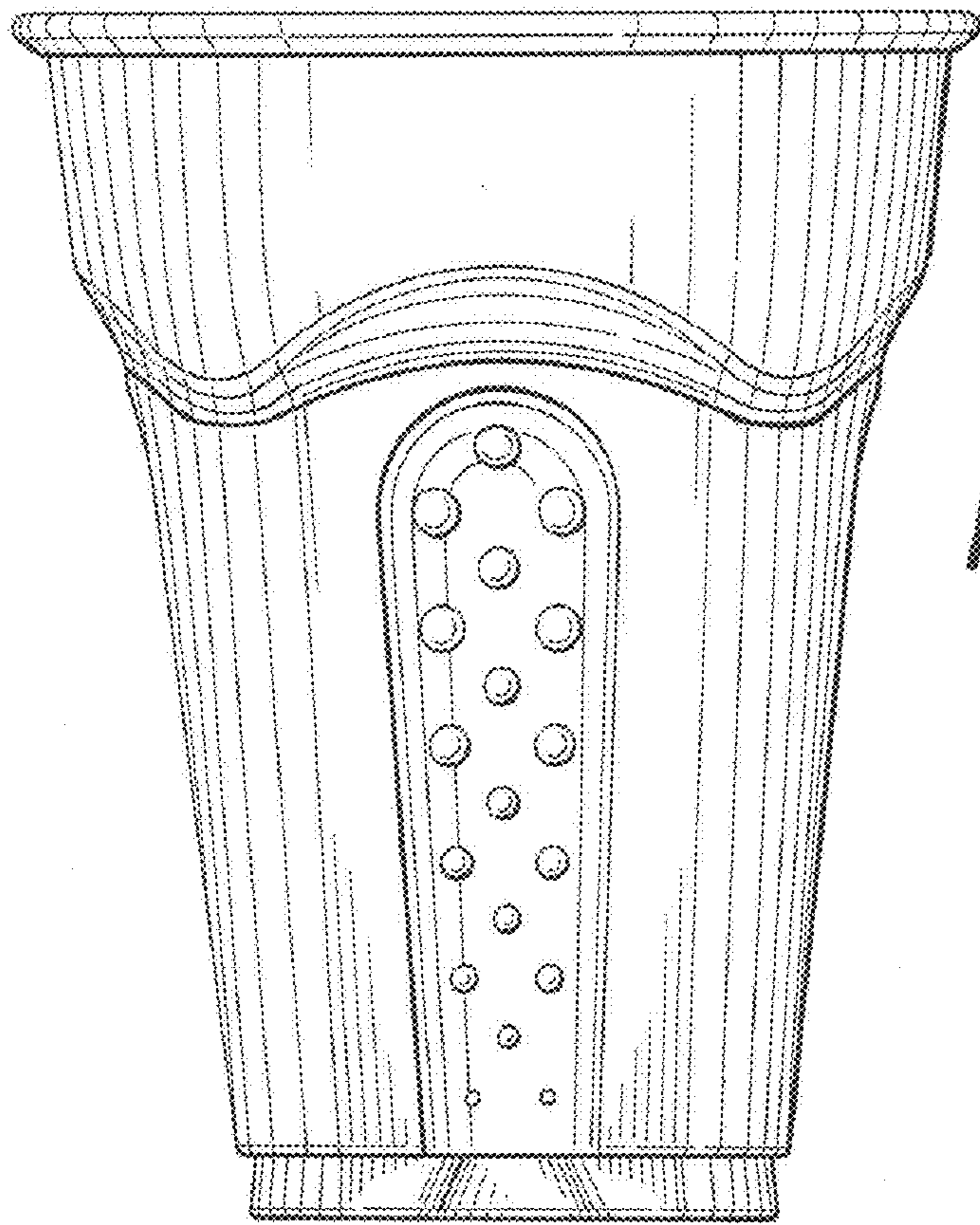
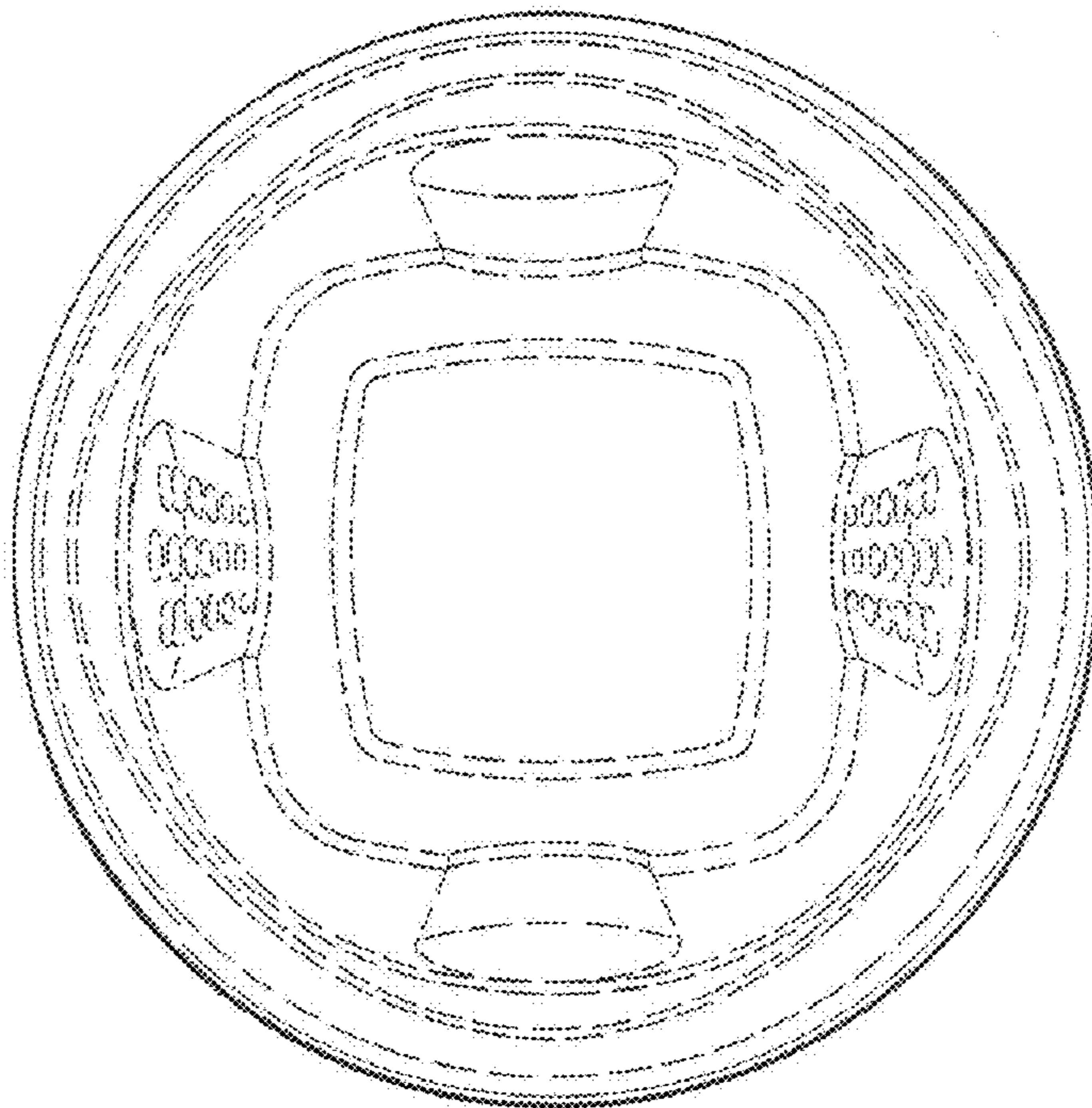


FIG. 2

FIG. 3





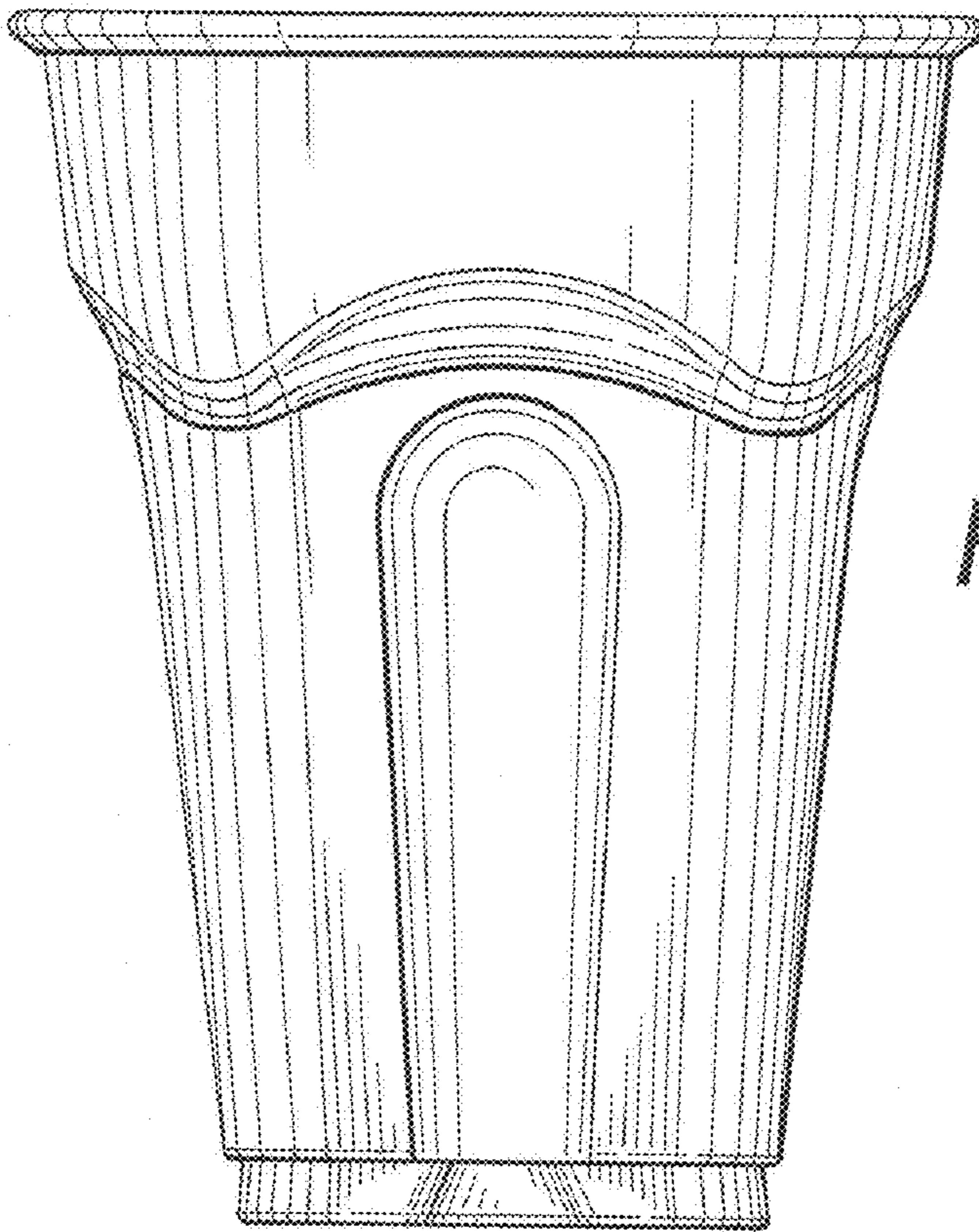


FIG. 4

FIG. 5

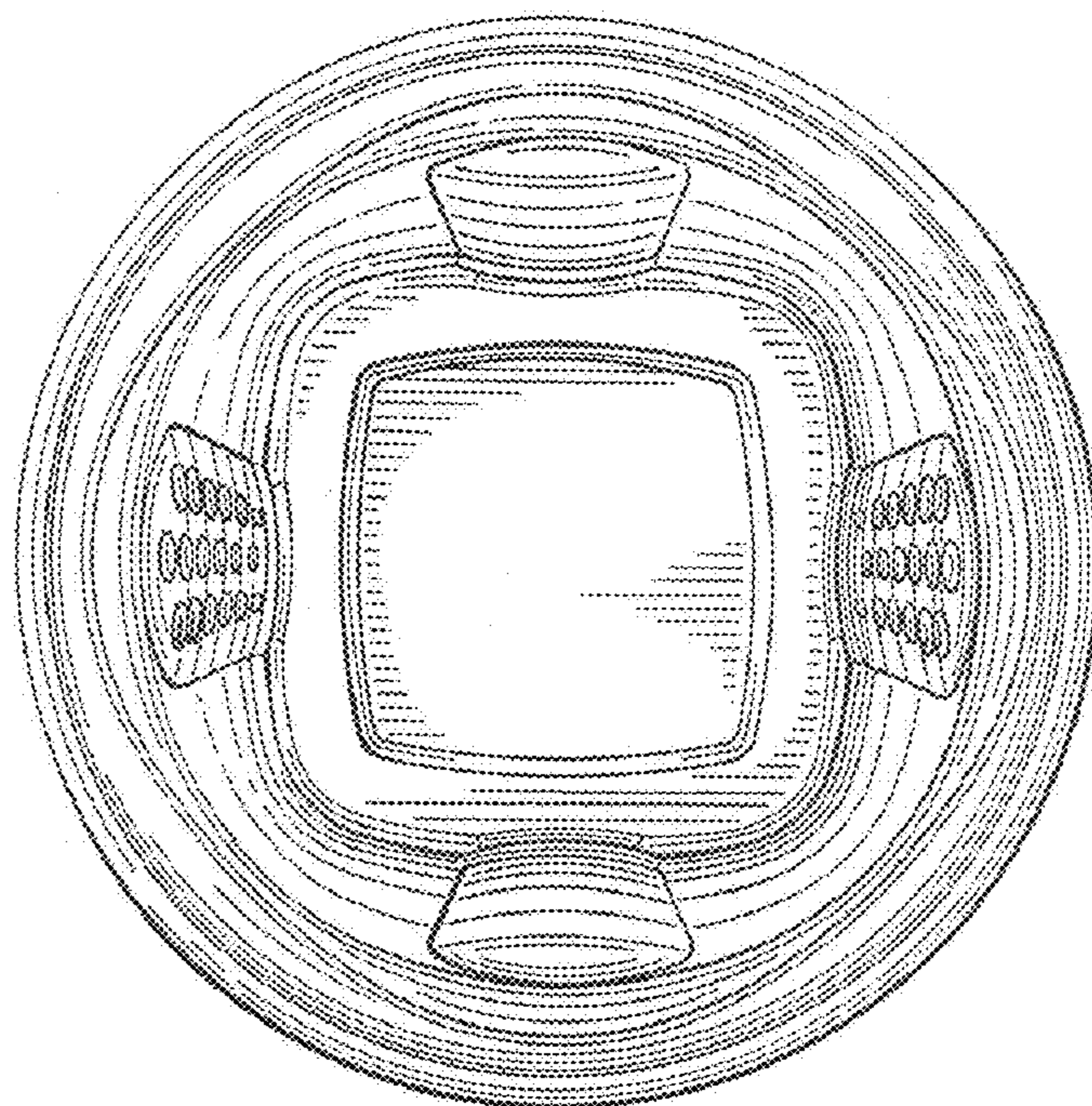
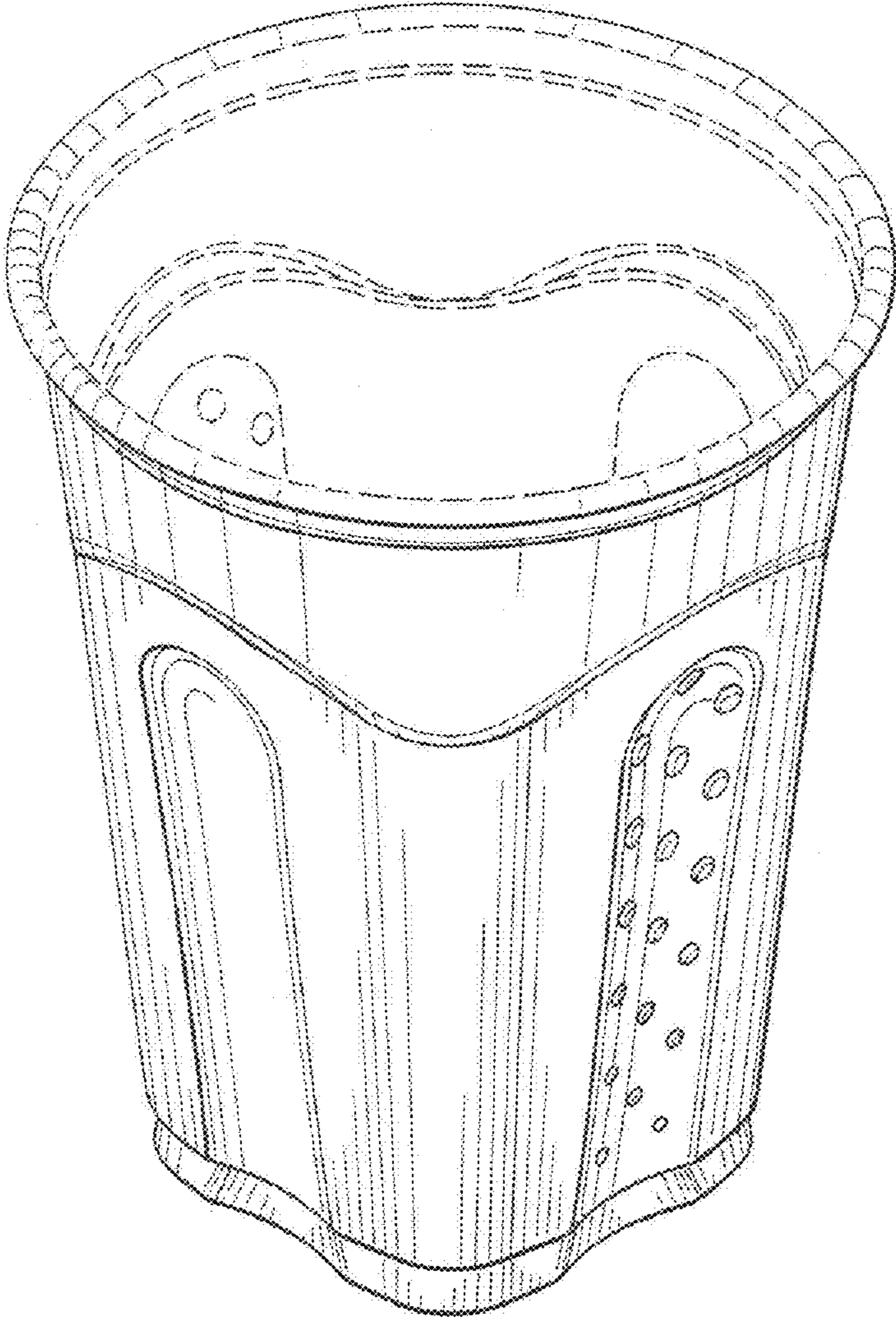


FIG. 6





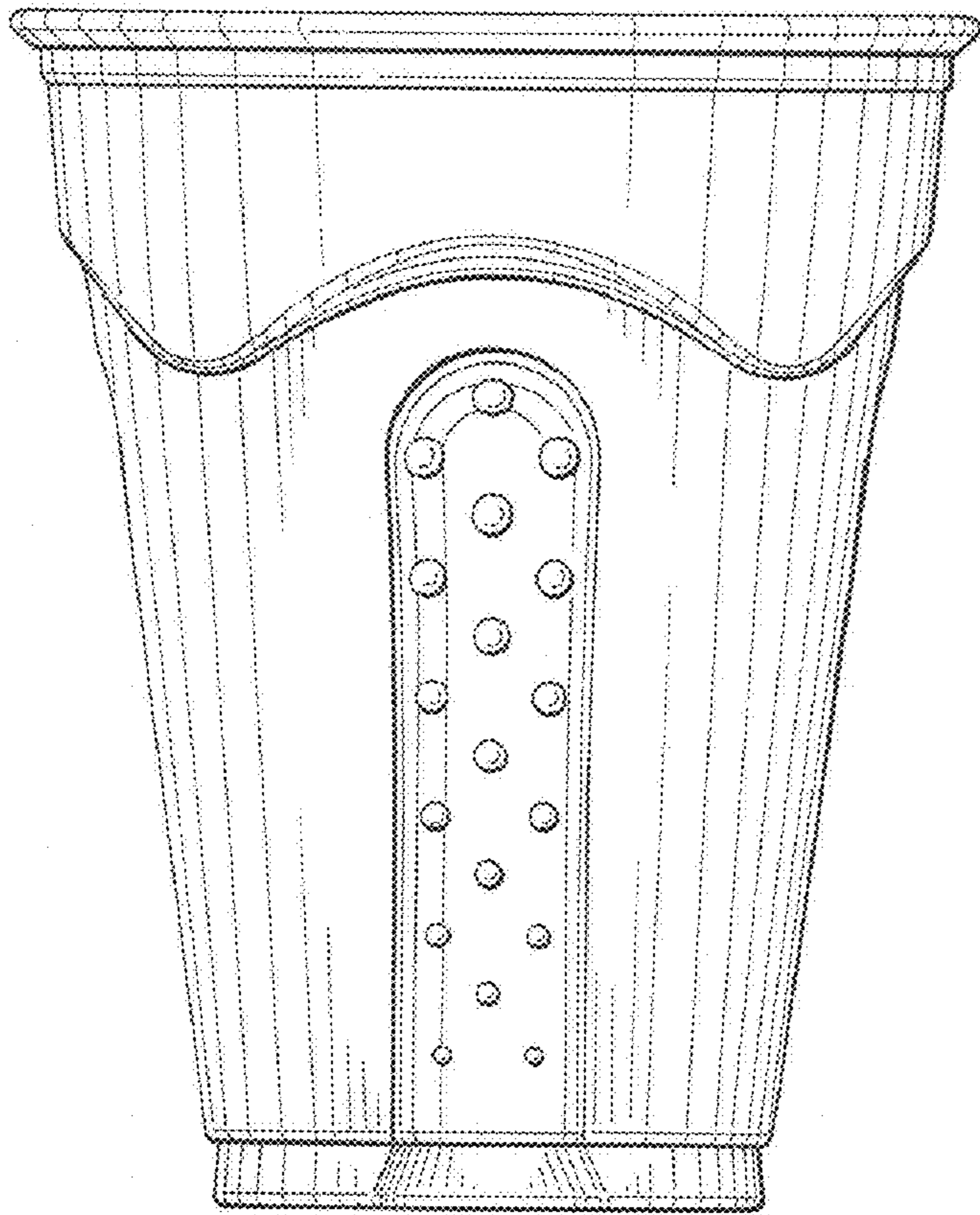
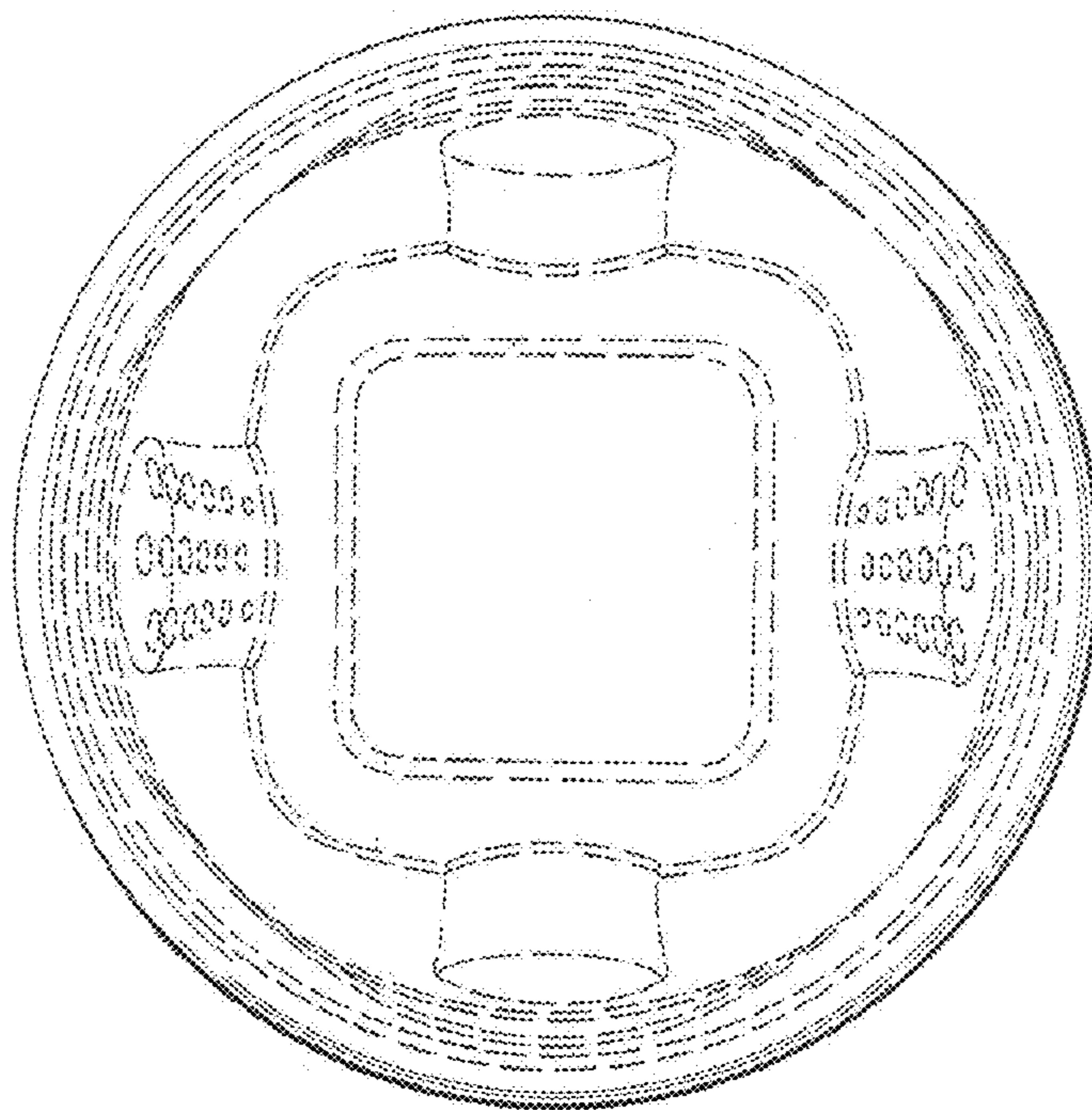


FIG. 7

FIG. 8



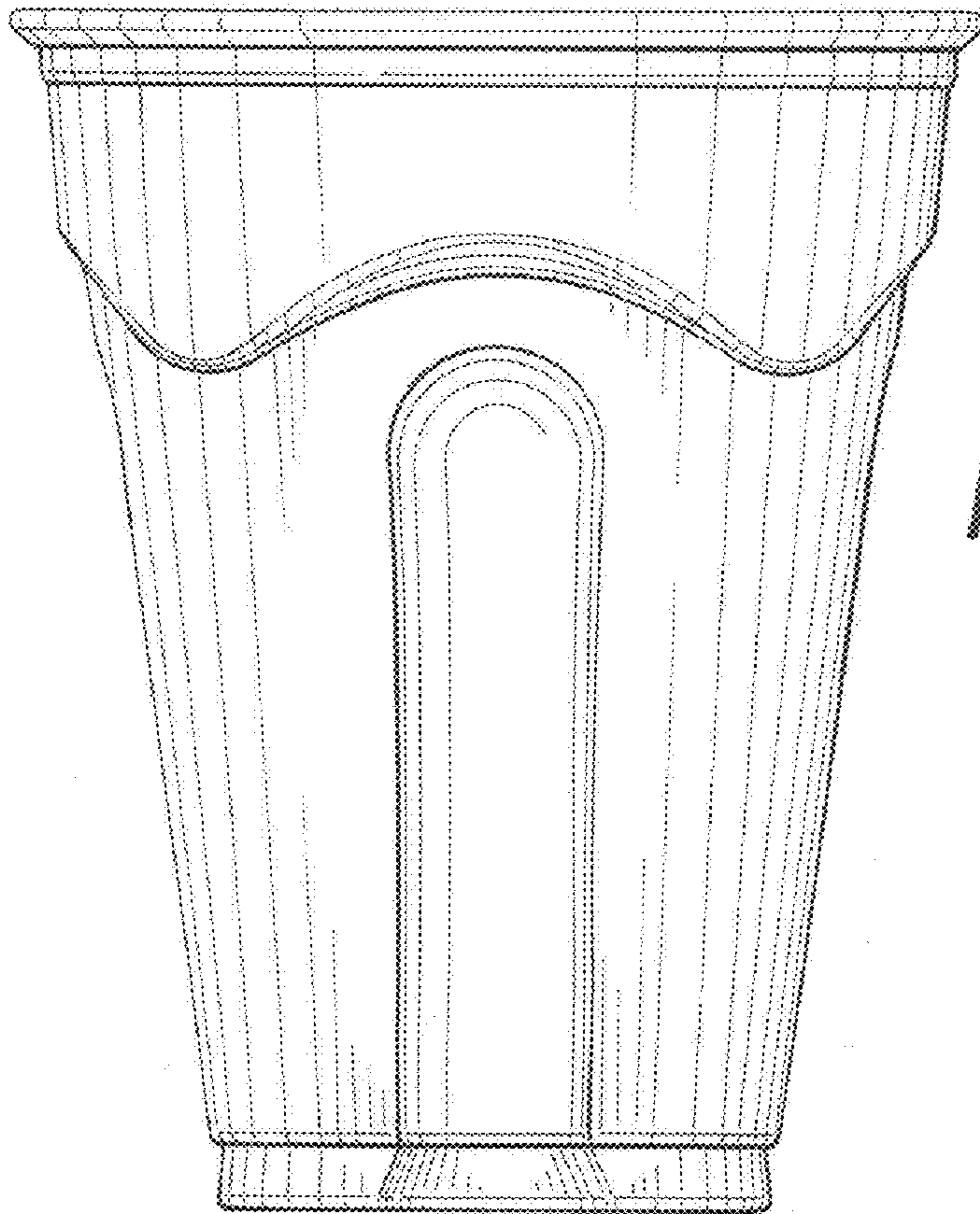


FIG. 9

FIG. 10

