



US00D608590S

(12) **United States Design Patent**
Geter et al.

(10) **Patent No.:** **US D608,590 S**

(45) **Date of Patent:** **** Jan. 26, 2010**

(54) **SHAKER MUG**

(75) Inventors: **Jacqueline Geter**, College Park, GA
(US); **Antonio Geter**, College Park, GA
(US)

(73) Assignee: **Geteroo's LLC**, College Park, GA (US)

(**) Term: **14 Years**

(21) Appl. No.: **29/314,706**

(22) Filed: **Apr. 22, 2009**

(51) **LOC (9) Cl.** **07-01**

(52) **U.S. Cl.** **D7/515; D7/901; D7/625;**
D7/507

(58) **Field of Classification Search** **D7/507-511,**
D7/523, 615, 606, 625, 901, 515, 514, 624.2;
D9/538, 522, 504, 905, 724, 447, 500, 776,
D9/668, 609; D19/85; 215/12.1; 222/144.5;
229/5.5; 220/592.27, 592.16, 592.17, 715;
D3/264

See application file for complete search history.

(56) **References Cited**

U.S. PATENT DOCUMENTS

D212,818 S * 11/1968 Flaherty D7/511
D239,588 S * 4/1976 Krieger D7/515
D249,438 S * 9/1978 Meier et al. D7/511
D292,463 S * 10/1987 Petrsek D7/515
D323,602 S * 2/1992 Katz D7/316
D359,655 S * 6/1995 Hurst et al. D7/515

D371,934 S * 7/1996 Cwirko D7/515
D398,188 S * 9/1998 Weeks et al. D7/515
D409,904 S * 5/1999 Clements et al. D9/668
D424,375 S * 5/2000 D' Arrigo D7/510
D511,212 S * 11/2005 Whalen D24/197
D518,596 S * 4/2006 Angeletta D28/7
D541,111 S * 4/2007 Morgan et al. D7/625
D562,073 S * 2/2008 Yeh D7/515
D587,968 S * 3/2009 Campbell D7/510
D589,765 S * 4/2009 Zuloff D7/515

* cited by examiner

Primary Examiner—Marianne Pandozzi

(74) *Attorney, Agent, or Firm*—Rodgers & Rodgers

(57) **CLAIM**

The ornamental design for a shaker mug, as shown and described.

DESCRIPTION

FIG. 1 is an exploded perspective view of a shaker mug showing my new design;

FIG. 2 is a rear elevational view thereof;

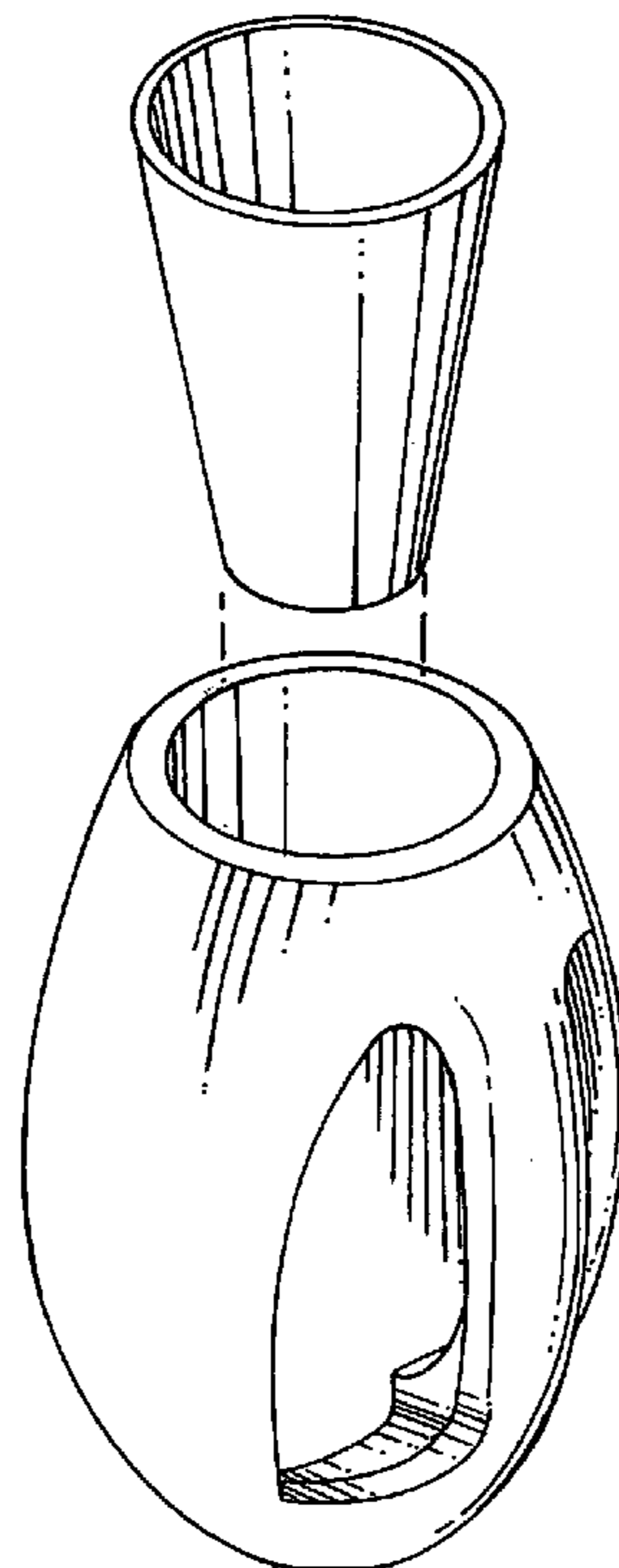
FIG. 3 is a left-side elevational view thereof, the right side being a mirror image thereof;

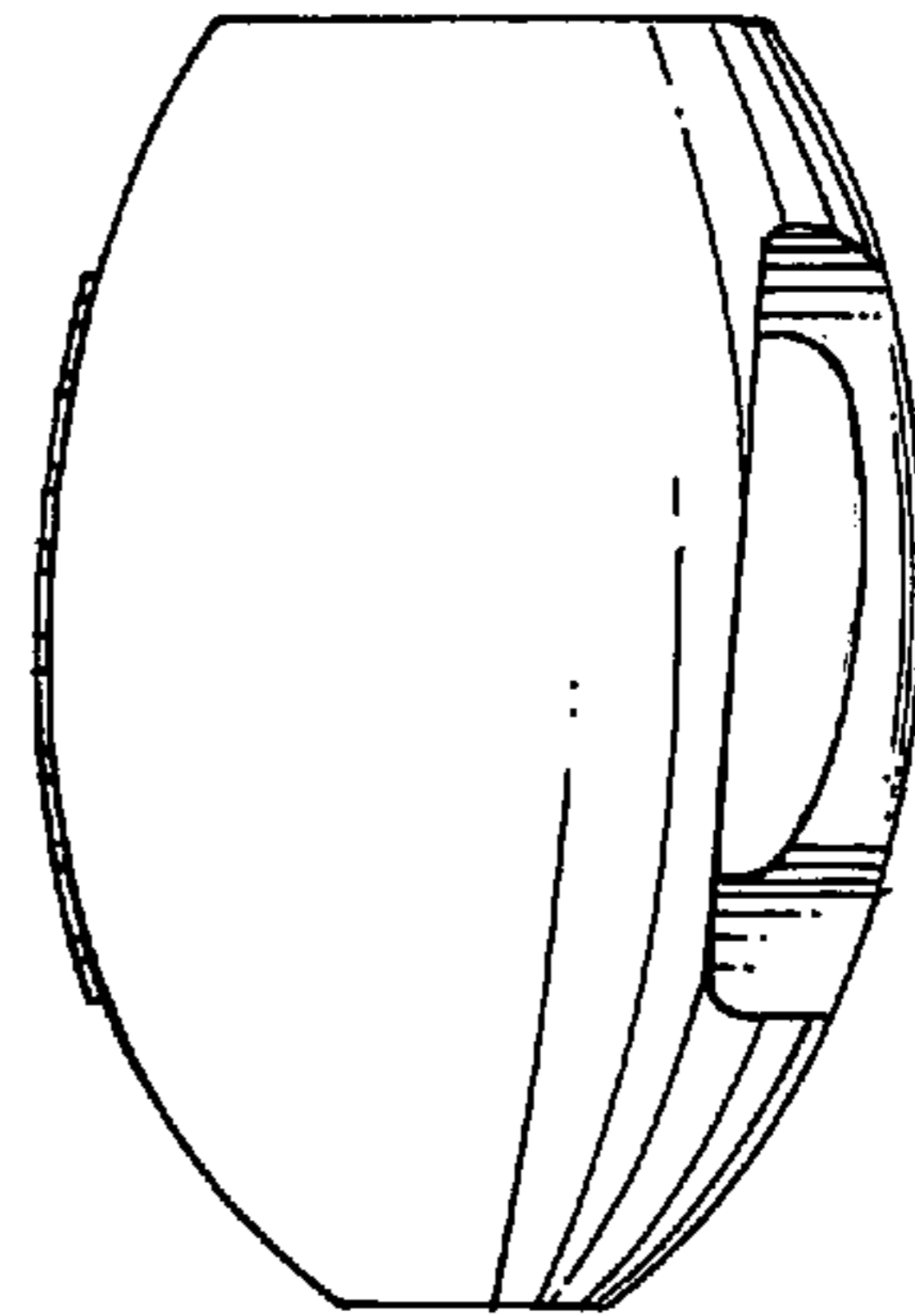
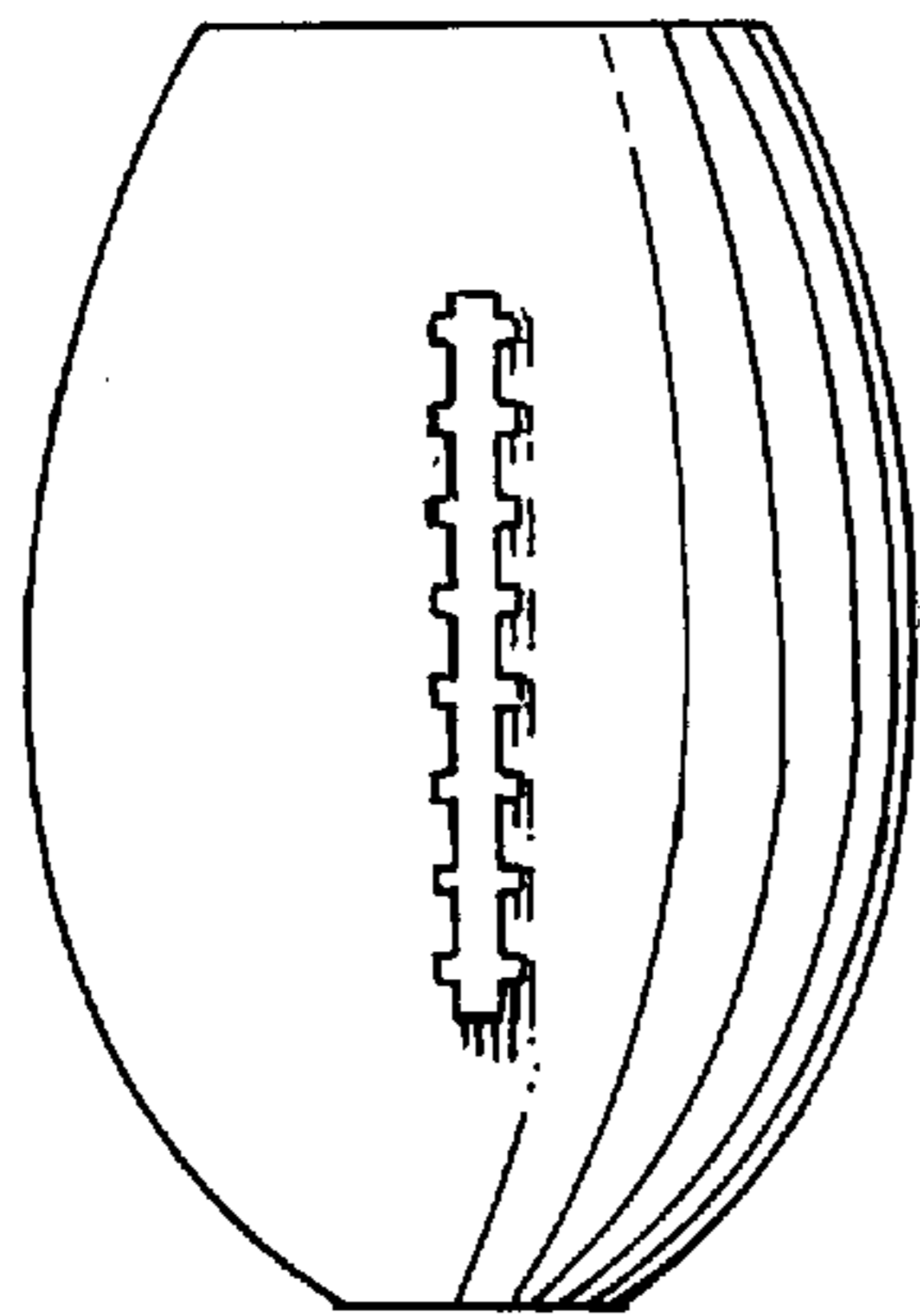
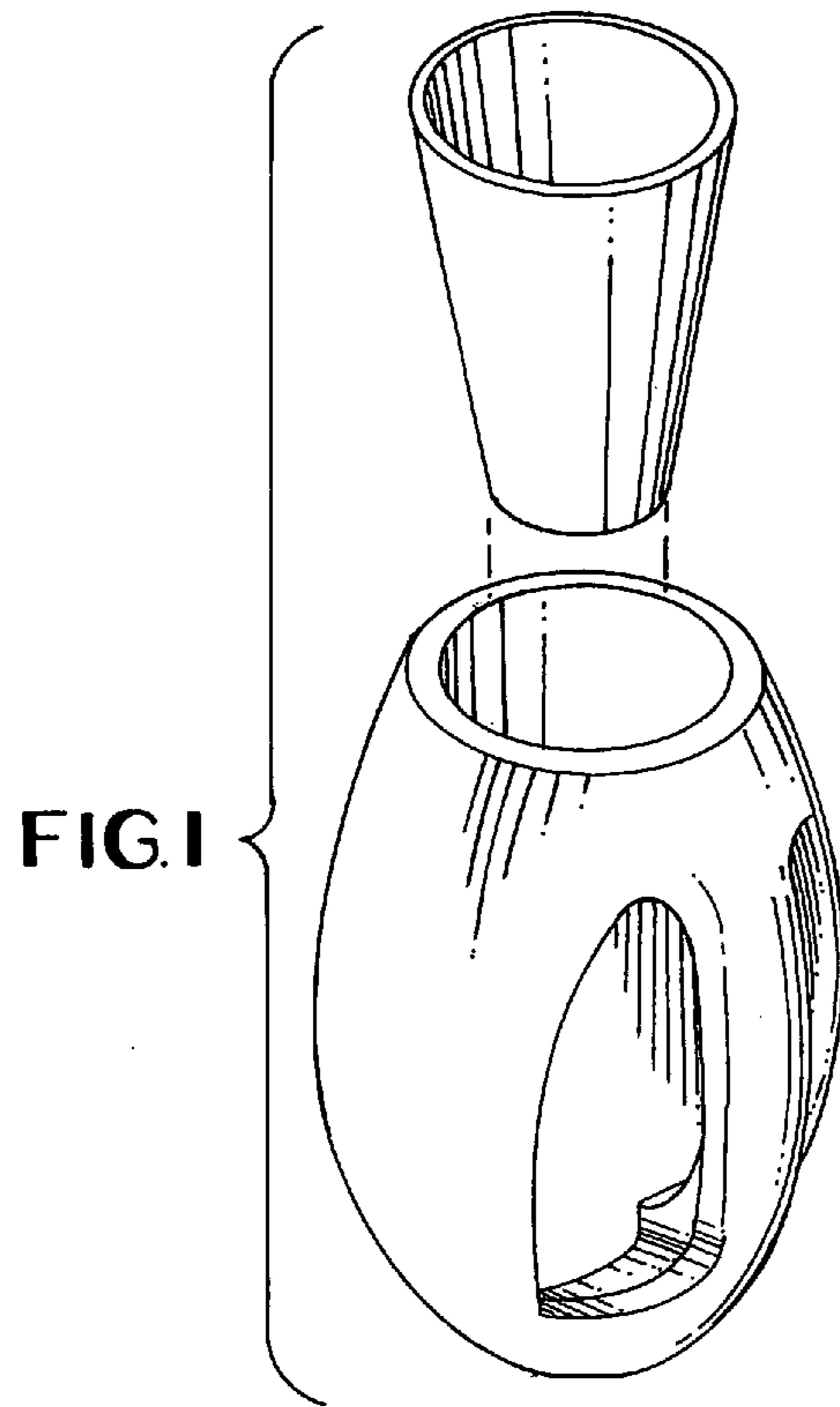
FIG. 4 is a front elevational view thereof;

FIG. 5 is a top plan view thereof; and,

FIG. 6 is a bottom plan view thereof.

1 Claim, 2 Drawing Sheets





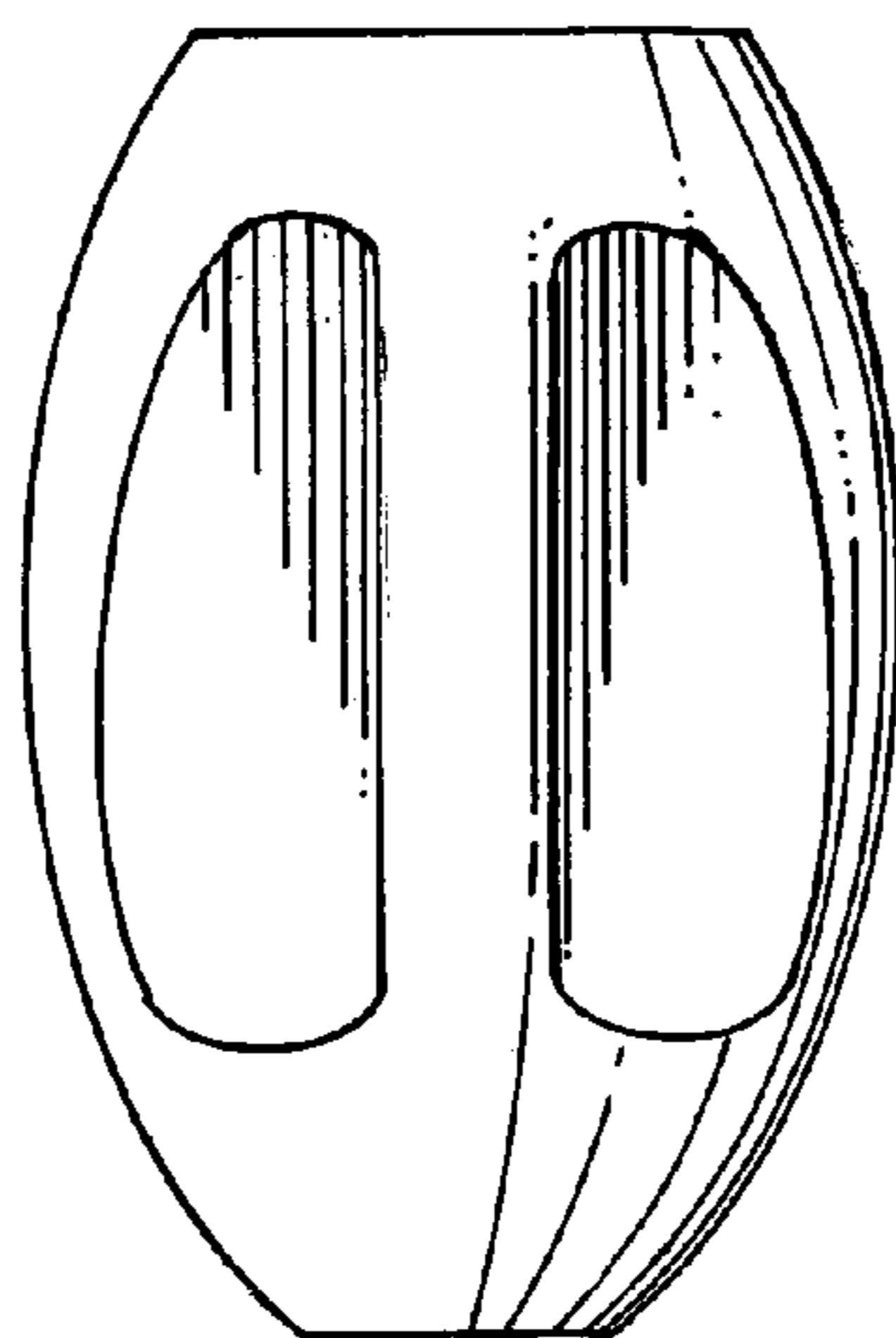


FIG. 4

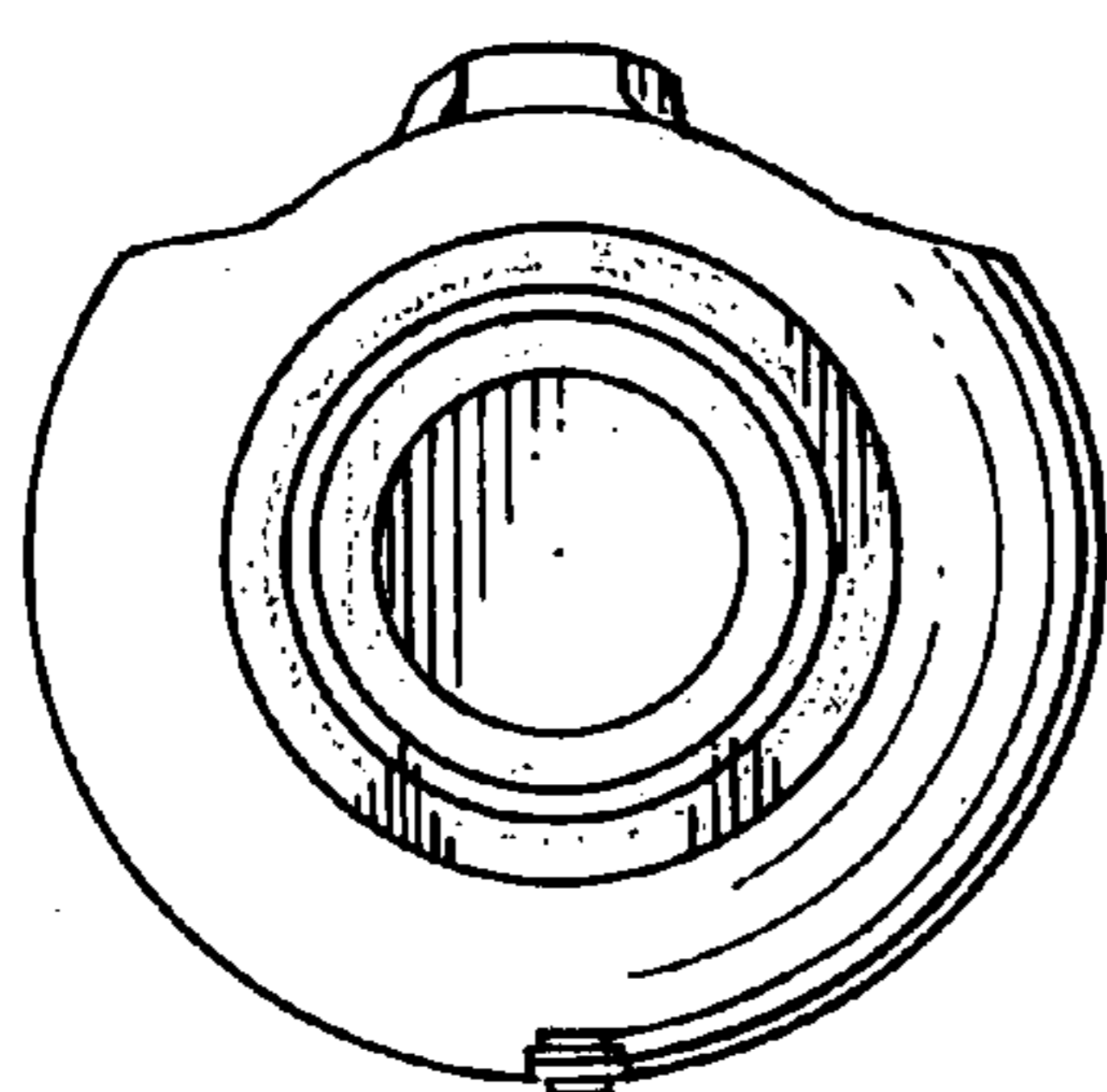


FIG. 5

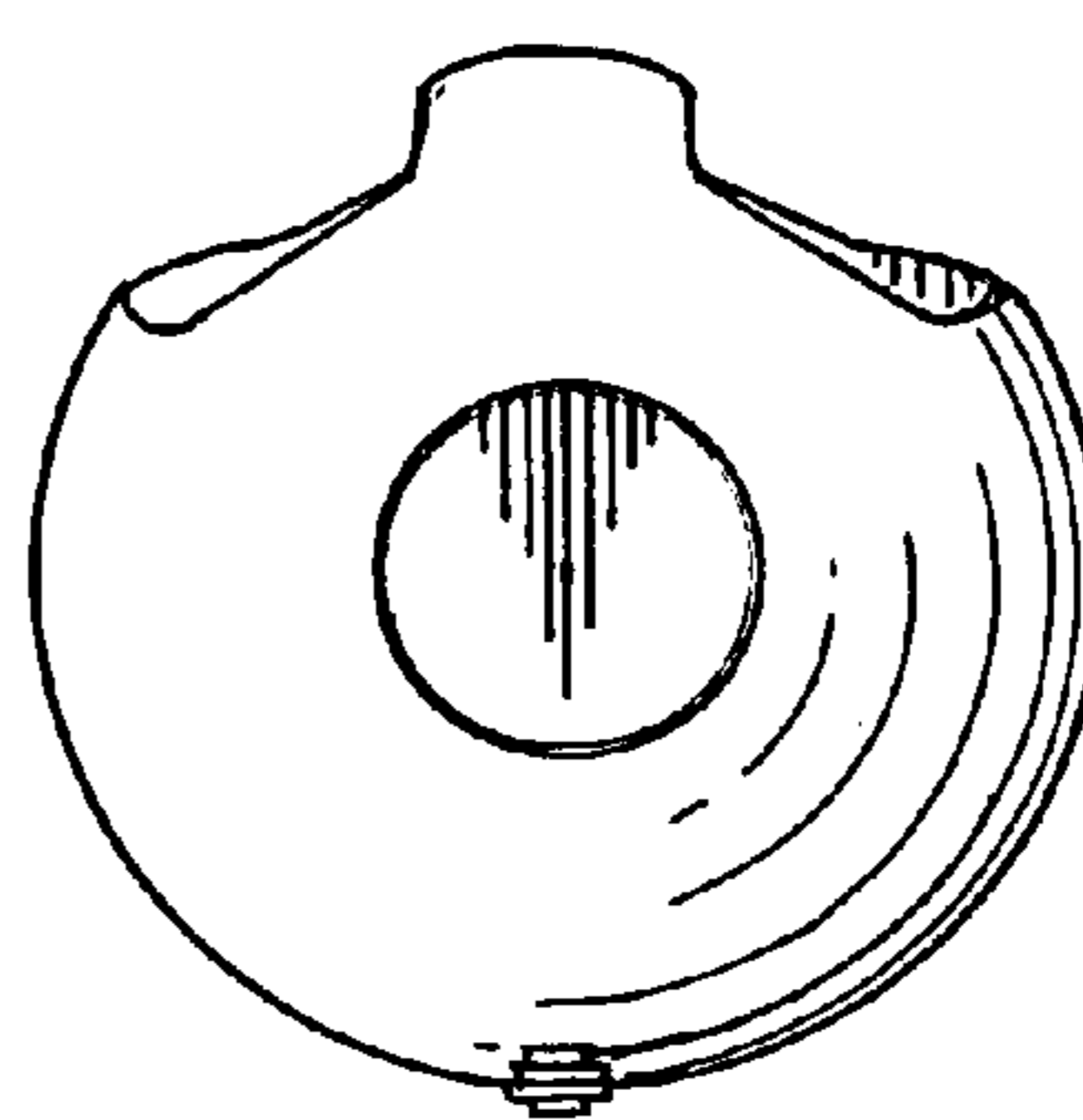


FIG. 6