



US00D608588S

(12) **United States Design Patent**
Womack

(10) **Patent No.:** **US D608,588 S**

(45) **Date of Patent:** **** Jan. 26, 2010**

(54) **DISPOSABLE STOVE DRIP PAN INSERT**

(76) **Inventor:** **Tracy C. Womack**, 3828 Annie La.,
Virginia Beach, VA (US) 23452

(**) **Term:** **14 Years**

(21) **Appl. No.:** **29/315,046**

(22) **Filed:** **May 20, 2009**

(51) **LOC (9) Cl.** **07-02**

(52) **U.S. Cl.** **D7/407**

(58) **Field of Classification Search** D7/32,
D7/346, 354-361, 402, 407, 409, 543, 545;
219/459.1, 460.1, 461.1, 455.11, 455.12,
219/538; 99/324, 339, 446; 126/1 R, 27,
126/39 M, 214 D

See application file for complete search history.

(56) **References Cited**

U.S. PATENT DOCUMENTS

D203,910 S *	2/1966	Sachnoff et al.	D7/407
D215,384 S *	9/1969	Meschwitzer	D7/407
D250,081 S *	10/1978	Stansberry et al.	D7/407
D256,657 S *	9/1980	Stansberry et al.	D7/407
D320,531 S *	10/1991	Schweitzer	D7/402
D345,891 S *	4/1994	Blanco	D7/402
D434,601 S *	12/2000	Lewis et al.	D7/407
D438,061 S *	2/2001	Lewis et al.	D7/407
D438,062 S *	2/2001	Lewis et al.	D7/407

D462,571 S *	9/2002	Chiang	D7/402
D462,872 S *	9/2002	Chiang	D7/402
D465,131 S *	11/2002	Alden	D7/409
D466,369 S *	12/2002	Alden	D7/409
D497,774 S *	11/2004	Smith et al.	D7/543
D499,936 S *	12/2004	Wiedmeyer et al.	D7/545
D568,091 S *	5/2008	Garcia	D7/354

* cited by examiner

Primary Examiner—T. Chase Nelson

Assistant Examiner—Mark Cavanna

(74) *Attorney, Agent, or Firm*—William G. Sykes

(57) **CLAIM**

The ornamental design for a disposable stove drip pan insert, as shown.

DESCRIPTION

FIG. 1 is a front right isometric view of a disposable stove drip pan insert showing my new design;

FIG. 2 is a top view thereof;

FIG. 3 is a bottom view thereof;

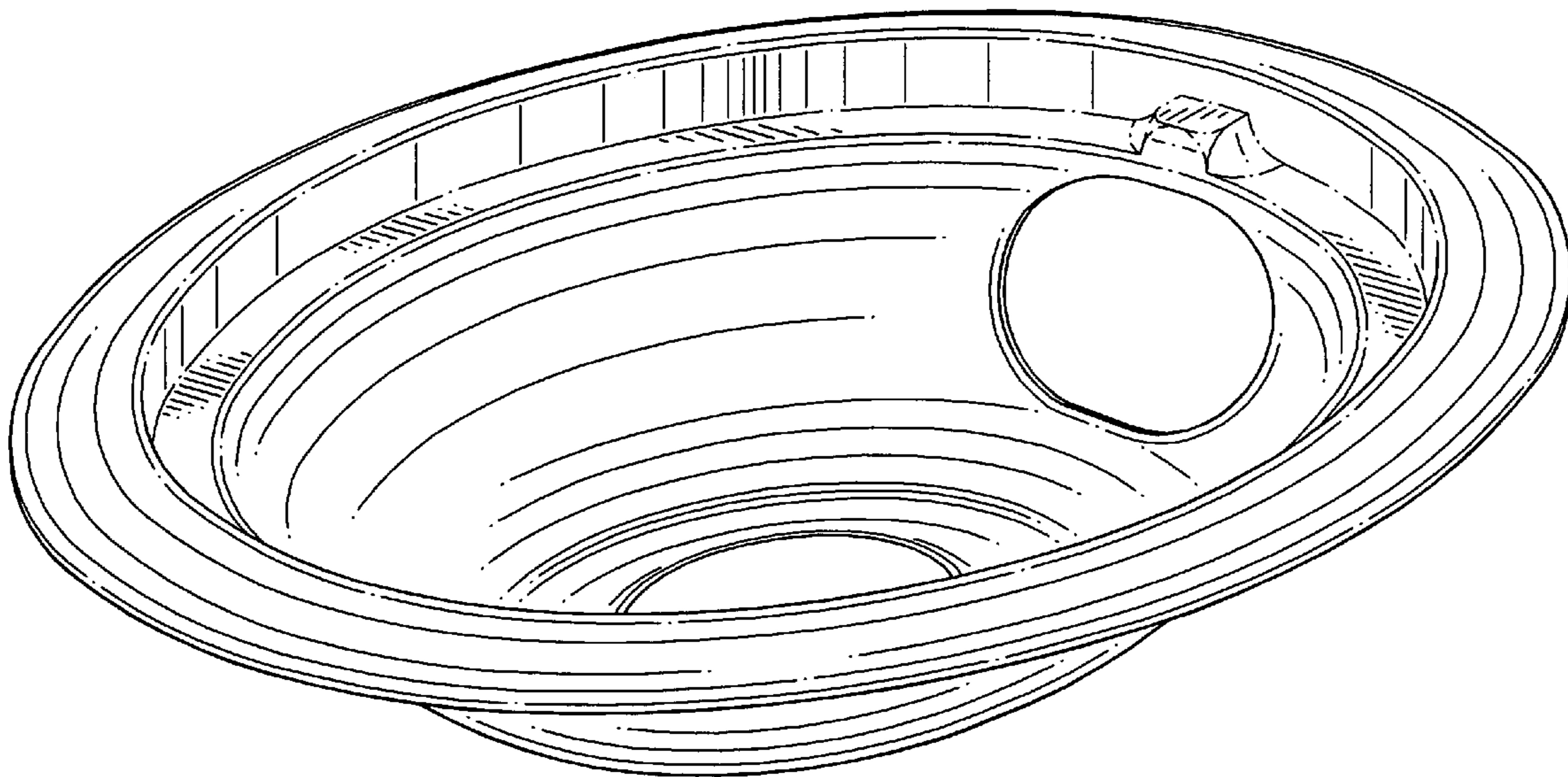
FIG. 4 is a right side view thereof;

FIG. 5 is a left side view thereof;

FIG. 6 is a front view thereof; and,

FIG. 7 is a back view.

1 Claim, 4 Drawing Sheets



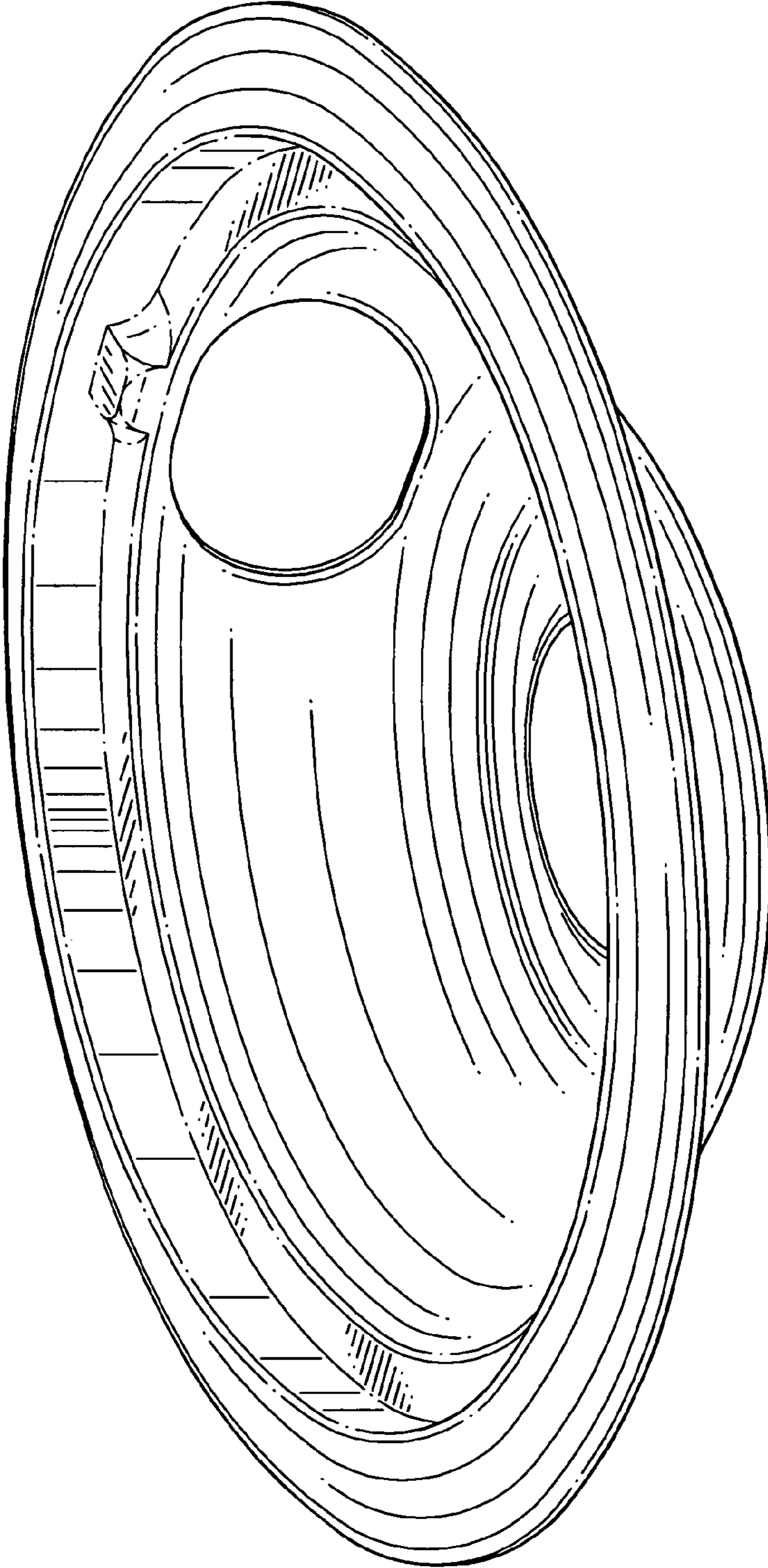


FIG. 1

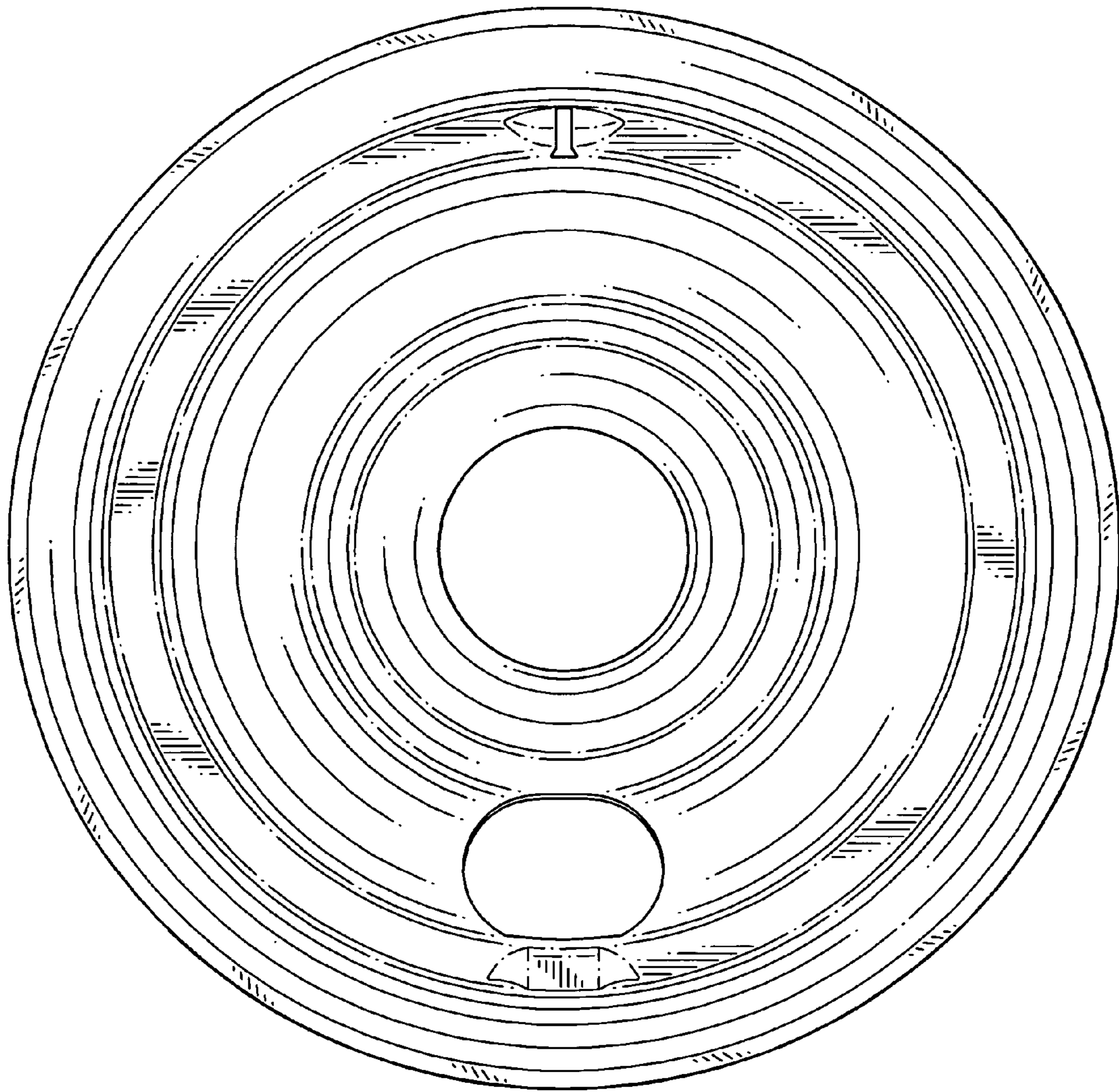


FIG. 2

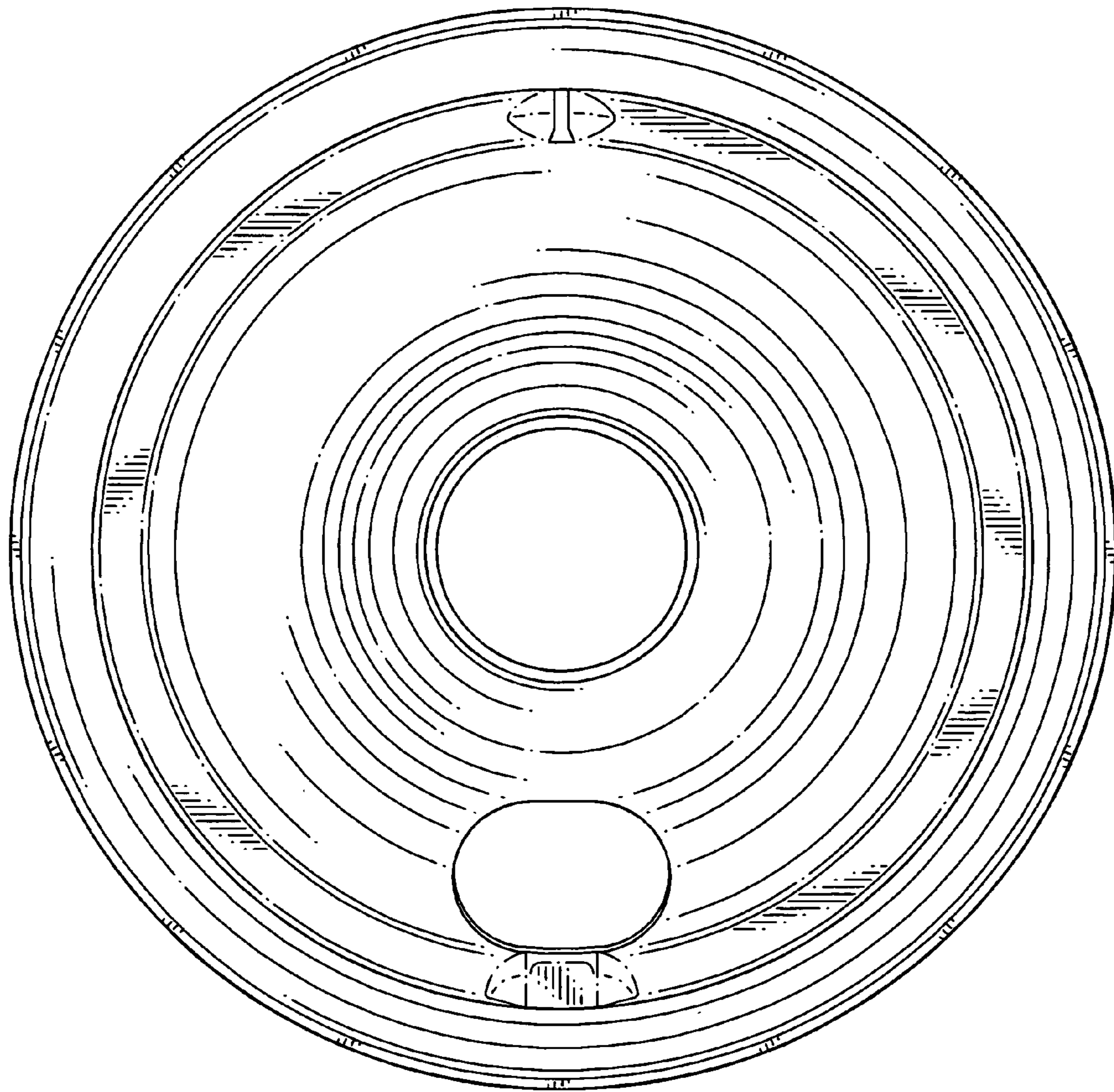


FIG. 3

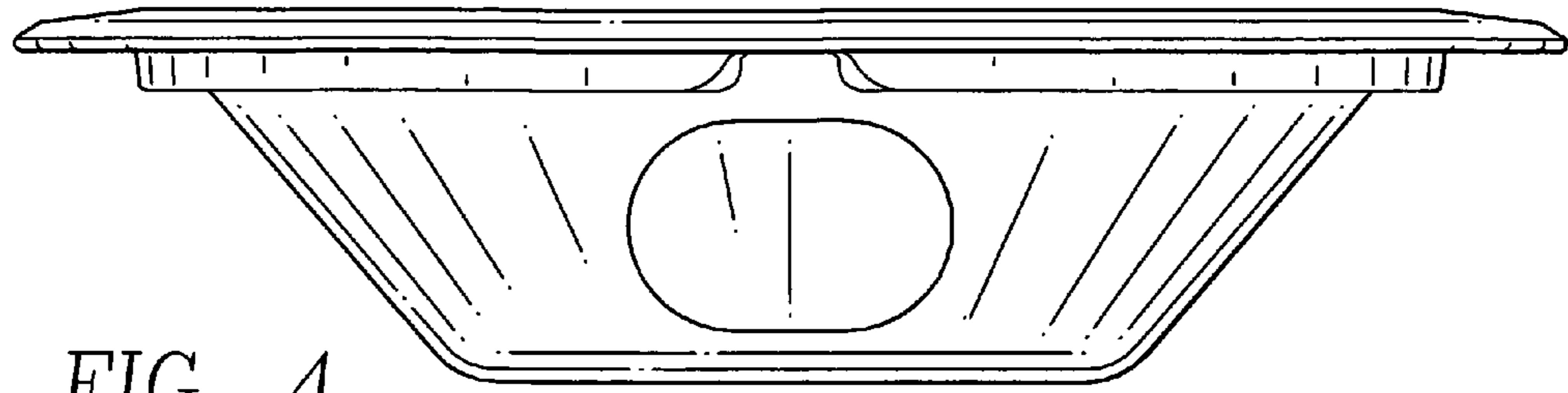


FIG. 4

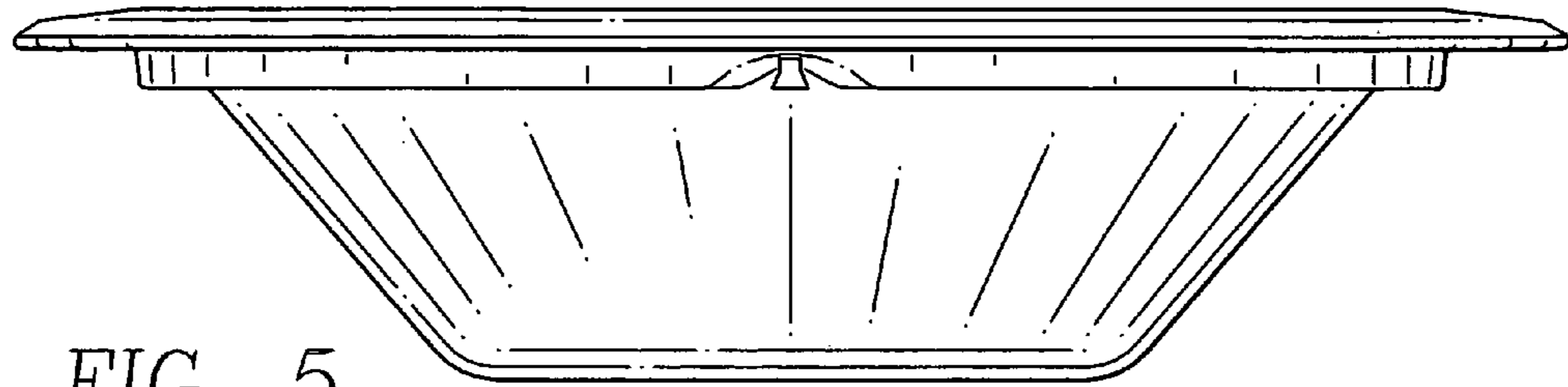


FIG. 5

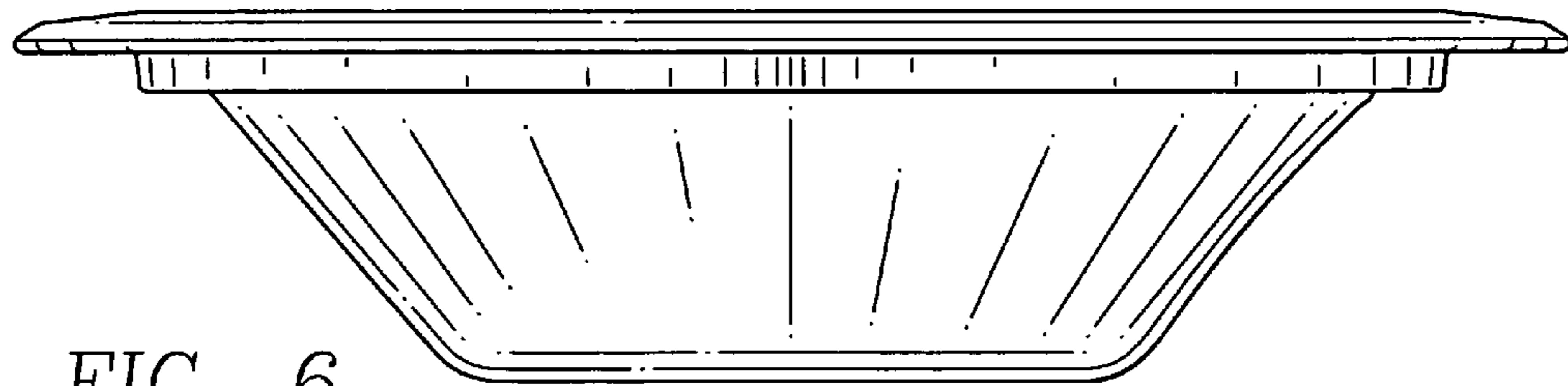


FIG. 6

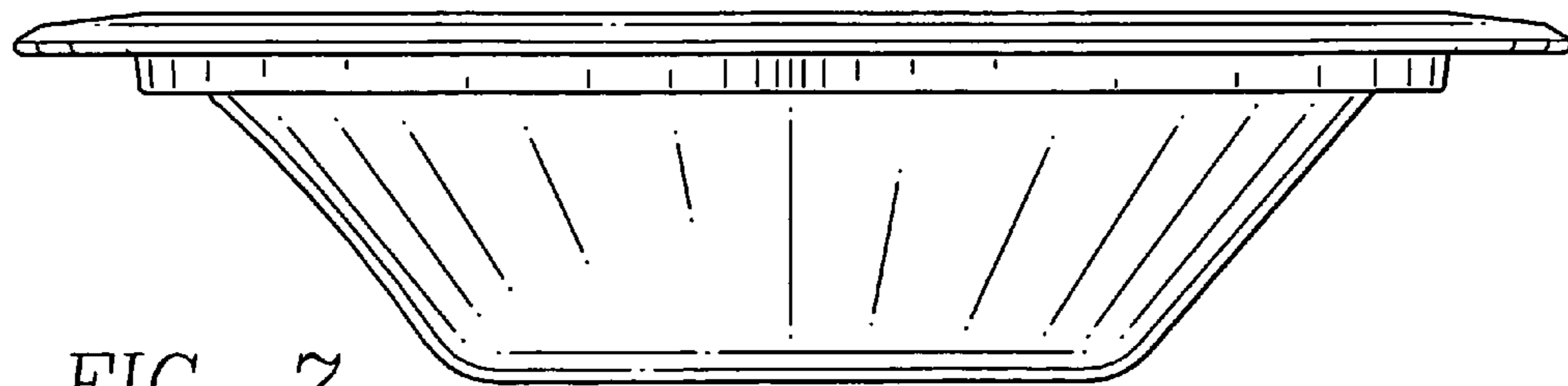


FIG. 7