



US00D608587S

(12) **United States Design Patent**
Bluestone et al.

(10) **Patent No.:** **US D608,587 S**

(45) **Date of Patent:** **** Jan. 26, 2010**

(54) **BARBECUE GRILL**

(76) Inventors: **Ronald H. Bluestone**, 955 Kiowa Ave., #G, Lake Havasu City, AZ (US) 86403;
Ryan J. Bluestone, 955 Kiowa Ave., #G, Lake Havasu City, AZ (US) 86403

(**) Term: **14 Years**

(21) Appl. No.: **29/310,995**

(22) Filed: **Sep. 23, 2008**

(51) **LOC (9) Cl.** **07-02**

(52) **U.S. Cl.** **D7/402**

(58) **Field of Classification Search** D7/332,
D7/334-337, 402-406; 126/25 R, 9 R, 37 R,
126/41 R, 40, 42, 50, 9 A, 9 B, 299 C, 98,
126/201, 43-44, 48, 38

See application file for complete search history.

(56) **References Cited**

U.S. PATENT DOCUMENTS

D443,463 S * 6/2001 Szollosy D7/332

D534,765 S 1/2007 Thurman, Jr. et al.

D535,140 S 1/2007 Thurman, Jr. et al.

D578,821 S * 10/2008 Young D7/332

* cited by examiner

Primary Examiner—Ruth McInroy

(74) *Attorney, Agent, or Firm*—Gregory J. Nelson

(57) **CLAIM**

We claim the ornamental design for a barbecue grill, as shown and described.

DESCRIPTION

FIG. 1 is a front perspective view of a barbecue grill showing our new design;

FIG. 2 is a perspective view thereof in an open position;

FIG. 3 is a left side view thereof;

FIG. 4 is a right side view thereof;

FIG. 5 is a front view thereof;

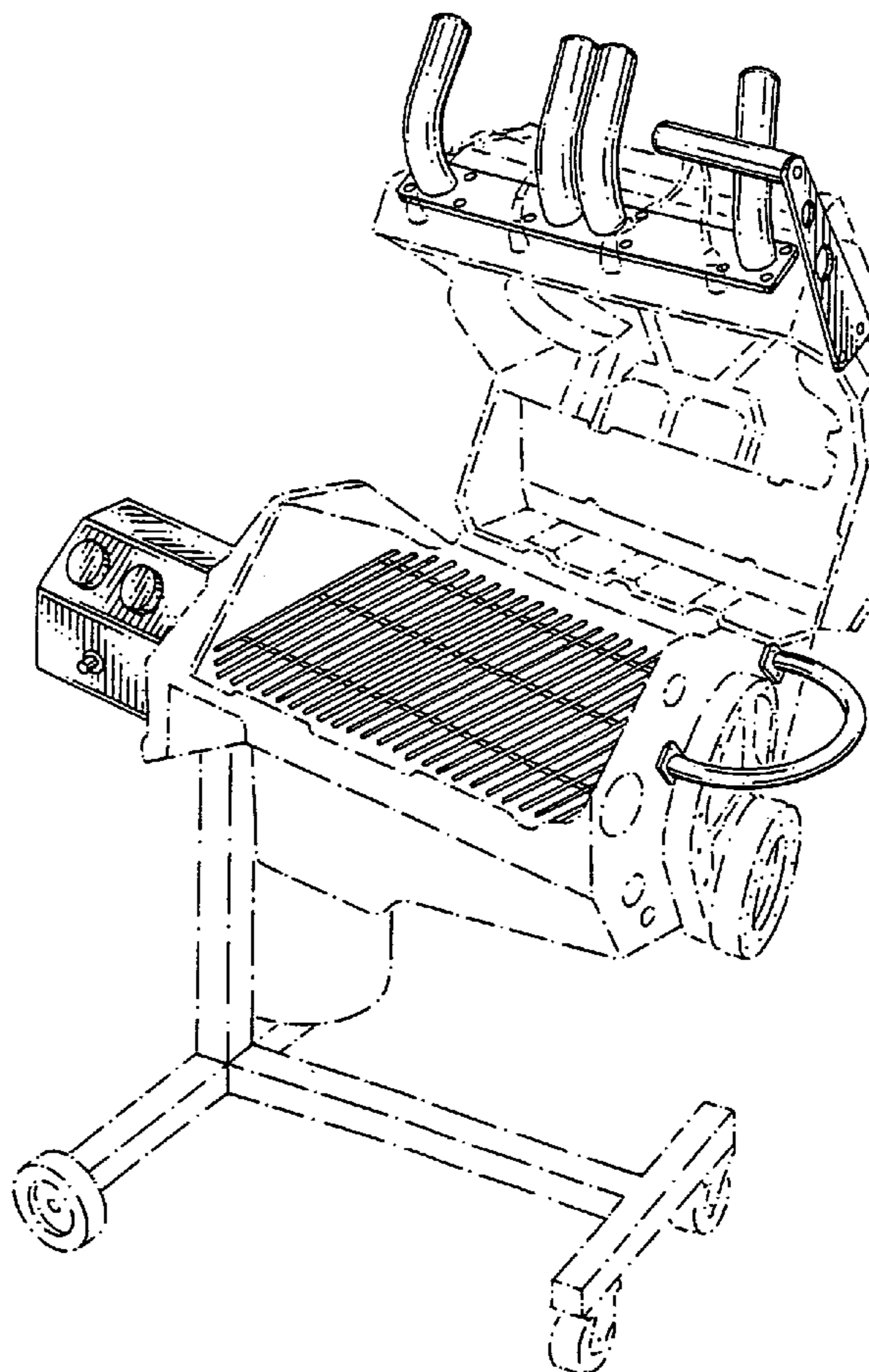
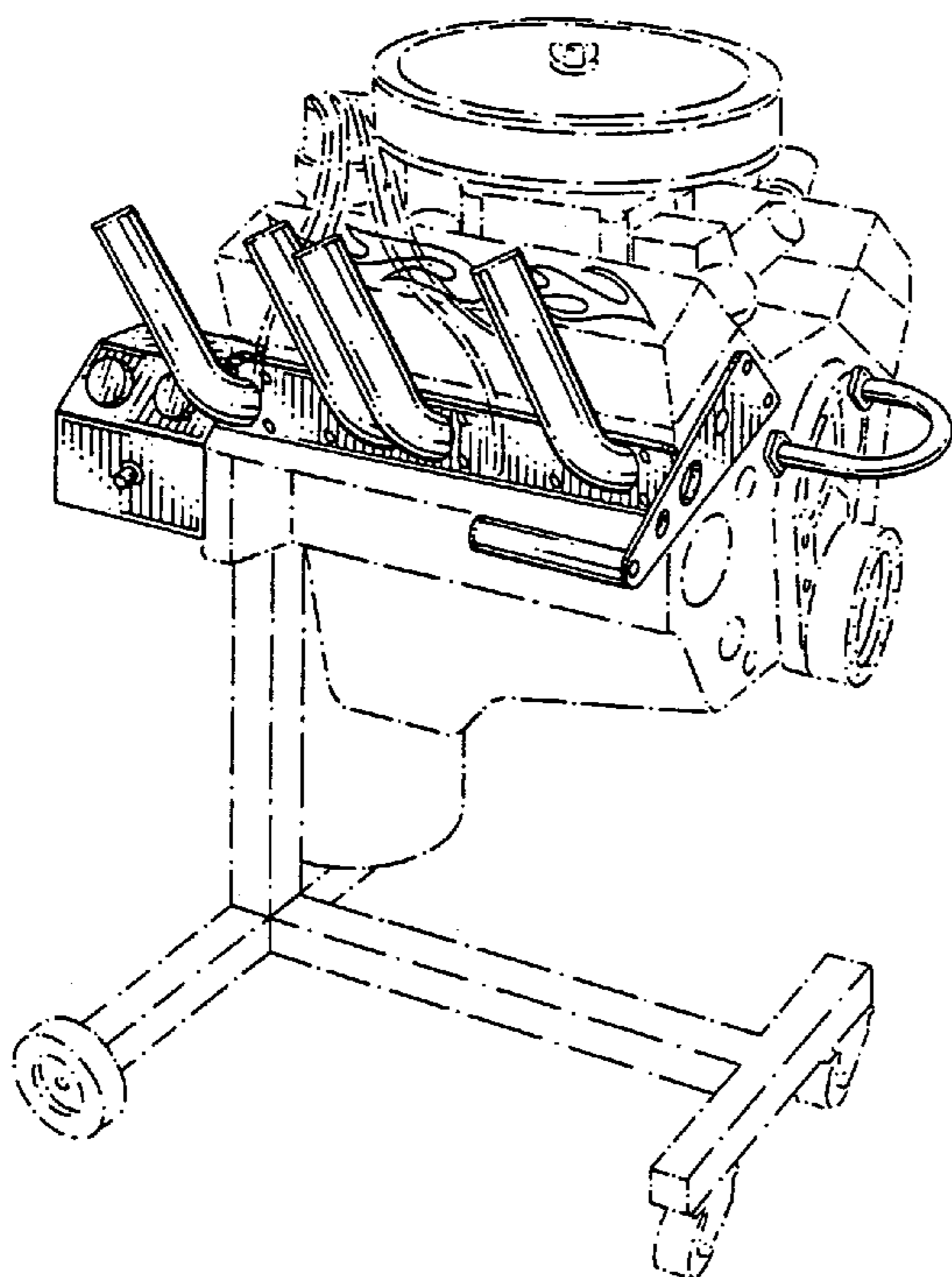
FIG. 6 is a rear view thereof;

FIG. 7 is a top view thereof; and,

FIG. 8 is a bottom view thereof.

The details shown in broken lines form no part of the claimed design.

1 Claim, 4 Drawing Sheets



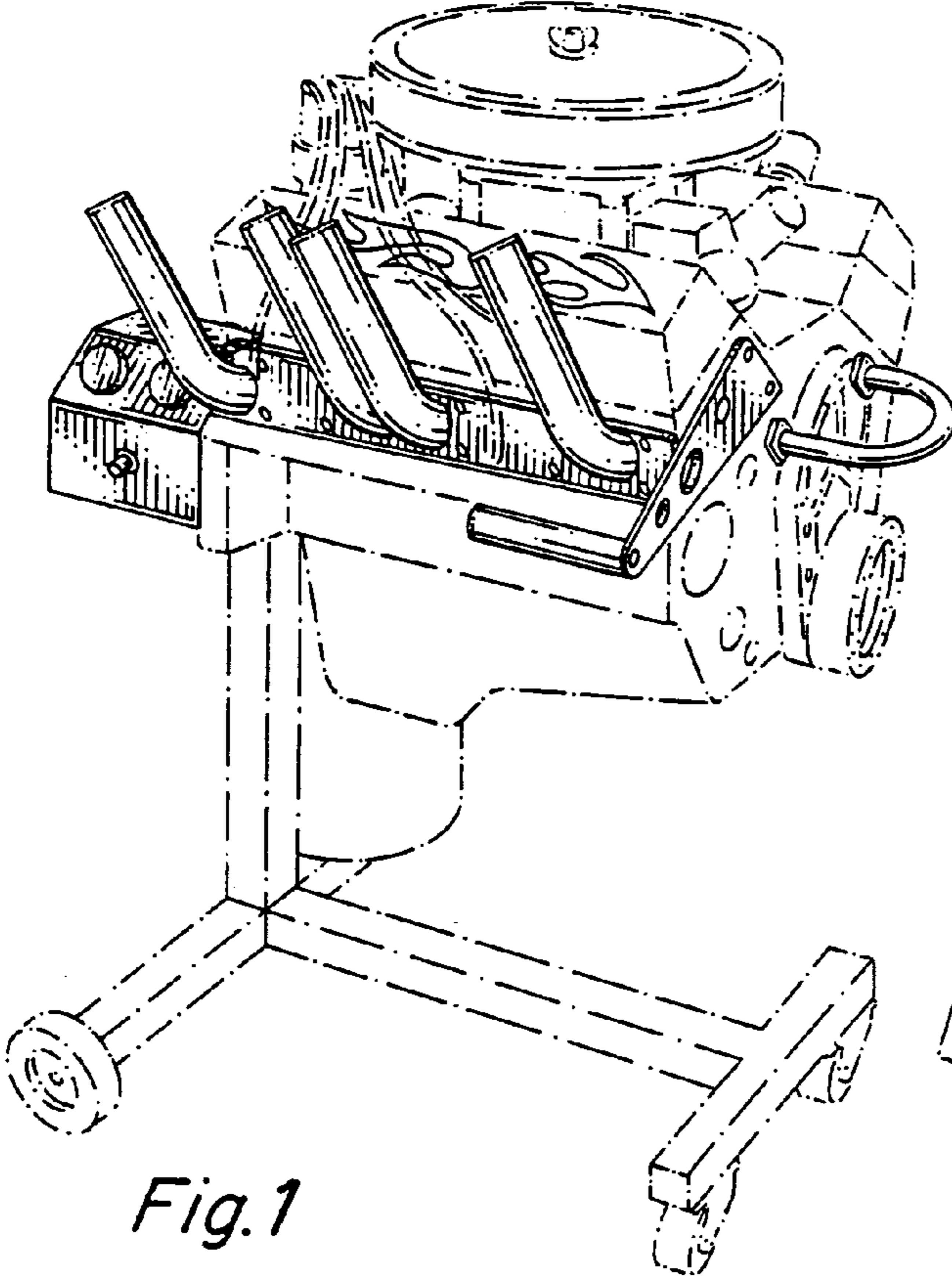


Fig. 1

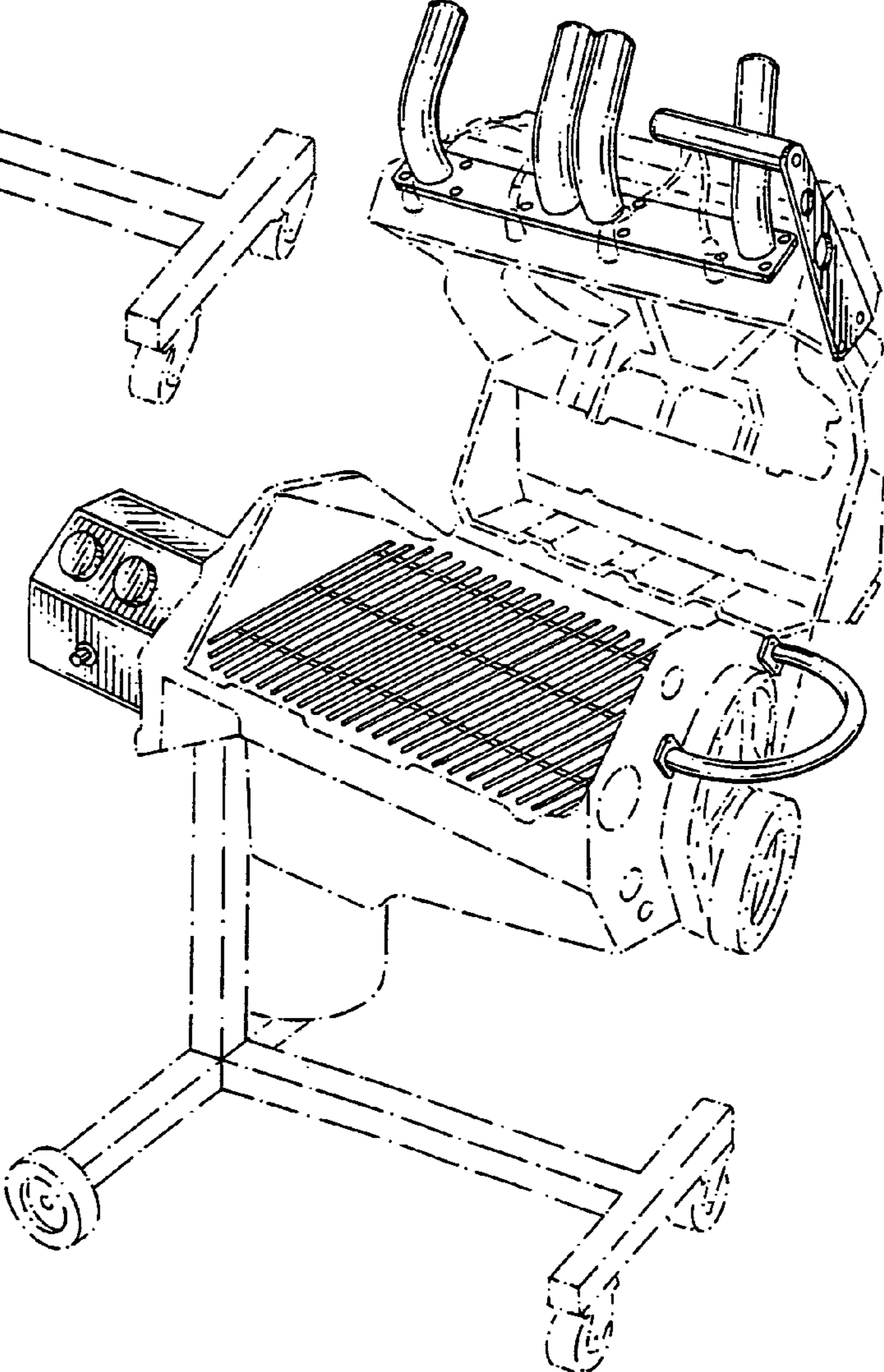


Fig. 2

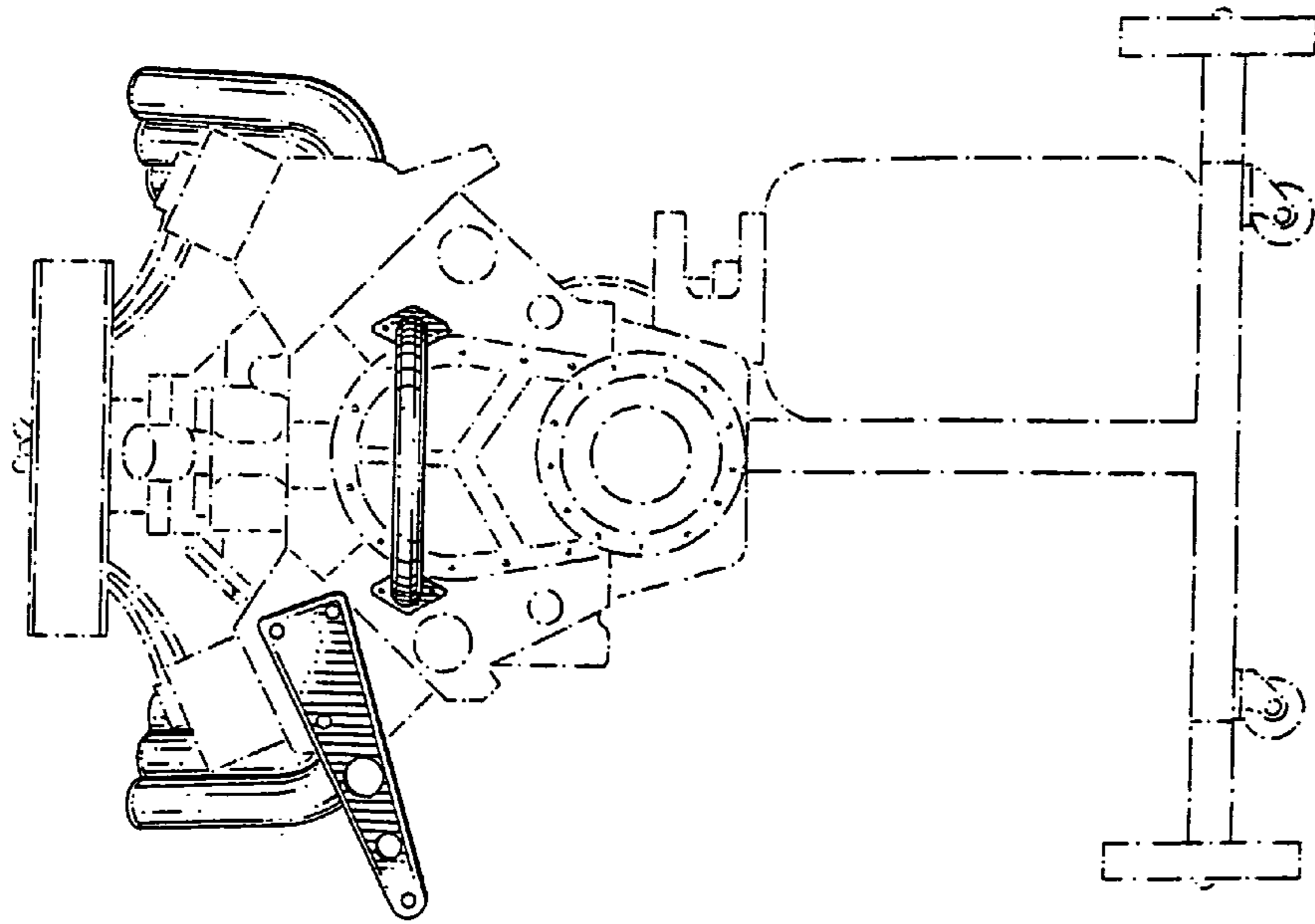


Fig. 4

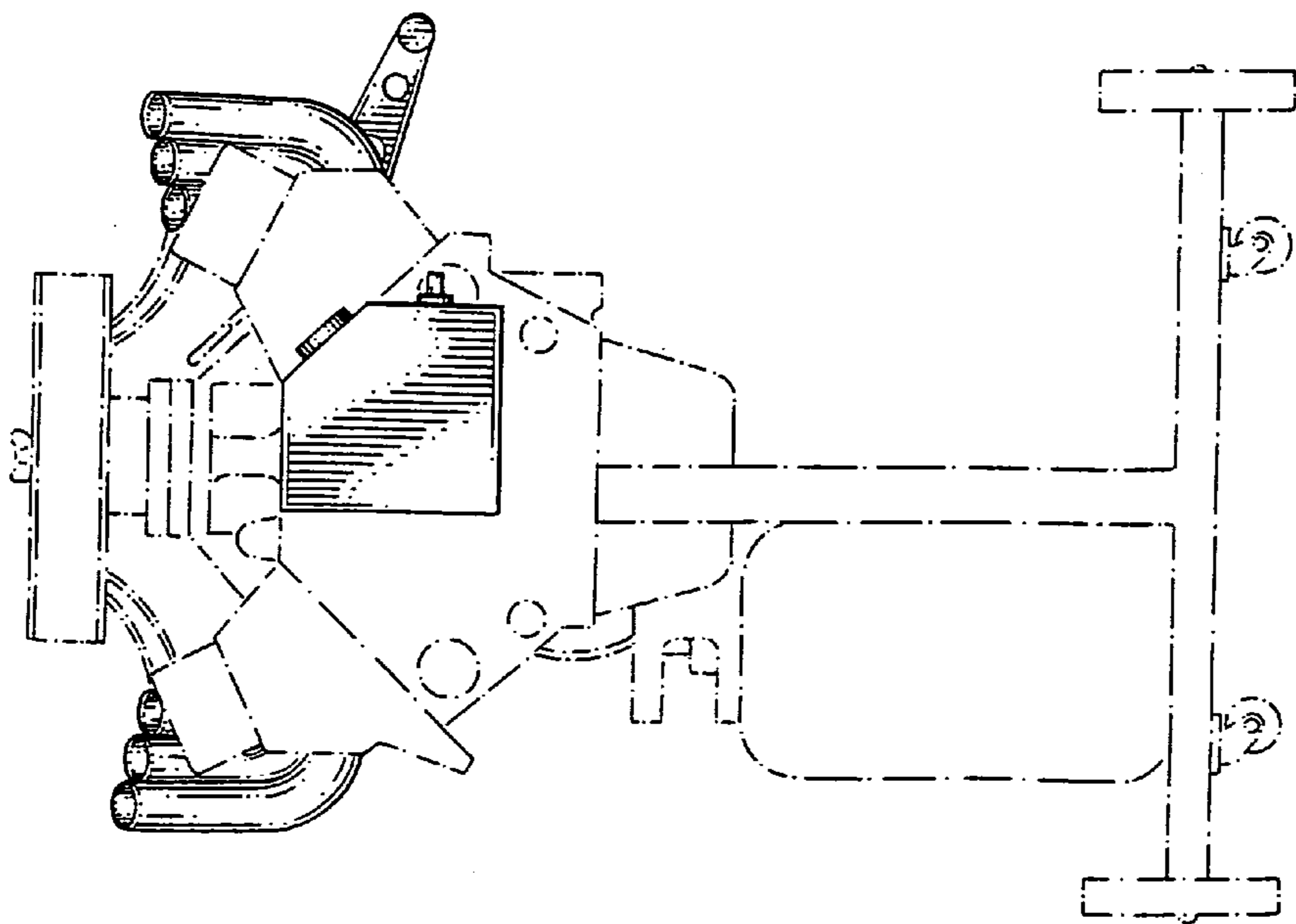


Fig. 3

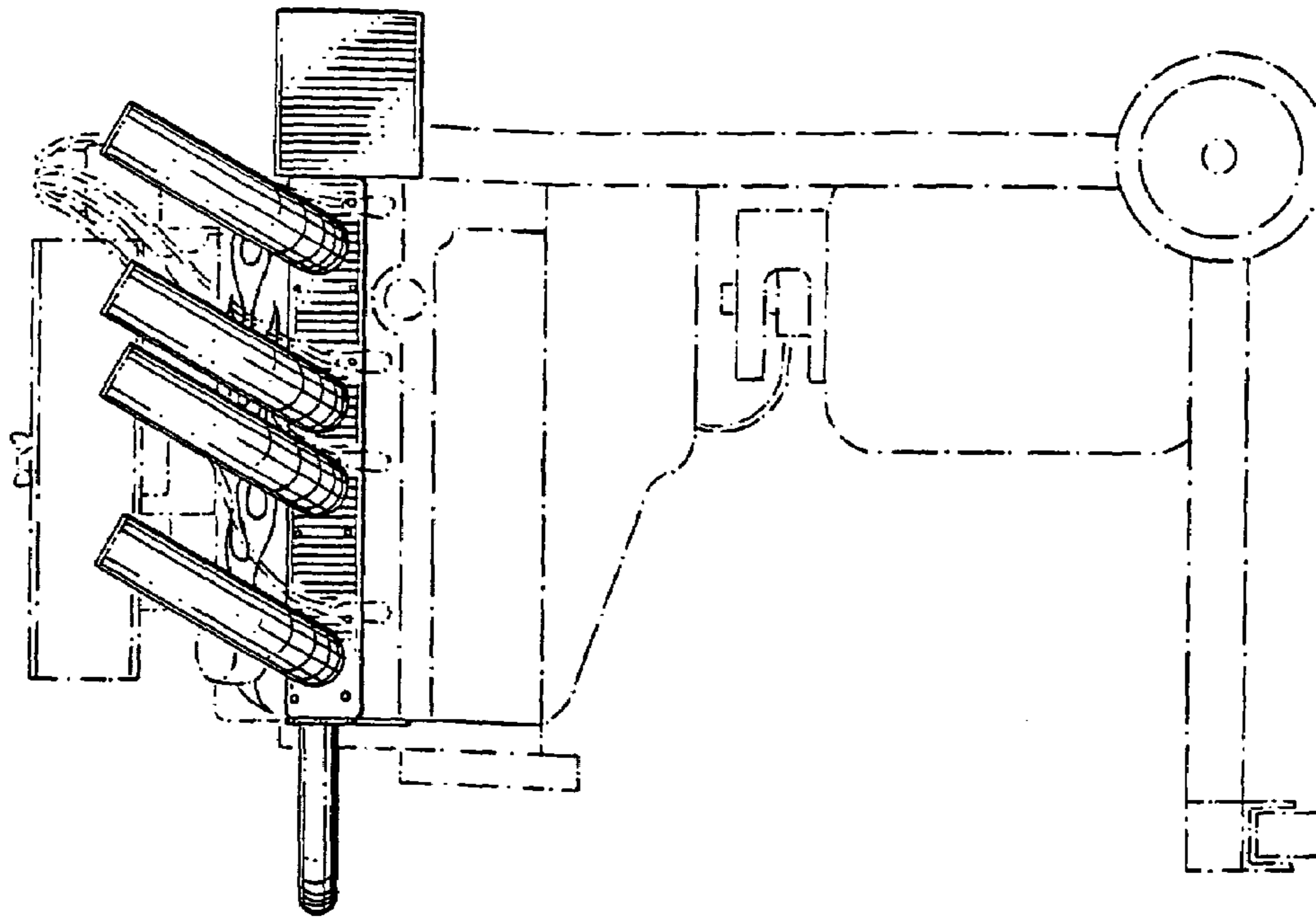


Fig. 6

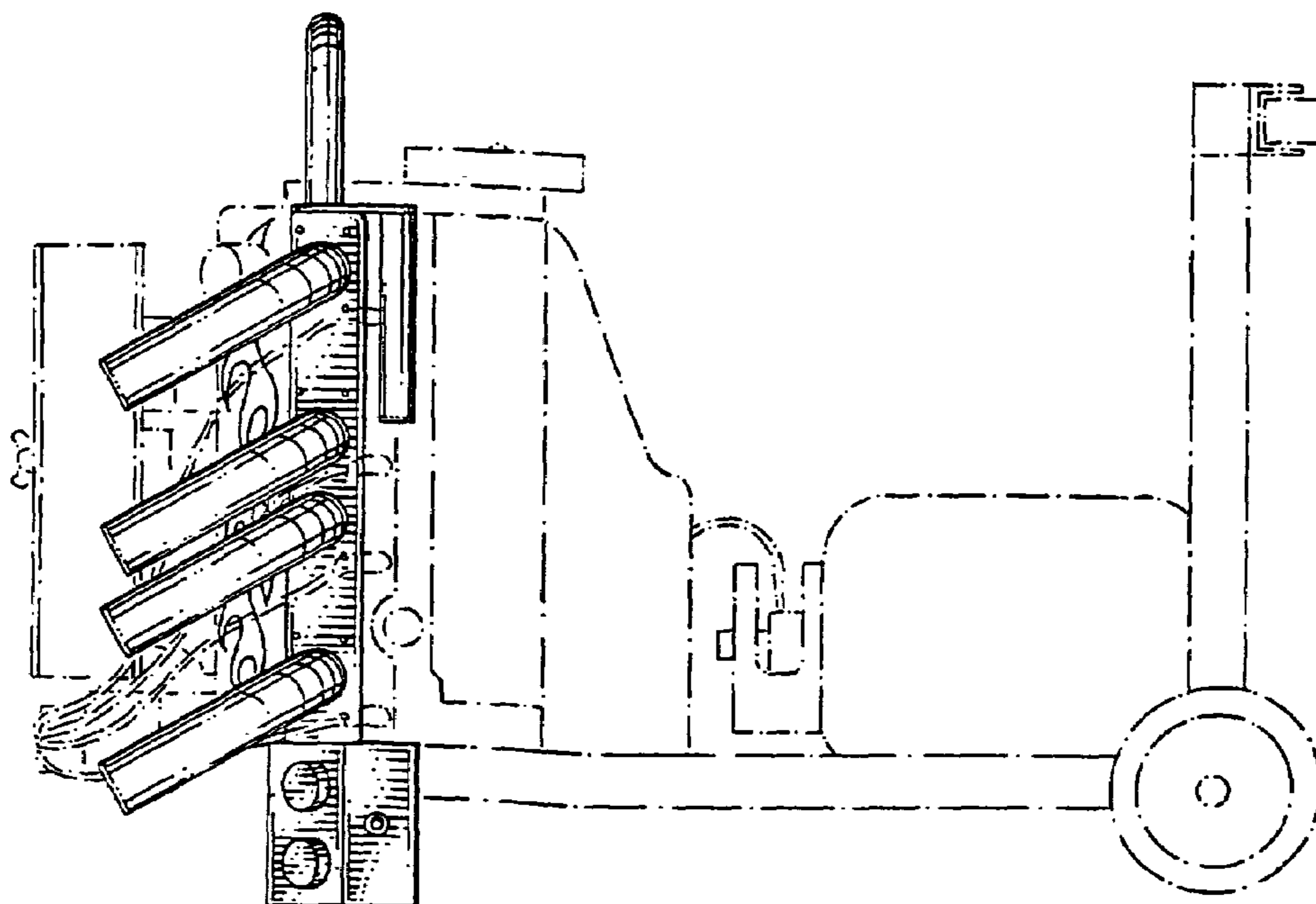


Fig. 5

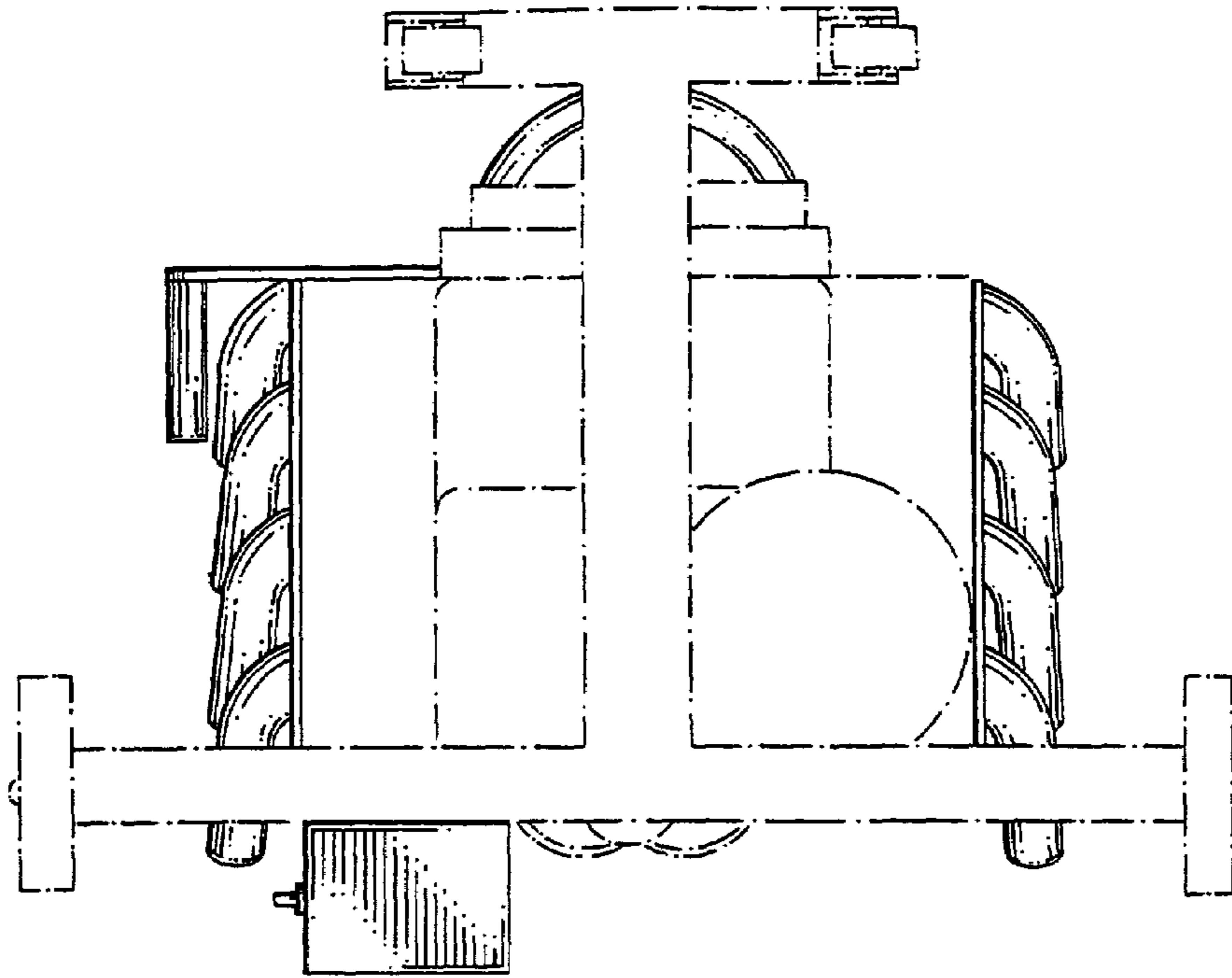


Fig. 8

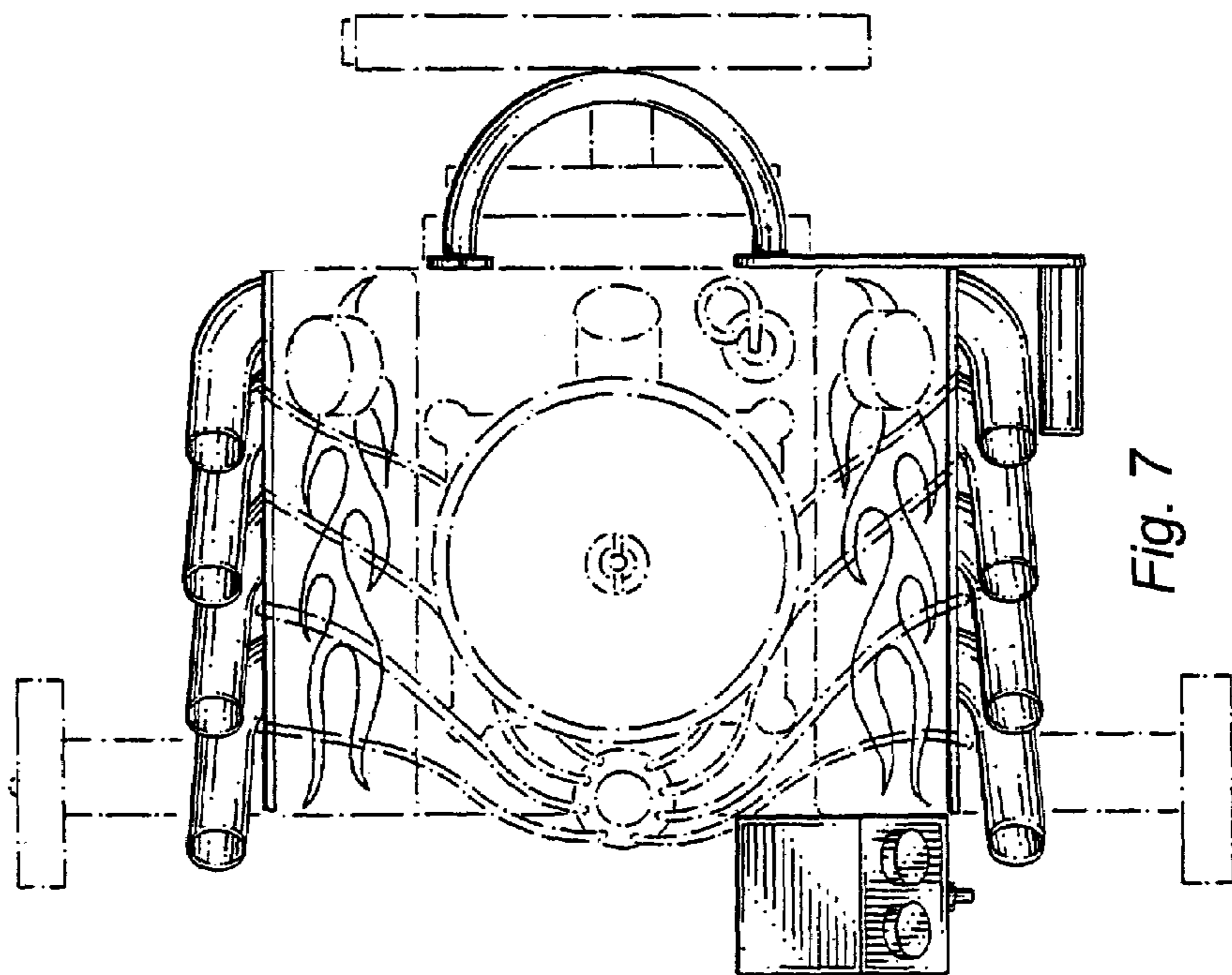


Fig. 7