



US00D608585S

(12) **United States Design Patent**  
**Picozza et al.**

(10) **Patent No.:** **US D608,585 S**  
(45) **Date of Patent:** **\*\* Jan. 26, 2010**

(54) **COOKWARE**

(75) Inventors: **Augusto Picozza**, Boca Raton, FL (US);  
**Nancy Perkins**, Dallas, TX (US); **Diana W. Juratovac**, Columbus, OH (US);  
**Elisabeth Sung-Eun Choi**, Sungnam-si (KR)

(73) Assignee: **Sunbeam Products, Inc.**, Boca Raton, FL (US)

(\*\*) Term: **14 Years**

(21) Appl. No.: **29/342,350**

(22) Filed: **Aug. 24, 2009**

(51) **LOC (9) Cl.** ..... **07-02**

(52) **U.S. Cl.** ..... **D7/354**

(58) **Field of Classification Search** ..... D7/323,  
D7/330-331, 339, 350.2, 350-367, 378-379,  
D7/383-384, 391, 392.1, 538, 540-545, 584,  
D7/667; D9/425, 428, 431, 500; D11/157;  
99/324-325, 329 R, 330-339; 219/432-433,  
219/438-441, 620-622, 725-730; 220/4.21,  
220/203.1, 203.7, 303, 573.1-574, 769, 912;  
229/125.17; 426/438, 441

See application file for complete search history.

(56) **References Cited**

**U.S. PATENT DOCUMENTS**

D75,427 S *	6/1928	Joseph	.....	D7/354
2,707,588 A *	5/1955	Amberg	.....	229/125.17
3,360,153 A *	12/1967	Wheaton, Jr.	.....	220/4.21
D244,246 S *	5/1977	Daenen	.....	D7/540
D254,831 S *	4/1980	Smith	.....	D7/540
D288,648 S *	3/1987	Monaghan	.....	D7/540

D289,269 S *	4/1987	Fleckenstein	.....	D11/157
D330,514 S *	10/1992	Edwards	.....	D9/431
D416,445 S *	11/1999	Henry	.....	D7/545
D429,150 S *	8/2000	Lindsay et al.	.....	D9/425
D474,111 S *	5/2003	Lazaris	.....	D9/428
D482,240 S *	11/2003	Soohee et al.	.....	D7/584
D529,797 S *	10/2006	Wilcox et al.	.....	D9/428
D532,293 S *	11/2006	Martin	.....	D9/425
D549,050 S *	8/2007	Spencer et al.	.....	D7/538
D572,133 S *	7/2008	Wilson et al.	.....	D9/500
D572,979 S *	7/2008	Delbaere	.....	D7/545
D591,590 S *	5/2009	Wilson et al.	.....	D9/428
D591,591 S *	5/2009	Moecks et al.	.....	D9/428

\* cited by examiner

*Primary Examiner*—Caron Veynar

*Assistant Examiner*—Ricky Pham

(74) *Attorney, Agent, or Firm*—Lawrence J. Shurupoff

(57) **CLAIM**

The ornamental design for a cookware, as shown and described.

**DESCRIPTION**

FIG. 1 is a front right perspective view of the cookware showing the new design;

FIG. 2 is a front elevation view thereof;

FIG. 3 is a back side elevation view thereof;

FIG. 4 is a right side elevation thereof;

FIG. 5 is a left side elevation thereof; and,

FIG. 6 is a top plan view thereof.

The broken lines in the drawings are for illustrative purposes only and form no part of the claimed design.

**1 Claim, 3 Drawing Sheets**

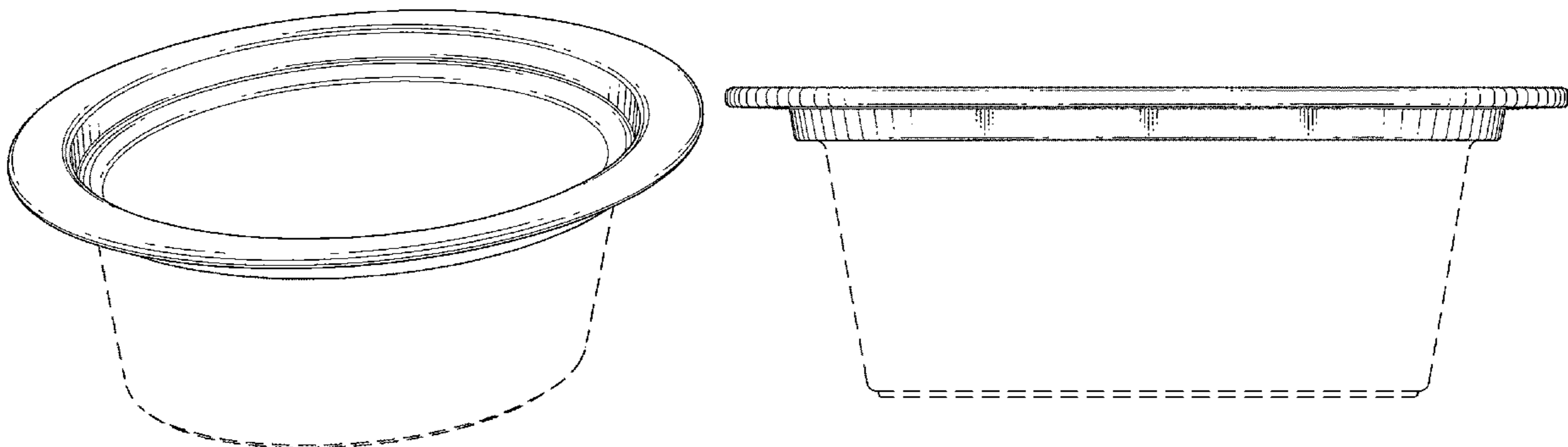


FIG. 1

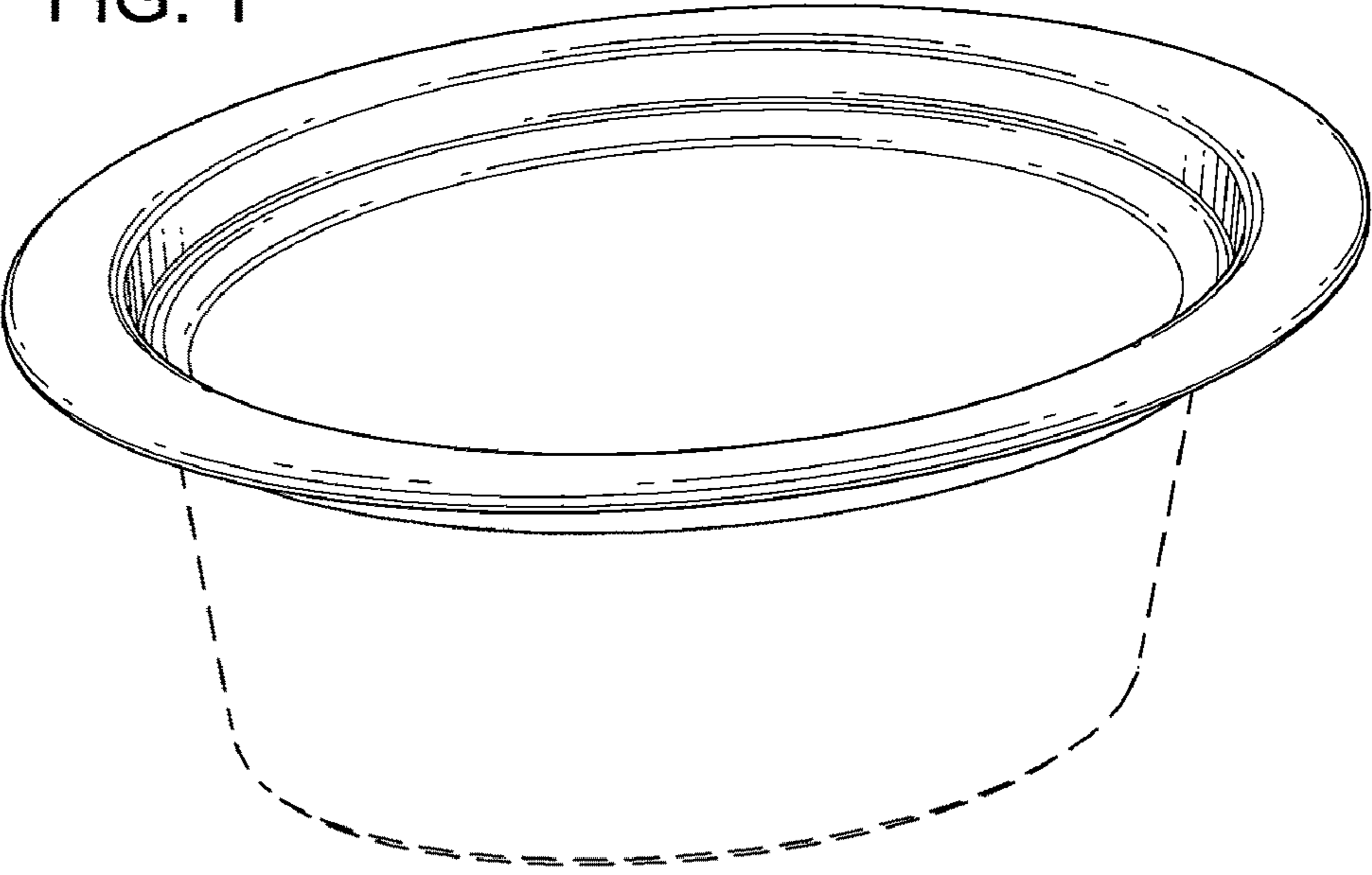


FIG. 2

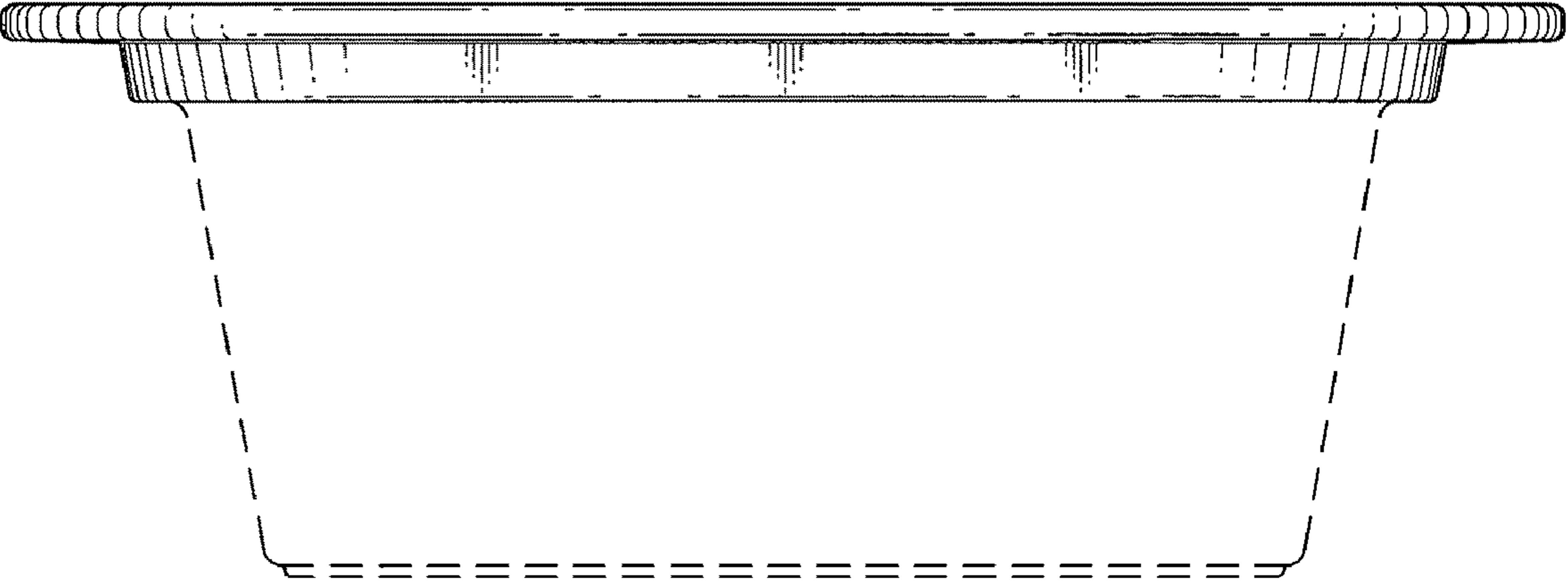


FIG. 3

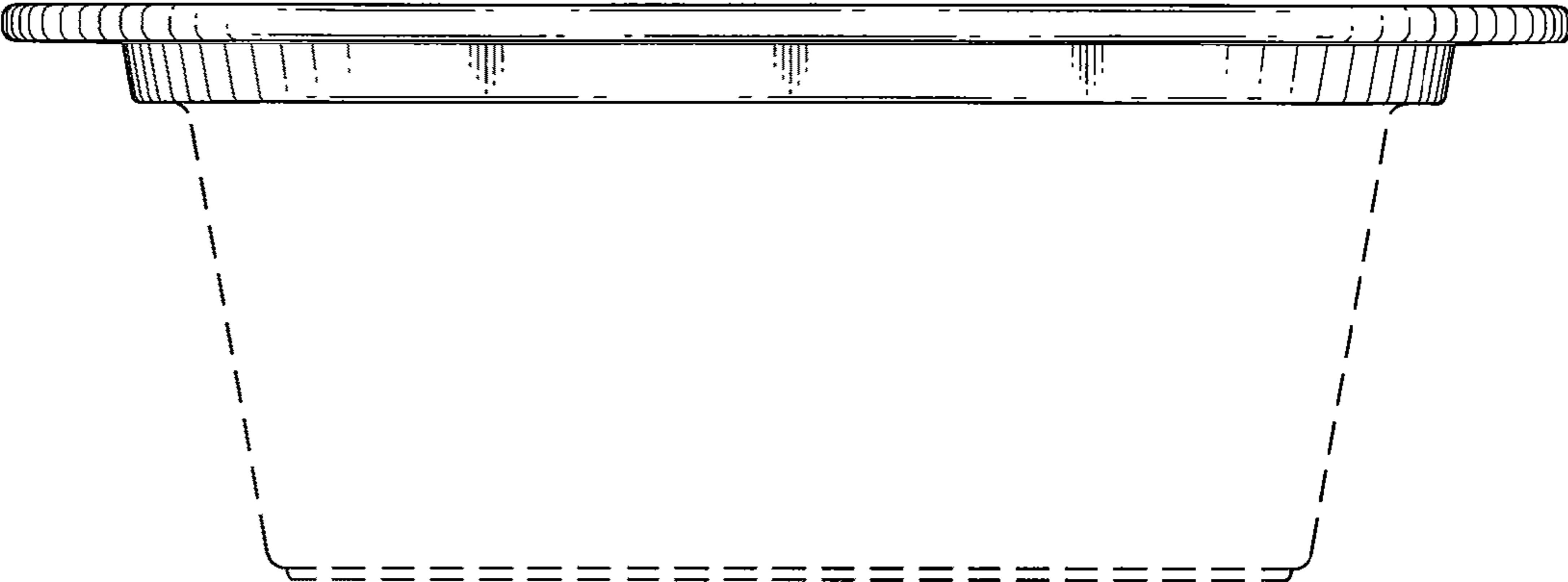


FIG. 4

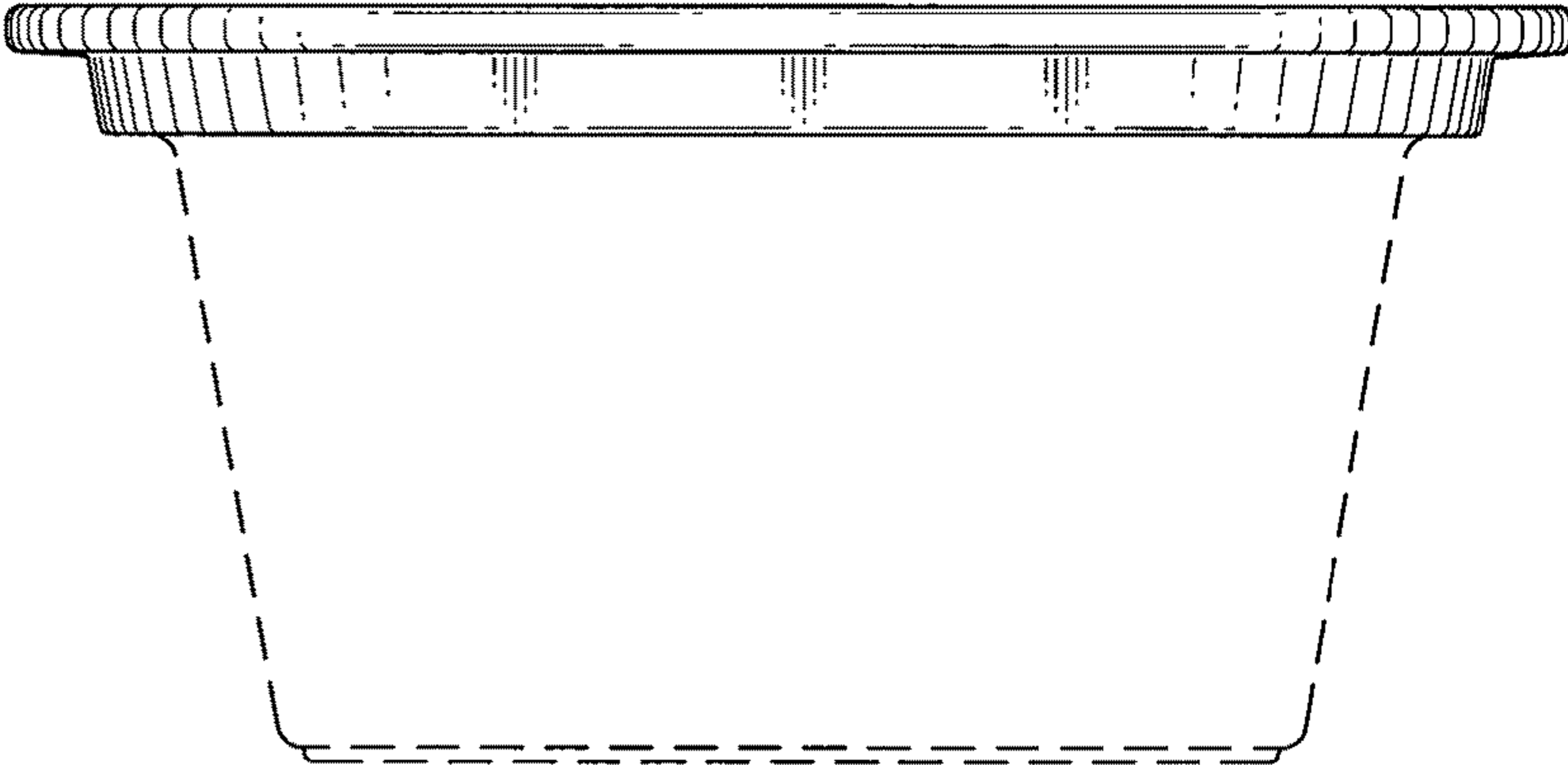


FIG. 5



FIG. 6

