



US00D608580S

(12) **United States Design Patent**
Pai

(10) **Patent No.:** **US D608,580 S**
(45) **Date of Patent:** **** Jan. 26, 2010**

(54) **GRILL**

(76) **Inventor:** **Lucas Pai**, 19F-1, No. 159, Sec. 1,
Chung-Kang Rd., West. Dist., Taichung
City (TW)

(**) **Term:** **14 Years**

(21) **Appl. No.:** **29/333,179**

(22) **Filed:** **Mar. 4, 2009**

(51) **LOC (9) Cl.** **07-02**

(52) **U.S. Cl.** **D7/334**

(58) **Field of Classification Search** D7/332,
D7/334-337, 402-406; 126/25 R, 9 R, 37 R,
126/41 R, 40, 42, 50, 9 A, 299 C, 98, 201,
126/43-44, 48, 38; 312/249.8, 249.13
See application file for complete search history.

(56) **References Cited**

U.S. PATENT DOCUMENTS

D486,033 S *	2/2004	Tseng	D7/334
D501,753 S *	2/2005	Pai	D7/334
D502,357 S *	3/2005	Pai	D7/334
D514,881 S *	2/2006	Pai	D7/402
D521,307 S *	5/2006	Parrant et al.	D7/334
D544,290 S *	6/2007	Pai	D7/334
D549,510 S *	8/2007	Chung	D7/334

D550,501 S *	9/2007	Chung	D7/334
D571,603 S *	6/2008	Chung	D7/334
D572,519 S *	7/2008	Thomas	D7/334
D576,441 S *	9/2008	Chung	D7/334

* cited by examiner

Primary Examiner—Ruth McInroy

(74) *Attorney, Agent, or Firm*—Egbert Law Offices PLLC

(57) **CLAIM**

The ornamental design for a grill, as shown and described.

DESCRIPTION

FIG. 1 is an upper perspective view of the grill showing my design.

FIG. 2 is front view thereof;

FIG. 3 is a back view thereof;

FIG. 4 is a side view thereof;

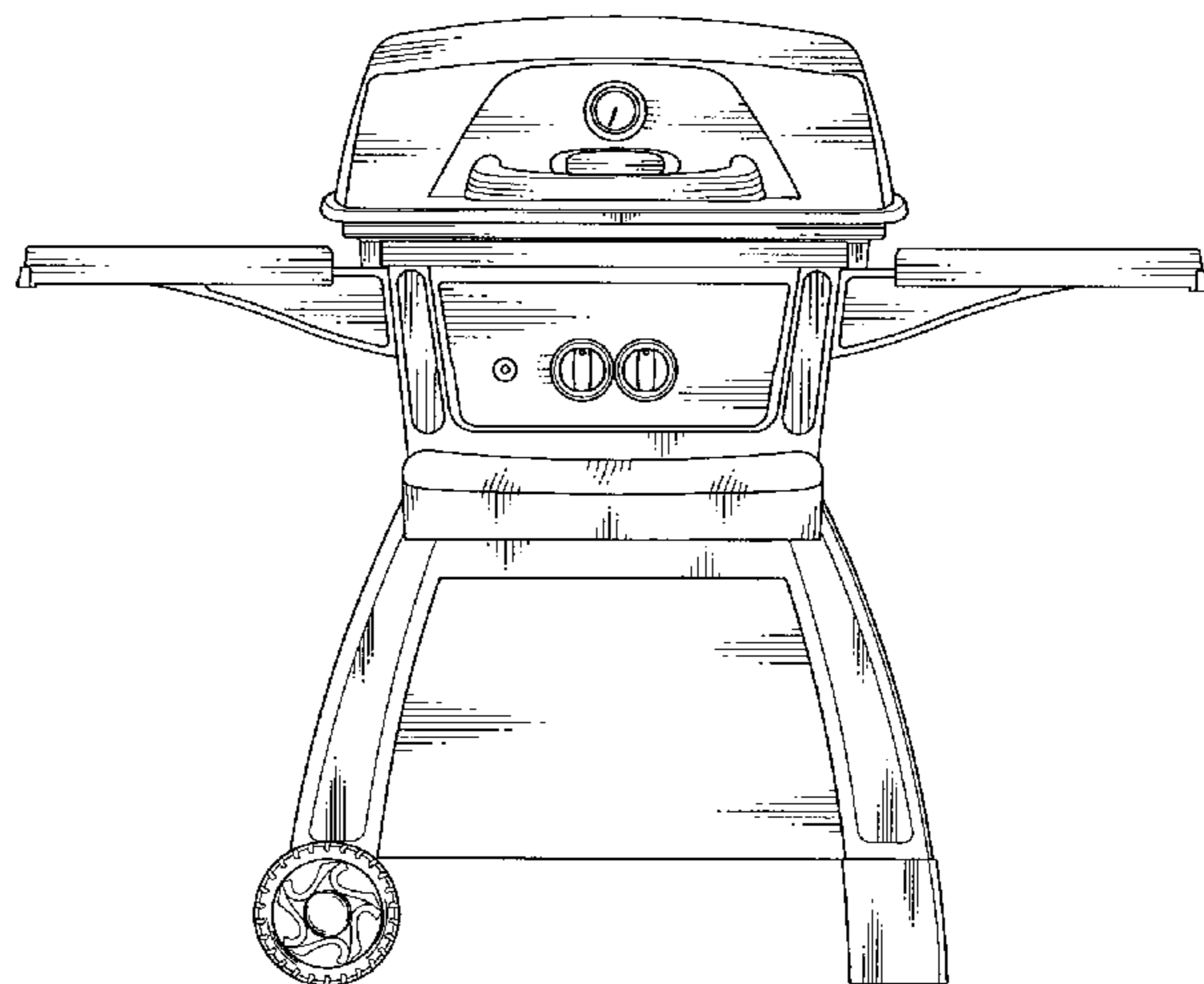
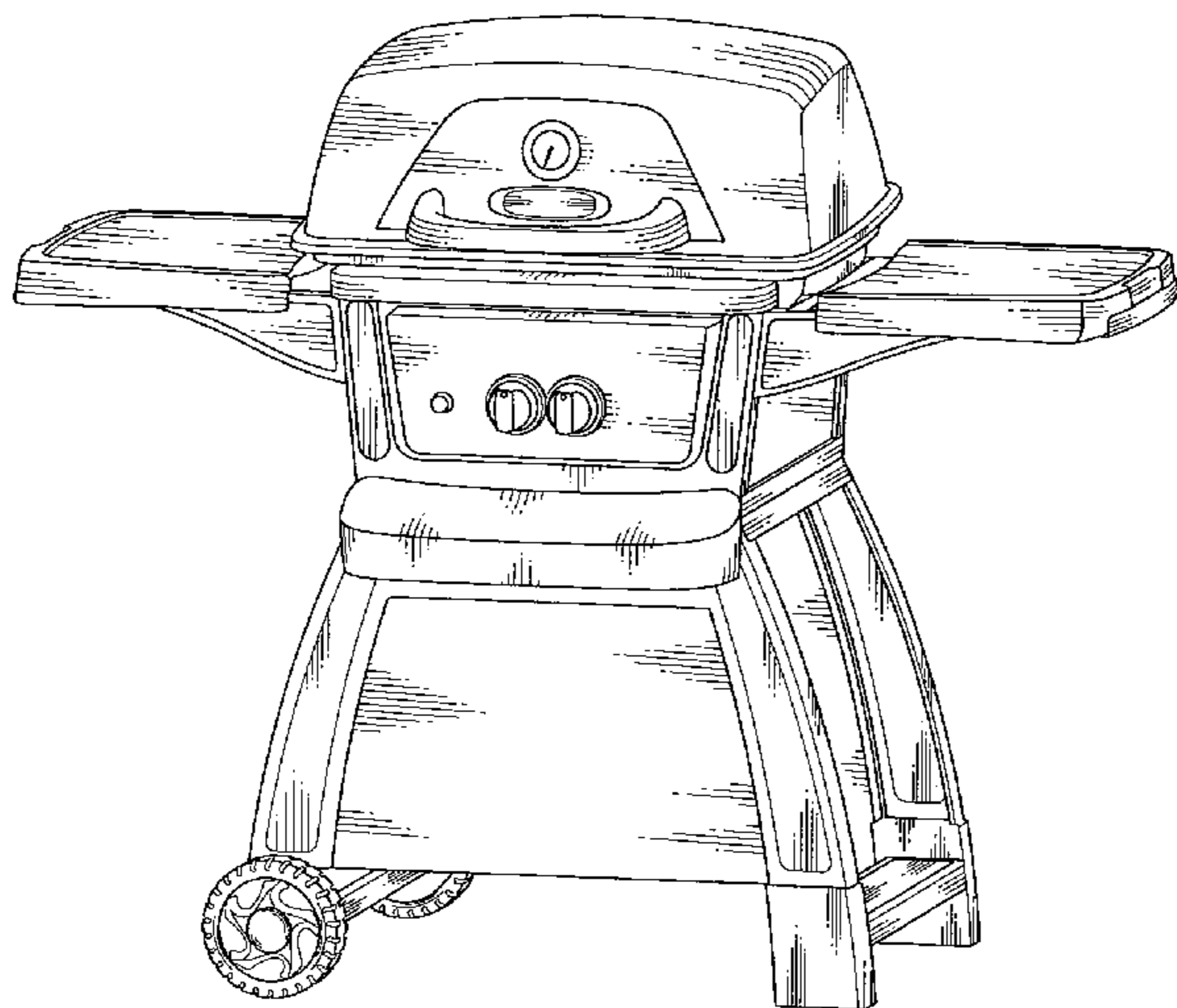
FIG. 5 is an opposite side view thereof;

FIG. 6 is a top plan view thereof; and,

FIG. 7 is a bottom plan view thereof.

The broken lines are for illustrative purposes only and form no part of the claimed design.

1 Claim, 6 Drawing Sheets



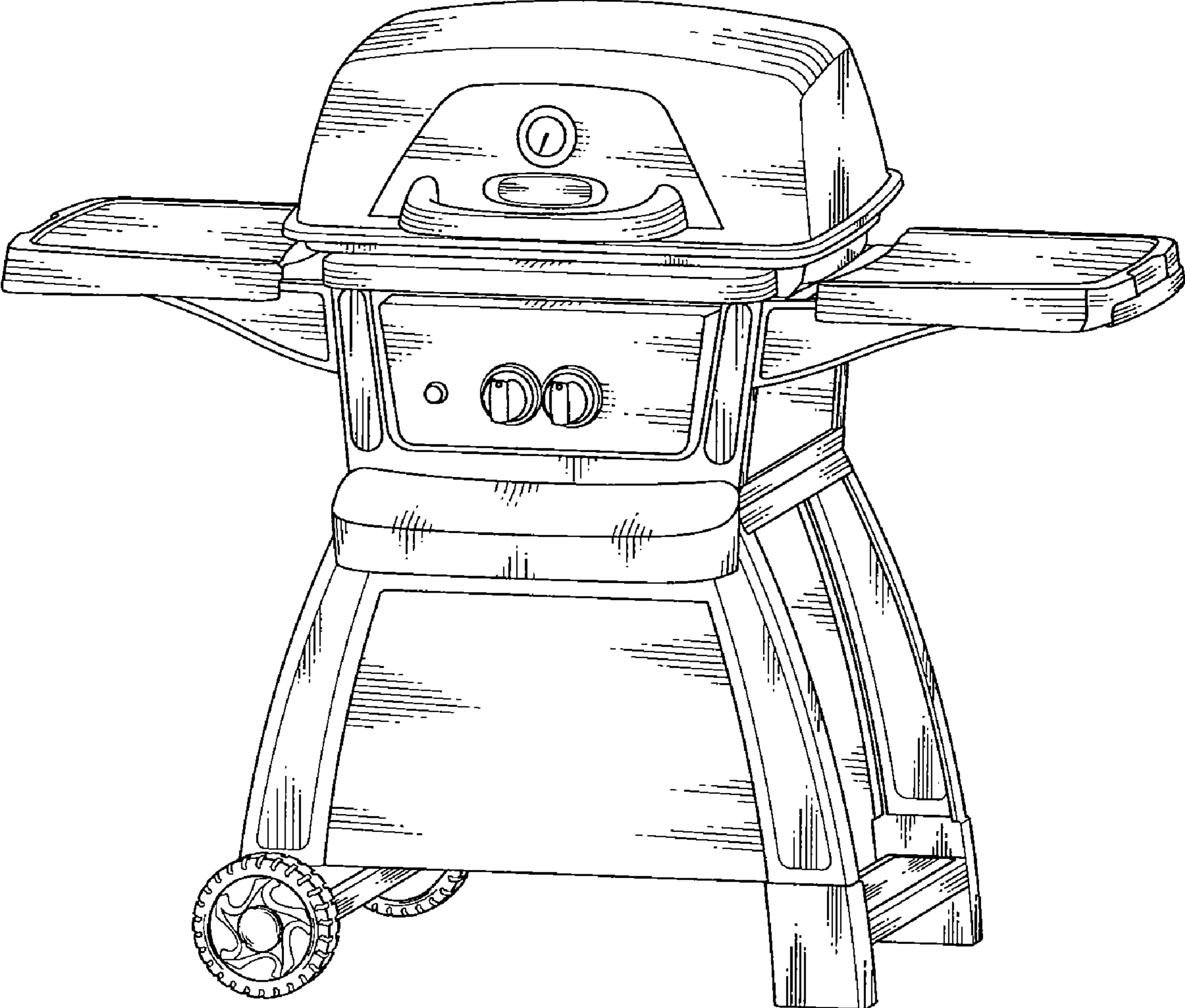


FIG.1

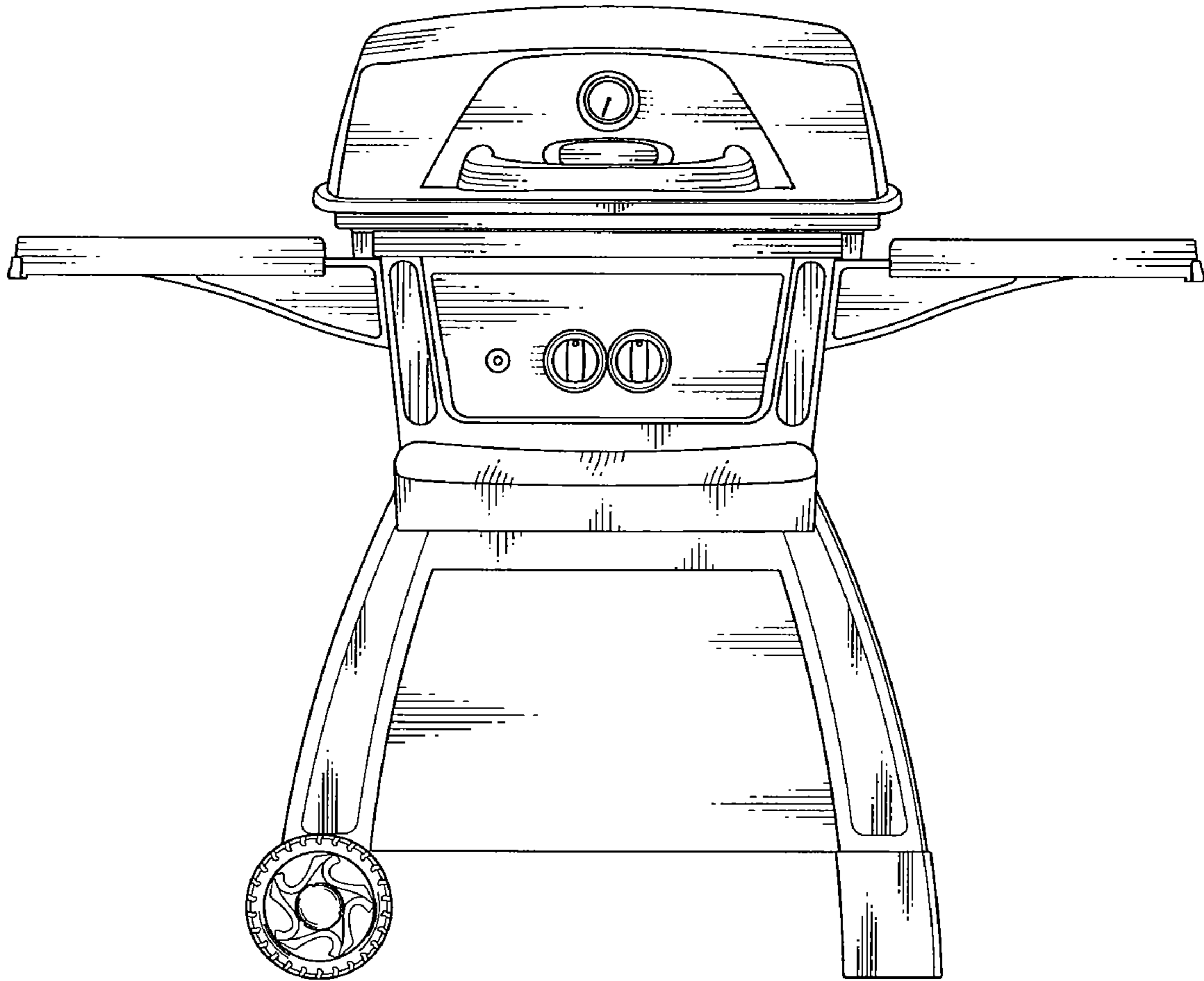


FIG. 2

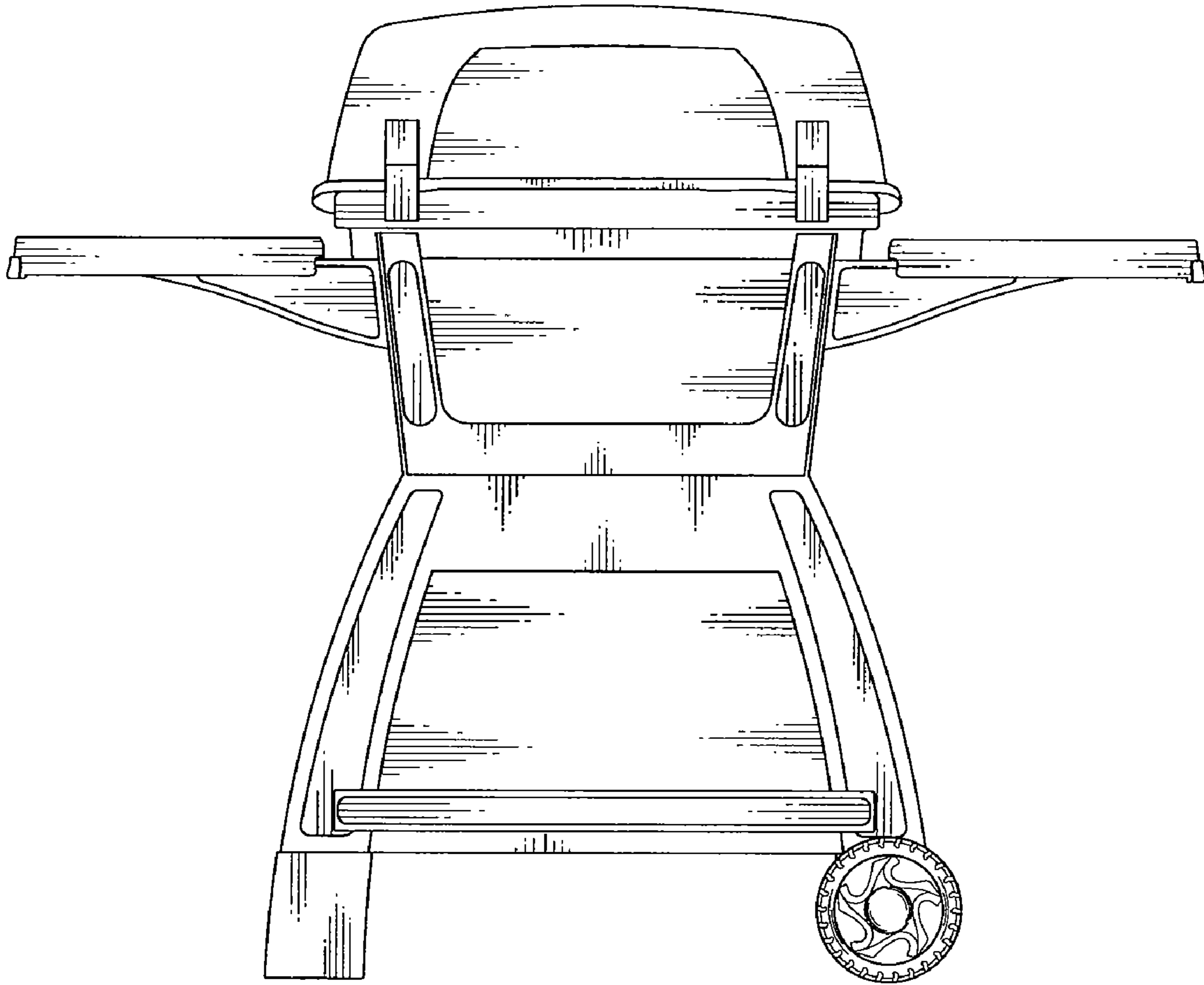


FIG.3

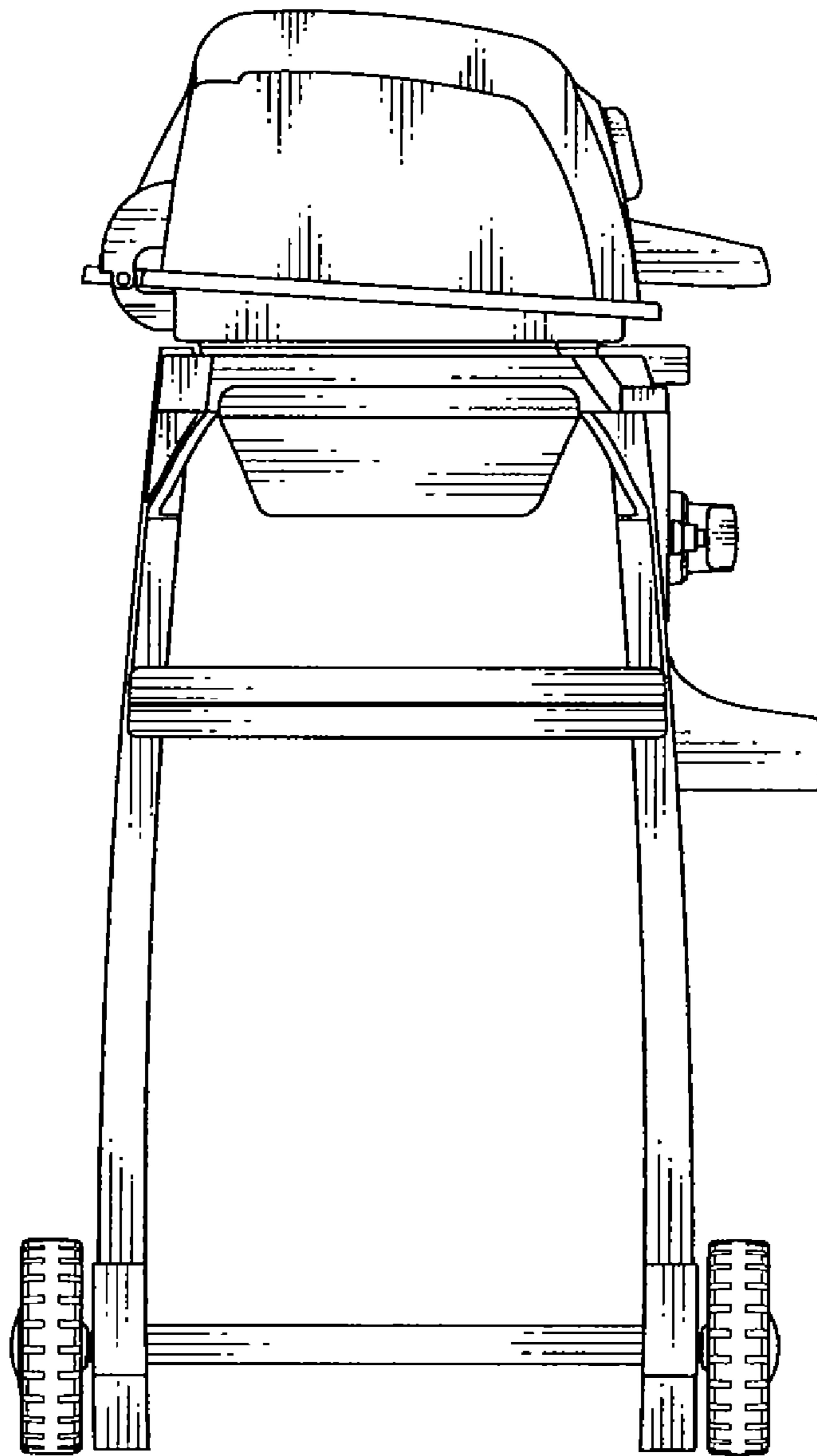


FIG.4

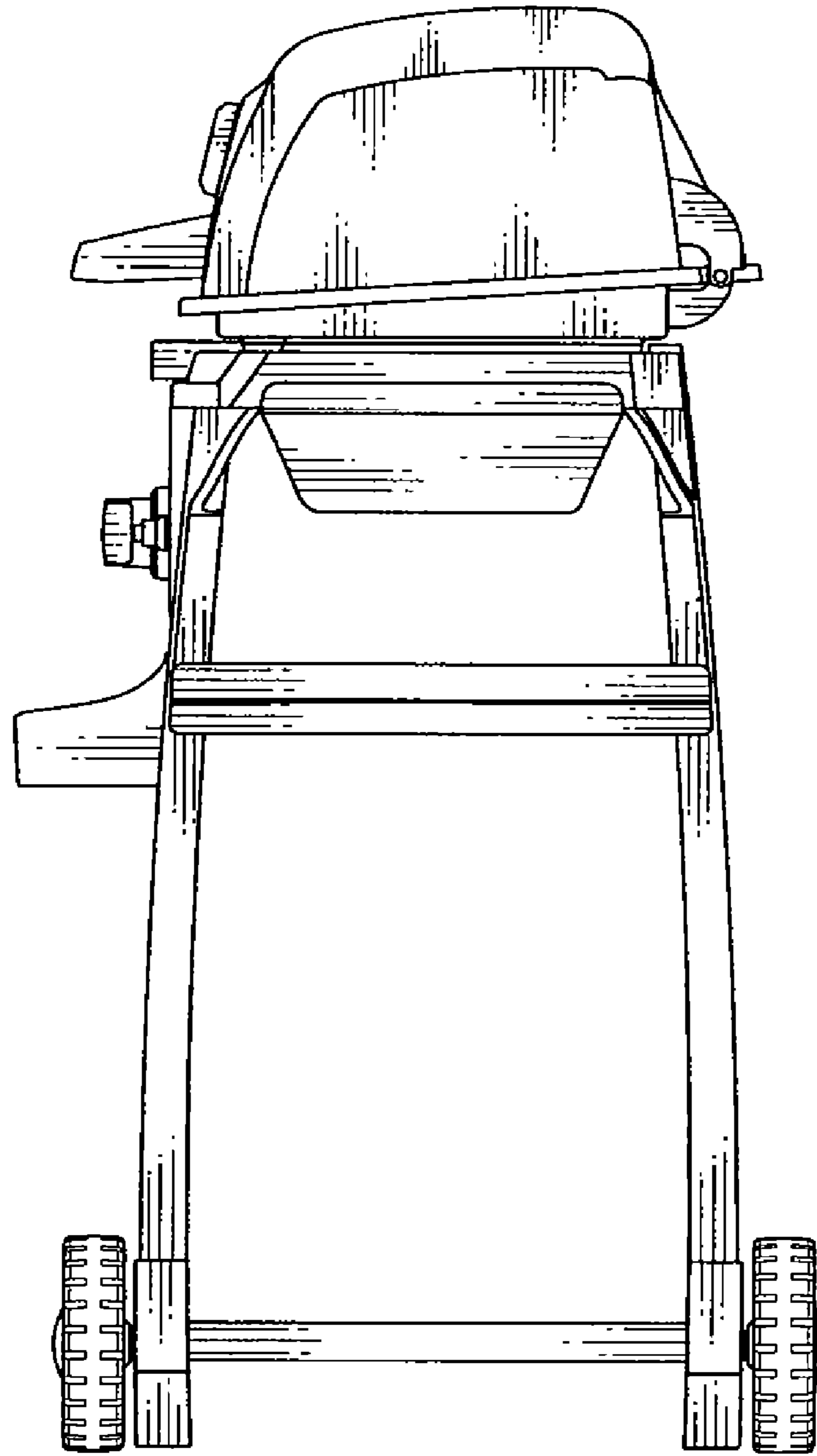


FIG. 5

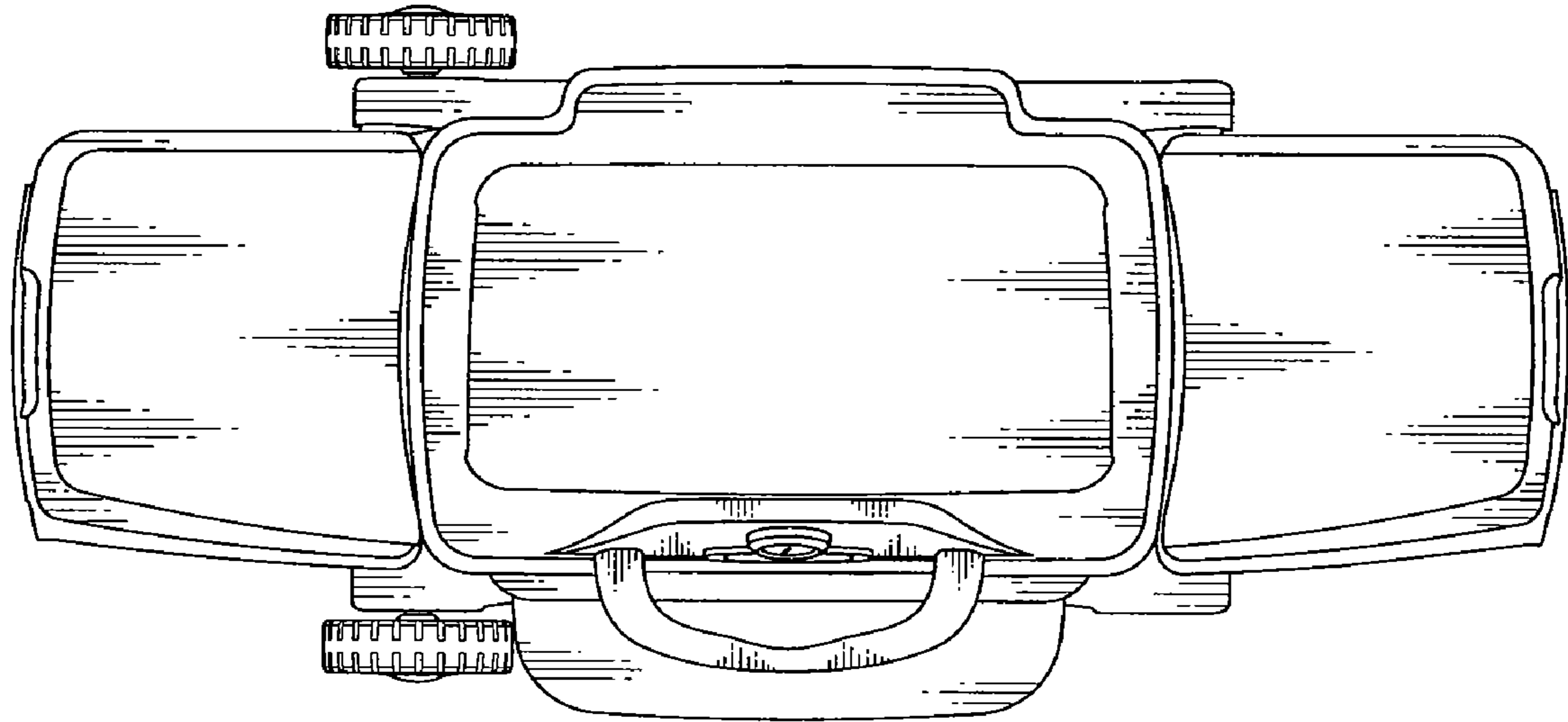


FIG. 6

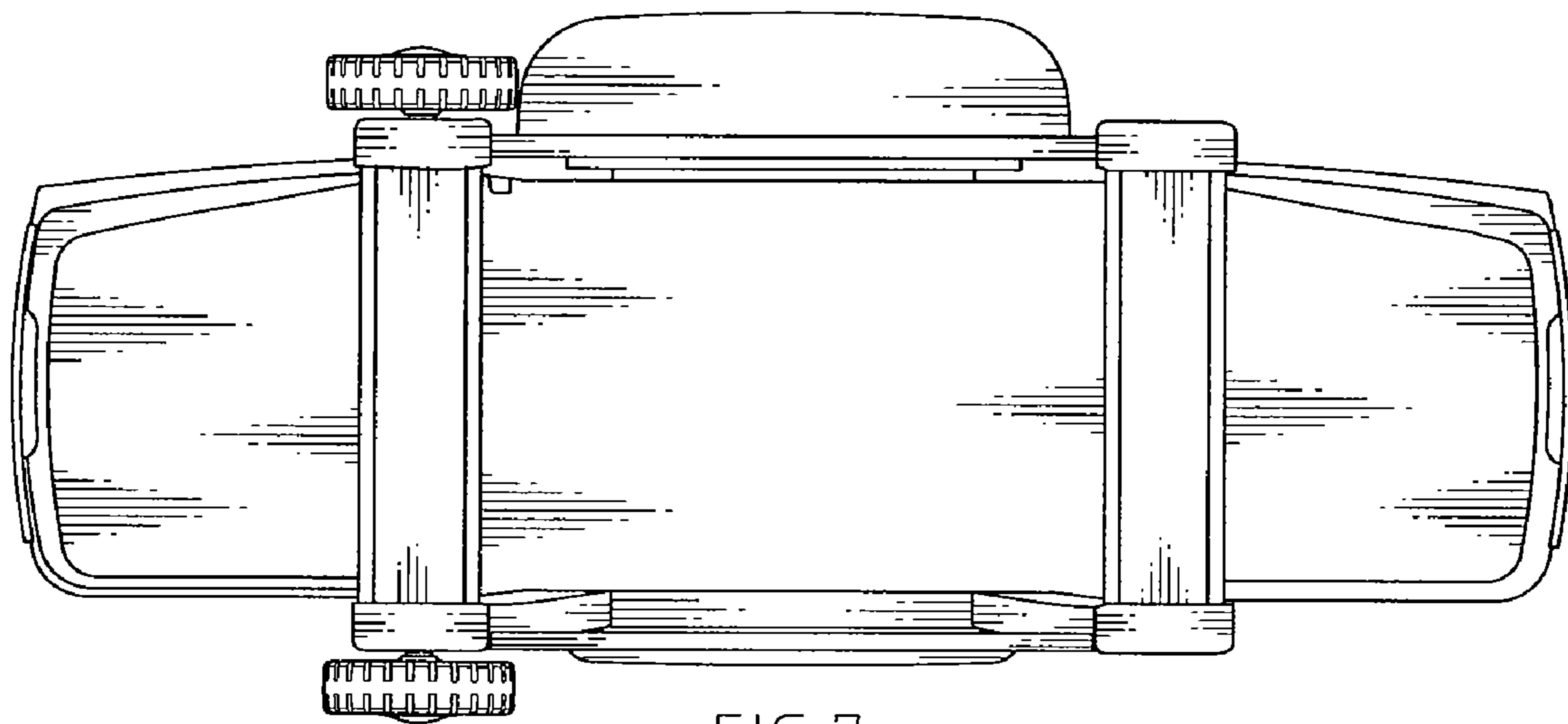


FIG. 7