

US00D608576S

(12) **United States Design Patent**
Goodman et al.

(10) **Patent No.:** **US D608,576 S**
(45) **Date of Patent:** **** Jan. 26, 2010**

(54) **PAPER TOWEL HOLDER**

(75) Inventors: **Sheldon H. Goodman**, Solon, OH (US);
Omer I. Sazir, Cleveland, OH (US);
Elizabeth A. Cho, Strongsville, OH (US)

(73) Assignee: **Spectrum Diversified Designs, Inc.**,
Streetsboro, OH (US)

(**) Term: **14 Years**

(21) Appl. No.: **29/340,226**

(22) Filed: **Jul. 15, 2009**

(51) **LOC (9) Cl.** **23-02**

(52) **U.S. Cl.** **D6/522**

(58) **Field of Classification Search** D6/518–524,
D6/546–550; 108/28–29; 211/13.1, 16,
211/60.1, 86.01, 87.01, 88.01, 88.04, 100,
211/105.1, 105.2, 123, 181.1, 182; 248/175,
248/176.1, 251, 302; 16/110.1, 415; 242/570,
242/590, 595–598; D8/300, 303, 315–321
See application file for complete search history.

(56) **References Cited**

U.S. PATENT DOCUMENTS

D264,406 S *	5/1982	Arnott	D6/522
4,771,966 A *	9/1988	Anderson	242/596
D326,580 S *	6/1992	Brazis	D6/522
D426,992 S *	6/2000	Walker	D6/522
D448,224 S *	9/2001	Voyer	D6/523
D578,813 S *	10/2008	Goodman et al.	D6/522

* cited by examiner

Primary Examiner—Brian N Vinson

(74) *Attorney, Agent, or Firm*—Pearne & Gordon LLP

(57) **CLAIM**

The ornamental design for a paper towel holder, as shown and described.

DESCRIPTION

FIG. 1 is a top, front, and right side perspective view of a first embodiment of a paper towel holder showing our new design; FIG. 2 is a top plan view of the right side thereof; the top of the left side being a mirror image of that shown;

FIG. 3 is a front elevational view of the right side thereof; the front elevational view of the left side being a mirror image of that shown;

FIG. 4 is a right side elevational view thereof, the left side being a mirror image of that shown;

FIG. 5 is a rear elevational view of the right side thereof; the rear elevational view of the right side being a mirror image of that shown;

FIG. 6 is a left side elevational view of the right side thereof; the right side elevational view of the left side being a mirror image of that shown;

FIG. 7 is a top, front, and right side perspective view of a second embodiment of a paper towel holder showing our new design;

FIG. 8 is a top plan view thereof;

FIG. 9 is a front elevational view thereof;

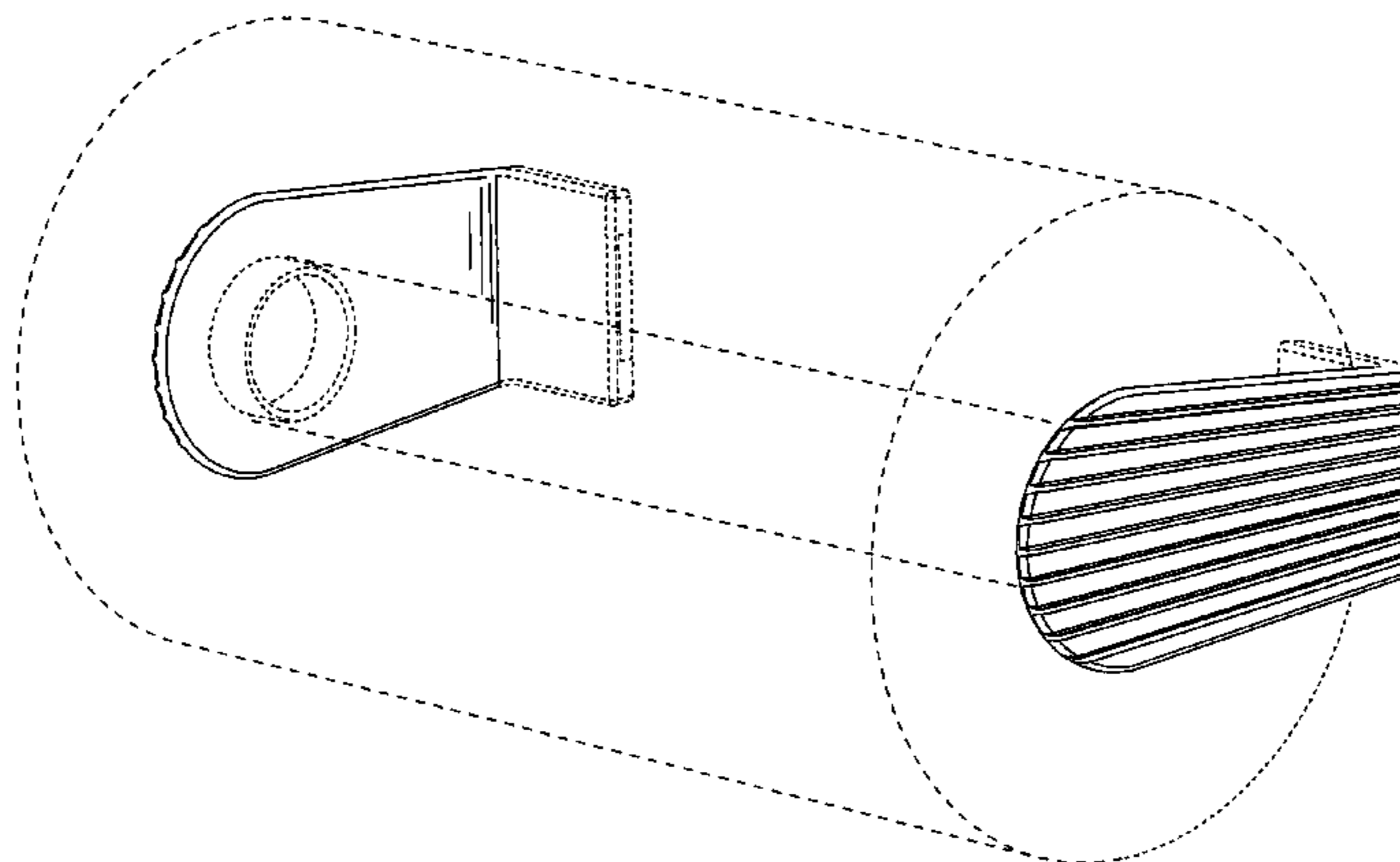
FIG. 10 is a bottom plan view thereof;

FIG. 11 is a rear elevational view thereof; and,

FIG. 12 is a right side elevational view thereof, the left side being a mirror image of that shown.

The broken-line disclosure of a paper toll roll in the views is for illustrative purposes only and forms no part of the claimed design, while the remaining broken-line disclosure is understood to illustrate portions of the article in which the claimed design is embodied, but which forms no part of the claimed design. Broken-lines adjacent to claimed surfaces are understood to represent an unclaimed boundary between claimed and unclaimed surfaces.

1 Claim, 5 Drawing Sheets



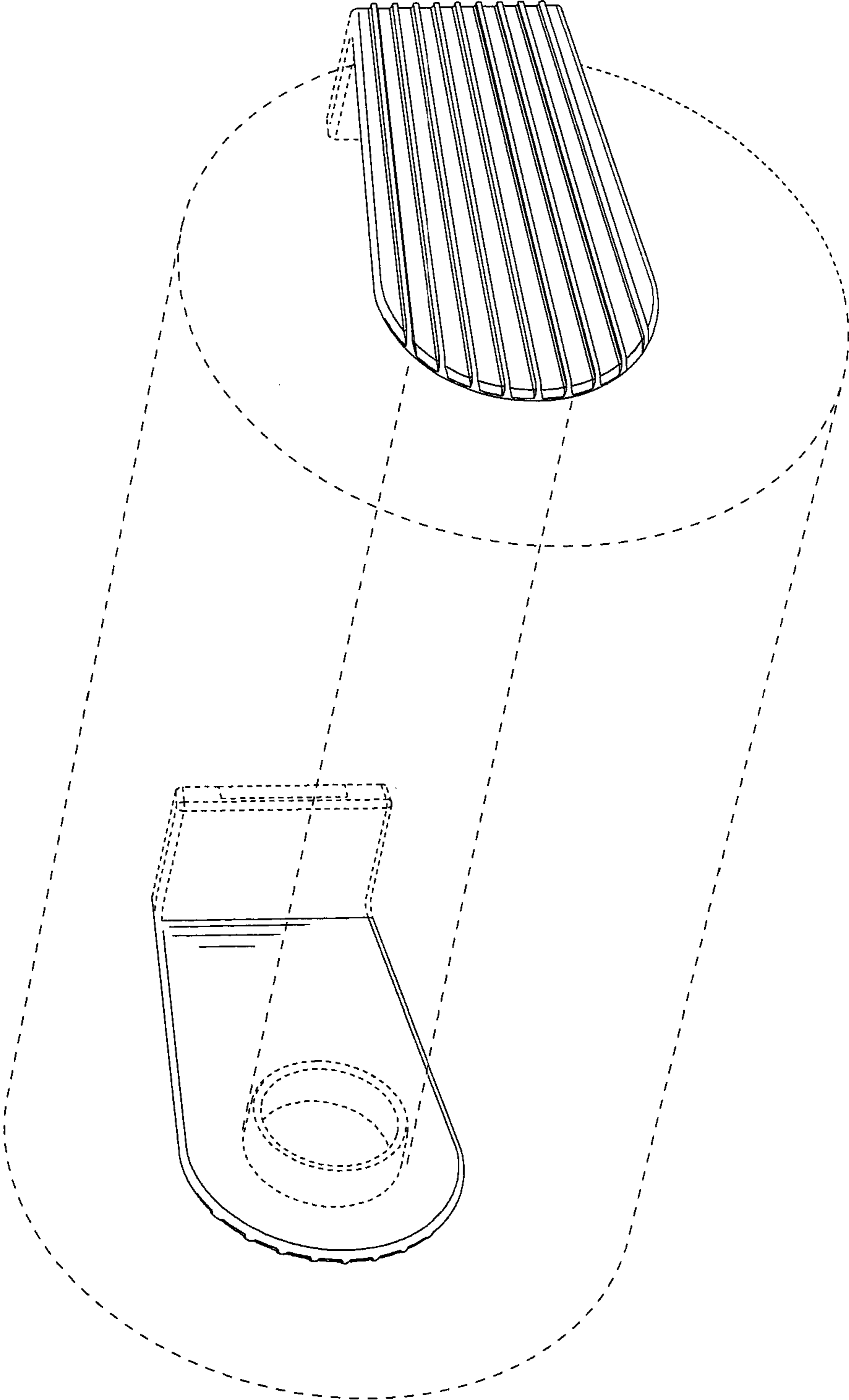


FIG. 1

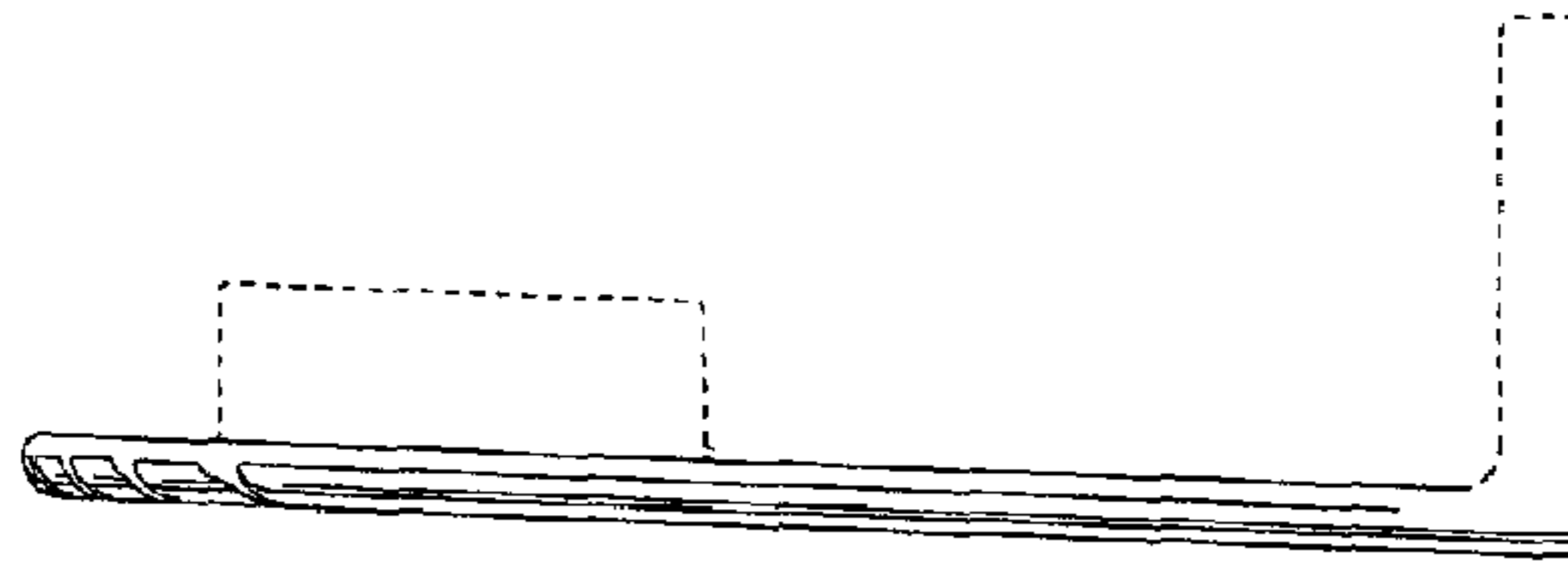


FIG. 2

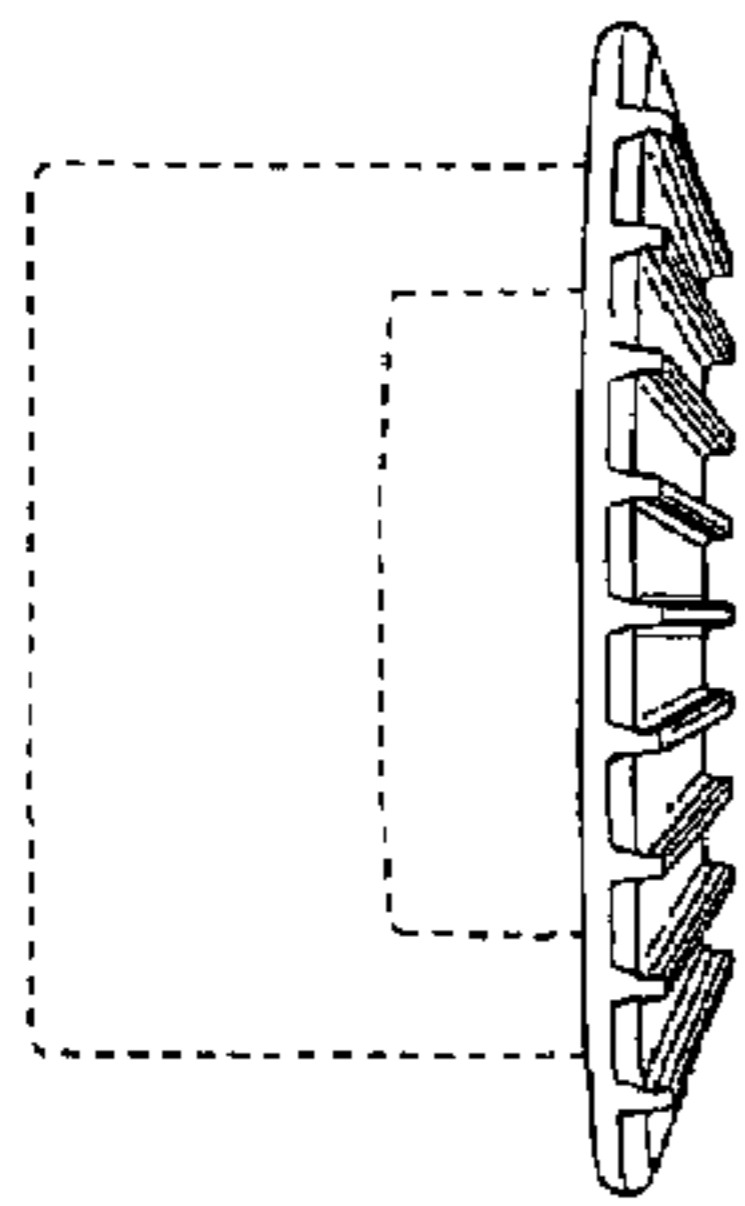


FIG. 3

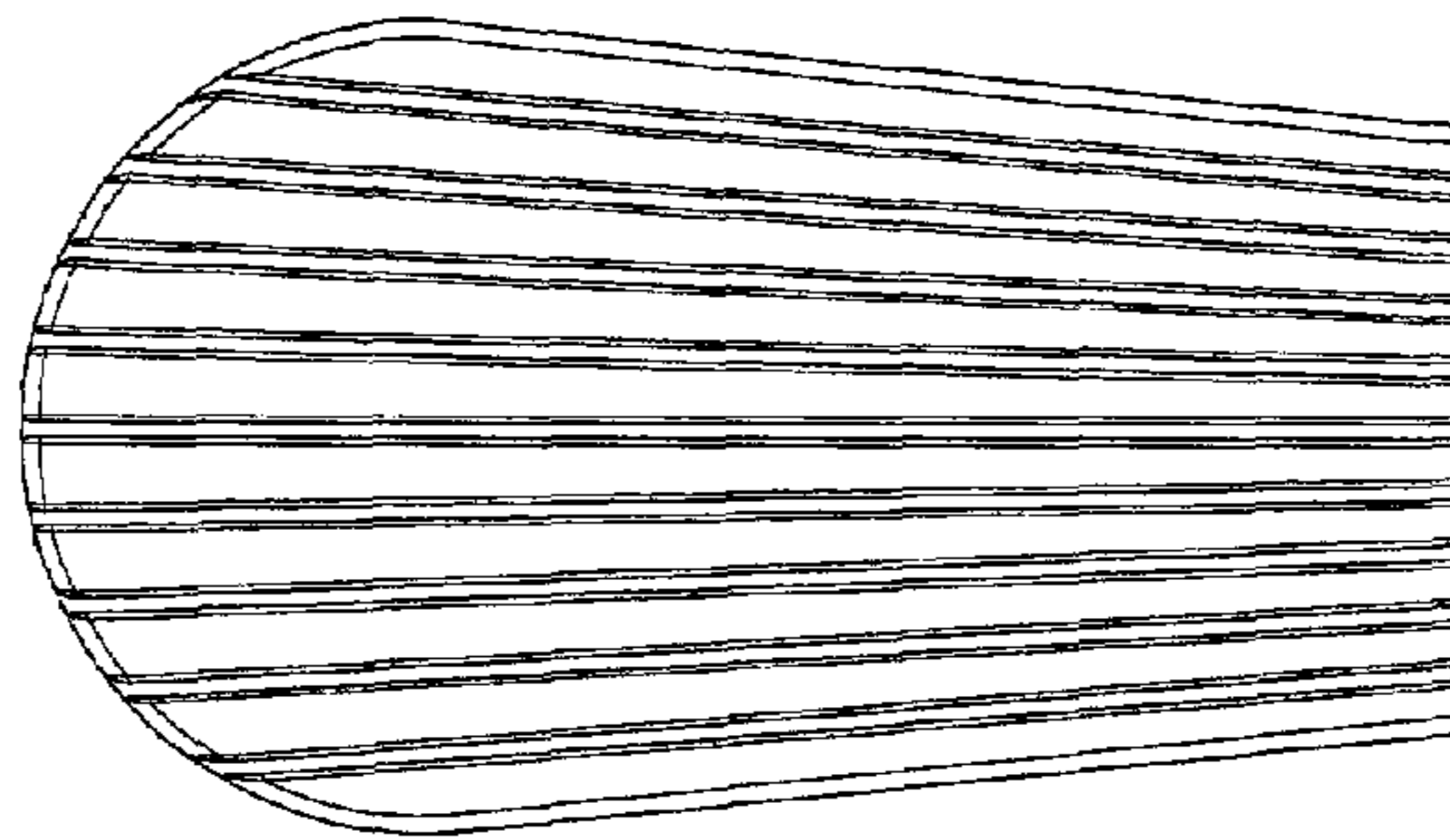


FIG. 4

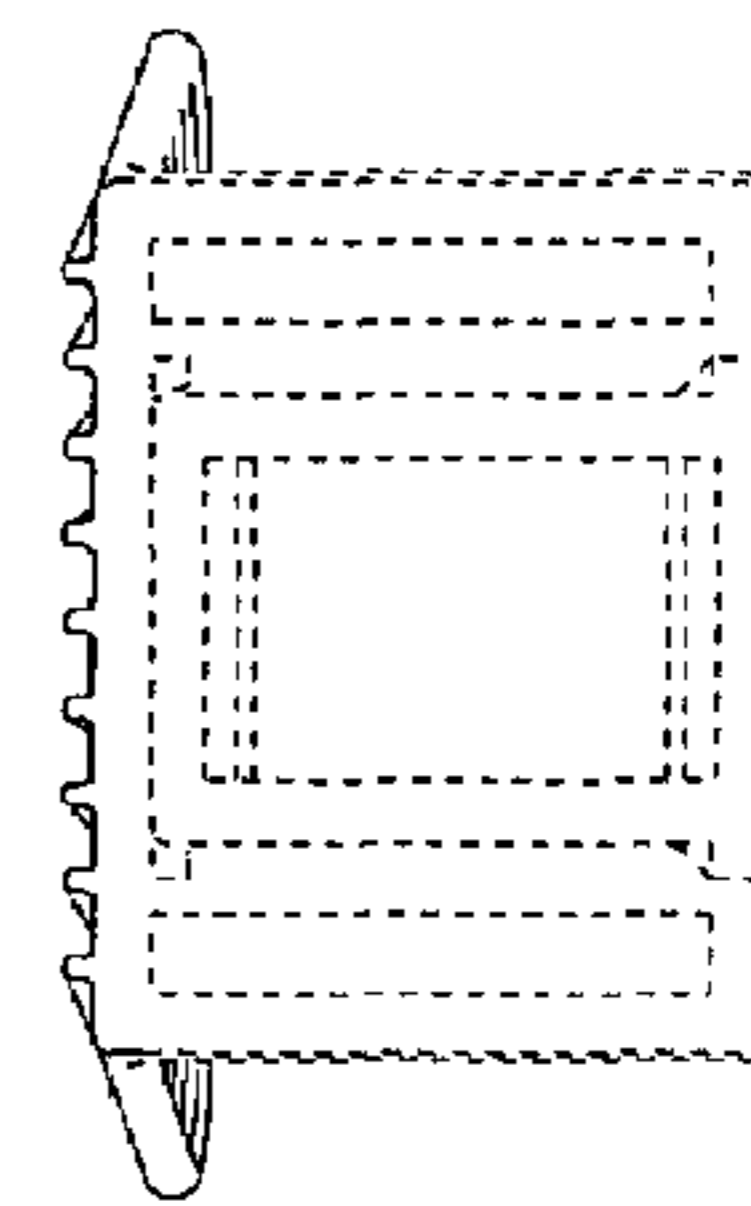


FIG. 5

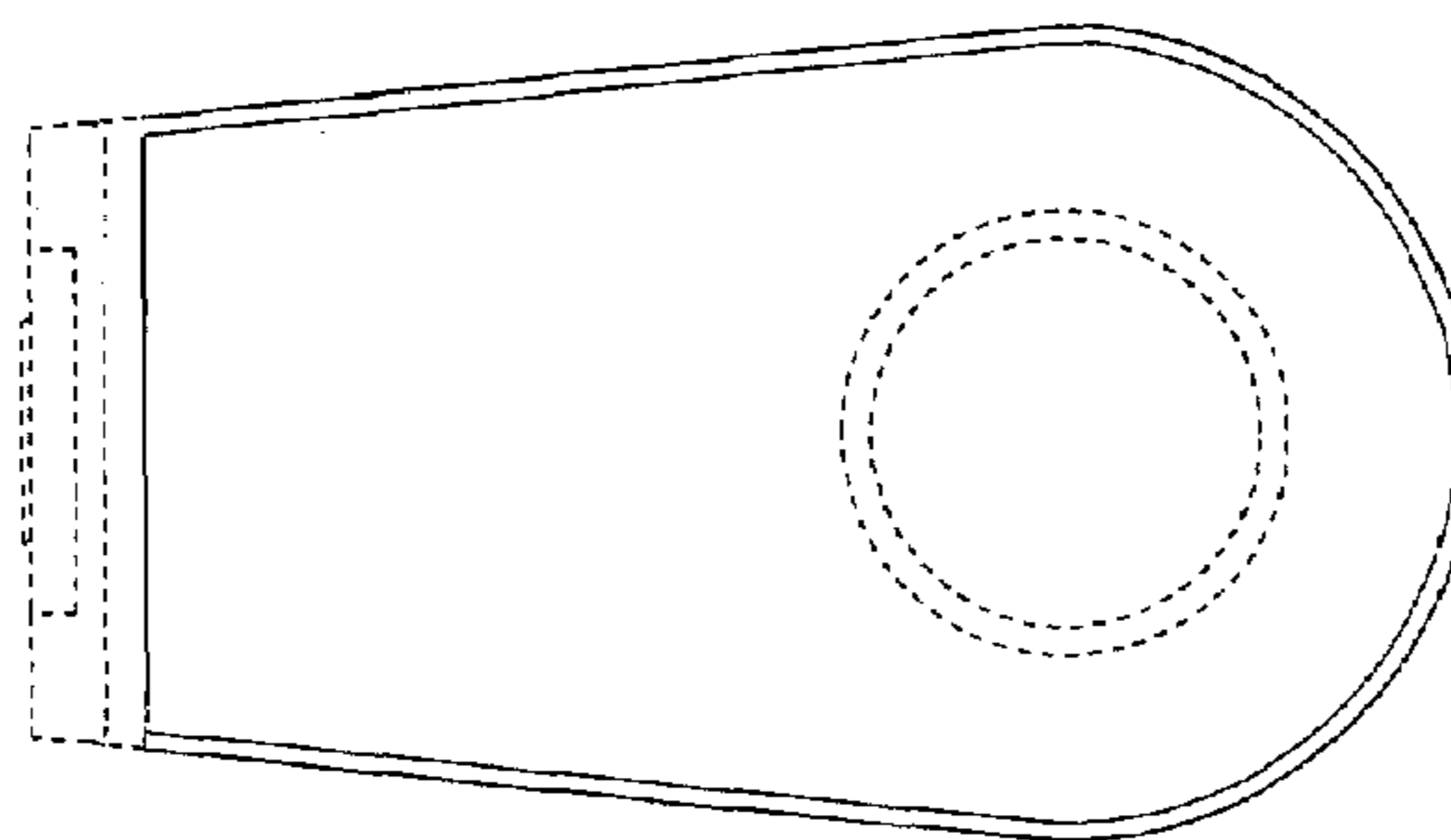


FIG. 6

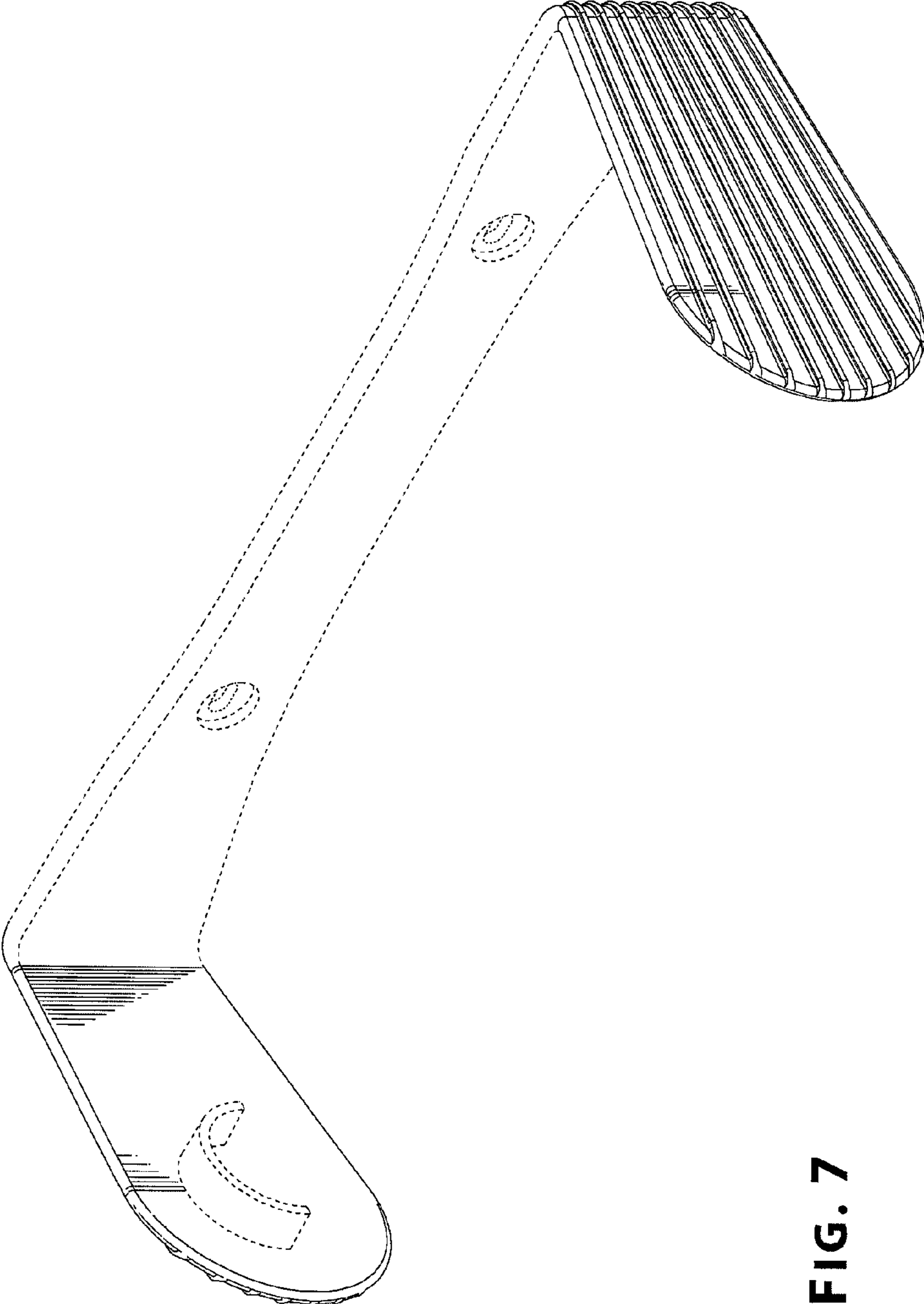


FIG. 7

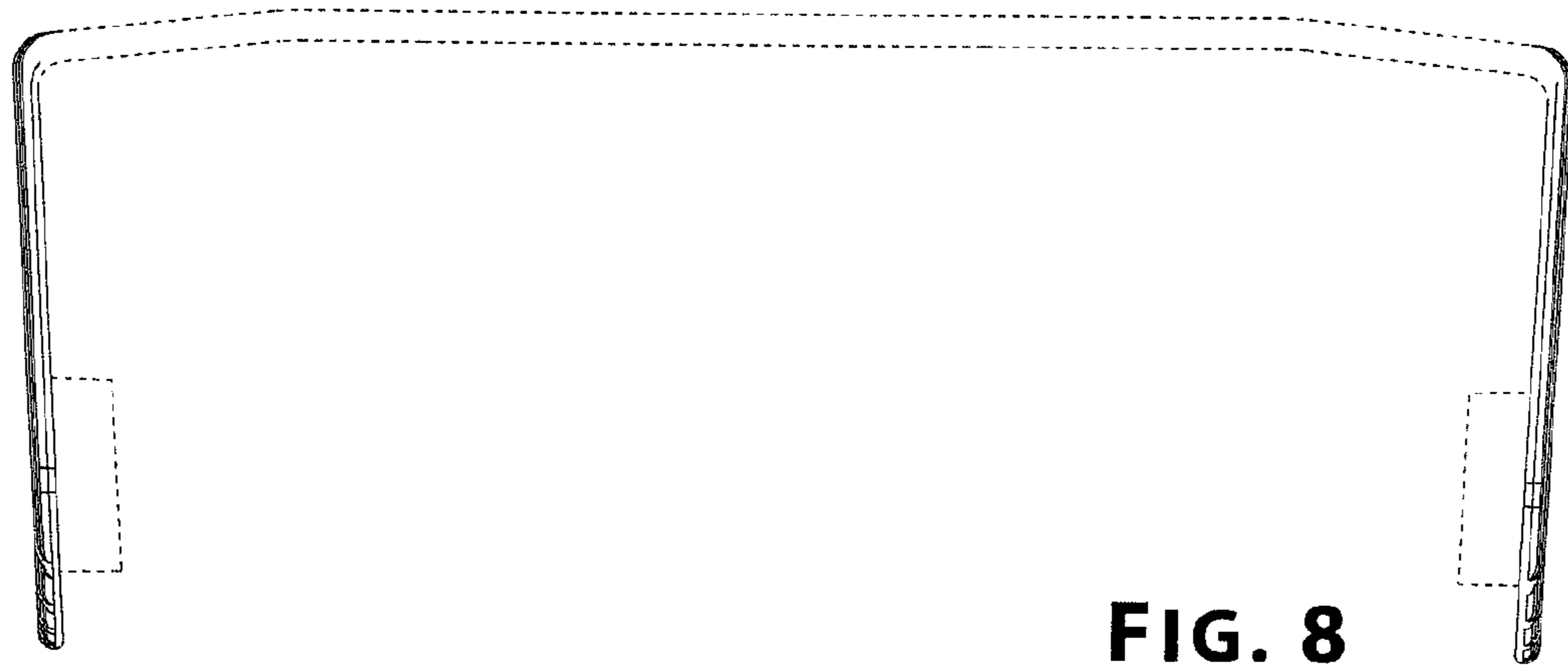


FIG. 8

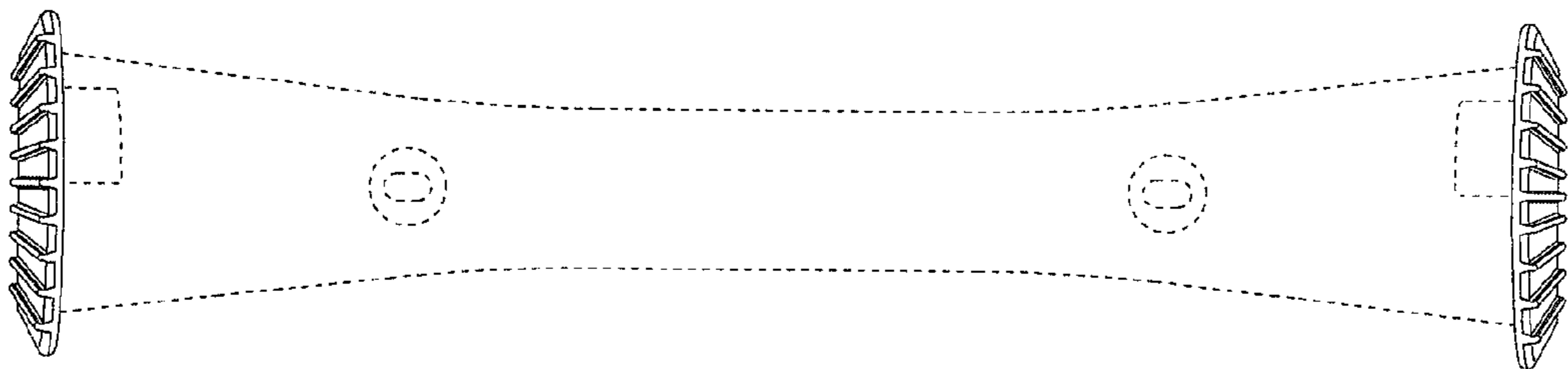


FIG. 9

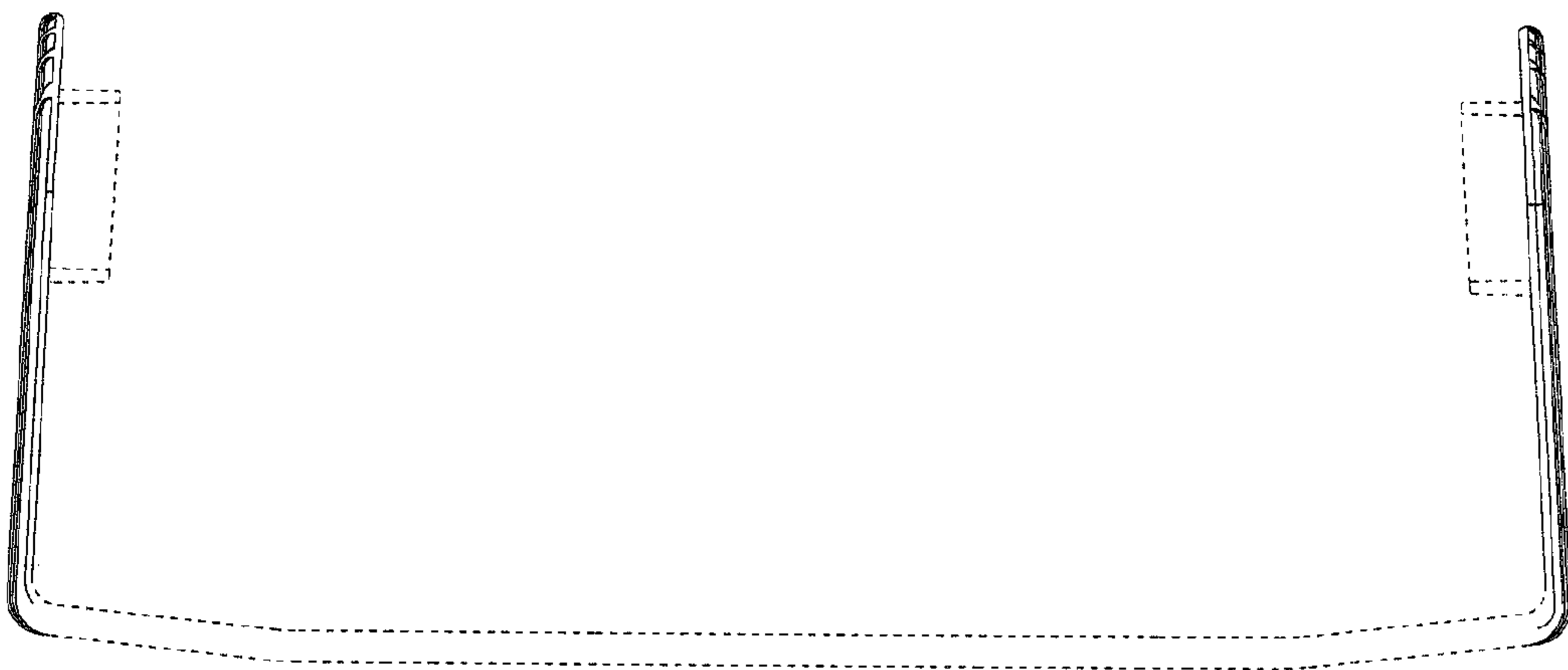


FIG. 10

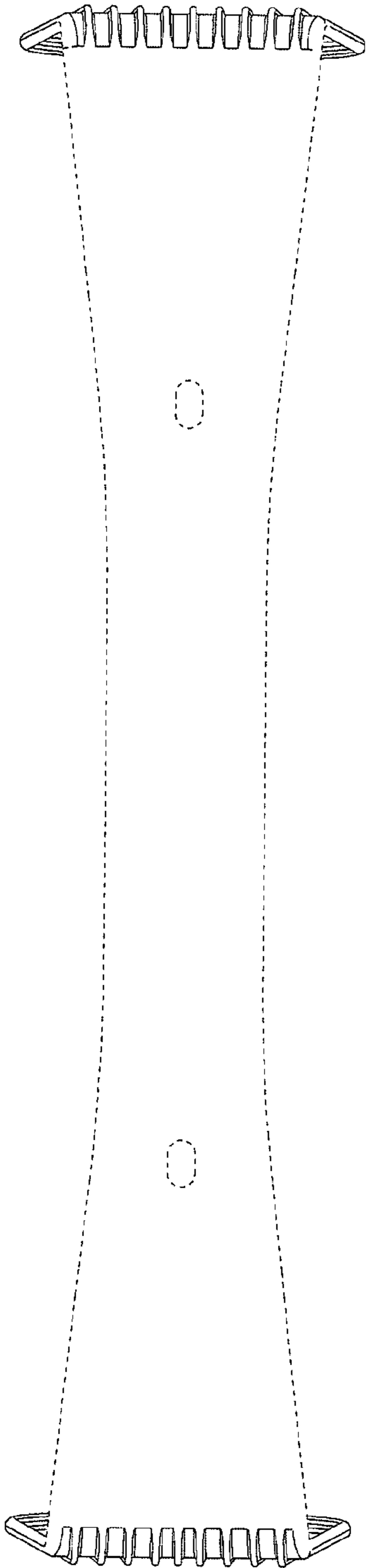


FIG. 11

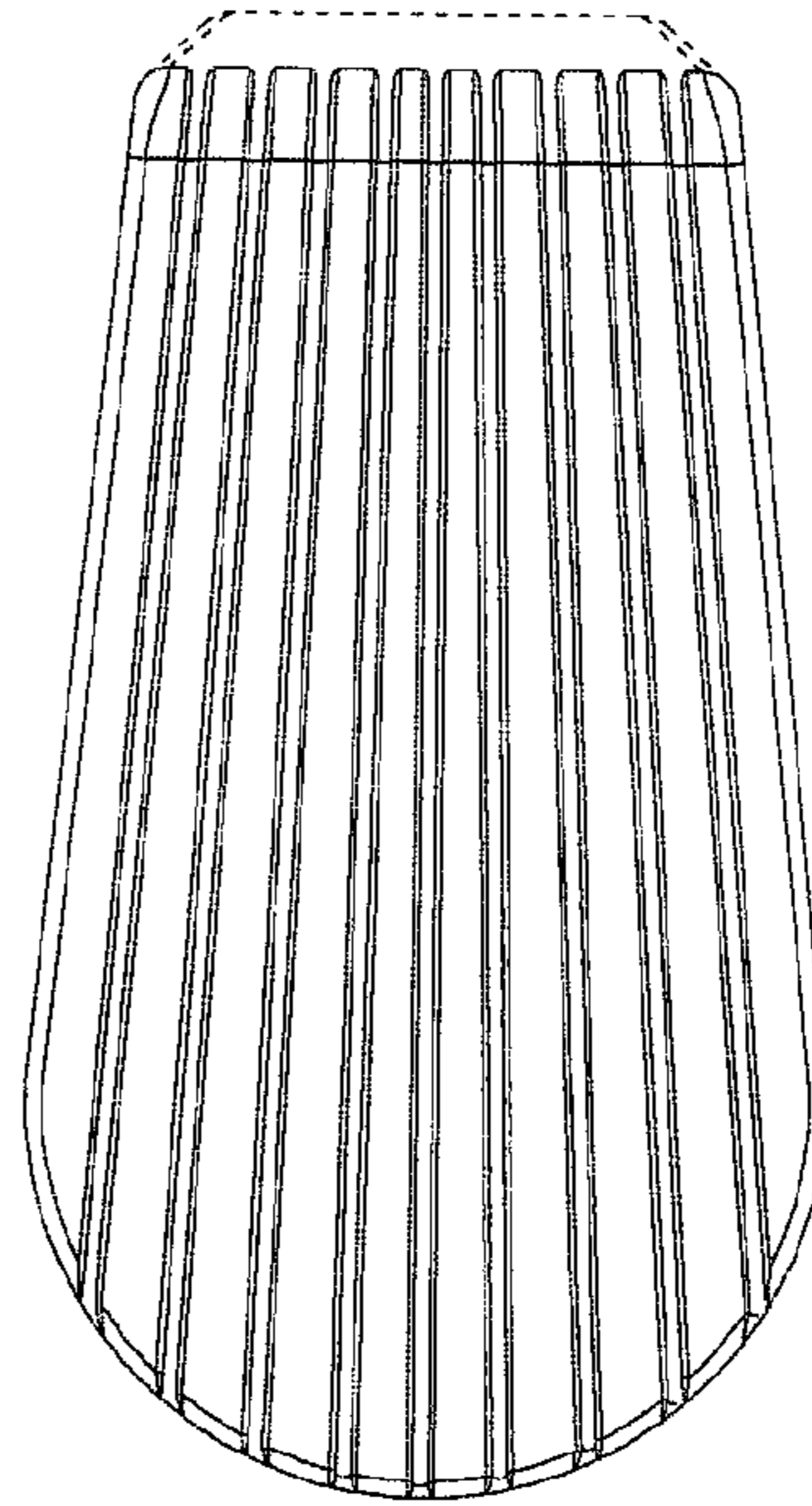


FIG. 12