

US00D608575S

(12) **United States Design Patent**
Johnson et al.

(10) **Patent No.:** **US D608,575 S**
(45) **Date of Patent:** **** Jan. 26, 2010**

- (54) **GRAVITY FEED DISPENSER DISPLAY** 4,200,220 A 4/1980 Ganz
- (75) Inventors: **Terry J. Johnson**, Chicago, IL (US); 4,228,903 A 10/1980 Eckert
John Schoemer, Elk Grove Village, IL
(US); **Travis O. Johnson**, Chicago, IL 4,274,580 A 6/1981 Arnold
(US) 4,356,923 A 11/1982 Young et al.
4,426,008 A 1/1984 Olson et al.
- (73) Assignee: **Gamon Plus, Inc.**, Elk Grove, IL (US) 4,456,147 A 6/1984 Tominaga
4,474,297 A 10/1984 Zucker
- (**) Term: **14 Years** 4,598,828 A 7/1986 Young et al.
D290,790 S 7/1987 Nathan et al.
- (21) Appl. No.: **29/339,359** 4,823,984 A 4/1989 Ficken
4,974,771 A 12/1990 Lavery
- (22) Filed: **Jun. 29, 2009**

Related U.S. Application Data

(60) Continuation of application No. 29/332,015, filed on Feb. 6, 2009, now Pat. No. Des. 595,074, which is a division of application No. 29/318,303, filed on May 16, 2008, now Pat. No. Des. 588,386, which is a continuation of application No. 11/164,784, filed on Dec. 6, 2005, which is a continuation-in-part of application No. 11/255,271, filed on Oct. 21, 2005, now abandoned, which is a division of application No. 10/600,387, filed on Jun. 20, 2003, now Pat. No. 6,991,116.

(Continued)

OTHER PUBLICATIONS

P.O.P. & Sign Design regarding Welch's Juice Makers, Mar./Apr. 1997, p. 61.

(Continued)

Primary Examiner—Brian N Vinson
(74) *Attorney, Agent, or Firm*—Saidman DesignLaw Group

- (51) **LOC (9) Cl.** **20-02**
- (52) **U.S. Cl.** **D6/515**
- (58) **Field of Classification Search** D6/515–524;
206/389, 391; 211/13.1, 16, 44, 49.1, 50,
211/59.2, 86.01; 222/173, 181.1; 221/283;
312/34, 34.8, 34.22, 309.1

(57) **CLAIM**

The ornamental design for a gravity feed dispenser display, as shown and described.

See application file for complete search history.

(56) **References Cited**

DESCRIPTION

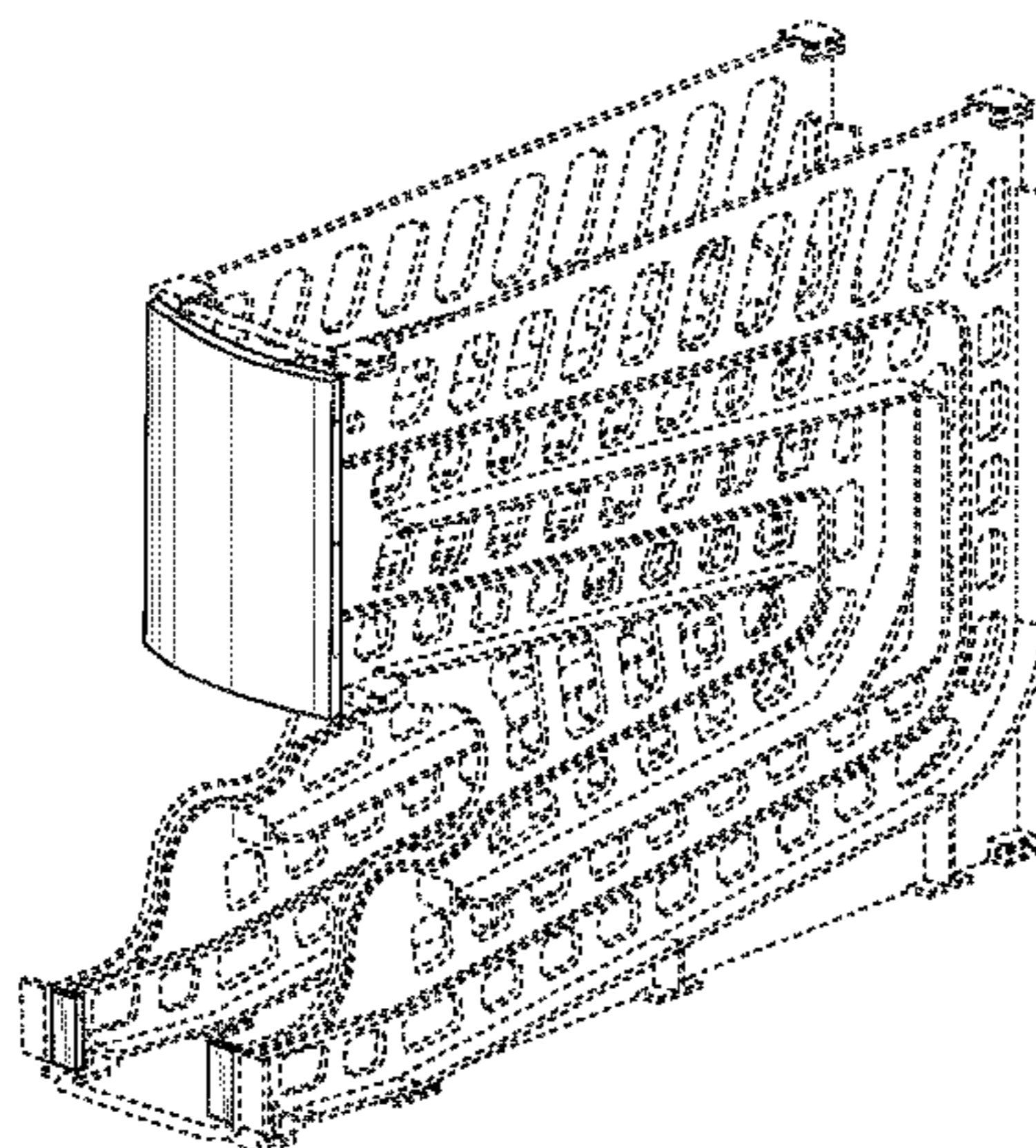
U.S. PATENT DOCUMENTS

- 2,382,191 A 8/1945 Weichselbaum
- 2,443,871 A 6/1948 Shield
- 2,852,327 A 9/1958 Mason
- 2,888,145 A 5/1959 Knott et al.
- 2,996,344 A 8/1961 Garman et al.
- 3,784,022 A 1/1974 Beesley
- 3,942,631 A 3/1976 Sutherland et al.
- 4,105,126 A 8/1978 Deffner et al.

The sole FIGURE is a perspective view of a gravity feed dispenser display showing our new design.

The broken-line disclosure in the view is understood to be part of the article in which the claimed design is embodied, but which forms no part of the claimed design.

1 Claim, 1 Drawing Sheet



US D608,575 S

Page 2

U.S. PATENT DOCUMENTS

4,997,106 A 3/1991 Rockola
D342,420 S 12/1993 Ienna
5,289,943 A 3/1994 Powell
D354,181 S 1/1995 Smith et al.
D380,113 S 6/1997 Byrd
5,645,176 A 7/1997 Jay
5,806,712 A 9/1998 Siemsen et al.
D405,622 S 2/1999 Linz
D417,975 S 12/1999 Linz
D486,324 S * 2/2004 Mason D6/515
D499,590 S * 12/2004 Meredith D6/515
D499,914 S * 12/2004 Rimback D6/515

D509,689 S * 9/2005 Ho D6/515
6,991,116 B2 1/2006 Johnson
D563,127 S * 3/2008 Henry et al. D6/515
D572,057 S * 7/2008 Lledo D6/515

OTHER PUBLICATIONS

Photographs (5) of Gamon International's can dispenser display, 1997.
Serpentine Modular Gravity Feed Can Dispenser, www.displayand-design.com.au, Apr. 29, 2004, Display&Design International. Pty. Ltd.

* cited by examiner

