

US00D608574S

(12) **United States Design Patent**
Goodman et al.

(10) **Patent No.:** **US D608,574 S**
(45) **Date of Patent:** **** Jan. 26, 2010**

(54) **OVER-THE-DRAWER/CABINET BASKET**

D412,080 S * 7/1999 Emery et al. D6/513
D579,700 S * 11/2008 Ghiorghie D6/513
D584,056 S * 1/2009 Ghiorghie D6/513

(75) Inventors: **Sheldon H. Goodman**, Solon, OH (US);
Omer I. Sazir, Cleveland, OH (US);
Patrick Triato, Tremont, OH (US)

* cited by examiner

(73) Assignee: **Spectrum Diversified Designs, Inc.**,
Streetsboro, OH (US)

Primary Examiner—Brian N Vinson
(74) *Attorney, Agent, or Firm*—Pearne & Gordon LLP

(**) Term: **14 Years**

(57) **CLAIM**

(21) Appl. No.: **29/341,403**

The ornamental design for an over-the-drawer/cabinet basket, as shown and described.

(22) Filed: **Aug. 5, 2009**

DESCRIPTION

(51) **LOC (9) Cl.** **06-06**

FIG. 1 is a perspective view of an over-the-drawer/cabinet basket showing our new design;

(52) **U.S. Cl.** **D6/513**

FIG. 2 is a top plan view thereof;

(58) **Field of Classification Search** D3/304,

FIG. 3 is a front elevational view thereof;

D3/306; 206/202, 513, 557; 211/13.1, 41.3,

FIG. 4 is a right side elevational view thereof, the left side elevational view being a mirror image;

211/41.4, 86.01, 88.01, 134, 126.1, 181.1;

FIG. 5 is a rear elevational view thereof; and,

248/302; 220/485, 488; D6/513, 553, 567

FIG. 6 is a bottom plan view thereof.

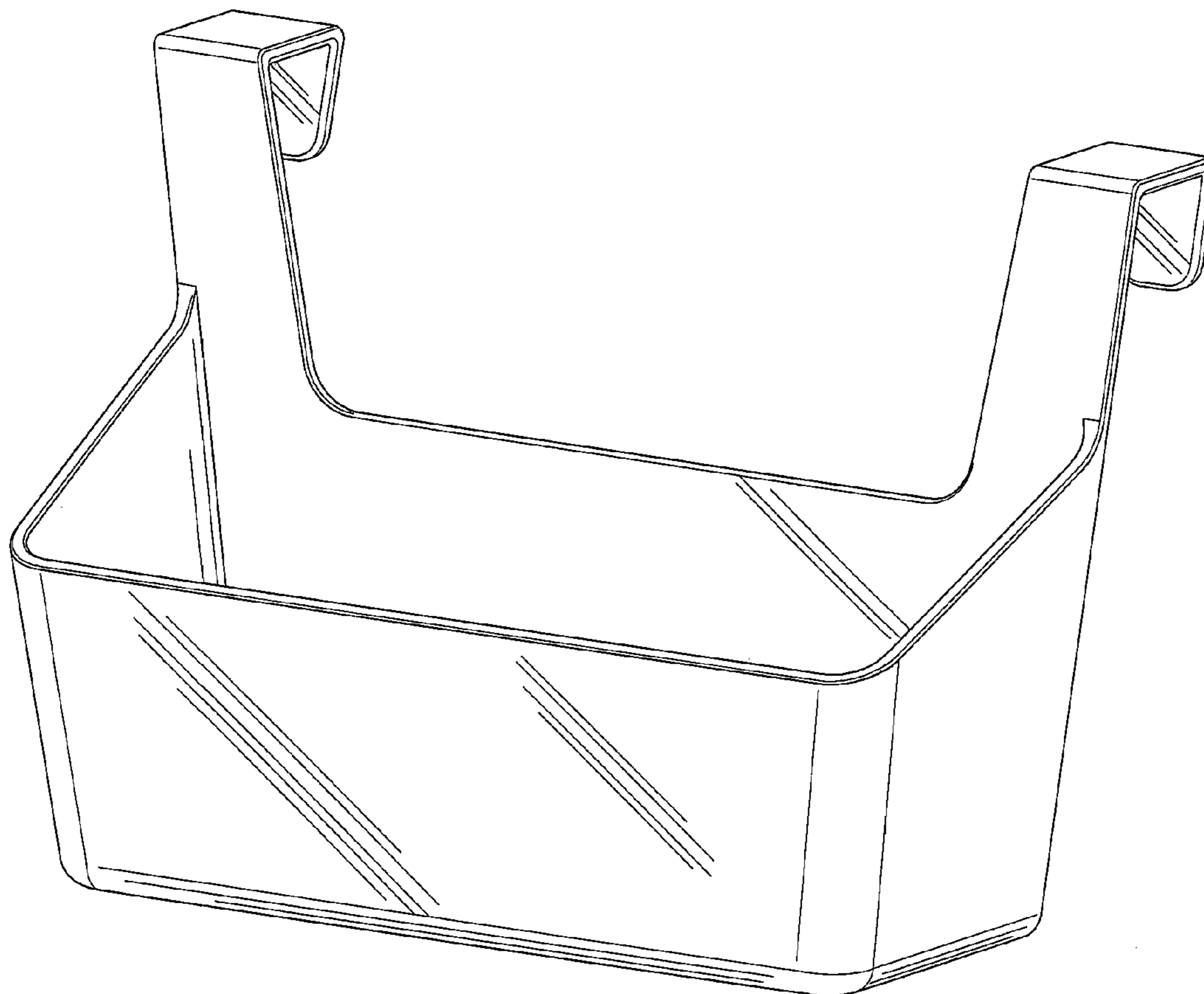
See application file for complete search history.

(56) **References Cited**

U.S. PATENT DOCUMENTS

1 Claim, 3 Drawing Sheets

D386,337 S * 11/1997 Zissu D6/513



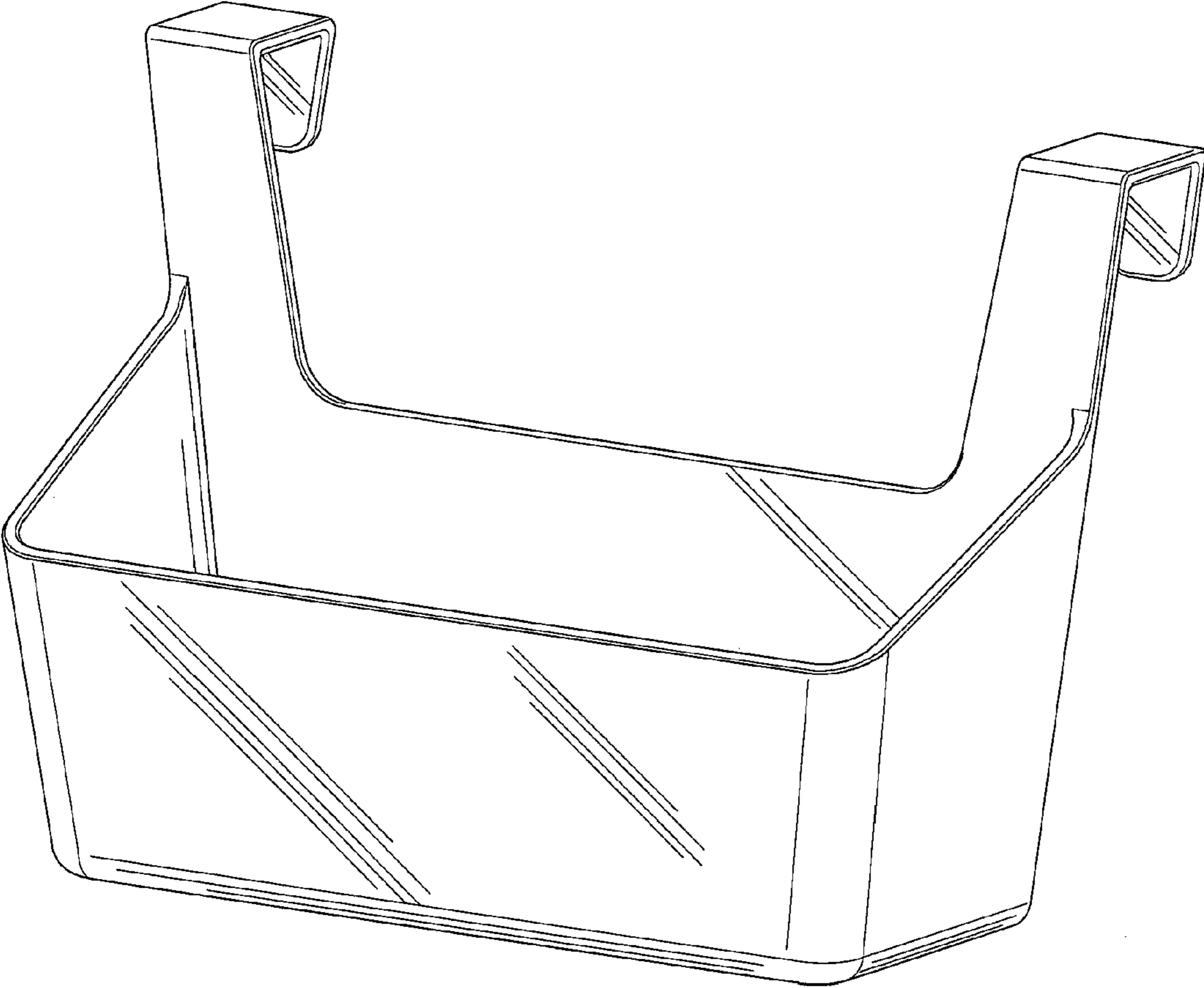


FIG. 1

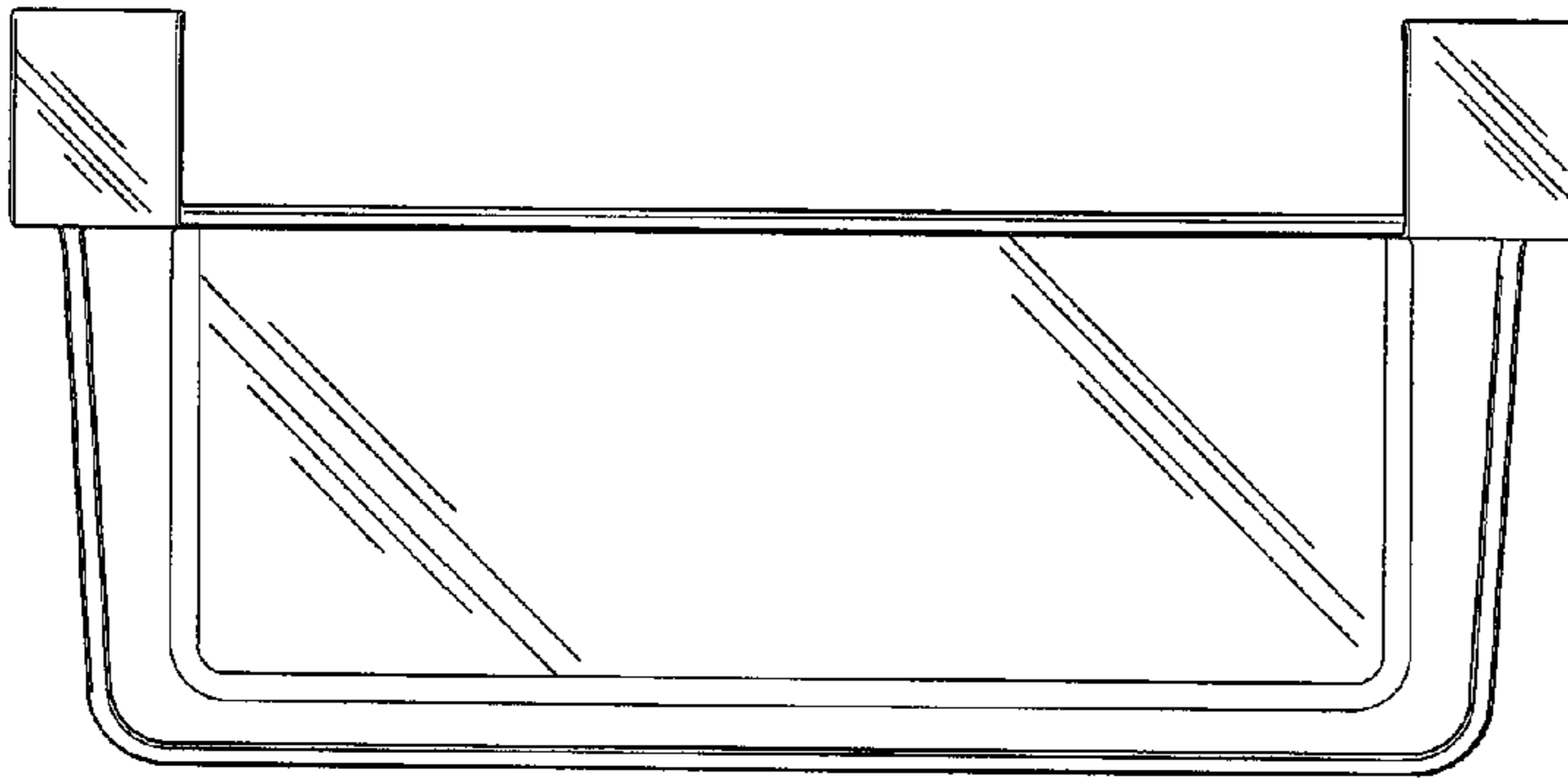


FIG. 2

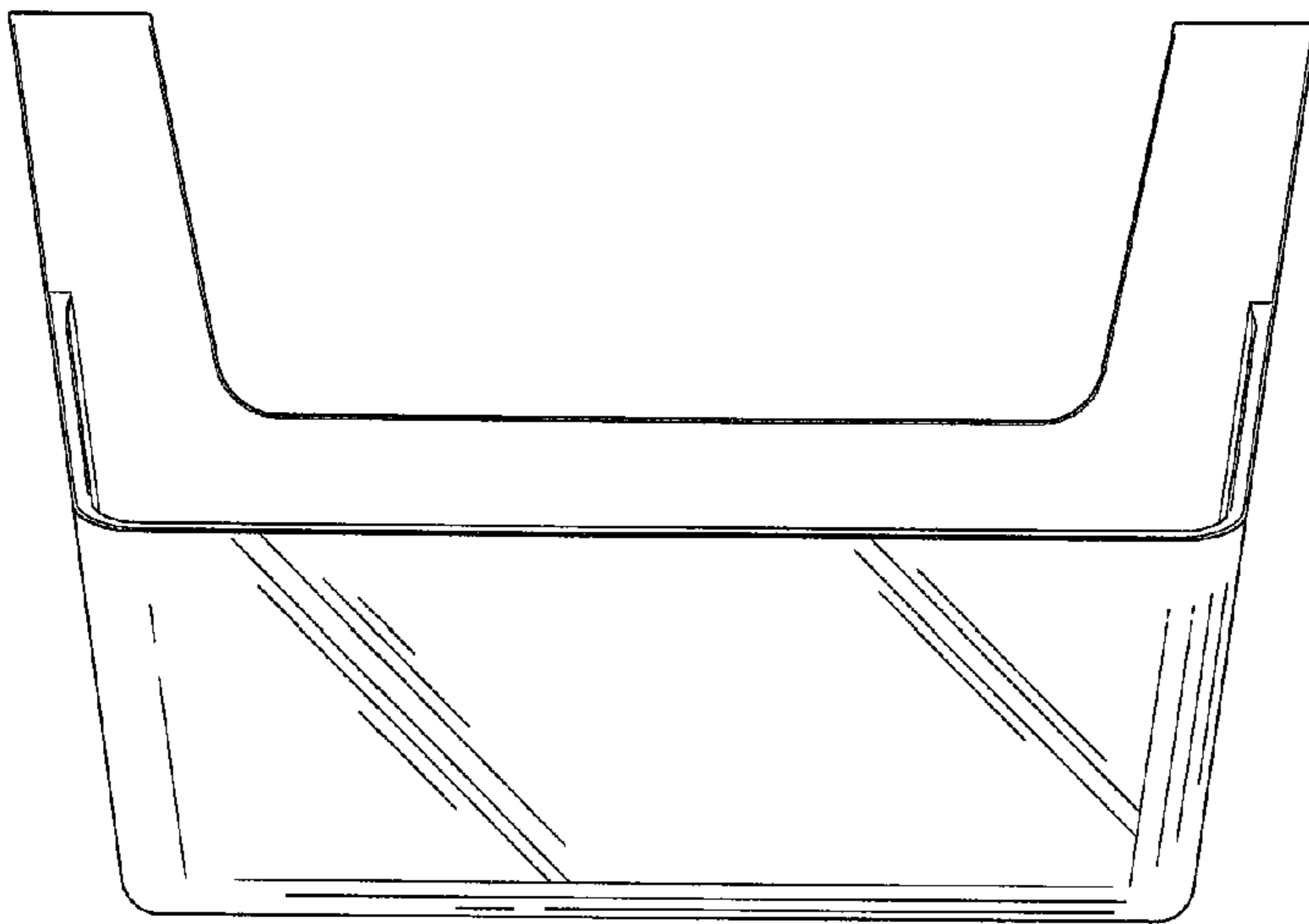


FIG. 3

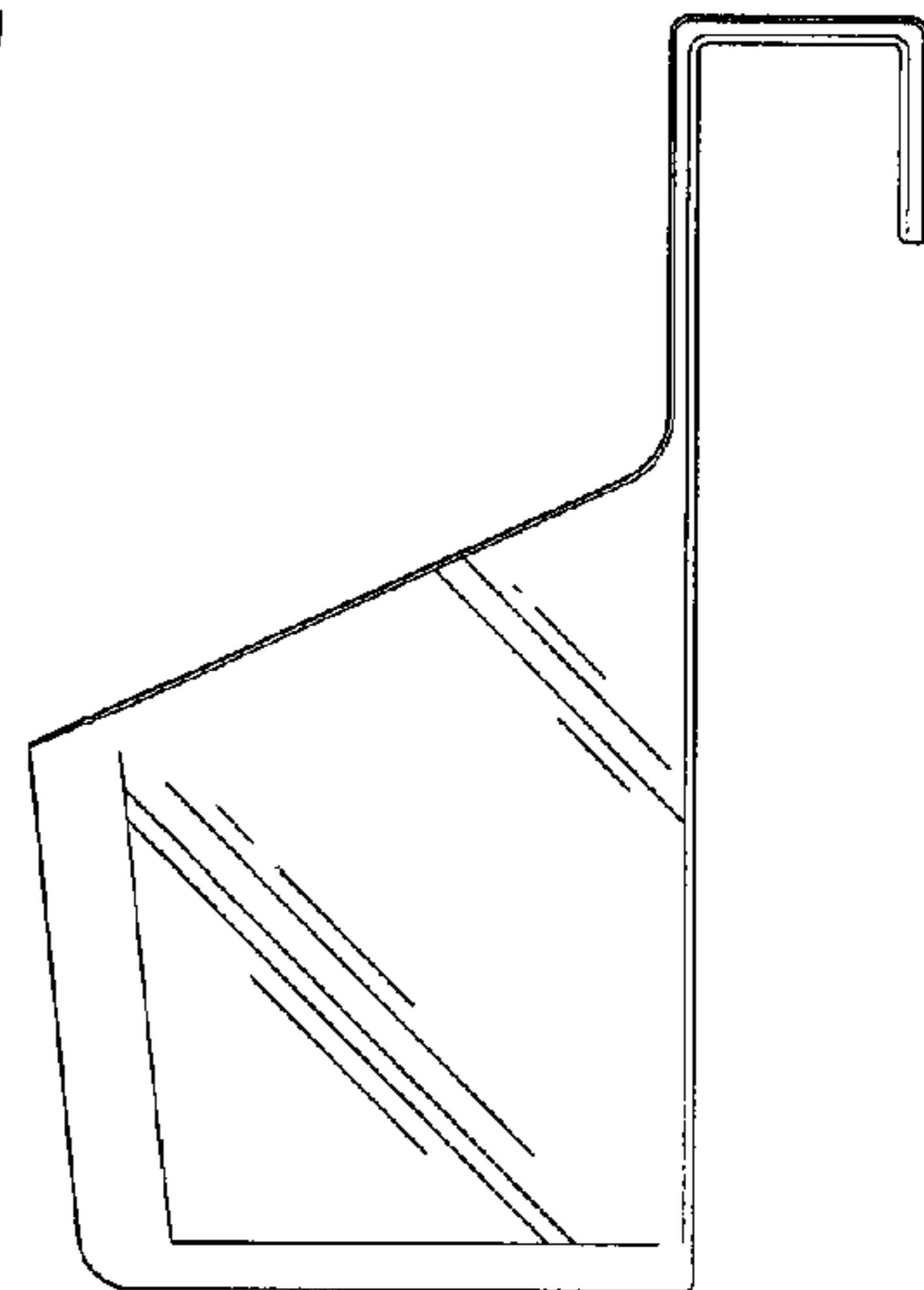


FIG. 4

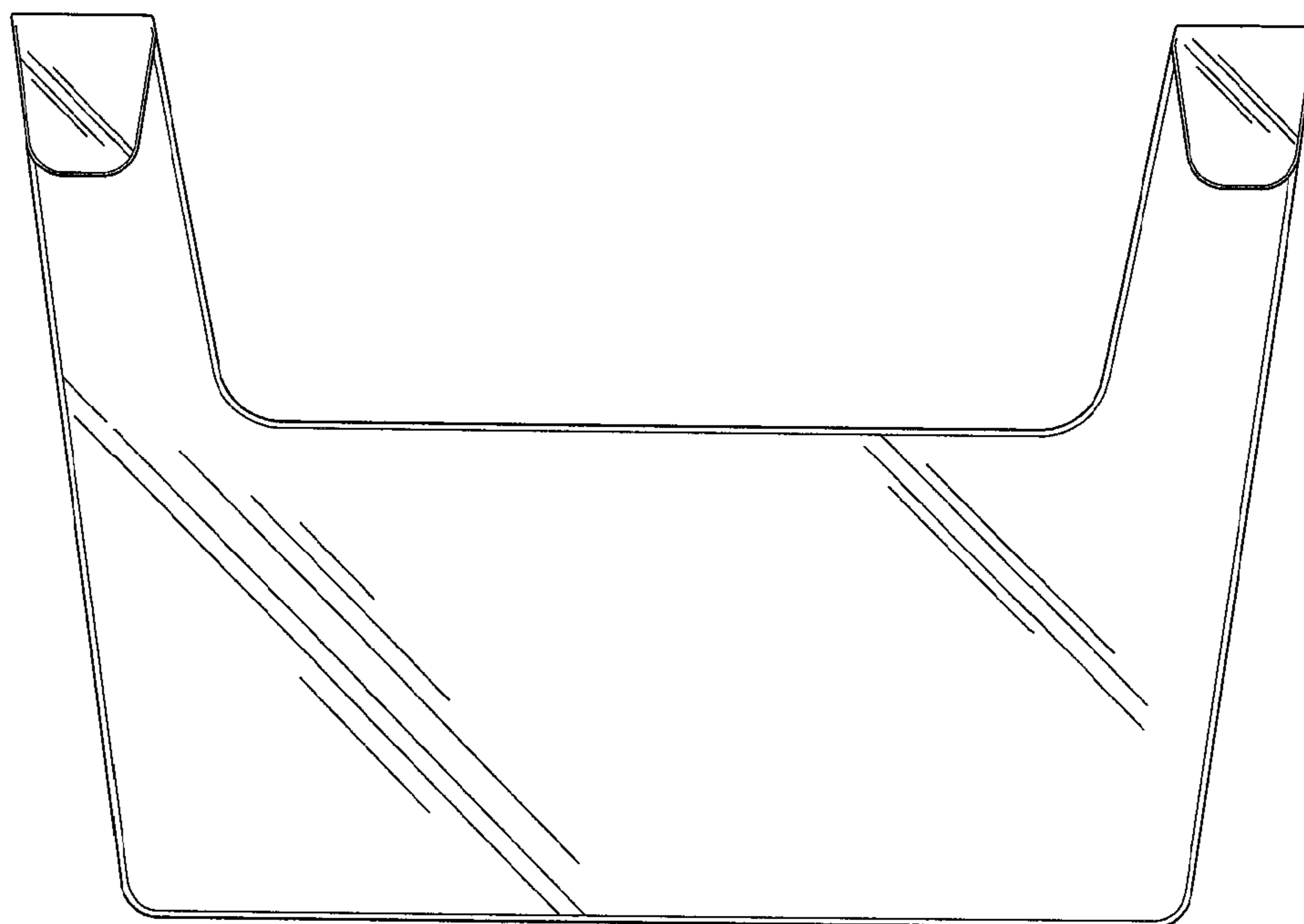


FIG. 5

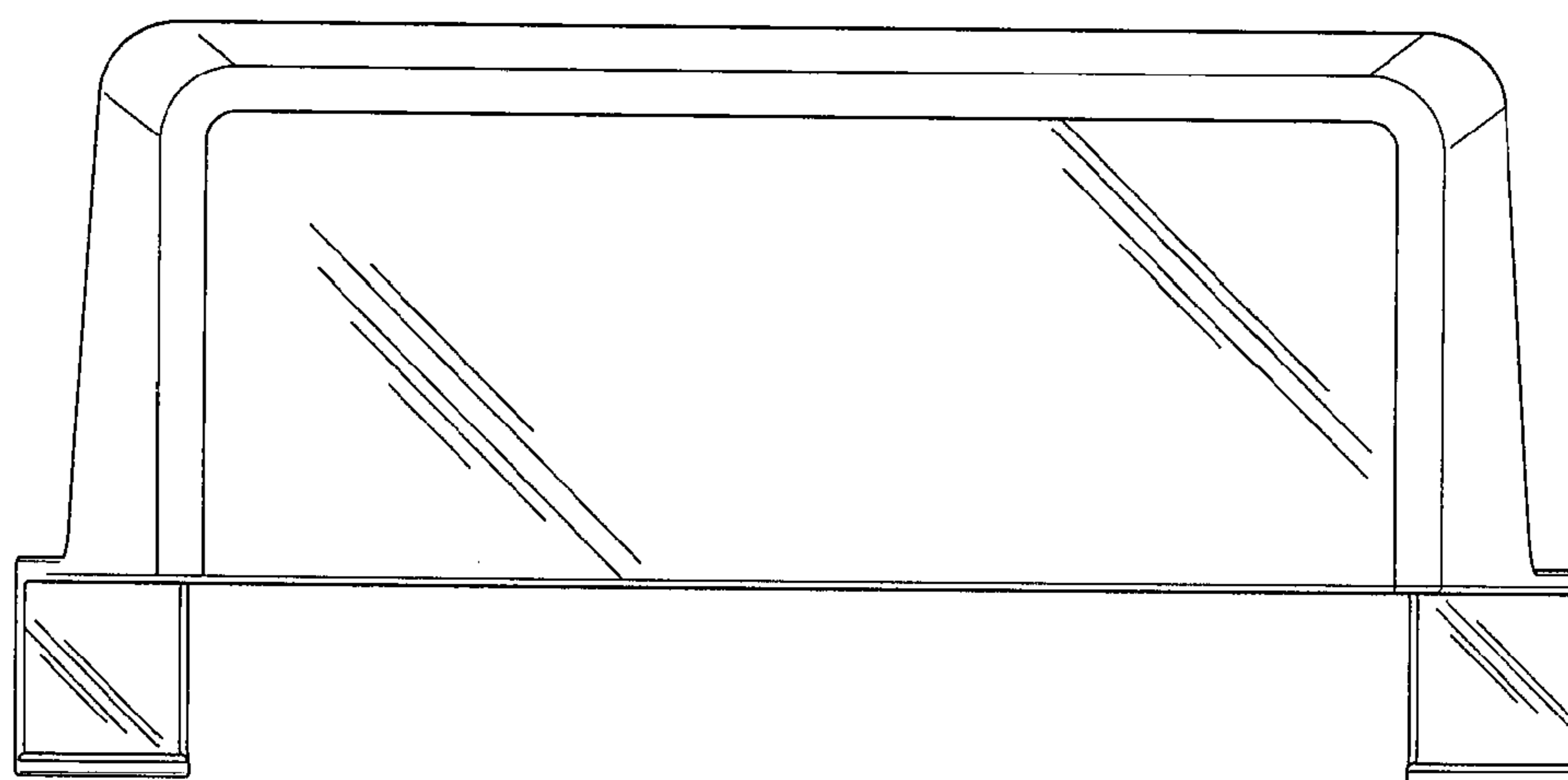


FIG. 6