



(12) **United States Design Patent**
Manz

(10) **Patent No.:** **US D608,568 S**
(45) **Date of Patent:** **** Jan. 26, 2010**

(54) **TABLE**
(75) Inventor: **Cecilie Manz**, Copenhagen (DK)
(73) Assignee: **Fritz Hansen A/S**, Allerod (DK)
(**) Term: **14 Years**
(21) Appl. No.: **29/329,477**
(22) Filed: **Dec. 16, 2008**

(30) **Foreign Application Priority Data**
Jun. 16, 2008 (EM) 951819-0001-0005

(51) **LOC (9) Cl.** **06-03**
(52) **U.S. Cl.** **D6/480**
(58) **Field of Classification Search** D6/480-489,
D6/495-499, 429-431, 349; 108/153.1,
108/155, 156, 161; 248/188, 188.1, 188.8
See application file for complete search history.

(56) **References Cited**
U.S. PATENT DOCUMENTS
2,717,815 A * 9/1955 Hubbard 108/161
D220,704 S * 5/1971 Kramer D6/484
D281,555 S * 12/1985 Levy D6/406.6
D385,126 S * 10/1997 Howland et al. D6/406.6

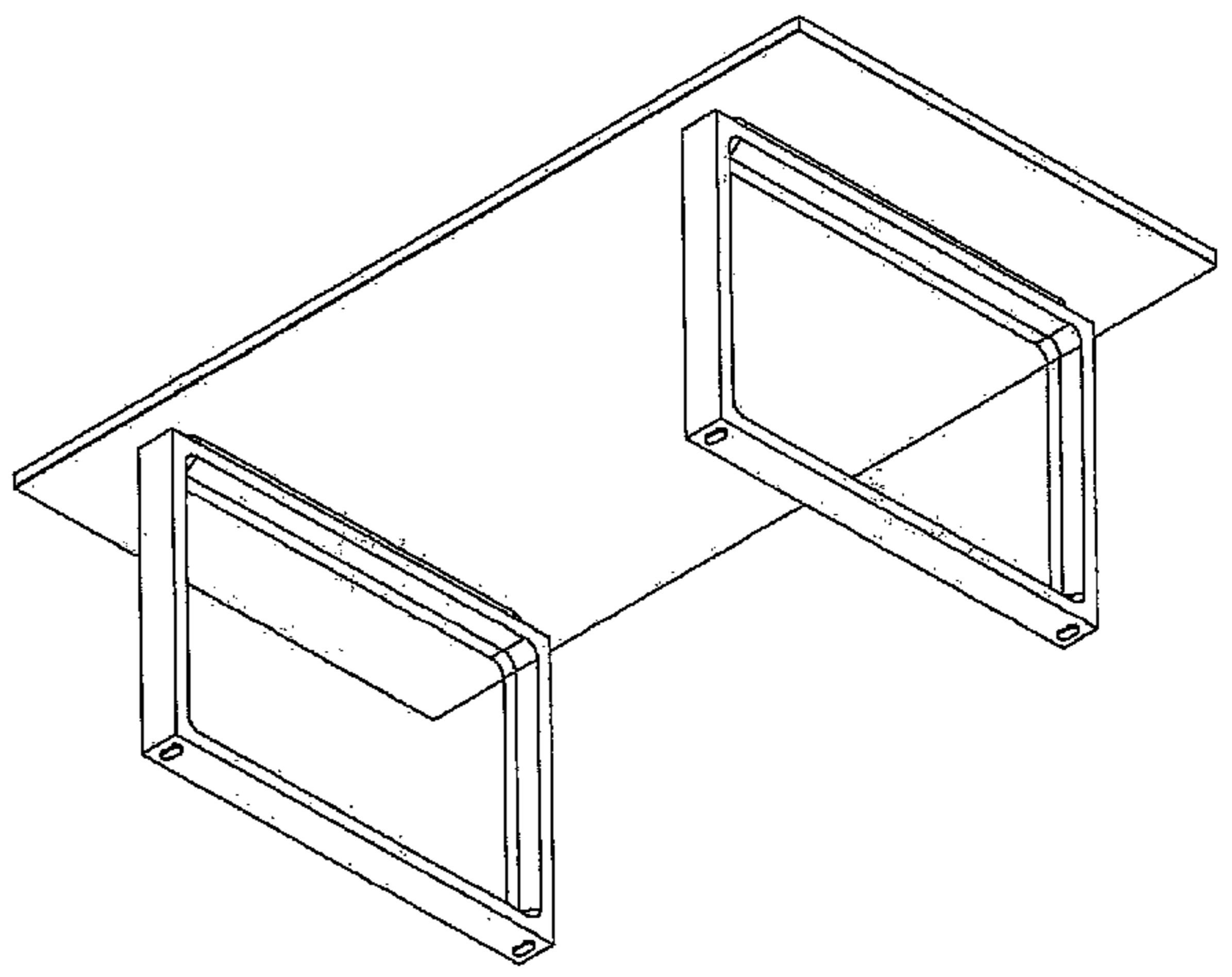
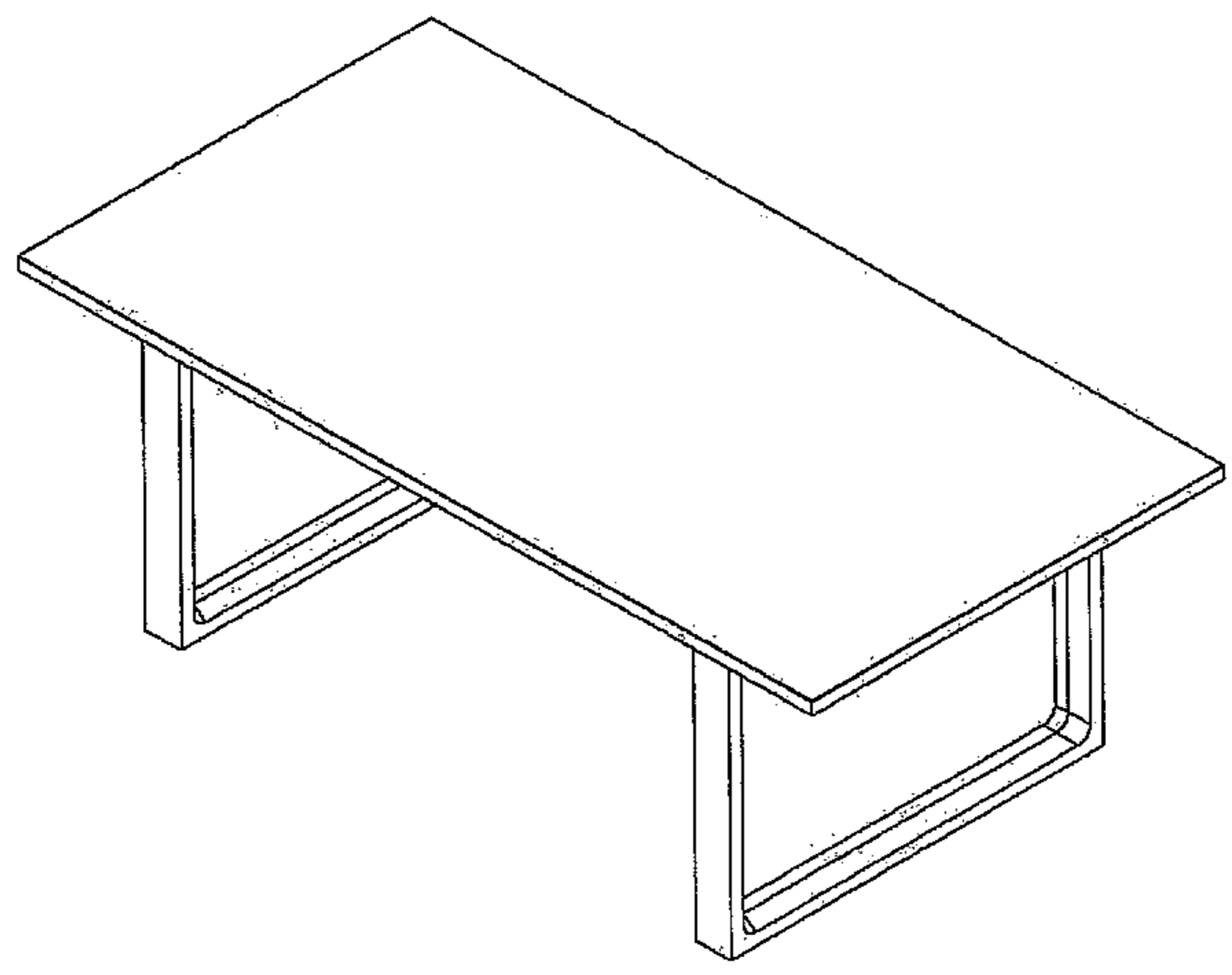
D510,492 S * 10/2005 Sakurai et al. D6/495
D558,489 S * 1/2008 Christensen D6/484
D588,380 S * 3/2009 Bucholz et al. D6/480

* cited by examiner
Primary Examiner—Janice E Seeger
(74) *Attorney, Agent, or Firm*—Renner, Otto, Boisselle, & Sklar, LLP

(57) **CLAIM**
The ornamental design for a table, as shown and described.

DESCRIPTION
FIG. 1 is a front view of the table showing my new design, the rear view being a mirror image thereof.
FIG. 2 is a top view of the table showing my new design.
FIG. 3 is a left end view of the table showing my new design, the right end view being a mirror image thereof.
FIG. 4 is a bottom view of the table showing my new design.
FIG. 5 is a front upper right end perspective view of the table showing my new design; and,
FIG. 6 is a bottom left rear view of the table showing my new design.

1 Claim, 6 Drawing Sheets



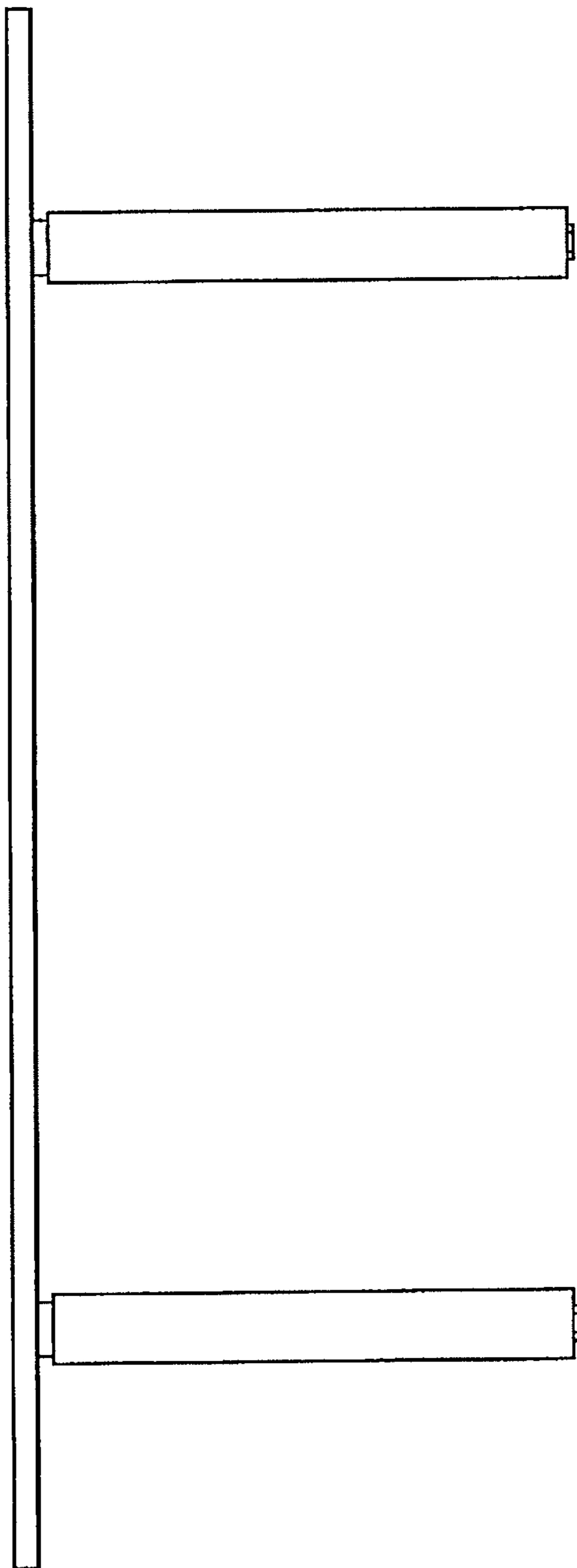


Fig. 1



Fig. 2

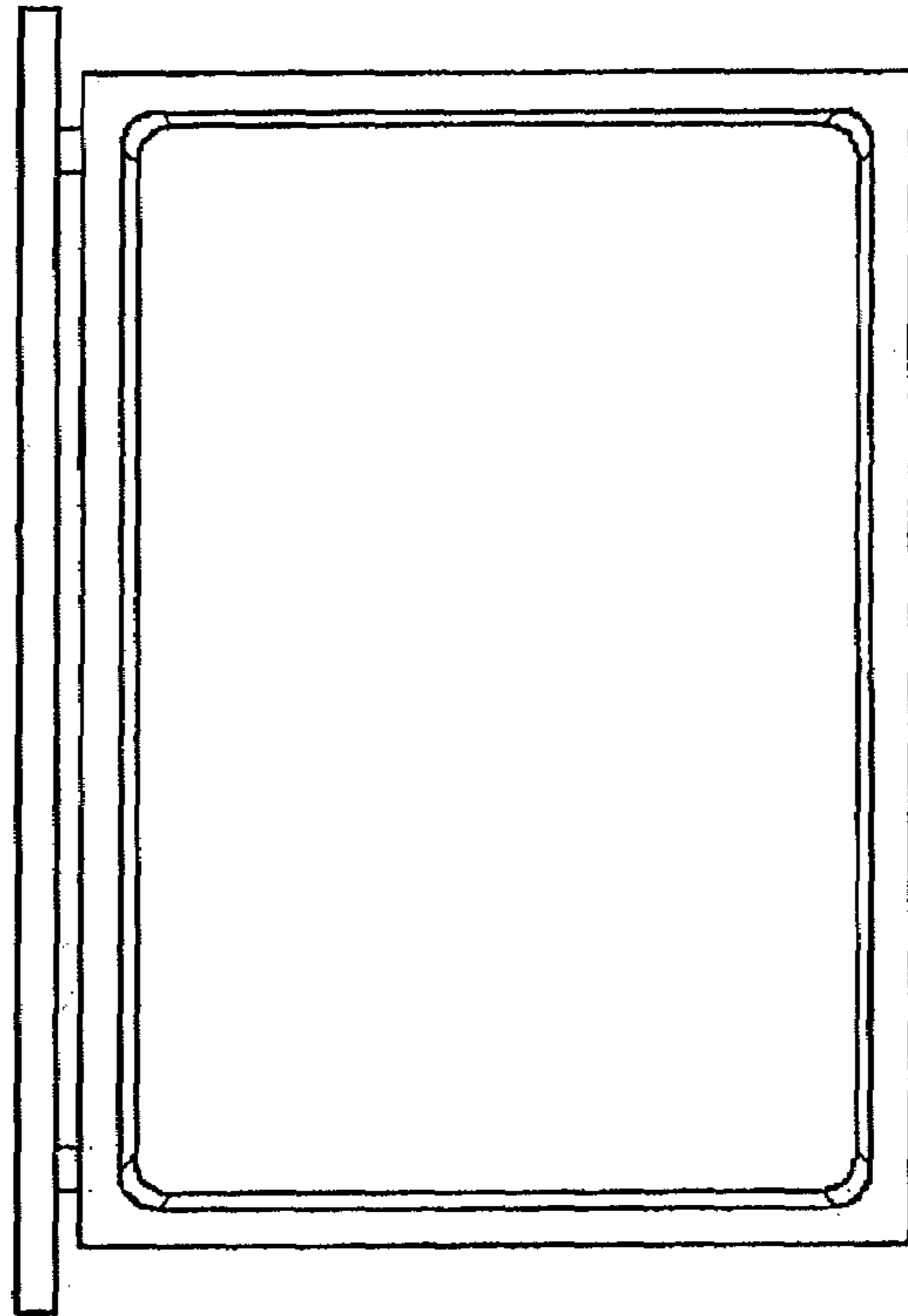


Fig. 3

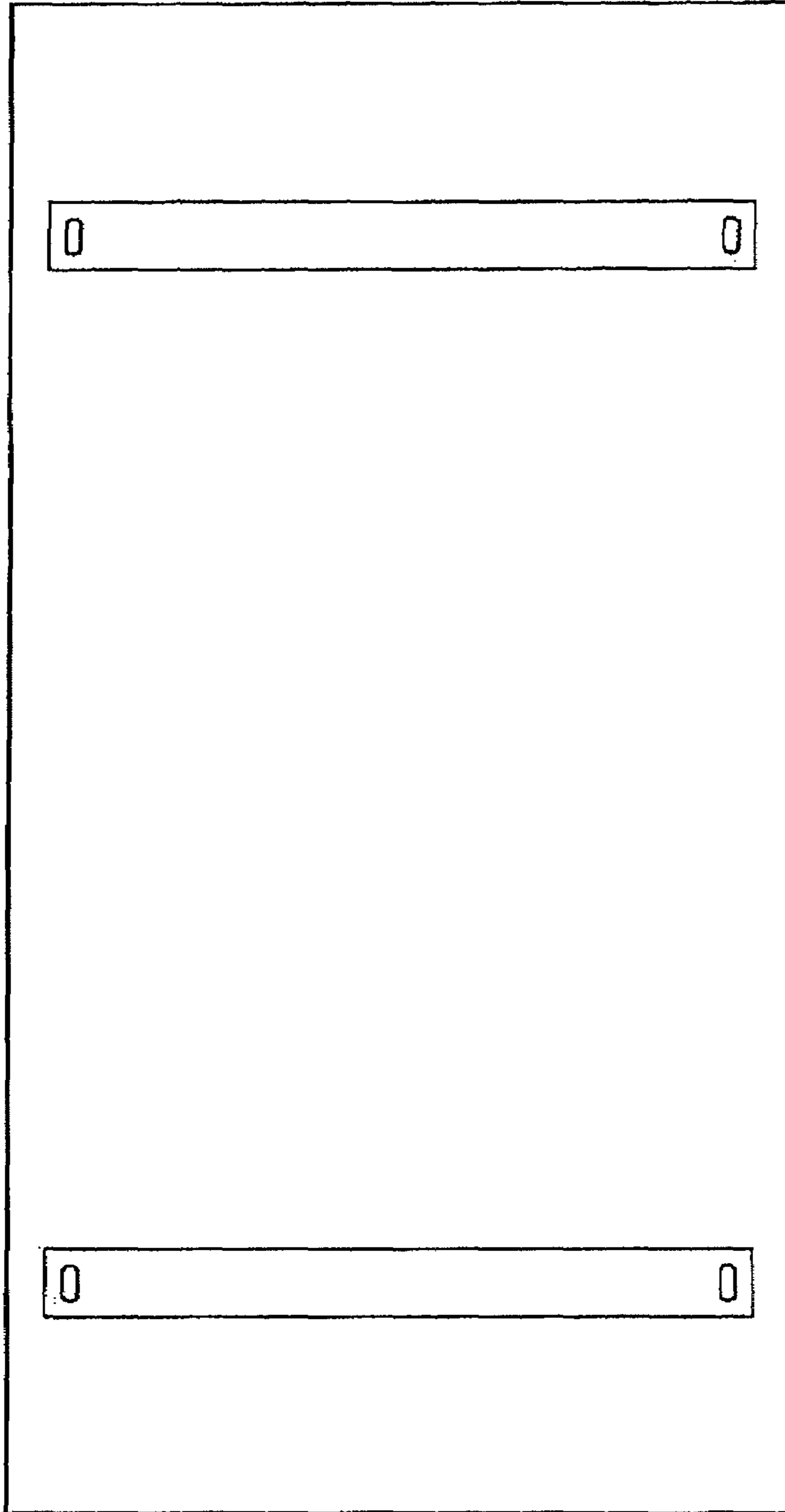


Fig. 4

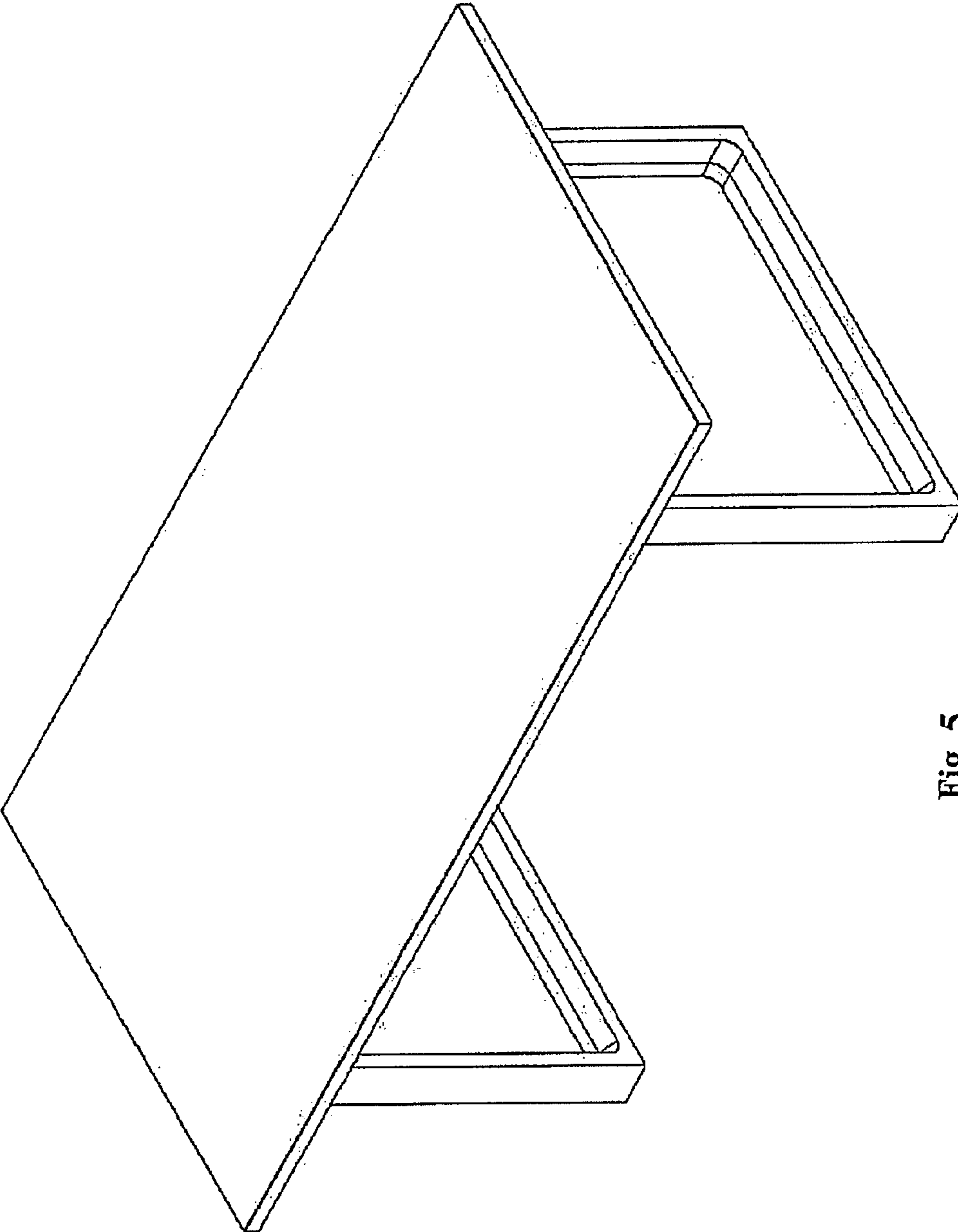


Fig. 5

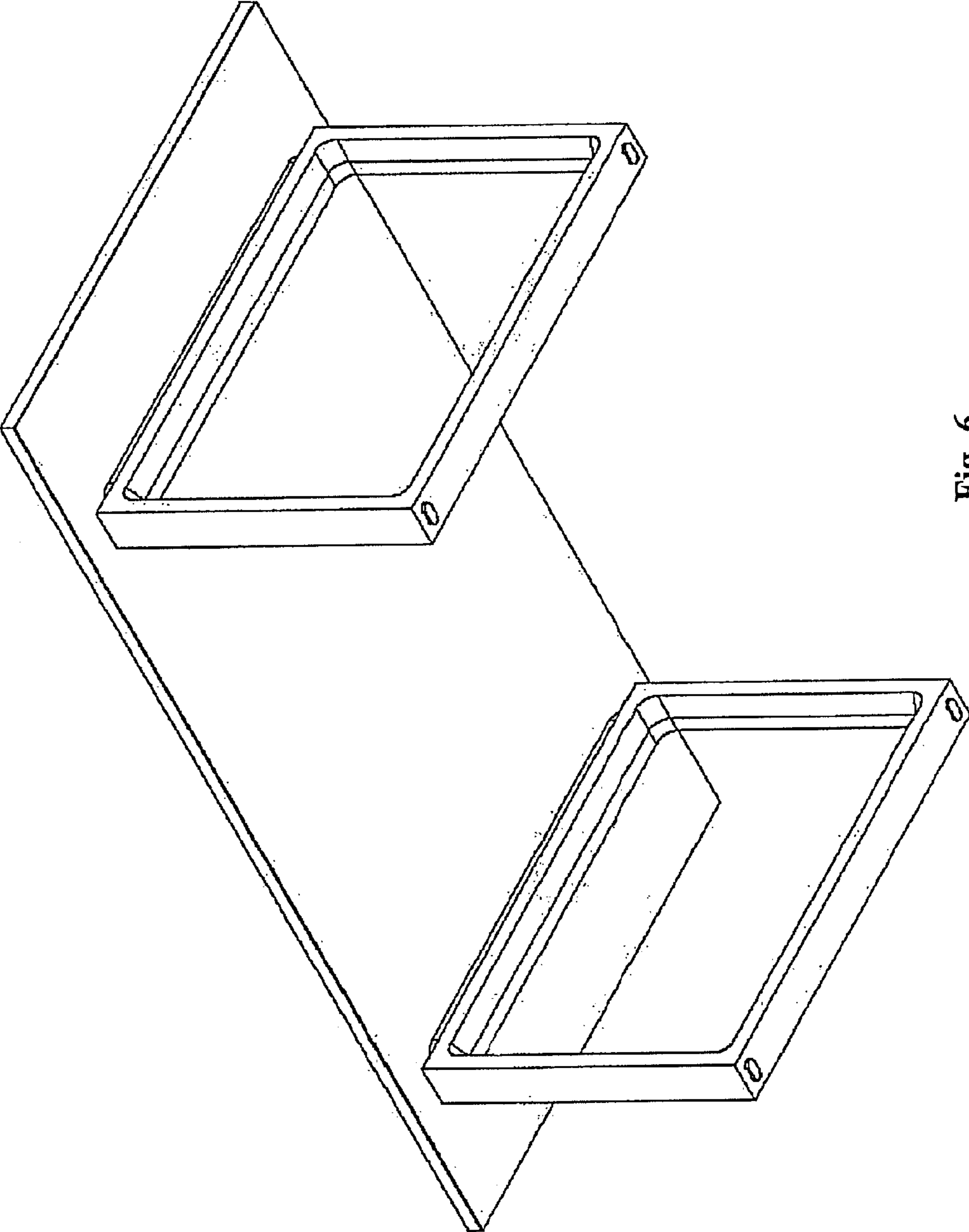


Fig. 6