



US00D608567S

(12) **United States Design Patent**
Pini

(10) **Patent No.:** **US D608,567 S**

(45) **Date of Patent:** **** Jan. 26, 2010**

(54) **TABLE**

(75) Inventor: **Belisario Pini**, Florence (IT)

(73) Assignee: **STEAB S.p.A.**, Florence (IT)

(**) Term: **14 Years**

(21) Appl. No.: **29/327,593**

(22) Filed: **Nov. 10, 2008**

(51) **LOC (9) Cl.** **06-03**

(52) **U.S. Cl.** **D6/480**

(58) **Field of Classification Search** D6/480-489,
D6/495-499, 429-431, 349; 108/153.1,
108/155, 156, 161; 248/188, 188.1, 188.8
See application file for complete search history.

(56) **References Cited**

U.S. PATENT DOCUMENTS

- D214,672 S * 7/1969 Ricca D6/488
- D217,474 S * 5/1970 Craddock D6/485

- D283,864 S * 5/1986 Bergelin D6/484
- 5,318,260 A * 6/1994 Kemnitz 248/188.91
- D404,596 S * 1/1999 Luong et al. D6/484

* cited by examiner

Primary Examiner—Janice E Seeger

(74) *Attorney, Agent, or Firm*—McGlew and Tuttle, P.C.

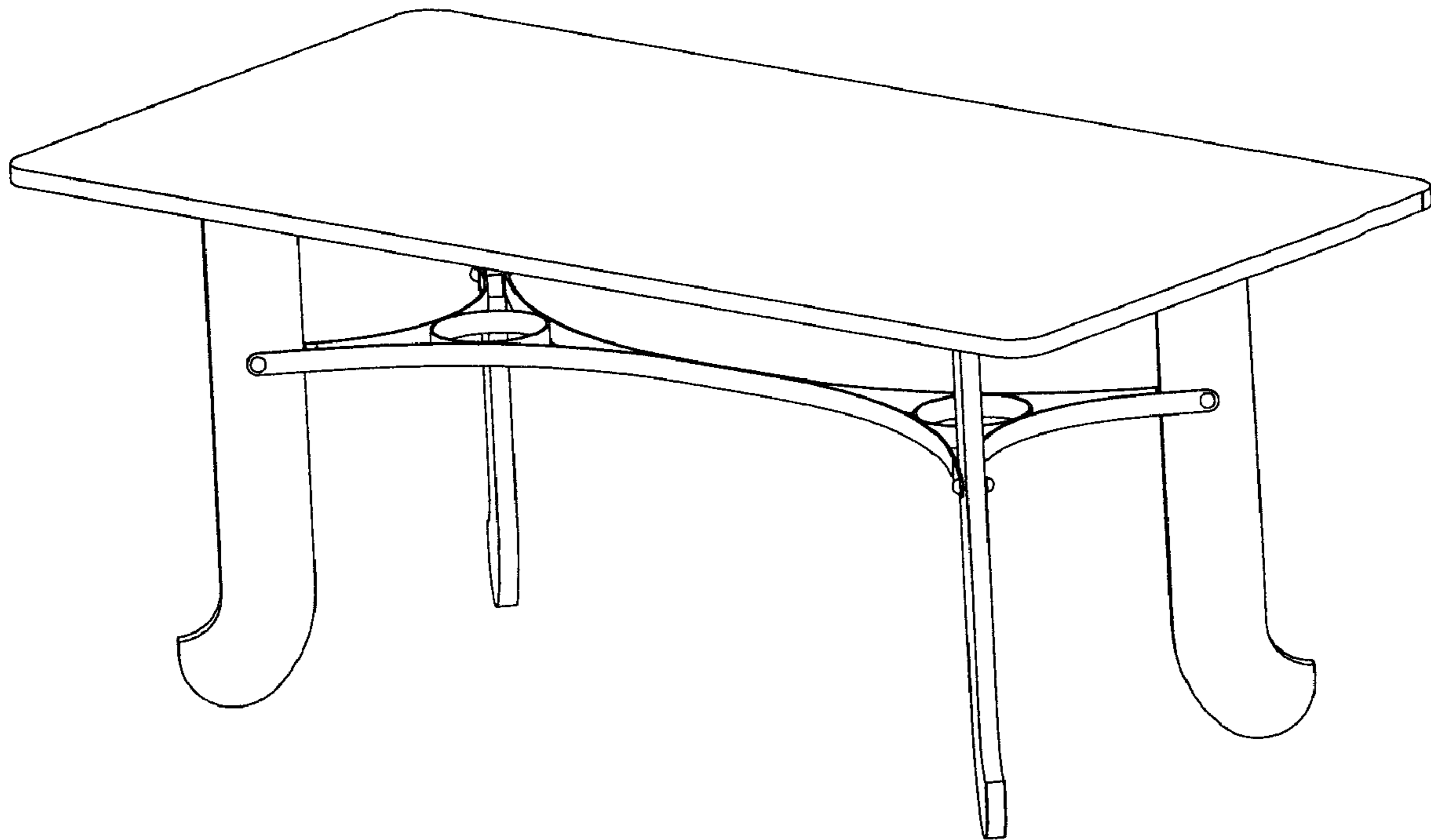
(57) **CLAIM**

The ornamental design for a table, as shown and described.

DESCRIPTION

FIG. 1 is a perspective view of my table design;
 FIG. 2 is a top view thereof;
 FIG. 3 is a bottom view thereof;
 FIG. 4 is a front side view thereof;
 FIG. 5 is a rear side view thereof;
 FIG. 6 is a right side view thereof; and,
 FIG. 7 is a left side view thereof.

1 Claim, 7 Drawing Sheets



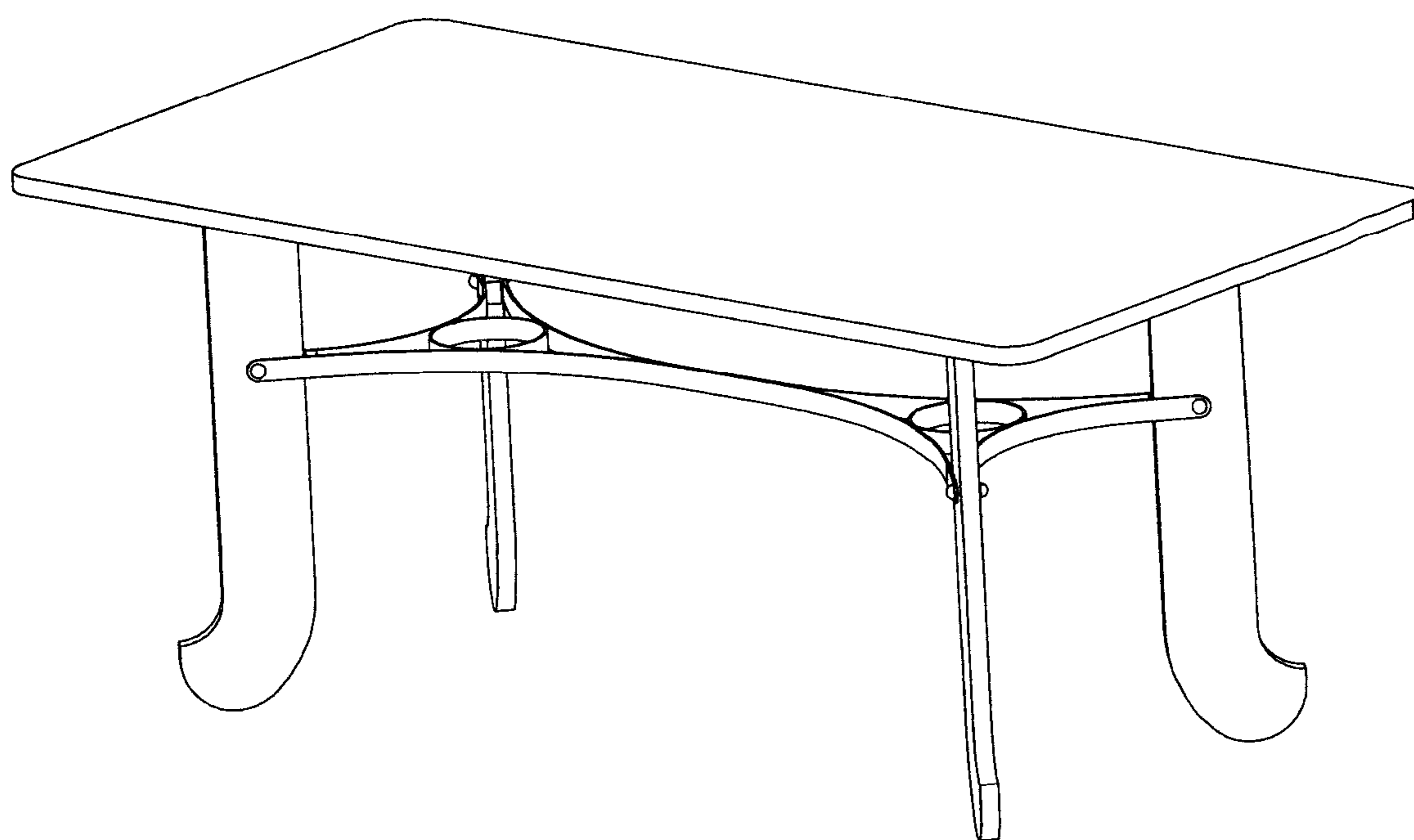


FIG. 1

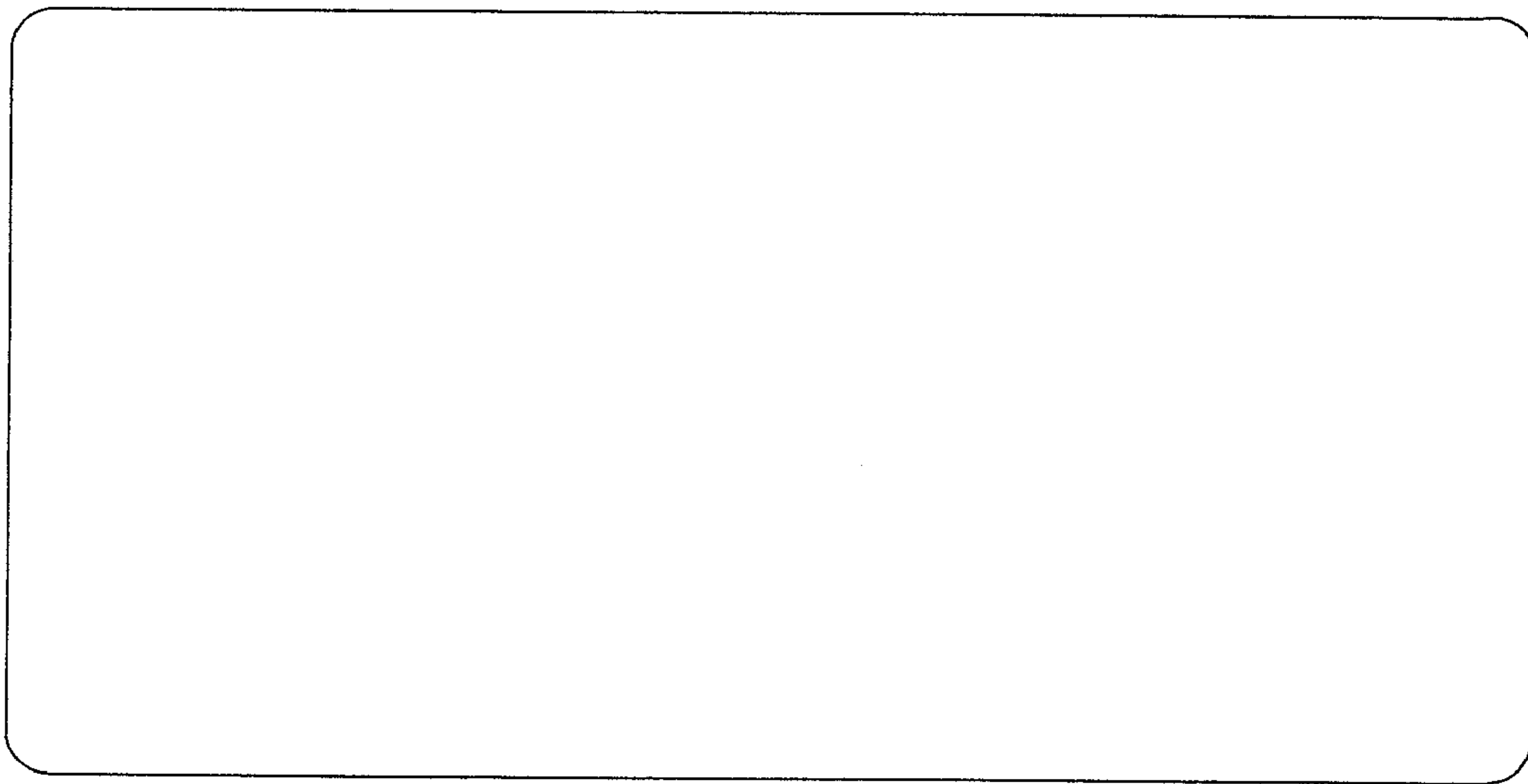


FIG.2

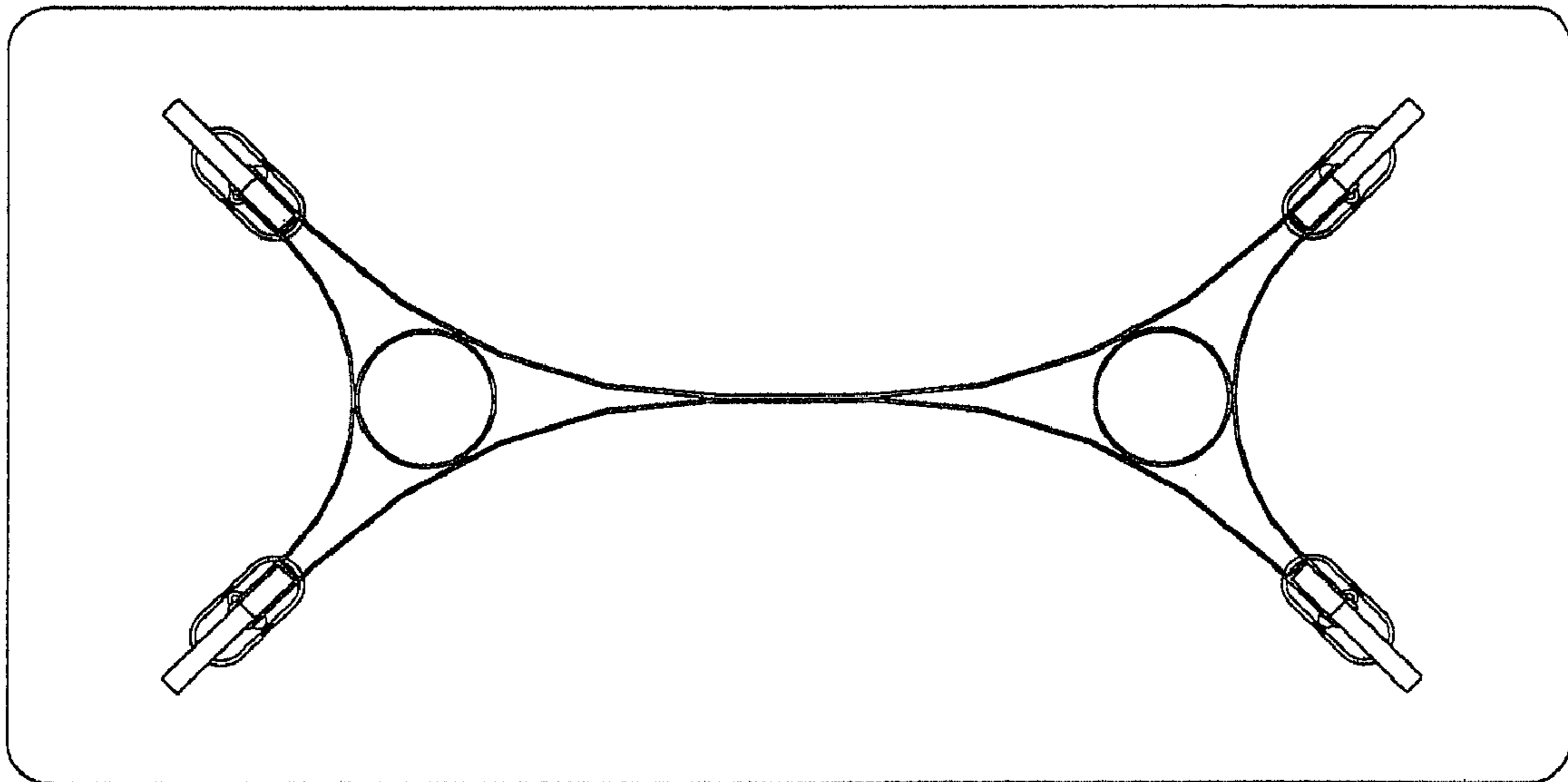


FIG.3

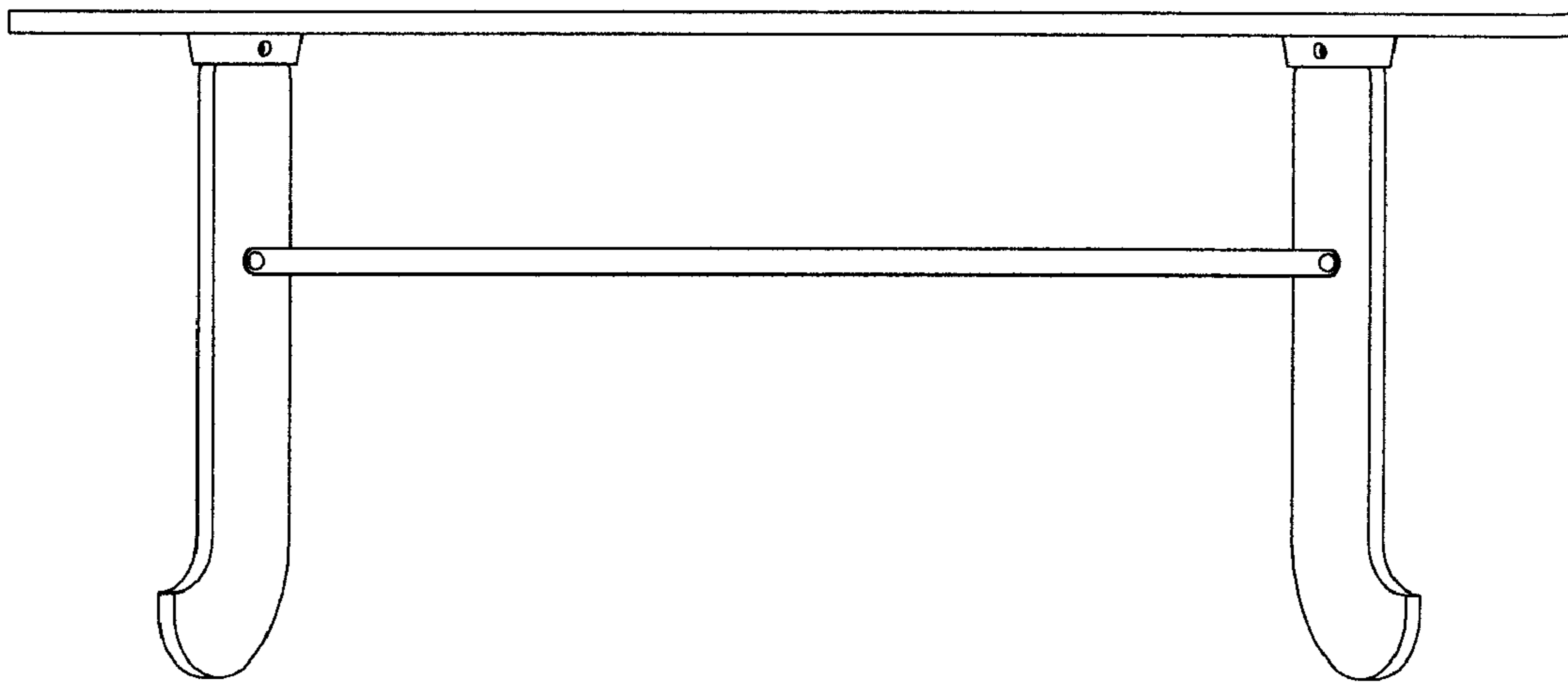


FIG. 4

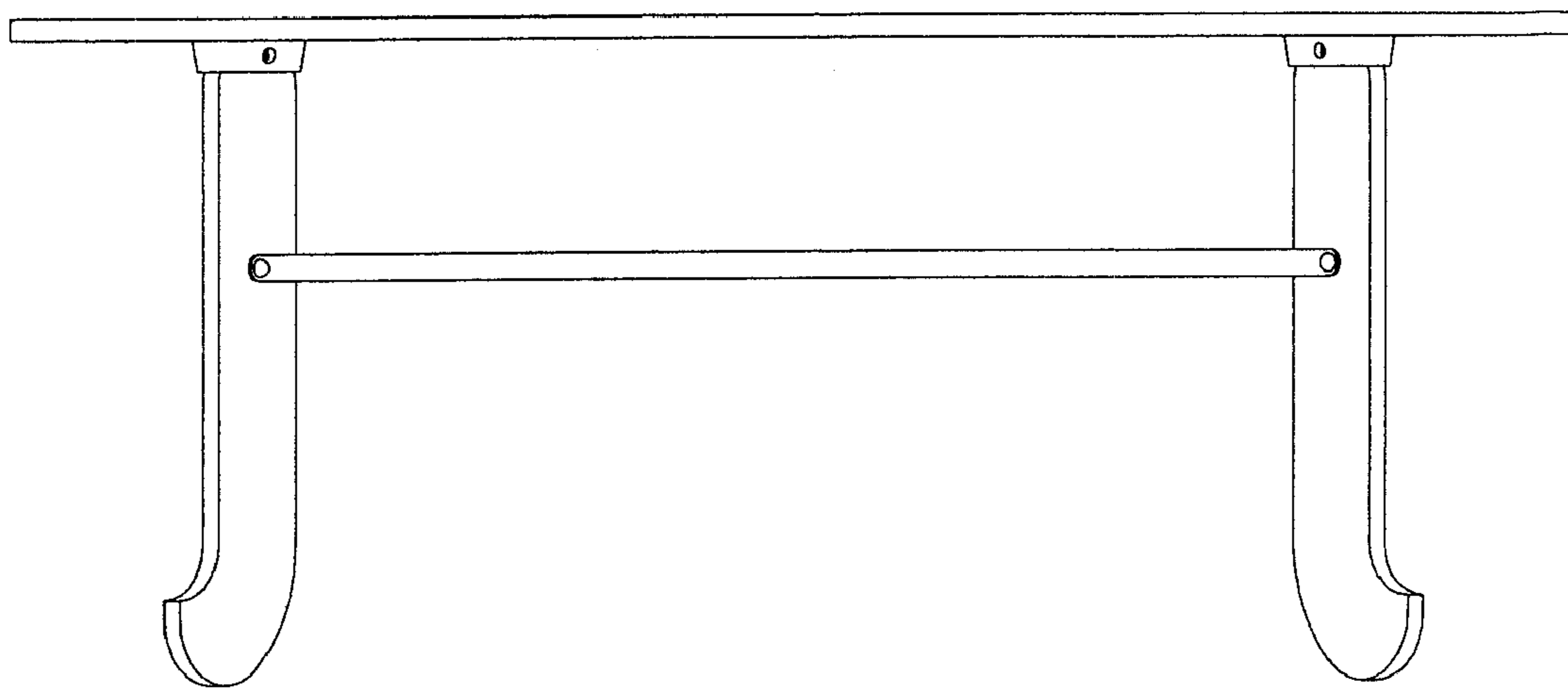


FIG. 5

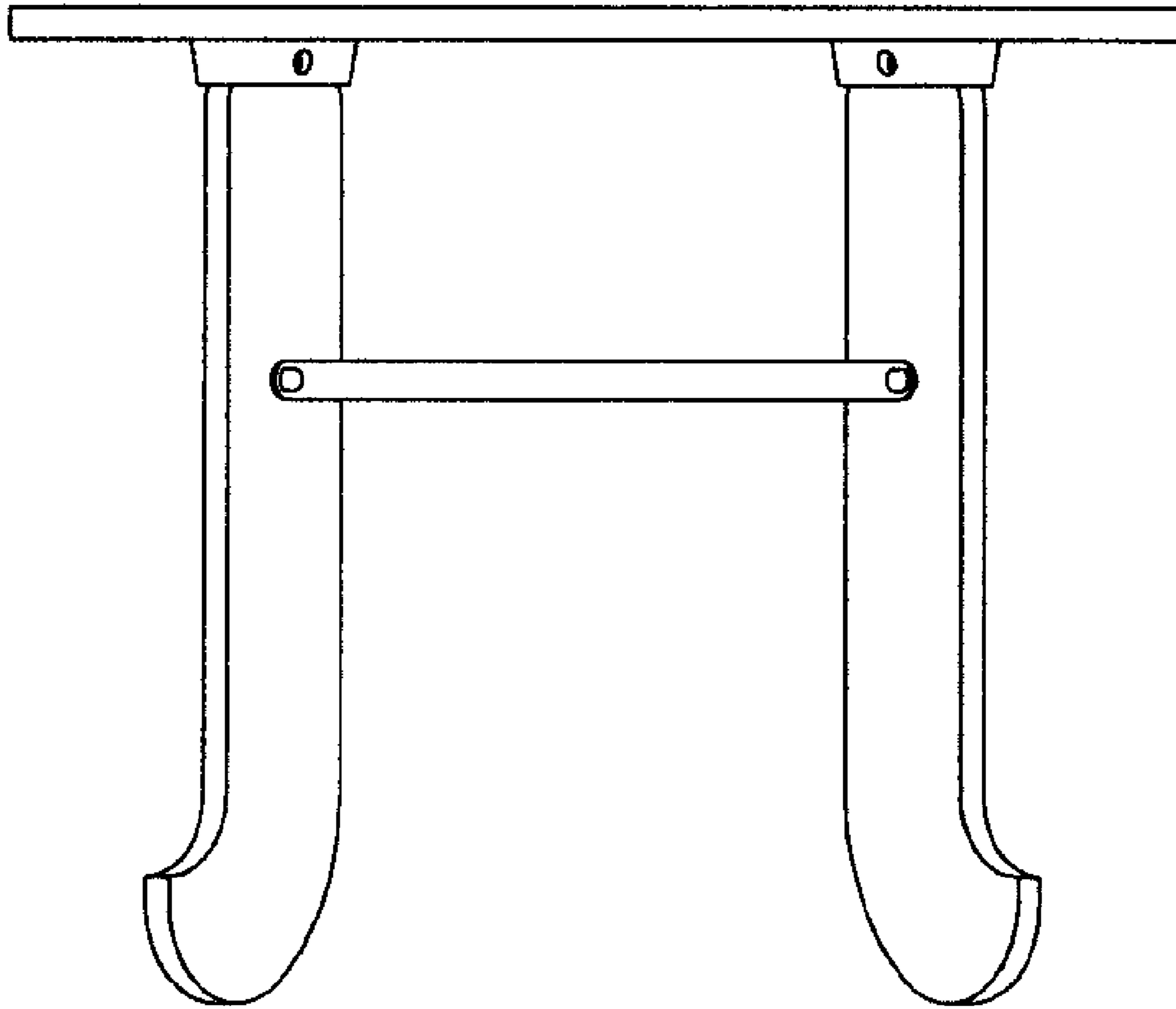


FIG. 6

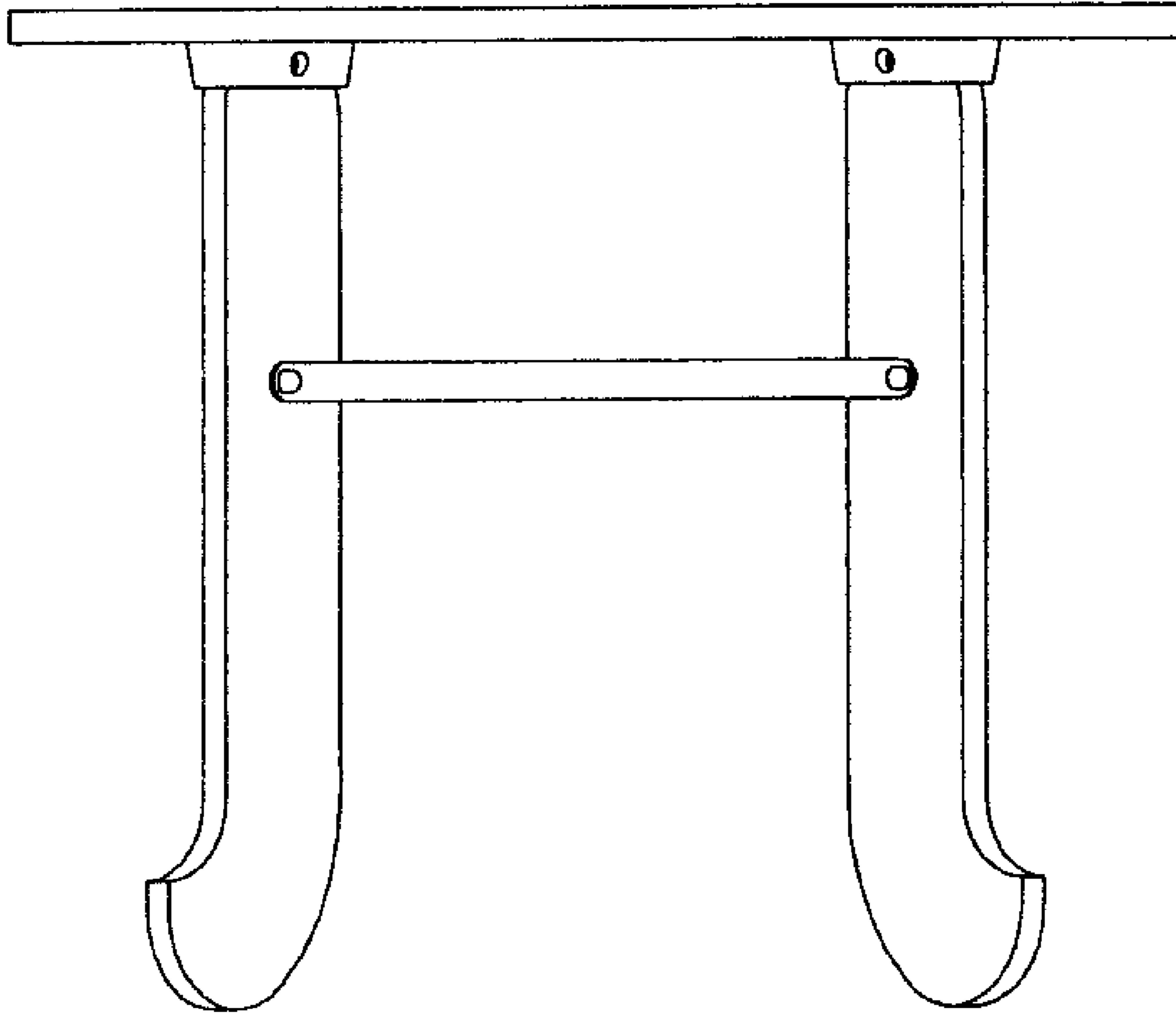


FIG. 7