



US00D608565S

(12) **United States Design Patent**
Mori

(10) **Patent No.:** **US D608,565 S**
(45) **Date of Patent:** **** Jan. 26, 2010**

(54) **WARMING SHOWCASE**

D560,397 S * 1/2008 Arrosagaray D6/472

(75) Inventor: **Kanta Mori**, Isesaki (JP)

FOREIGN PATENT DOCUMENTS

(73) Assignee: **Sanden Corporation**, Isesaki-shi,
Gunma (JP)

JP D1083530 S 8/2000
JP D1227322 S 1/2005
JP D1245879 S 7/2005

(**) Term: **14 Years**

OTHER PUBLICATIONS

(21) Appl. No.: **29/298,084**

Kanta Mori, U.S. Appl. No. 29/298,087 (with Preliminary Amendment), filed Nov. 28, 2007.

(22) Filed: **Nov. 28, 2007**

* cited by examiner

(30) **Foreign Application Priority Data**

May 28, 2007 (JP) D2007-014000

Primary Examiner—Caron Veynar

Assistant Examiner—Kelley A Donnelly

(74) *Attorney, Agent, or Firm*—Baker Botts L.L.P.

(51) **LOC (9) Cl.** **06-04**

(52) **U.S. Cl.** **D6/470**

(58) **Field of Classification Search** D6/349,
D6/355, 334–336, 356, 364, 370–371, 373,
D6/379–381, 500–502, 470; 5/12.1, 655.3;
297/232, 16.1–16.2, 116, 135, 154, 187,
297/158.3, 158.4, 158.5

See application file for complete search history.

(57) **CLAIM**

The ornamental design for a warming showcase, as shown and described.

DESCRIPTION

FIG. 1 is a right side perspective view of a warming showcase;

FIG. 2 is a front view of the warming showcase of FIG. 1.

FIG. 3 is a rear view of the warming showcase of FIG. 1.

FIG. 4 is a bottom view of the warming showcase of FIG. 1.

FIG. 5 is a right side view of the warming showcase of FIG. 1; and,

FIG. 6 is a top view of the warming showcase of FIG. 1.

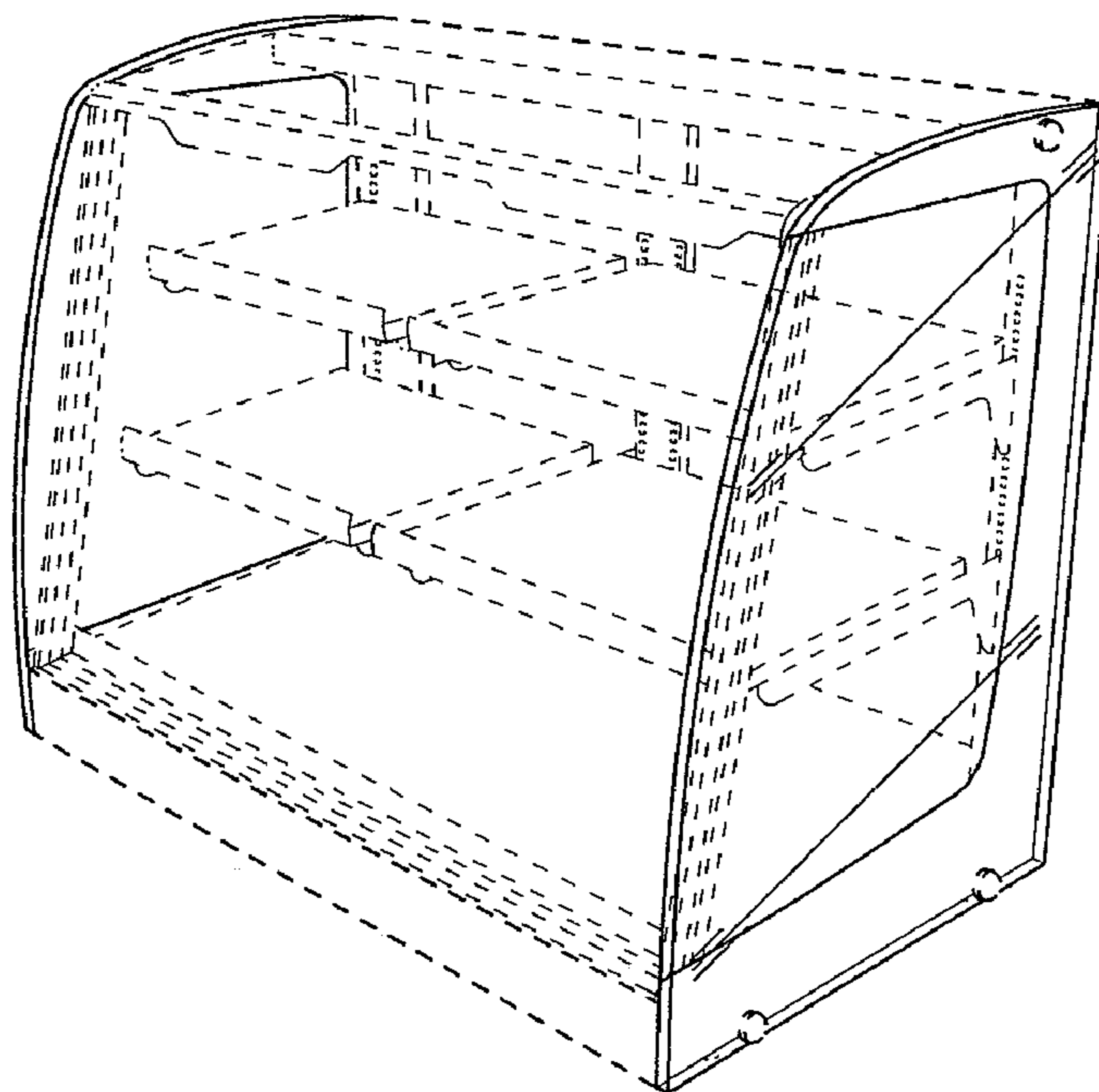
The broken lines are for environmental purposes only and form no part of the claimed design.

(56) **References Cited**

U.S. PATENT DOCUMENTS

D156,416 S * 12/1949 Greilingm D6/470
D280,477 S * 9/1985 Petrick D6/472
5,860,289 A * 1/1999 Wetzel 62/255
D438,404 S * 3/2001 Topper et al. D6/470
D496,053 S * 9/2004 Wetzel D15/79
D498,616 S * 11/2004 Hohler et al. D6/472
D543,561 S * 5/2007 Fogarty et al. D15/89

1 Claim, 3 Drawing Sheets



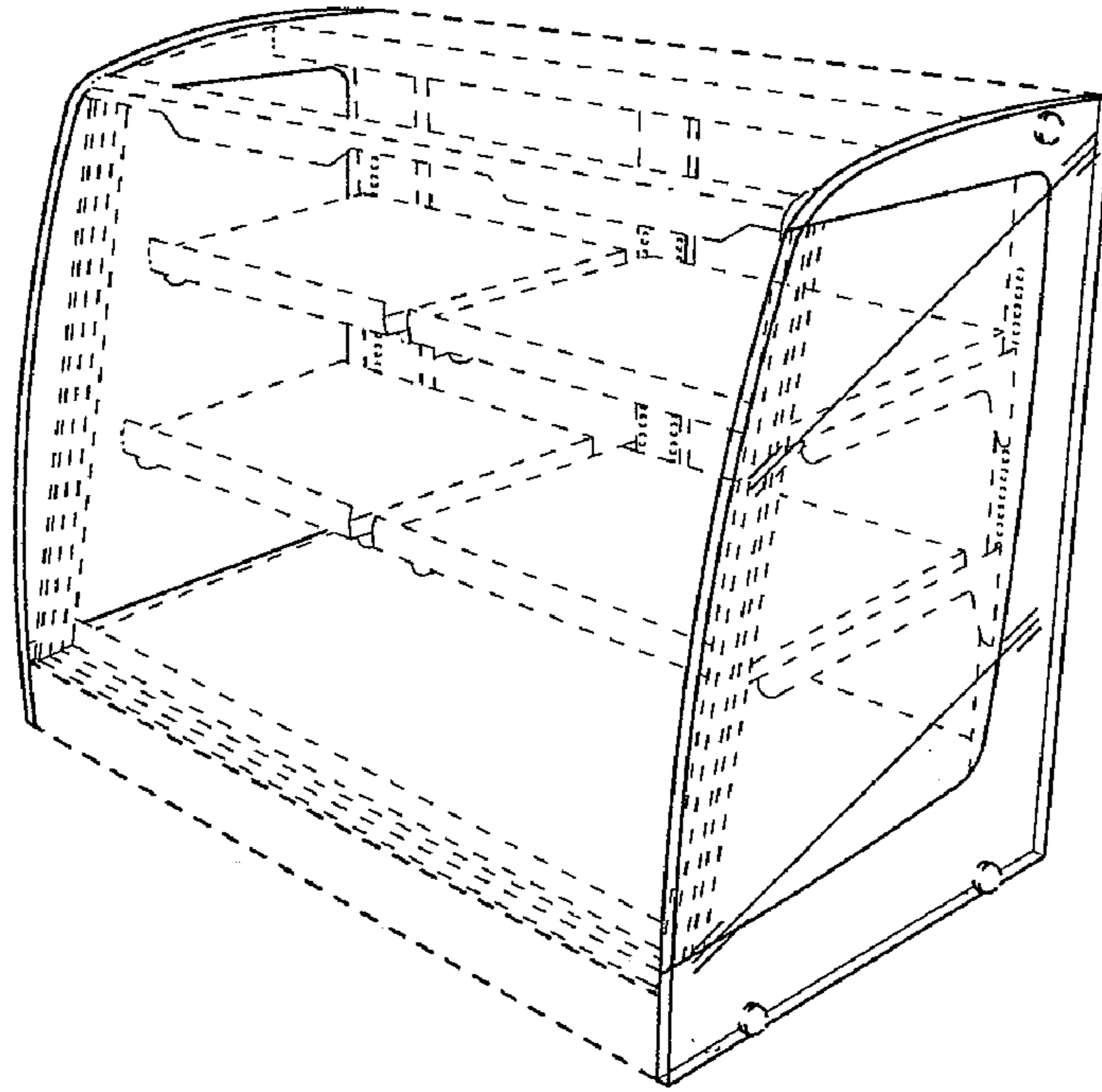


FIG. 1

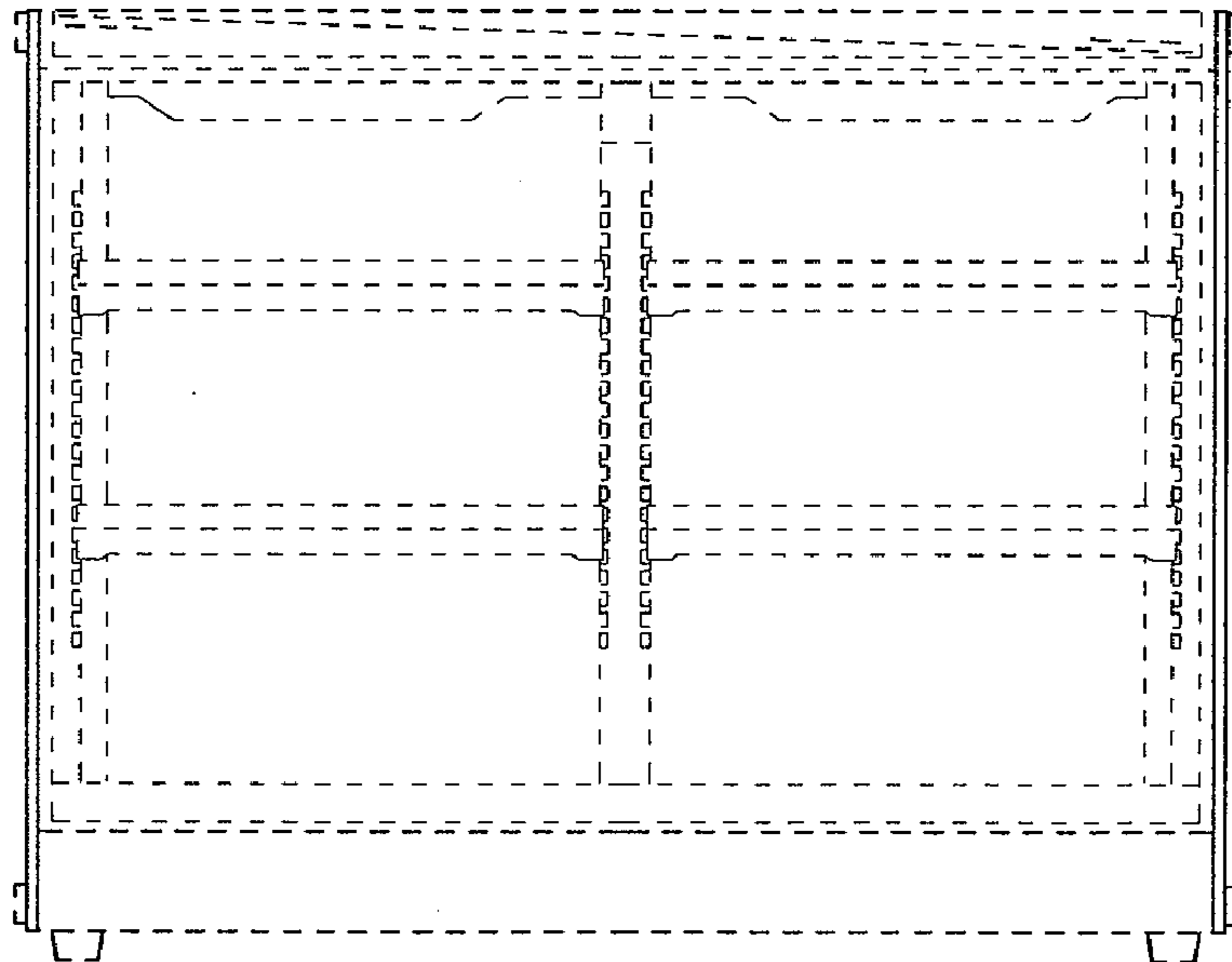


FIG. 2

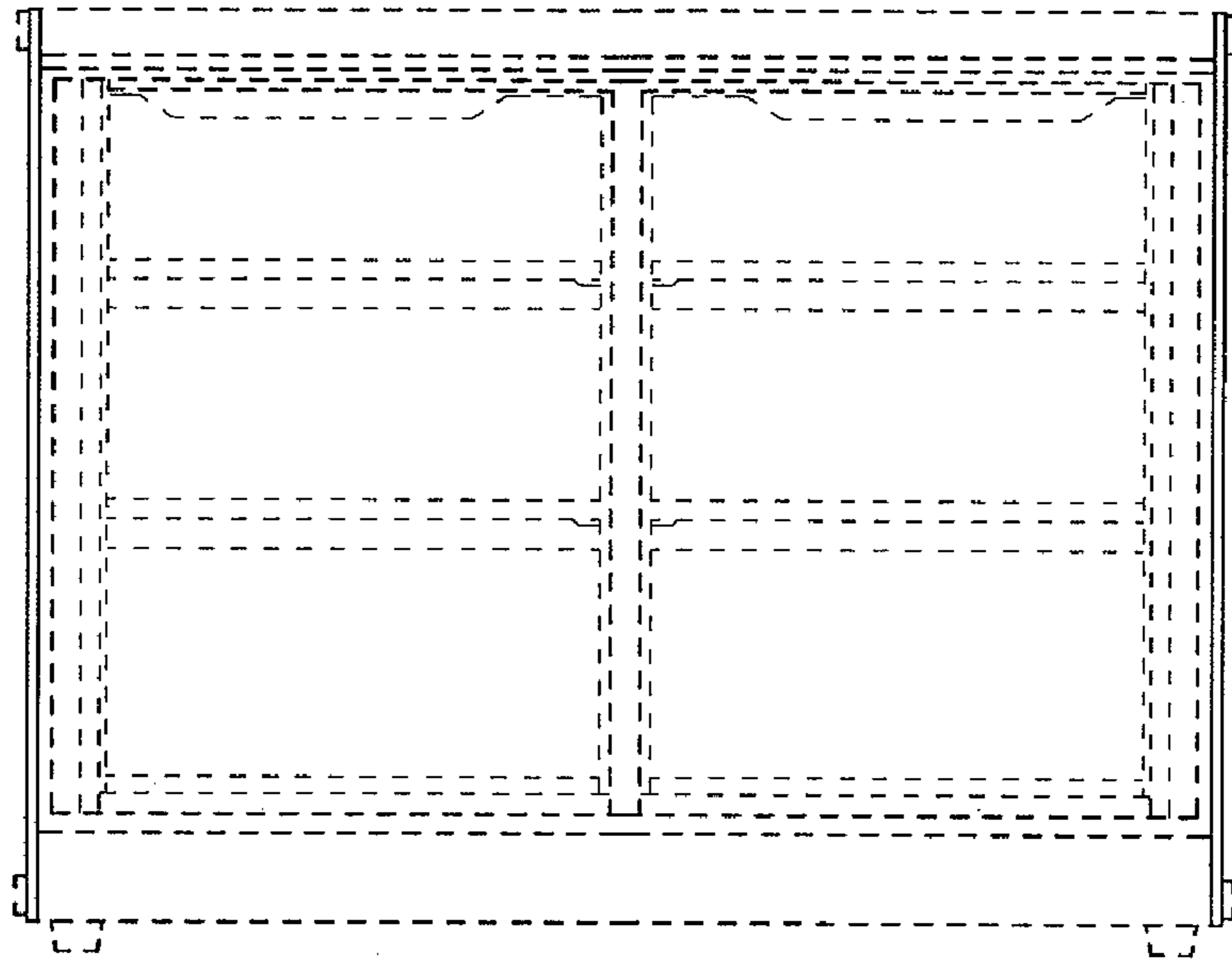


FIG. 3

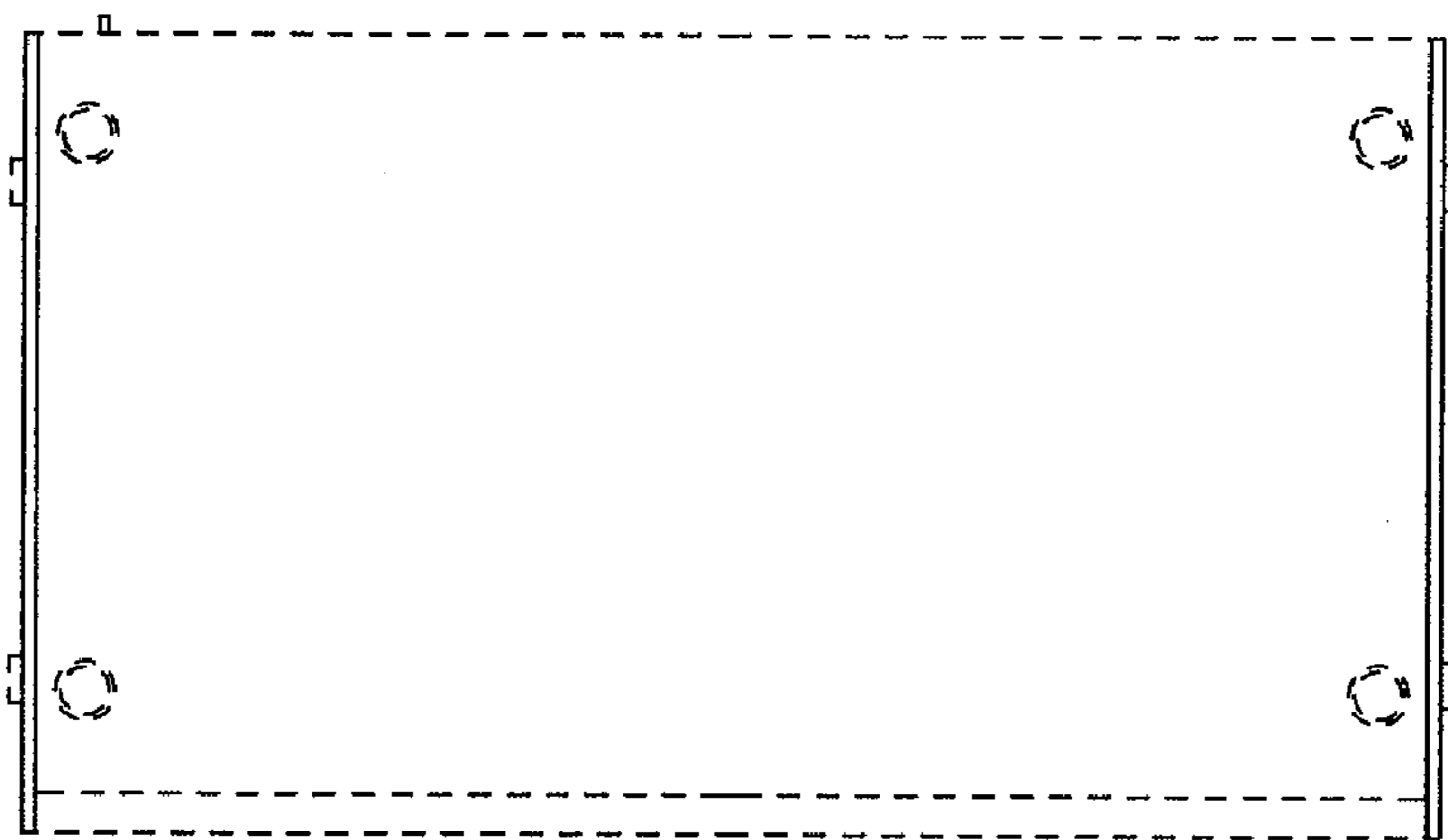


FIG. 4

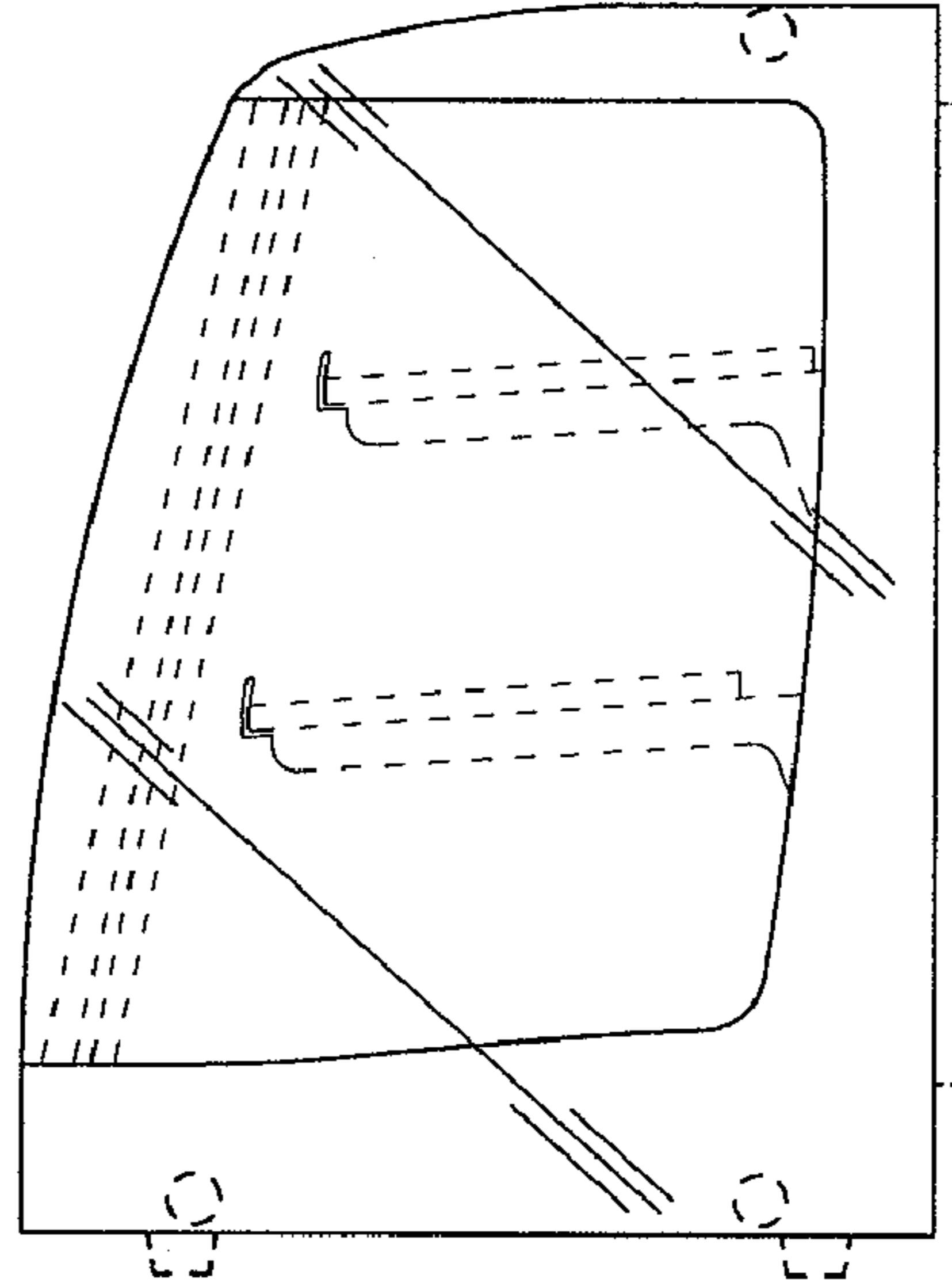


FIG. 5

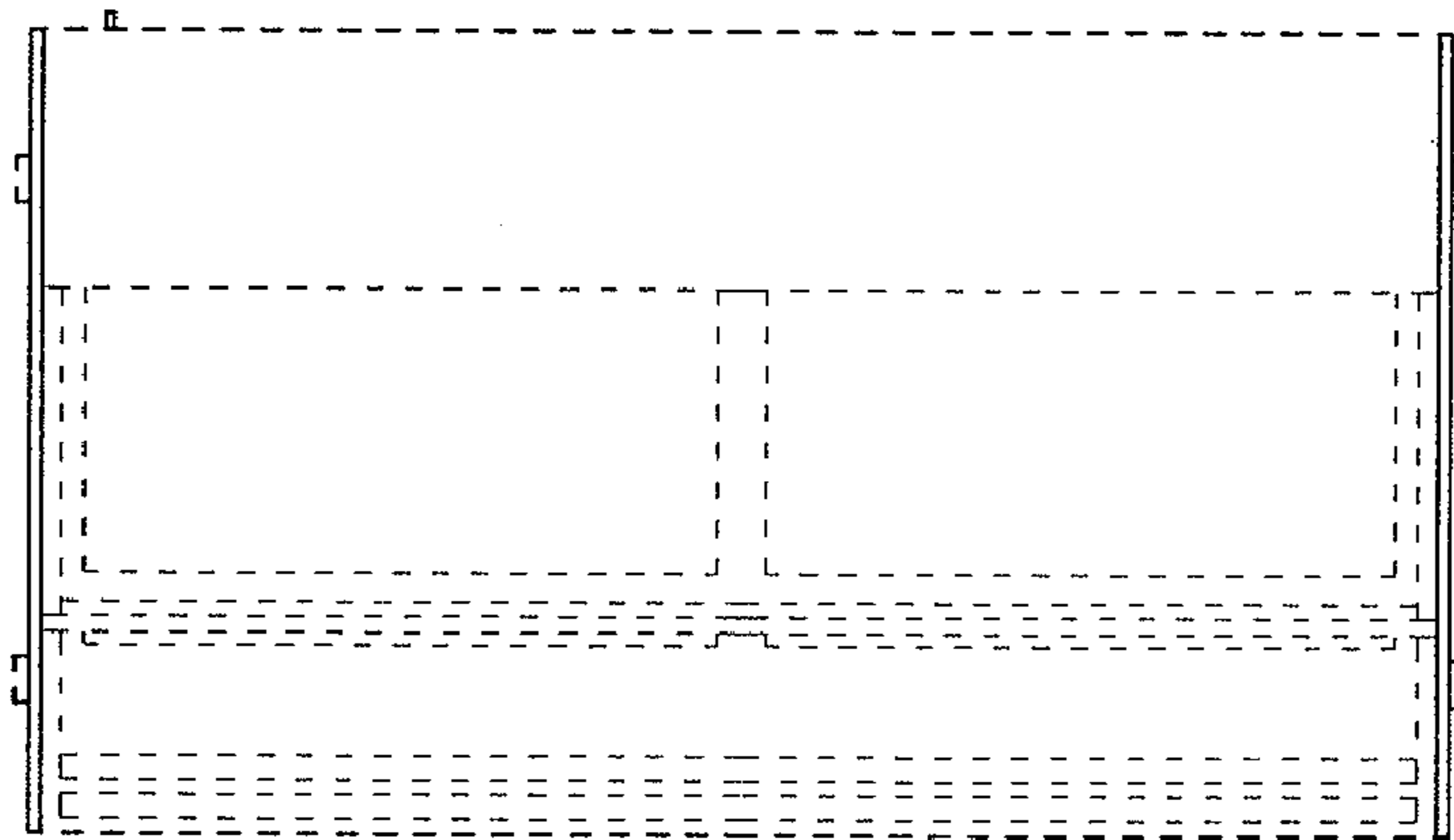


FIG. 6