



US00D608563S

(12) **United States Design Patent**
Wenner

(10) **Patent No.:** **US D608,563 S**

(45) **Date of Patent:** **** Jan. 26, 2010**

(54) **WAGON CHANGING TABLE**

(76) **Inventor:** **Neil K. Wenner**, P.O. Box 411,
Mountain Lake, MN (US) 55159

(**) **Term:** **14 Years**

(21) **Appl. No.:** **29/330,078**

(22) **Filed:** **Dec. 29, 2008**

(51) **LOC (9) Cl.** **06-04**

(52) **U.S. Cl.** **D6/397**

(58) **Field of Classification Search** D6/397,

D6/390-391; 280/87.01, 87.02, 87.042;

D21/425; 446/71, 73, 78, 444, 446

See application file for complete search history.

(56) **References Cited**

U.S. PATENT DOCUMENTS

1,171,343	A	2/1916	Klok	
1,560,288	A	11/1925	Murvy	
1,975,900	A *	10/1934	Kuenhold	211/133.6
3,407,959	A *	10/1968	Mondineu	220/6
4,265,461	A	5/1981	Okubo	
4,763,799	A	8/1988	Cohn et al.	
D308,992	S *	7/1990	Wagner	D21/425
5,016,948	A	5/1991	Welch et al.	
5,234,224	A	8/1993	Kim	
D375,419	S *	11/1996	Levine	D6/384
5,653,458	A	8/1997	Chaparian	
5,673,924	A	10/1997	Demick et al.	
D426,928	S *	6/2000	Pasin	D34/19
6,079,719	A	6/2000	Tisbo et al.	
D478,943	S *	8/2003	Kuelbs	D21/425
6,601,860	B2	8/2003	Potter	
D483,419	S *	12/2003	Chiappetta et al.	D21/425
6,708,992	B1	3/2004	Vargas	
D493,593	S *	7/2004	Anderson	D34/14

7,014,200	B2	3/2006	Calmeise et al.	
D522,207	S *	5/2006	Gregory	D34/21
7,222,866	B1	5/2007	Cahoj et al.	
D579,061	S *	10/2008	Brockmeyer	D21/425
D593,339	S *	6/2009	Tomasi	D6/390
2006/0119056	A1	6/2006	Olsen	
2007/0033730	A1	2/2007	Bean	

OTHER PUBLICATIONS

Radio Flyer®, Classic Red Wagon model #18 Assembly Instruction Manual, © 2004 Radio Flyer Inc., 4 pages.

Radio Flyer®, Steel & Wood Wagons, printed on Dec. 22, 2008, 2 pages.

* cited by examiner

Primary Examiner—Elizabeth A Albert

Assistant Examiner—Kelley A Donnelly

(74) *Attorney, Agent, or Firm*—Merchant & Gould P.C.

(57) **CLAIM**

The ornamental design for the wagon changing table, as shown and described.

DESCRIPTION

FIG. 1 is a perspective view of a wagon changing table according to the present disclosure;

FIG. 2 is a left side view thereof;

FIG. 3 is a right side view thereof;

FIG. 4 is a front view thereof;

FIG. 5 is a rear view thereof;

FIG. 6 is a top view thereof; and,

FIG. 7 is a bottom view thereof.

The broken lines are for environmental purposes only and form no part of the claimed design.

1 Claim, 6 Drawing Sheets

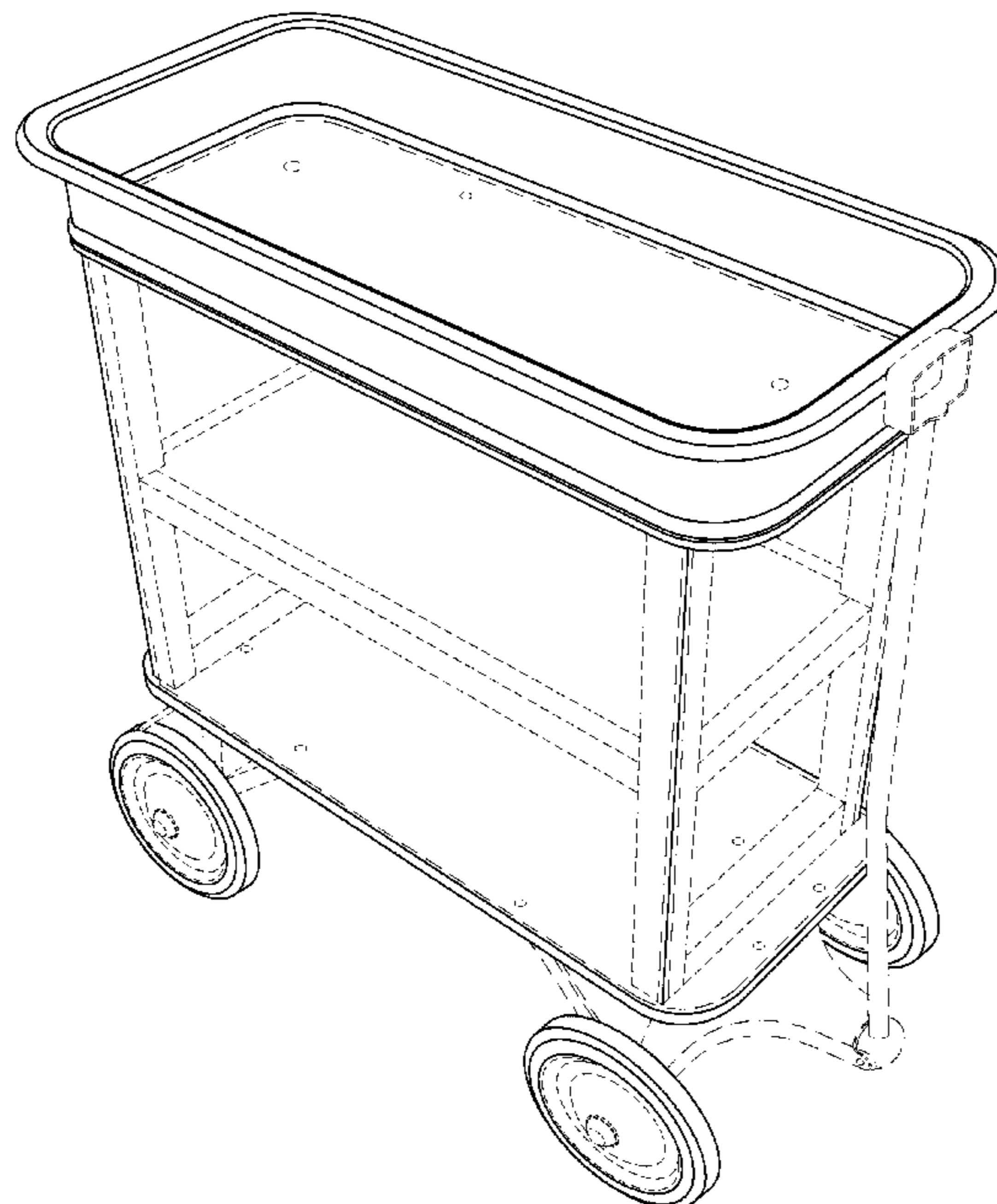
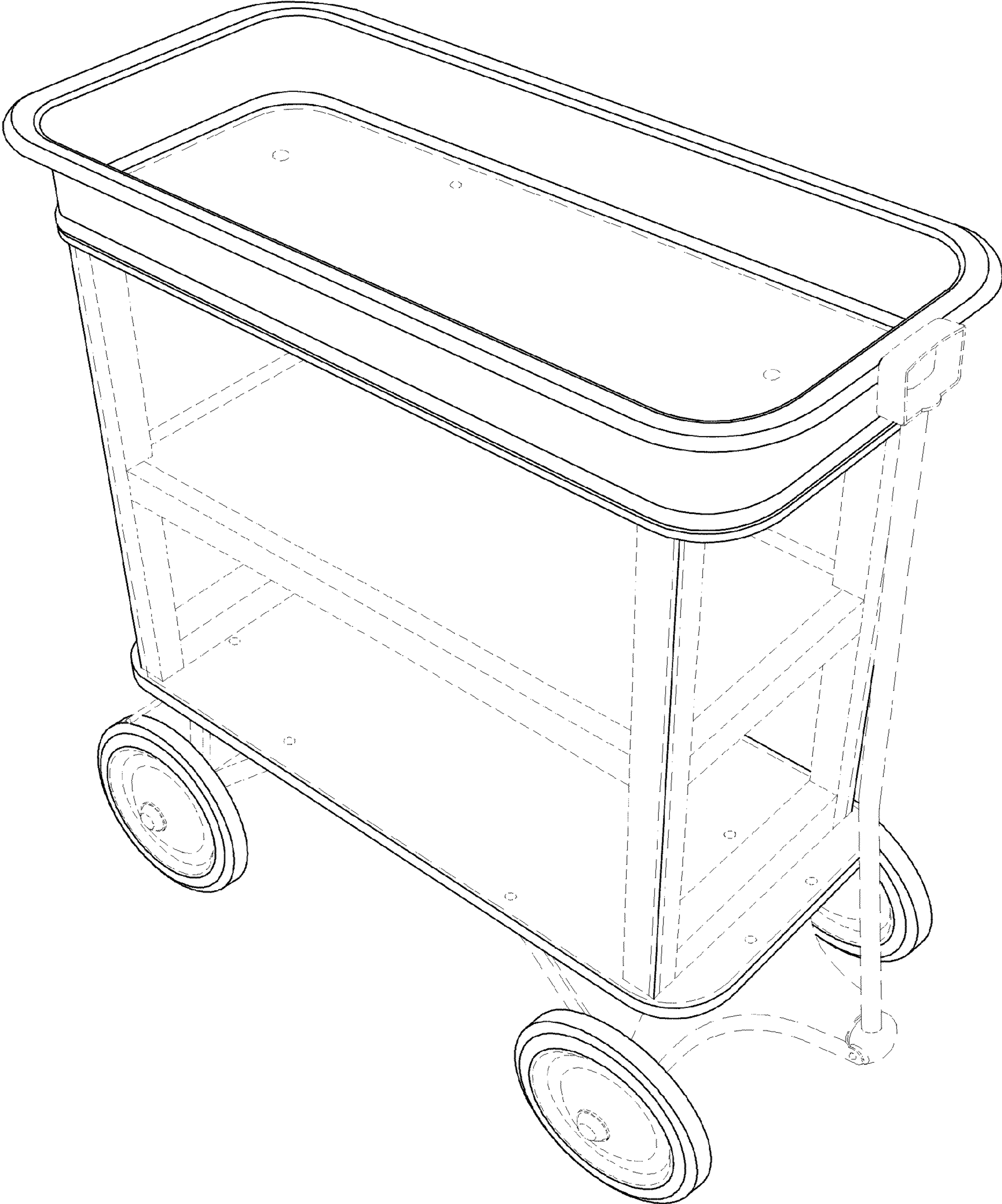


FIG. 1



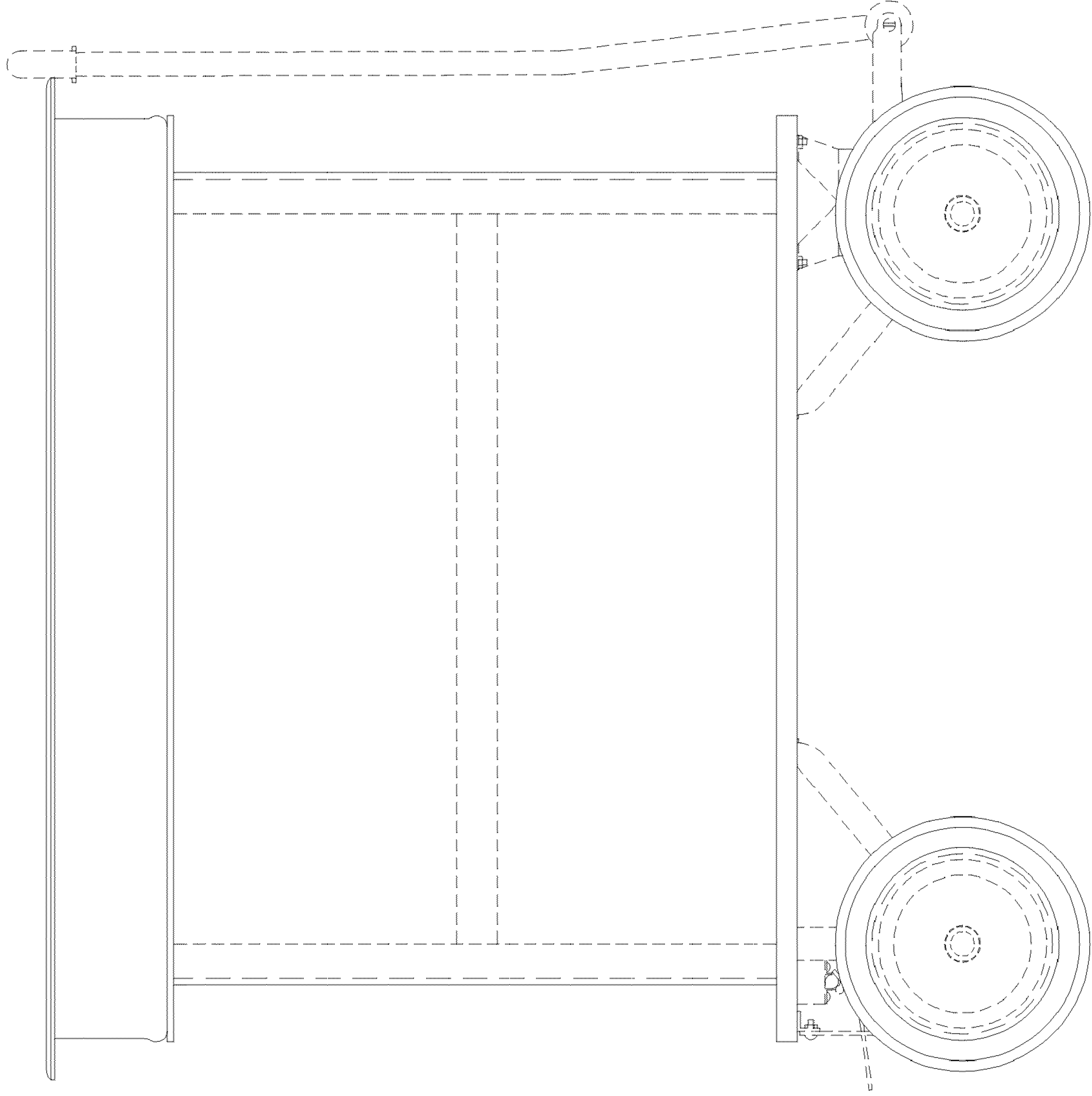


FIG. 2

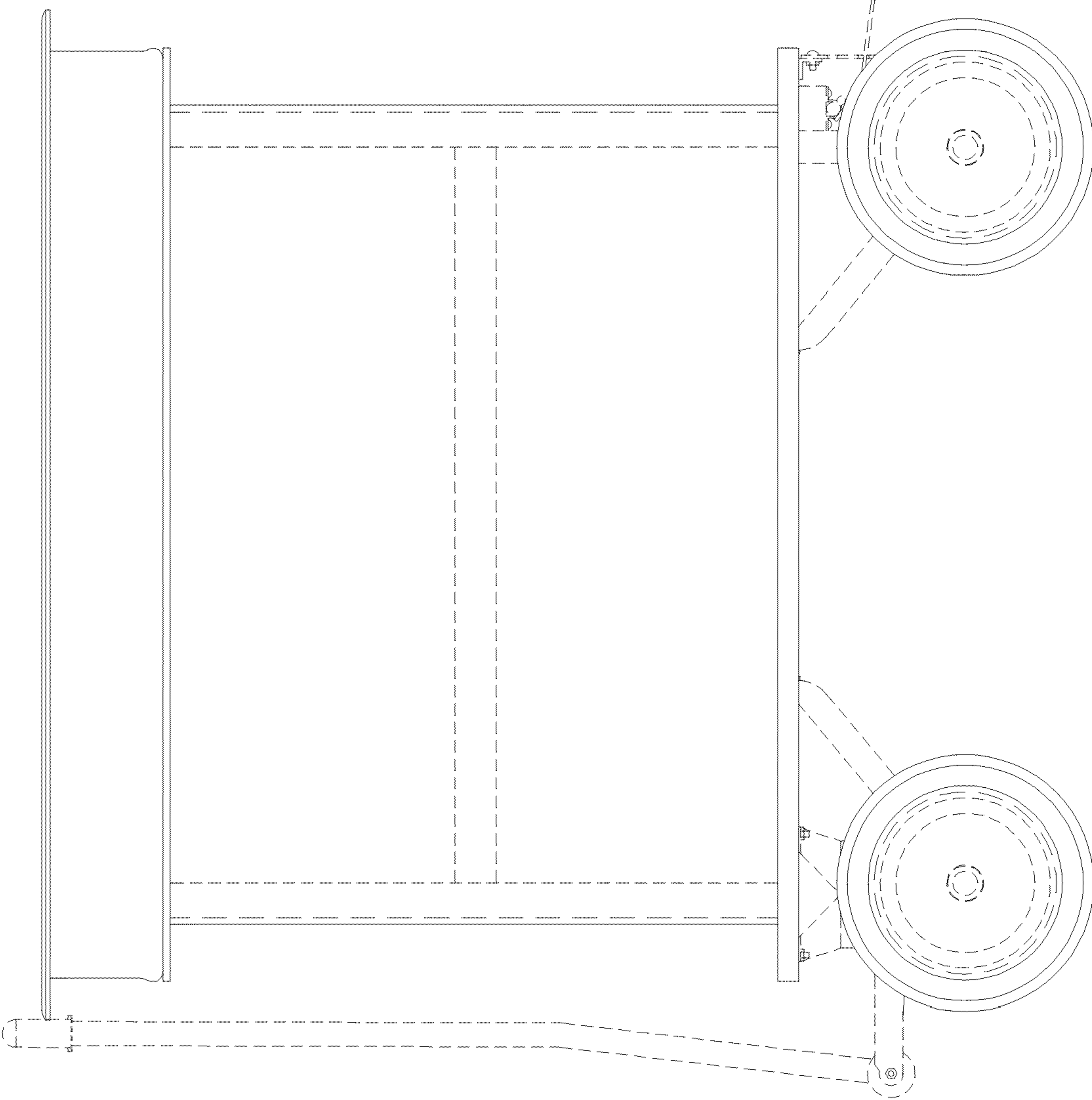


FIG. 3

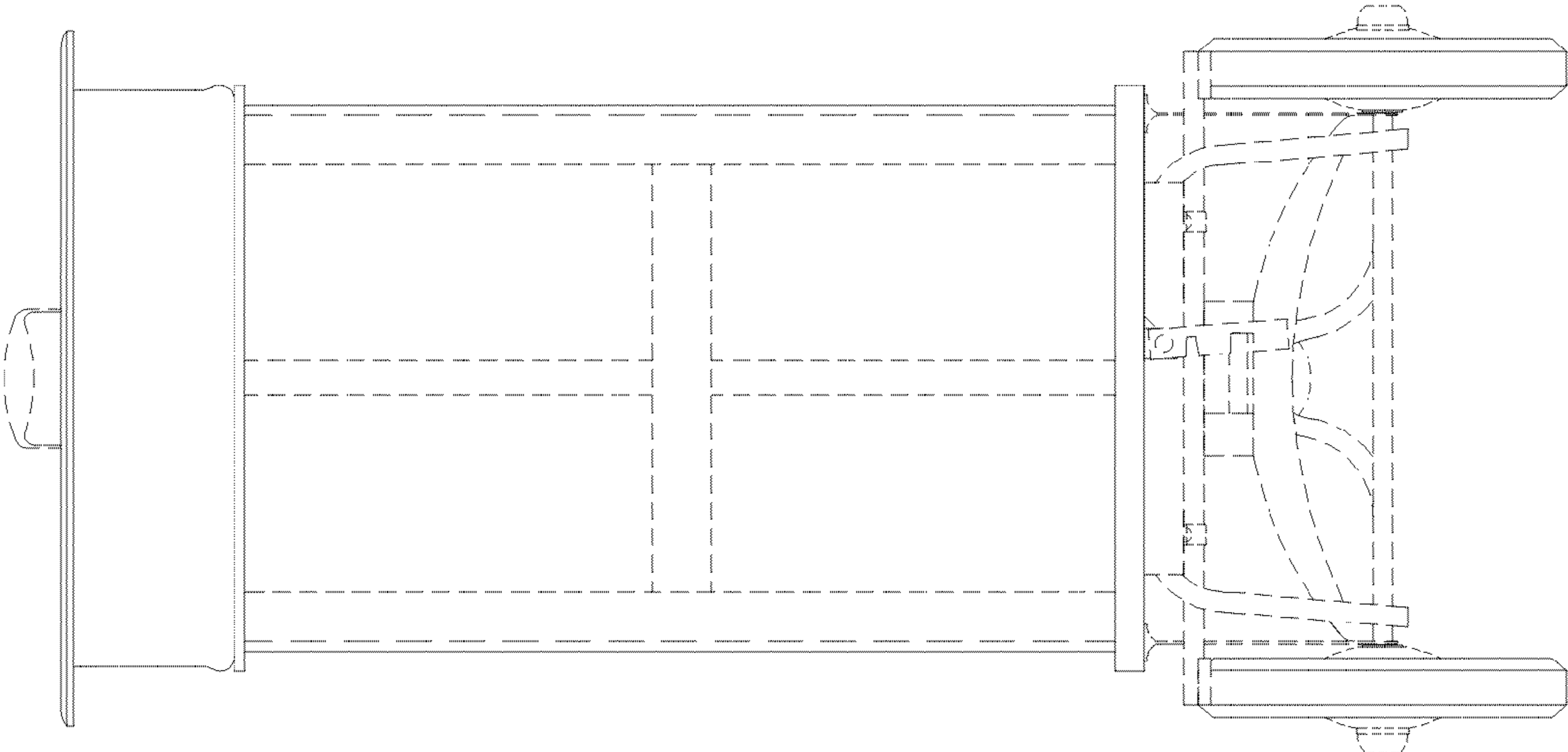


FIG. 5

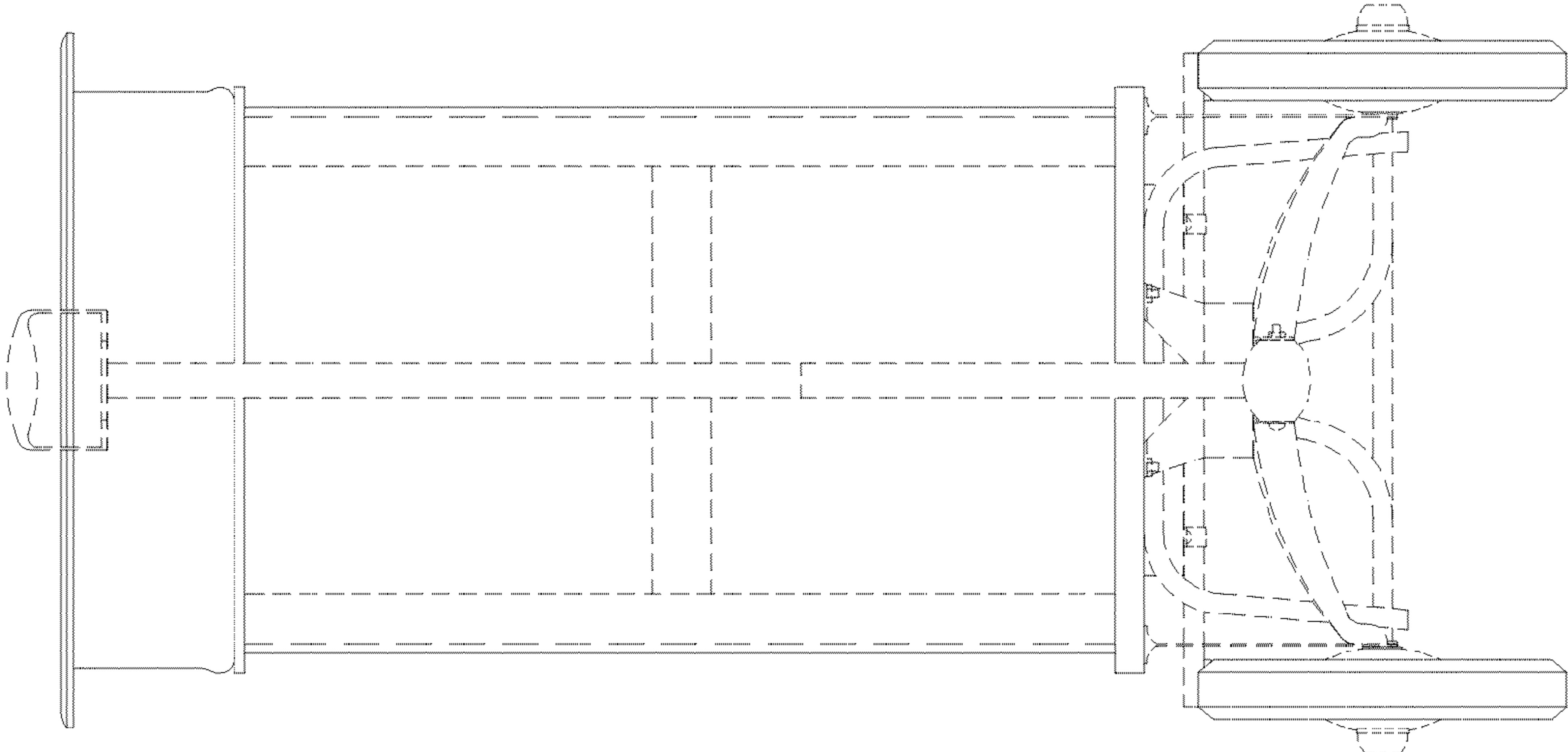


FIG. 4

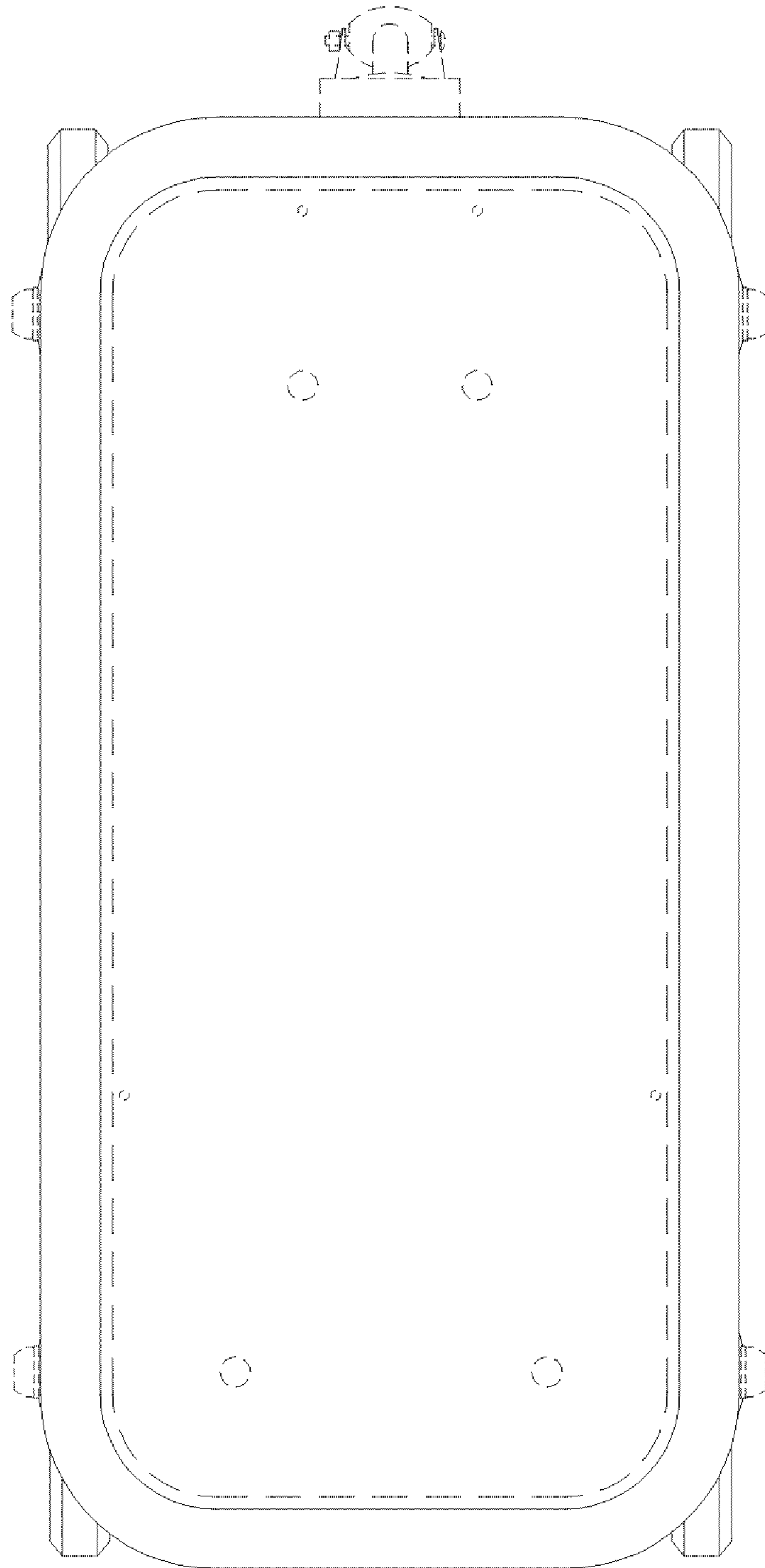


FIG. 6

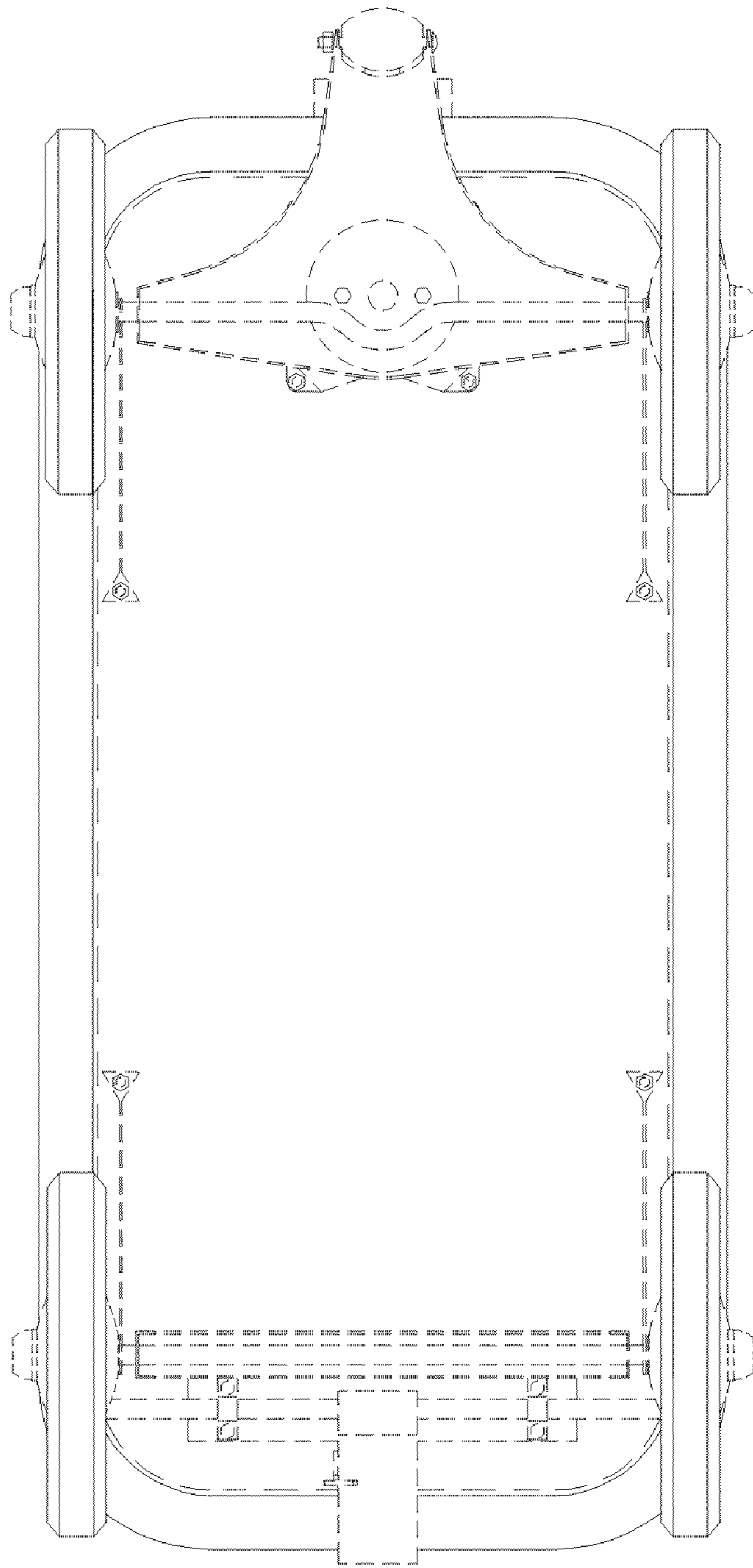


FIG. 7