

US00D608561S

(12) **United States Design Patent**
Chen

(10) **Patent No.:** **US D608,561 S**

(45) **Date of Patent:** **** Jan. 26, 2010**

(54) **BED FRAME**

(75) Inventor: **James Chen**, City of Industry, CA (US)

(73) Assignee: **Acme Furniture**, City of Industry, CA (US)

(**) Term: **14 Years**

(21) Appl. No.: **29/313,808**

(22) Filed: **Feb. 14, 2009**

(51) **LOC (9) Cl.** **06-02**

(52) **U.S. Cl.** **D6/384; D6/393**

(58) **Field of Classification Search** D6/382-384,
D6/388, 392-395, 505-508; 5/53.1, 907,
5/279.1, 280, 281

See application file for complete search history.

(56) **References Cited**

U.S. PATENT DOCUMENTS

- D181,990 S * 1/1958 Lubberts et al. D6/397
- D316,939 S * 5/1991 Chambers, Jr. D6/382
- D369,247 S * 4/1996 Anderson D6/384

- D387,576 S * 12/1997 Tilley D6/384
- D398,422 S * 9/1998 Rooks D30/104
- D486,007 S * 2/2004 Zaidman D6/384
- D495,160 S * 8/2004 Dordoni D6/384

* cited by examiner

Primary Examiner—Janice E Seeger

(74) *Attorney, Agent, or Firm*—Clement Cheng

(57) **CLAIM**

The ornamental design for a bed frame, as shown and described.

DESCRIPTION

FIG. 1 is a perspective view.

FIG. 2 is a front perspective view.

FIG. 3 is a rear side perspective view.

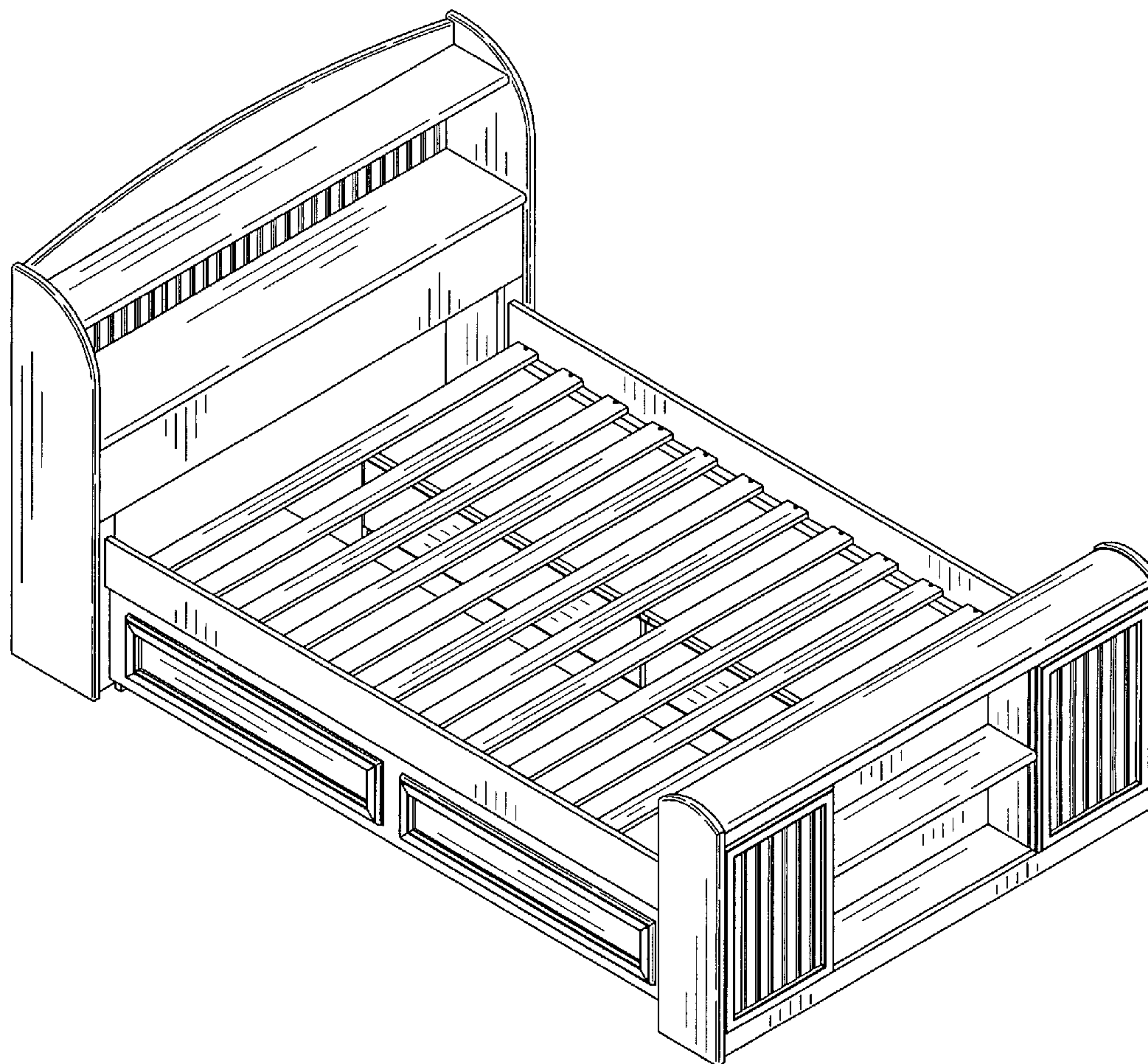
FIG. 4 is a left side perspective view.

FIG. 5 is a right side perspective view.

FIG. 6 is a bottom view; and,

FIG. 7 is a top view.

1 Claim, 6 Drawing Sheets



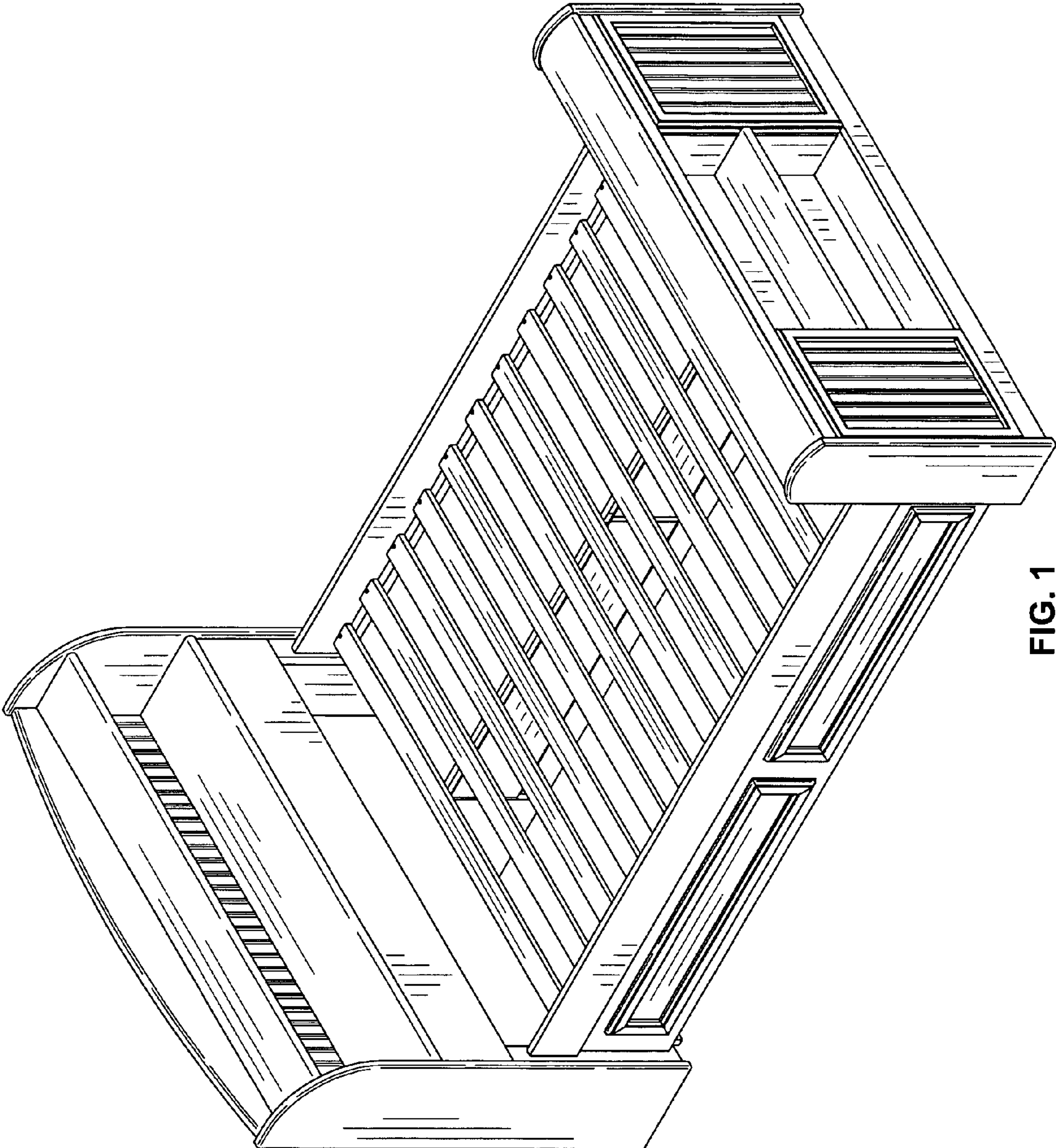


FIG. 1

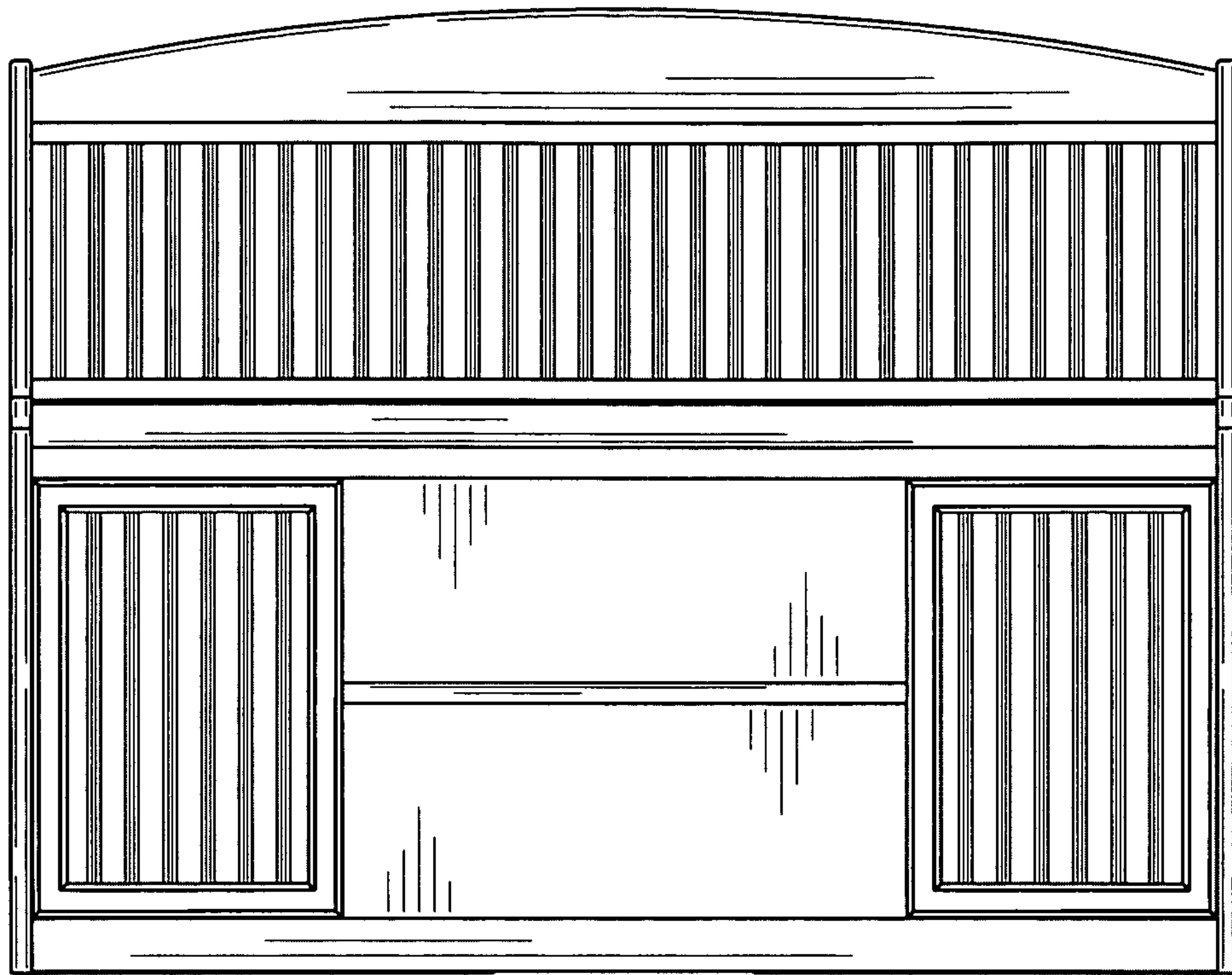


FIG. 2

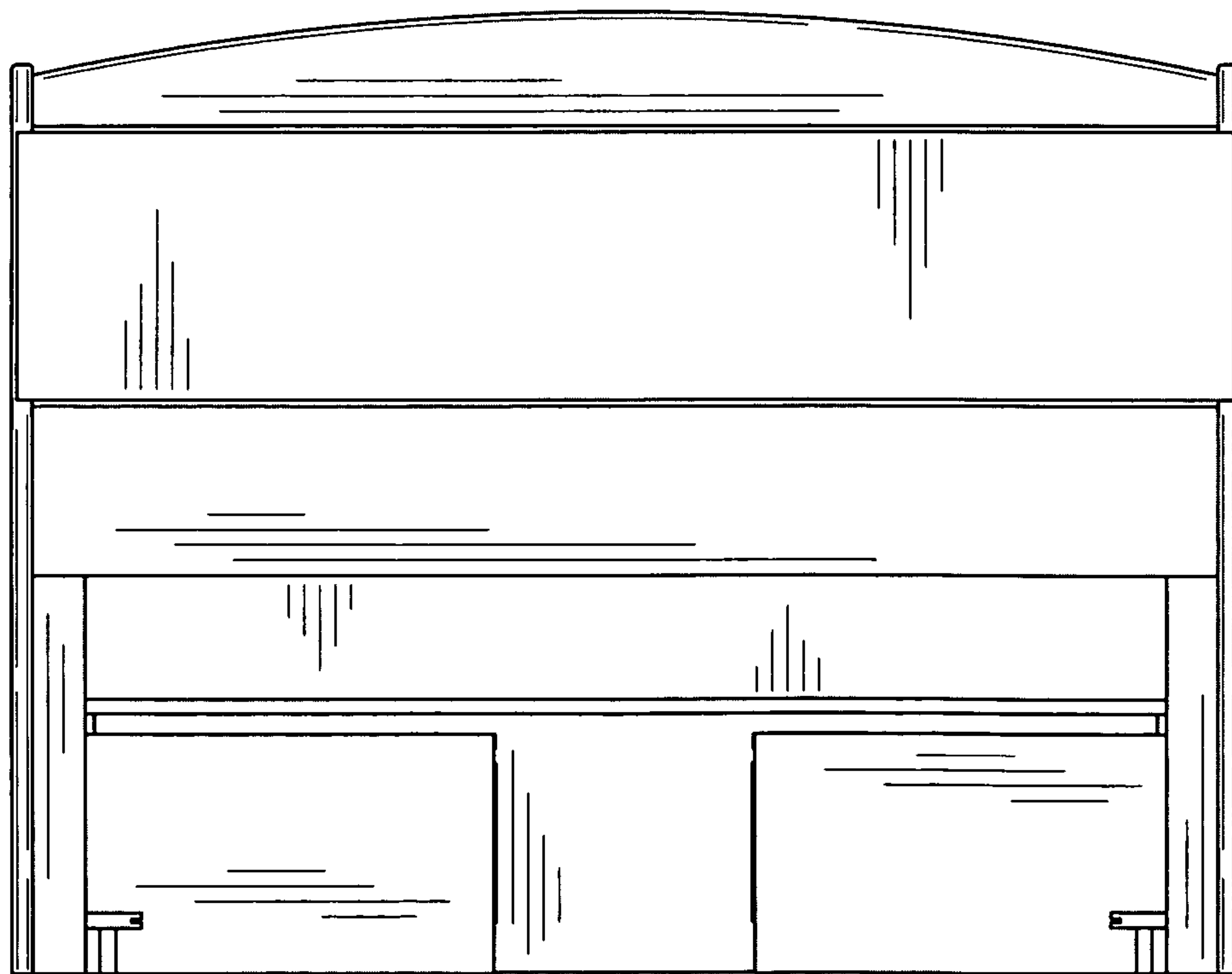


FIG. 3

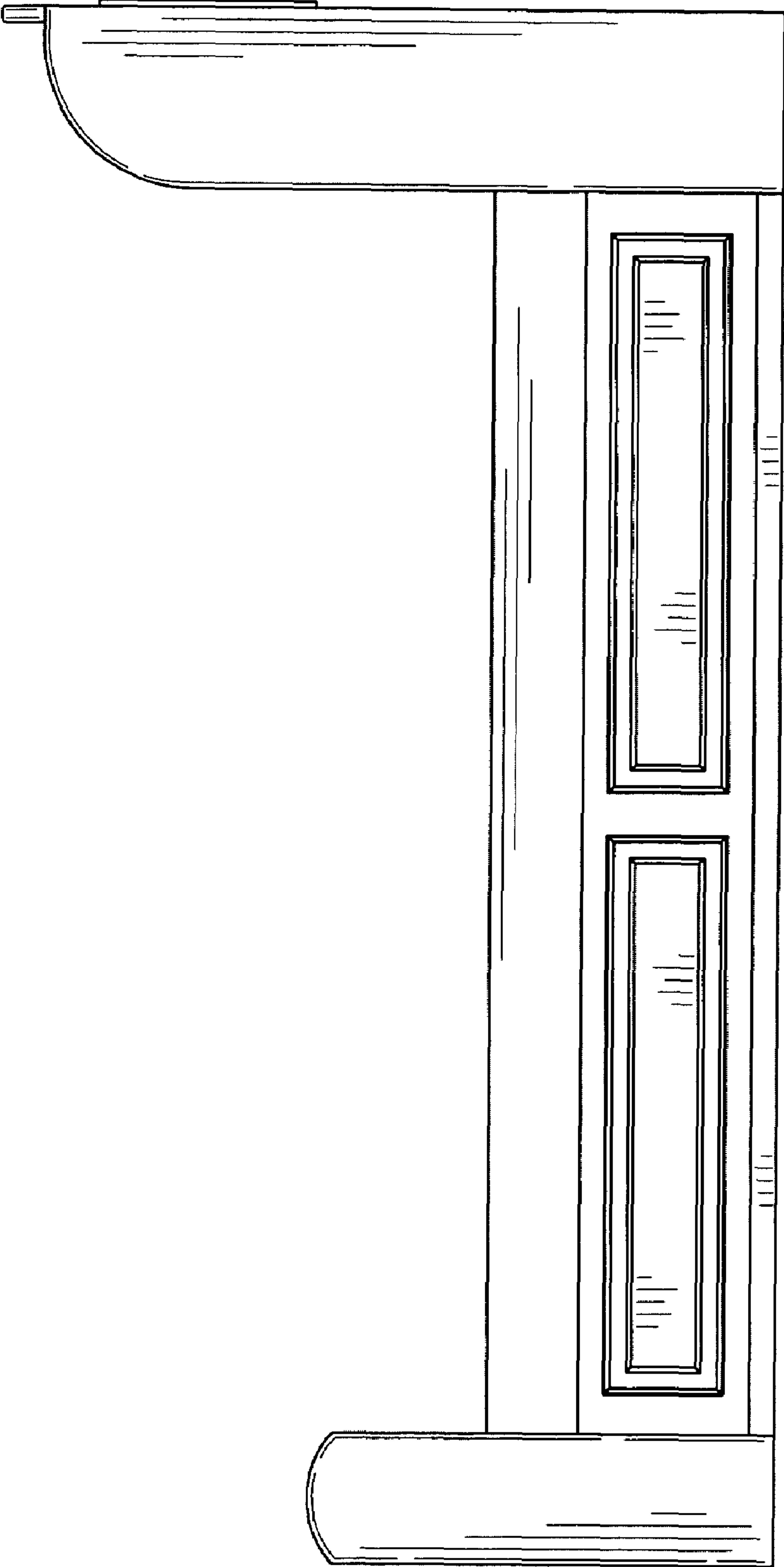


FIG. 4

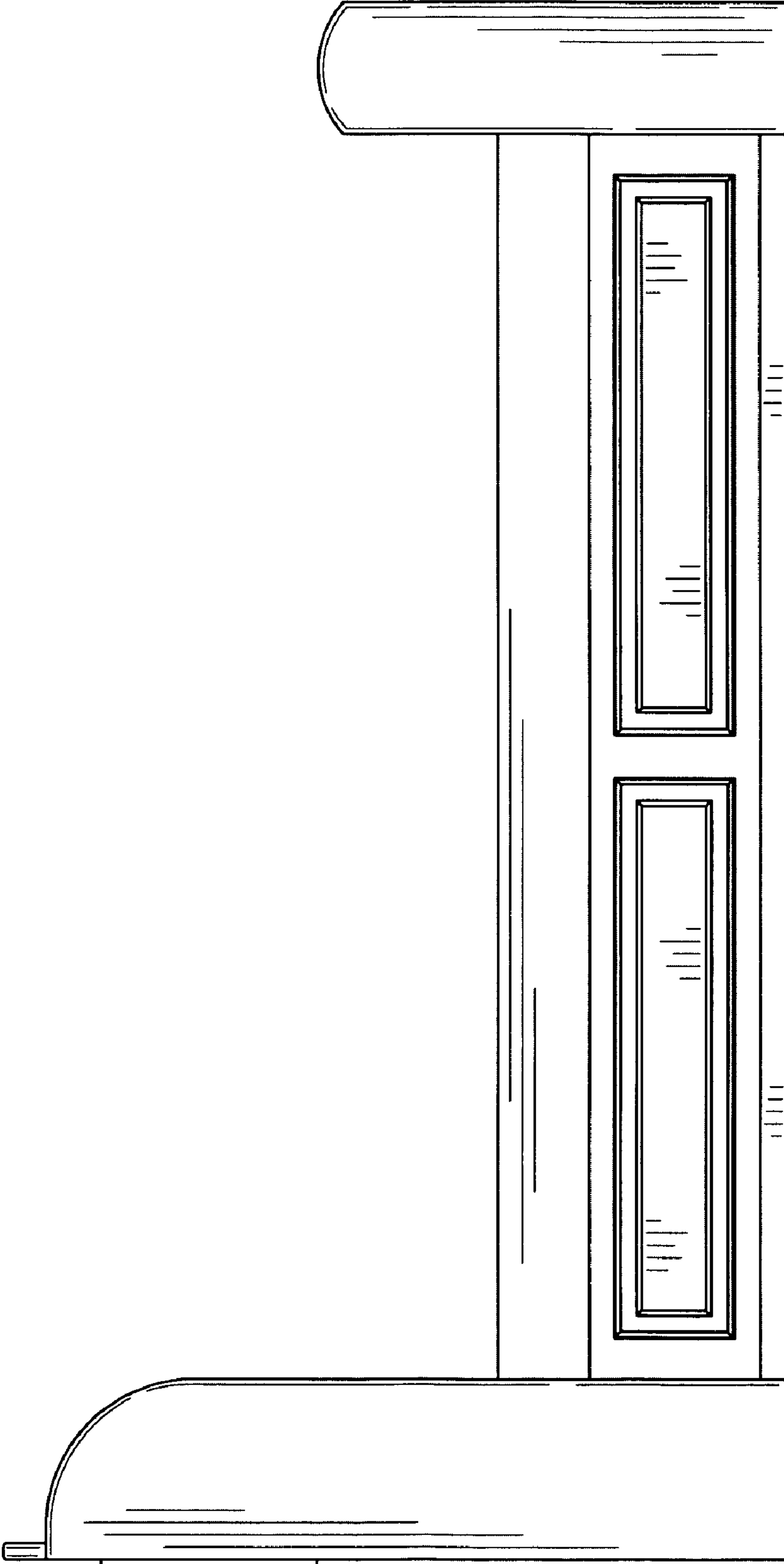


FIG. 5

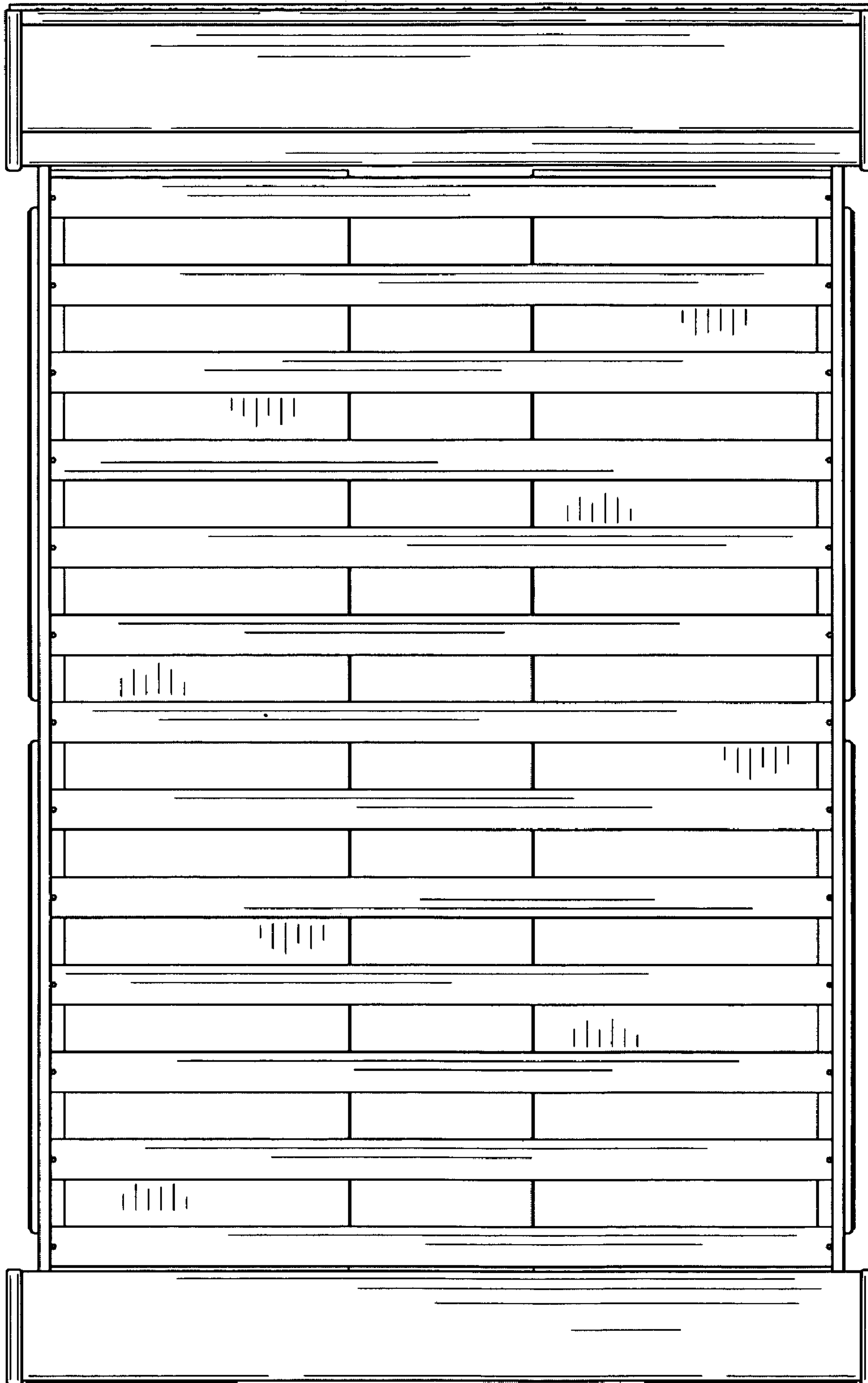


FIG. 6

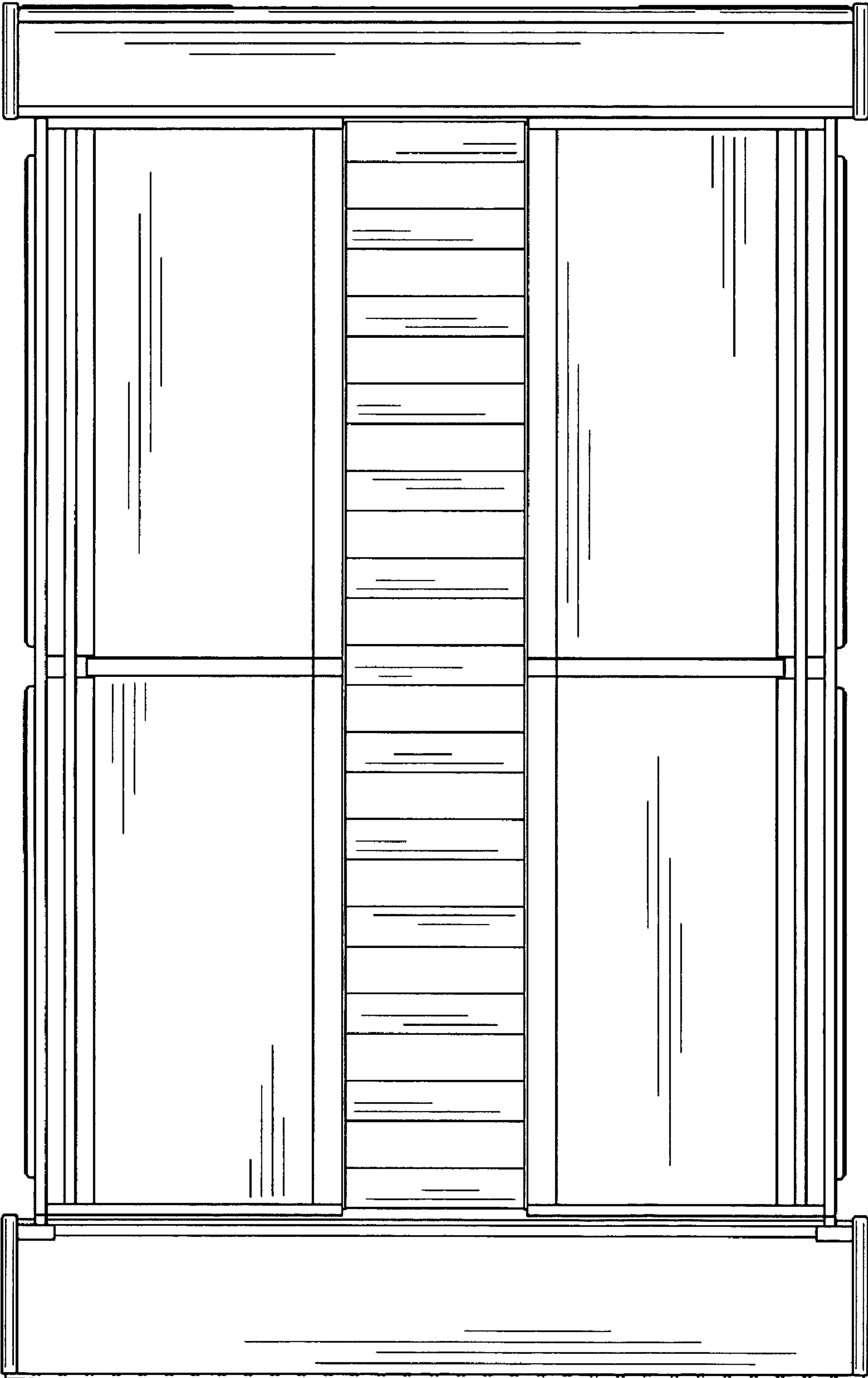


FIG. 7