



US00D608560S

(12) **United States Design Patent**
Chen

(10) **Patent No.:** **US D608,560 S**

(45) **Date of Patent:** **** Jan. 26, 2010**

(54) **BED FRAME**

D369,247 S * 4/1996 Anderson D6/384
D387,576 S * 12/1997 Tilley D6/384
D495,160 S * 8/2004 Dordoni D6/384

(75) Inventor: **James Chen**, City of Industry, CA (US)

(73) Assignee: **Acme Furniture**, City of Industry, CA (US)

* cited by examiner

Primary Examiner—Janice E Seeger

(74) *Attorney, Agent, or Firm*—Clement Cheng

(**) Term: **14 Years**

(21) Appl. No.: **29/313,807**

(57) **CLAIM**

(22) Filed: **Feb. 14, 2009**

The ornamental design for a bed frame, as shown and described.

(51) **LOC (9) Cl.** **06-02**

(52) **U.S. Cl.** **D6/384; D6/393**

(58) **Field of Classification Search** D6/382–384,
D6/388, 392–395, 505–508; 5/53.1, 907,
5/279.1, 280, 281

See application file for complete search history.

DESCRIPTION

FIG. 1 is a perspective view.

FIG. 2 is a front perspective view.

FIG. 3 is a rear side perspective view.

FIG. 4 is a left side perspective view.

FIG. 5 is a right side perspective view.

FIG. 6 is a bottom view; and,

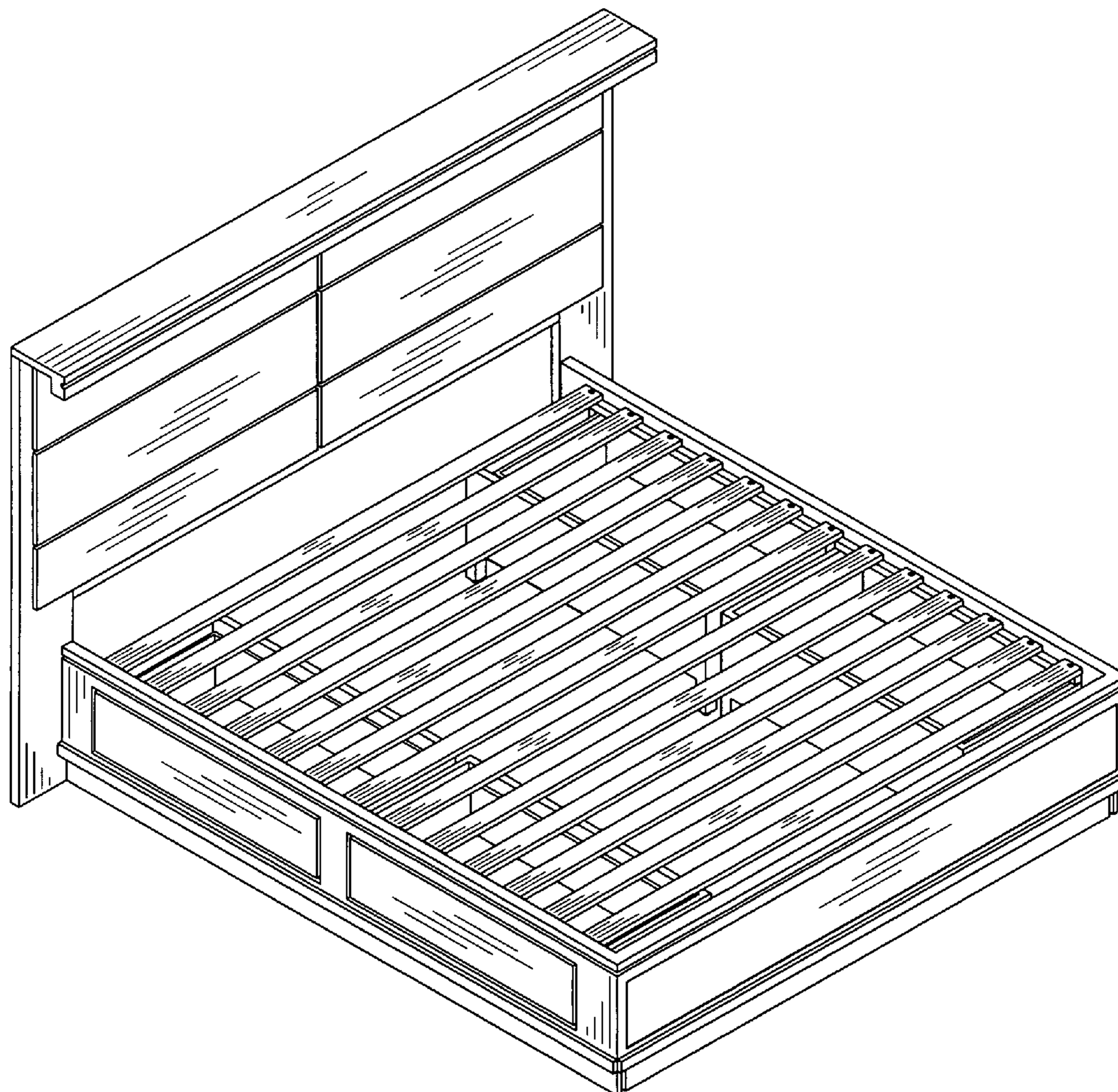
FIG. 7 is a top view.

(56) **References Cited**

U.S. PATENT DOCUMENTS

D178,851 S * 9/1956 Von Koert D6/393
D316,939 S * 5/1991 Chambers, Jr. D6/382
D341,498 S * 11/1993 Ball D6/393

1 Claim, 6 Drawing Sheets



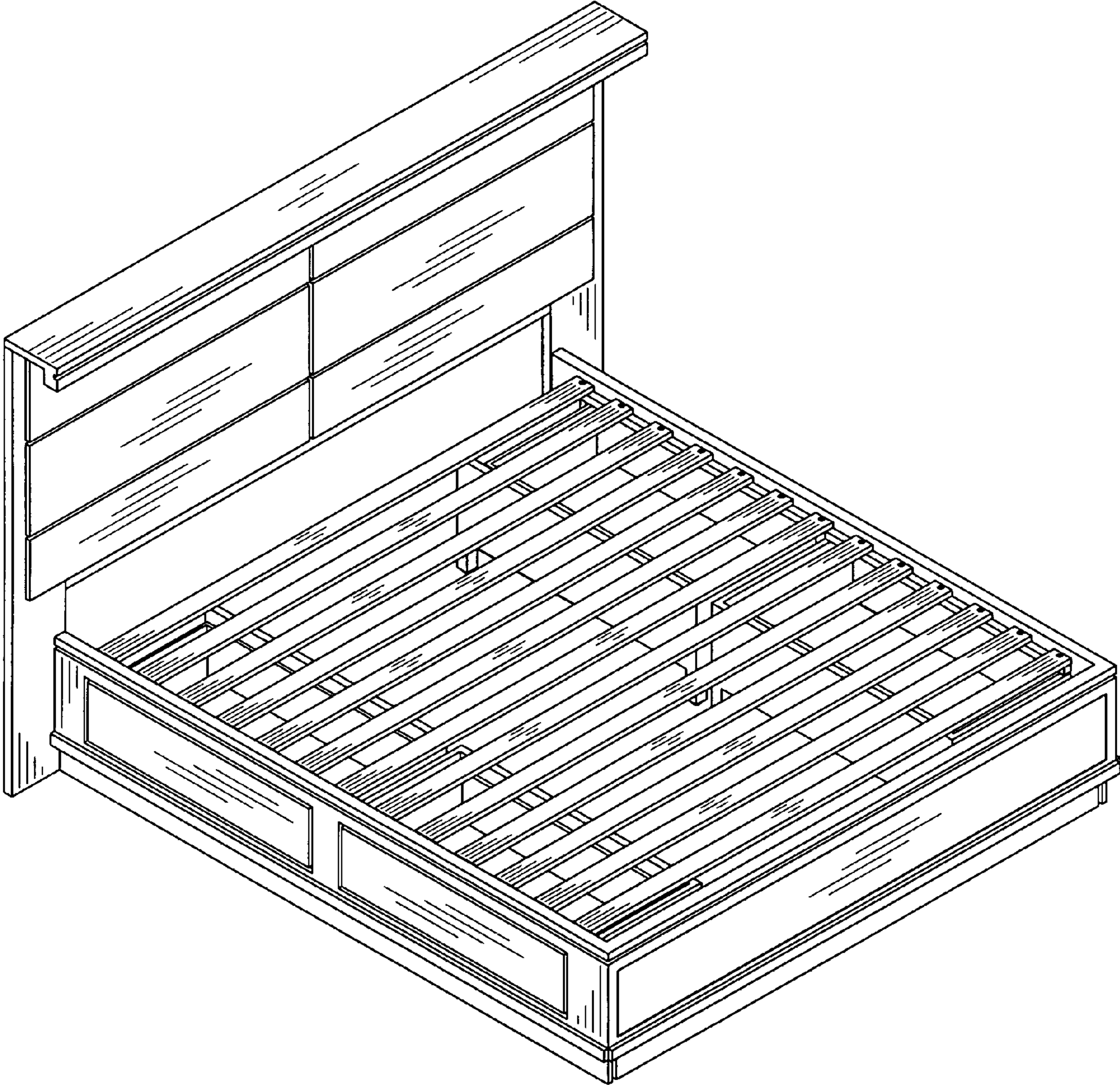


FIG. 1

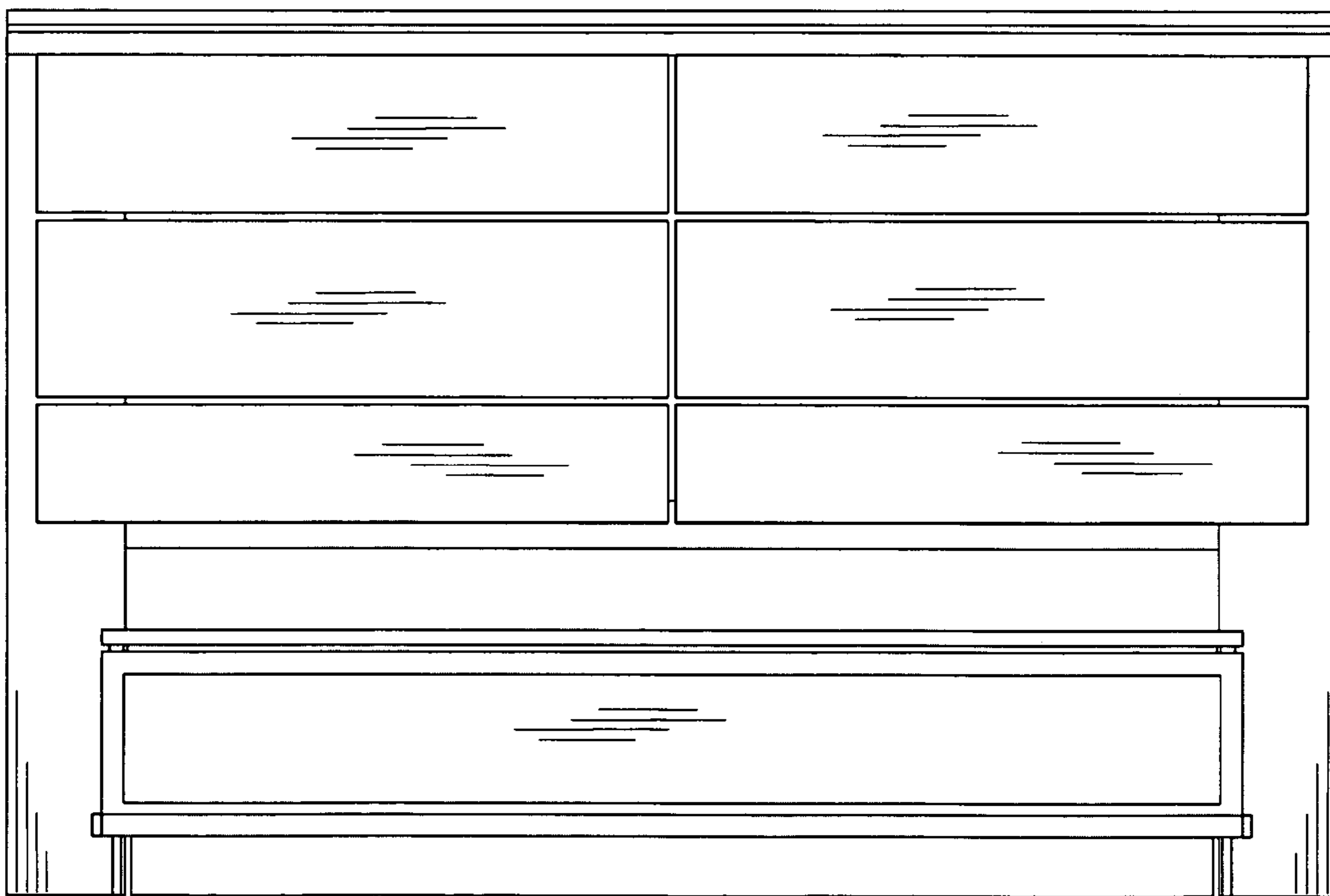


FIG. 2



FIG. 3

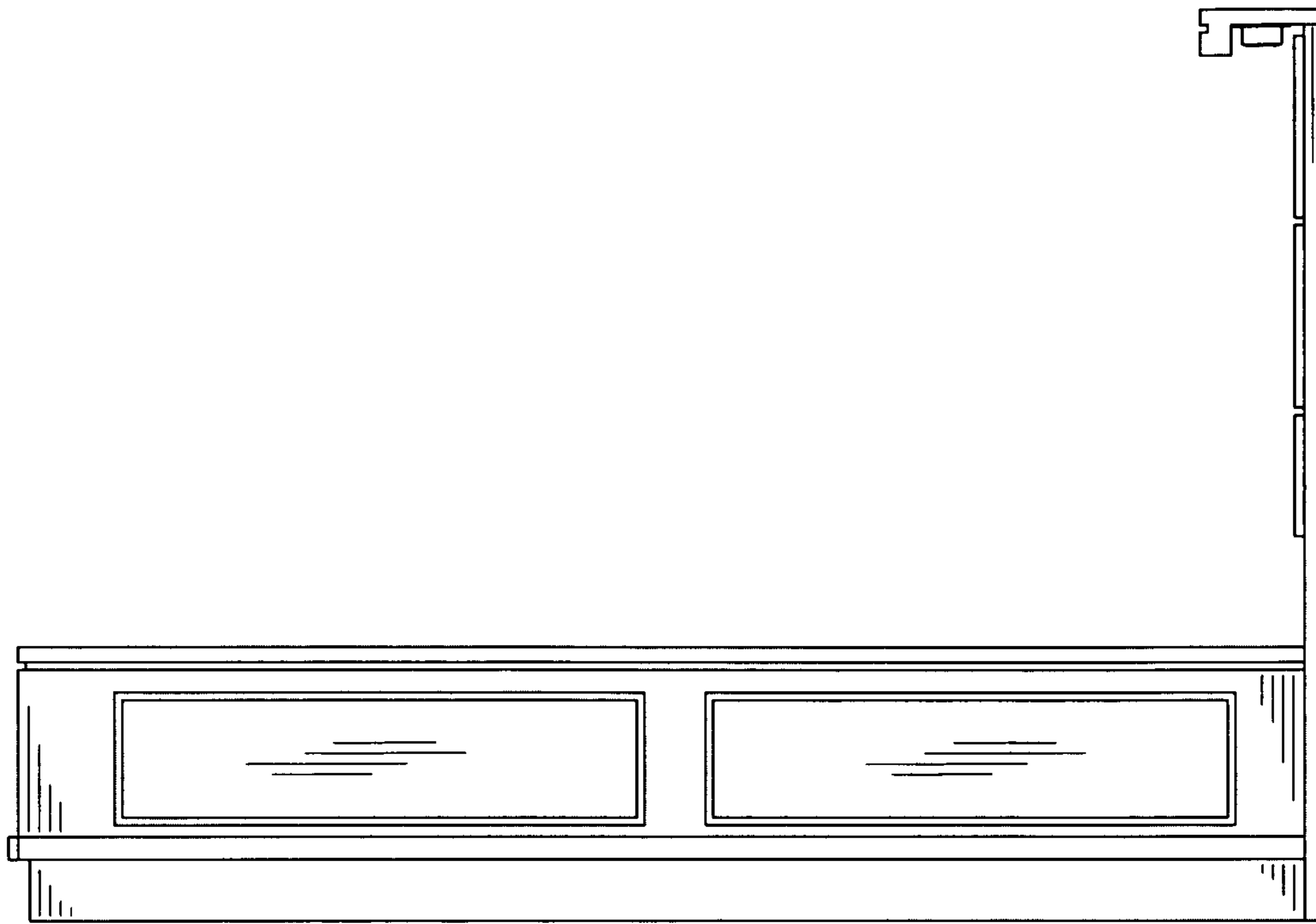


FIG. 4

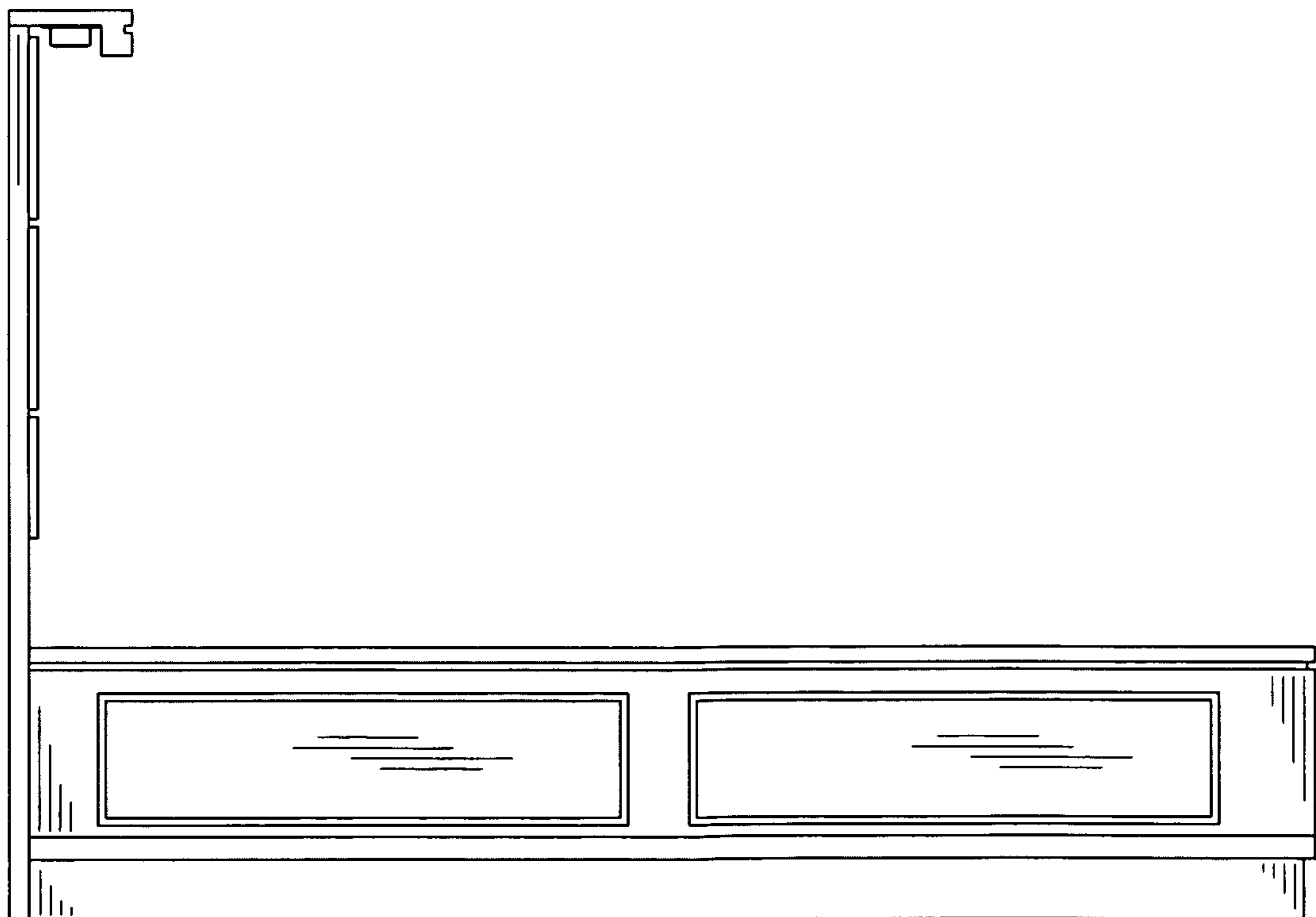


FIG. 5

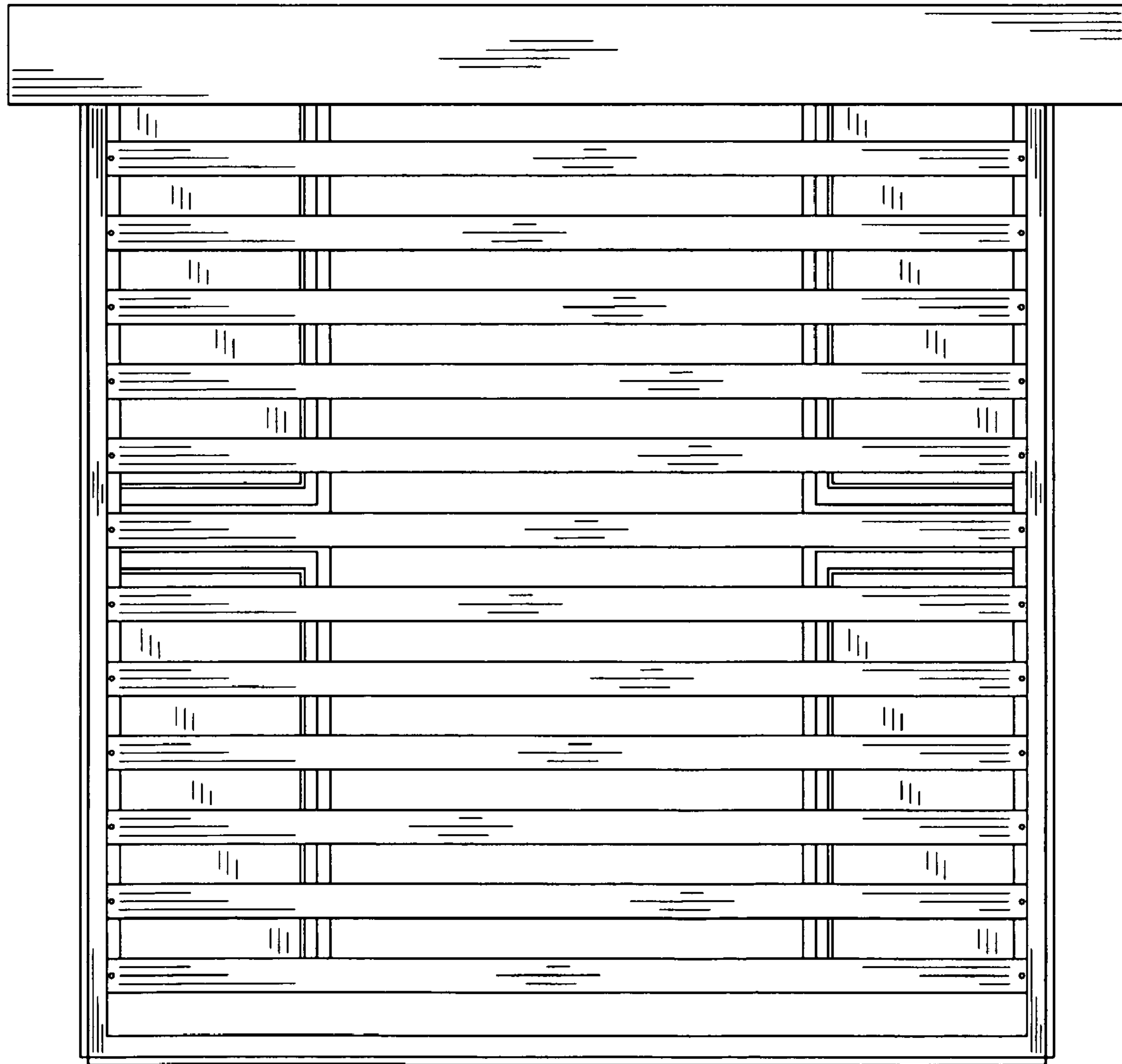


FIG. 6

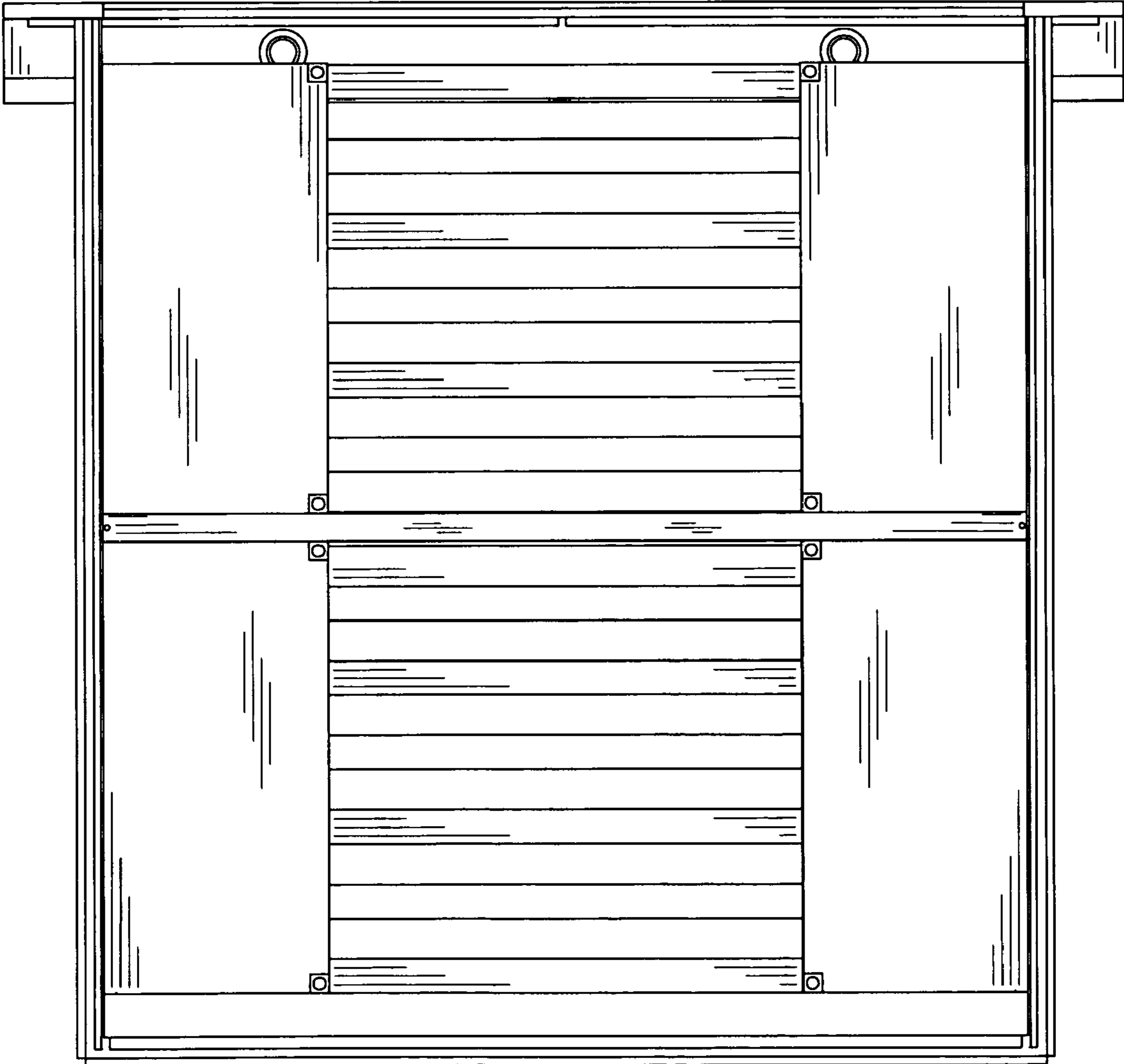


FIG. 7