

US00D608558S

(12) **United States Design Patent**  
**Rush**

(10) **Patent No.:** **US D608,558 S**

(45) **Date of Patent:** **\*\* Jan. 26, 2010**

(54) **MECHANIC'S SHOP STOOL**

(76) Inventor: **Garland Rush**, 43 Vineyard Cir.,  
Sonoma, CA (US) 95475

(\*\*) Term: **14 Years**

(21) Appl. No.: **29/338,213**

(22) Filed: **Jun. 8, 2009**

(51) **LOC (9) Cl.** ..... **06-01**

(52) **U.S. Cl.** ..... **D6/367**

(58) **Field of Classification Search** ..... D6/334-336,  
D6/340, 349, 351, 352, 353, 354, 366, 367,  
D6/368, 379, 380, 499, 500-502; 297/156,  
297/195.1, 195.11, 219.11, 344.18, 452.2;  
D34/23; D12/111

See application file for complete search history.

(56) **References Cited**

**U.S. PATENT DOCUMENTS**

3,220,771 A \* 11/1965 Doss, Sr. .... 297/156  
D261,450 S \* 10/1981 Jenkins ..... D6/354  
D275,156 S \* 8/1984 Carlin ..... D6/354  
D293,049 S \* 12/1987 Opsvik ..... D6/366

D337,216 S \* 7/1993 Boyd ..... D6/373  
D365,935 S \* 1/1996 Dallas ..... D6/367  
D433,854 S \* 11/2000 Diffrient ..... D6/502  
D463,143 S \* 9/2002 Riddle ..... D6/336  
D531,423 S \* 11/2006 Whiteside et al. .... D6/367

\* cited by examiner

*Primary Examiner*—Mimosa De

(74) *Attorney, Agent, or Firm*—Larry D. Johnson

(57) **CLAIM**

The ornamental design for a mechanic's shop stool, as shown and described.

**DESCRIPTION**

FIG. 1 is a front perspective view;

FIG. 2 is a front view;

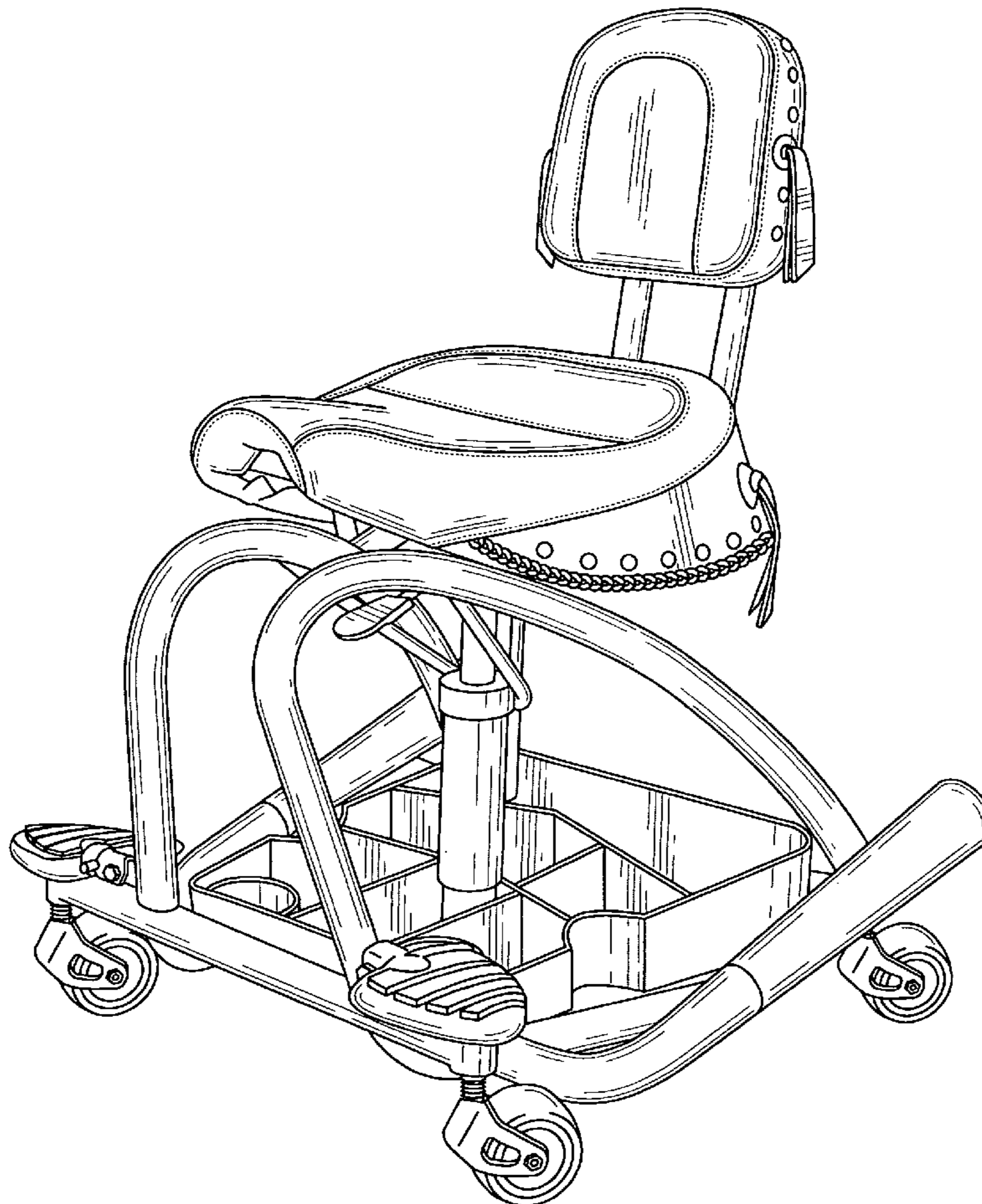
FIG. 3 is a back view;

FIG. 4 is a left side view, the right side view being a mirror image thereof;

FIG. 5 is a bottom view; and,

FIG. 6 is a top view.

**1 Claim, 6 Drawing Sheets**



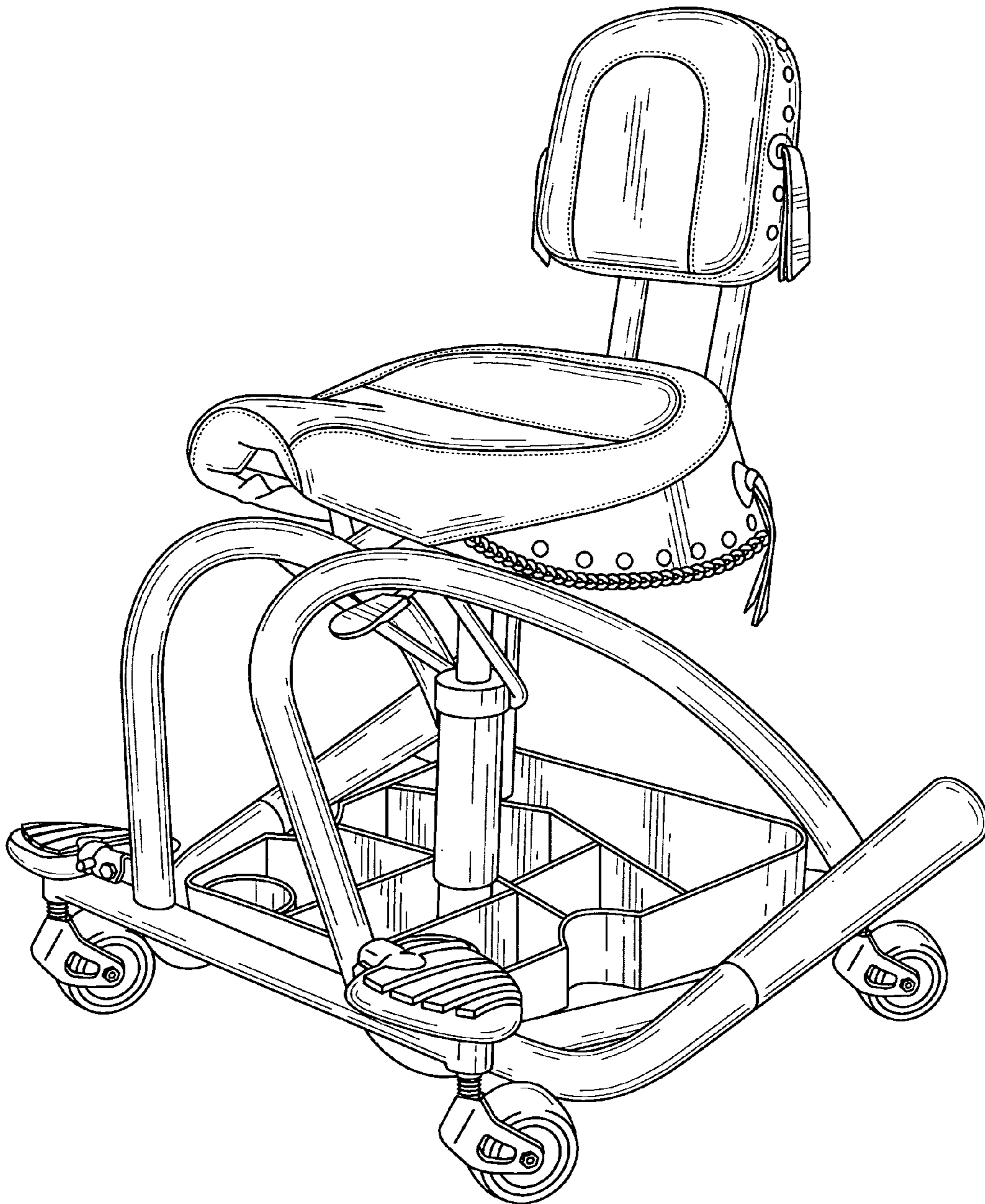


FIG. 1

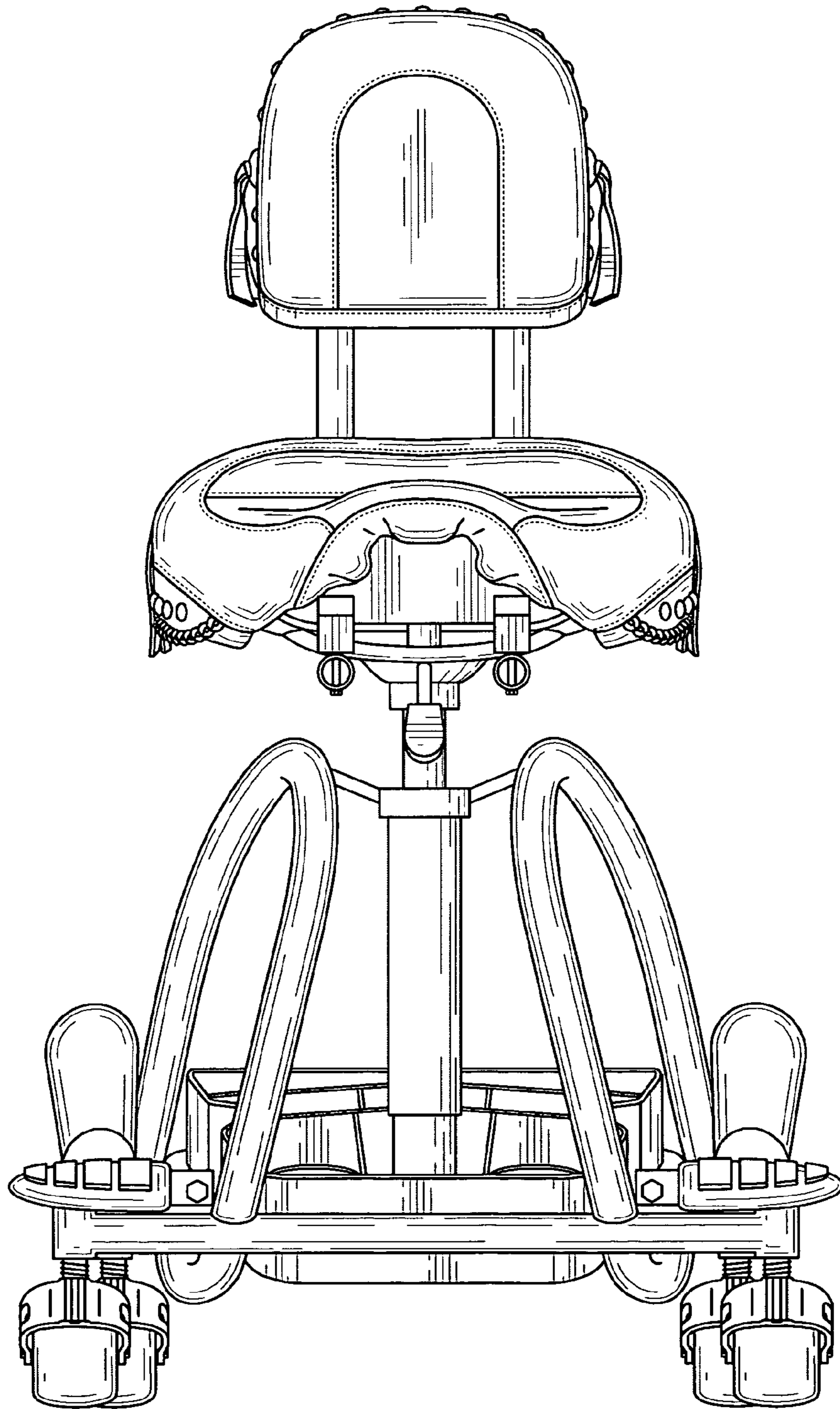


FIG. 2

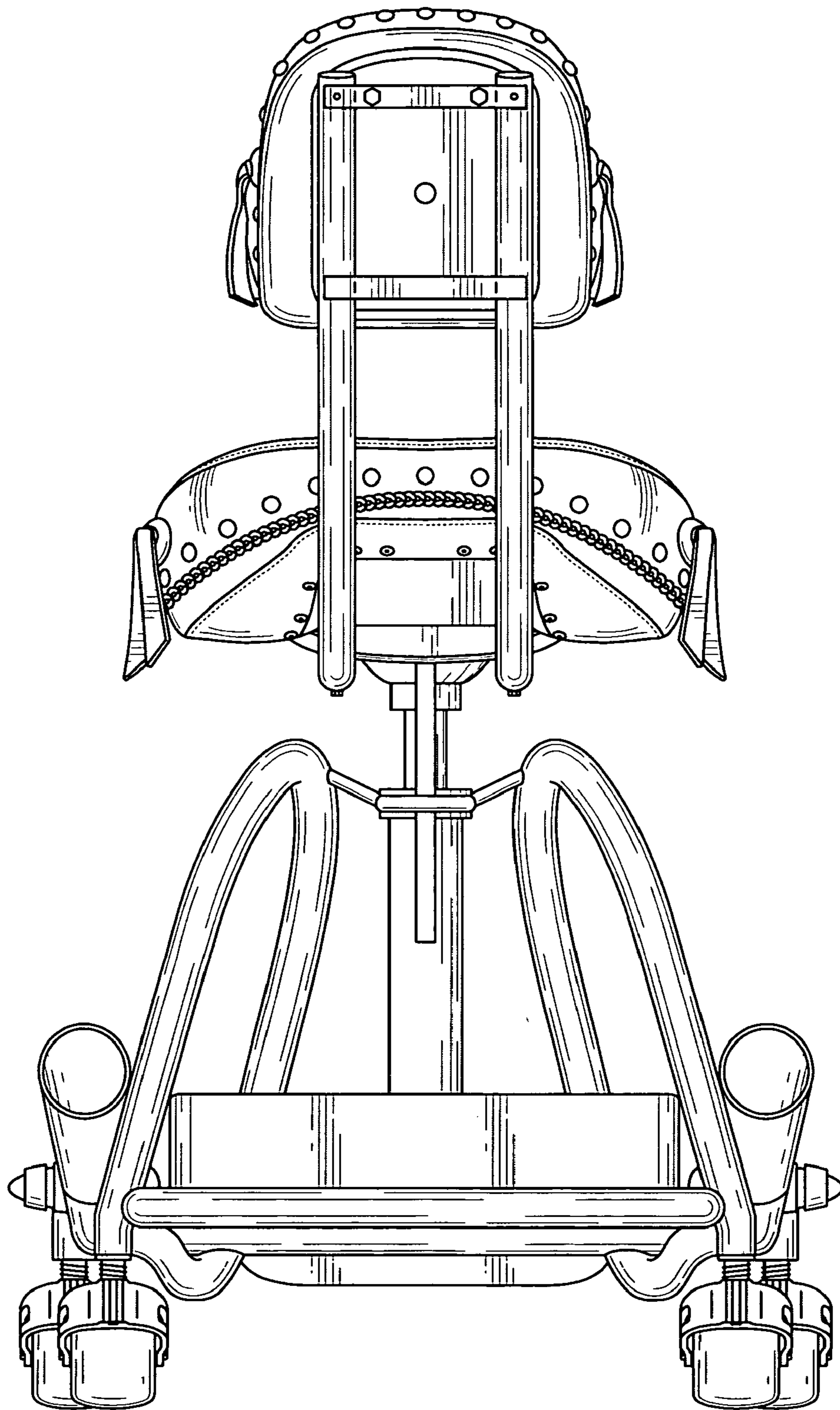


FIG. 3

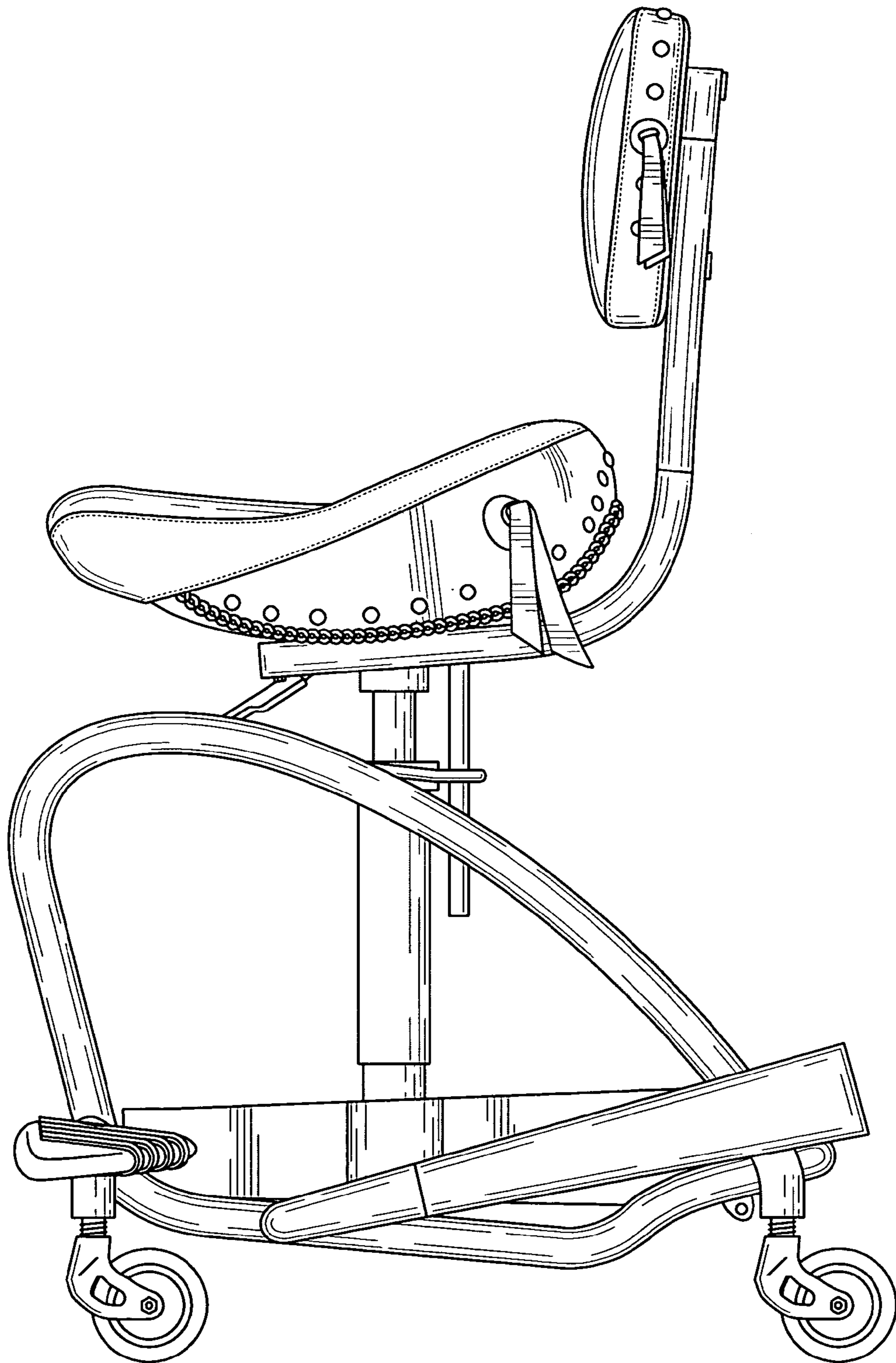


FIG. 4

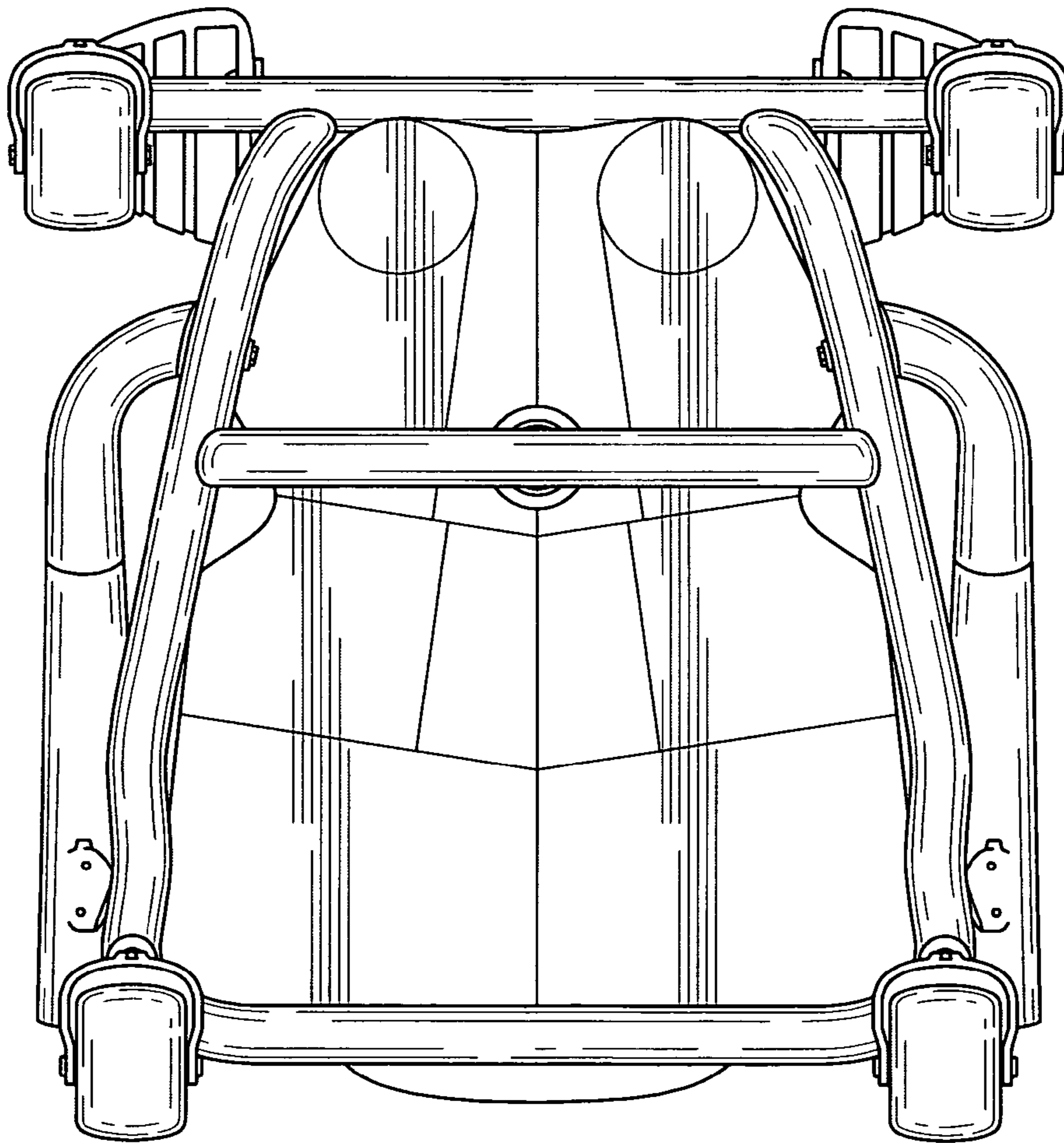


FIG. 5

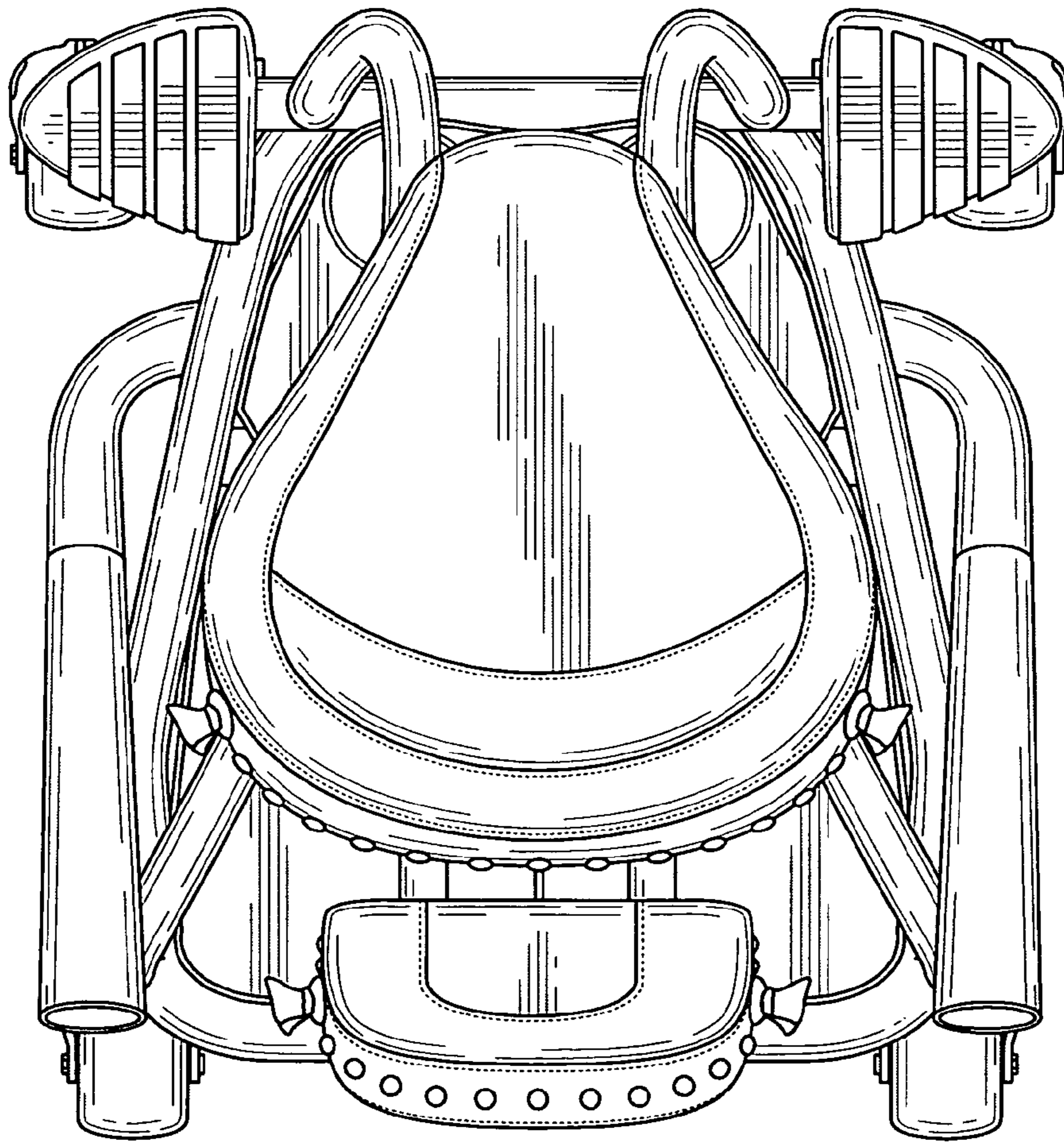


FIG. 6