



US00D608557S

(12) **United States Design Patent**
Maeyama

(10) **Patent No.:** **US D608,557 S**
(45) **Date of Patent:** **** Jan. 26, 2010**

(54) **OFFICE CHAIR**

(75) Inventor: **Tadanori Maeyama**, Tokyo (JP)

(73) Assignee: **Aishin Co., Ltd.**, Tokyo (JP)

(**) Term: **14 Years**

(21) Appl. No.: **29/334,529**

(22) Filed: **Mar. 27, 2009**

(51) **LOC (9) Cl.** **06-04**

(52) **U.S. Cl.** **D6/366**

(58) **Field of Classification Search** D6/334-336,
D6/356, 364, 365, 366, 367, 368, 374, 500-502;
297/217.4, 411.27, 411.45, 411.46, 452.21,
297/452.29, 452.32, 452.35, 452.36, 452.48
See application file for complete search history.

(56) **References Cited**

U.S. PATENT DOCUMENTS

D212,881 S *	12/1968	Duern	D6/335
D227,829 S *	7/1973	Klose	D6/366
4,868,888 A *	9/1989	Dayton	297/217.4
D327,585 S *	7/1992	Hollington	D6/366
D330,810 S *	11/1992	Stafford	D6/366
D402,480 S *	12/1998	Stafford	D6/366
D543,716 S *	6/2007	Votteler et al.	D6/366
D557,532 S *	12/2007	True et al.	D6/501
D560,918 S *	2/2008	Fuksas	D6/366

D572,029 S *	7/2008	Bouroullec et al.	D6/366
D575,562 S *	8/2008	Loudon	D6/500
2008/0073953 A1 *	3/2008	Tamara	297/217.4
2008/0111408 A1 *	5/2008	Duran et al.	297/217.4

* cited by examiner

Primary Examiner—Mimosa De

(74) *Attorney, Agent, or Firm*—Ronald E. Greigg

(57) **CLAIM**

The ornamental design for an office chair, as shown and described.

DESCRIPTION

FIG. 1 is a front view of an office chair showing my new design;

FIG. 2 is a top plan view thereof;

FIG. 3 is a right side view thereof;

FIG. 4 is a back view thereof;

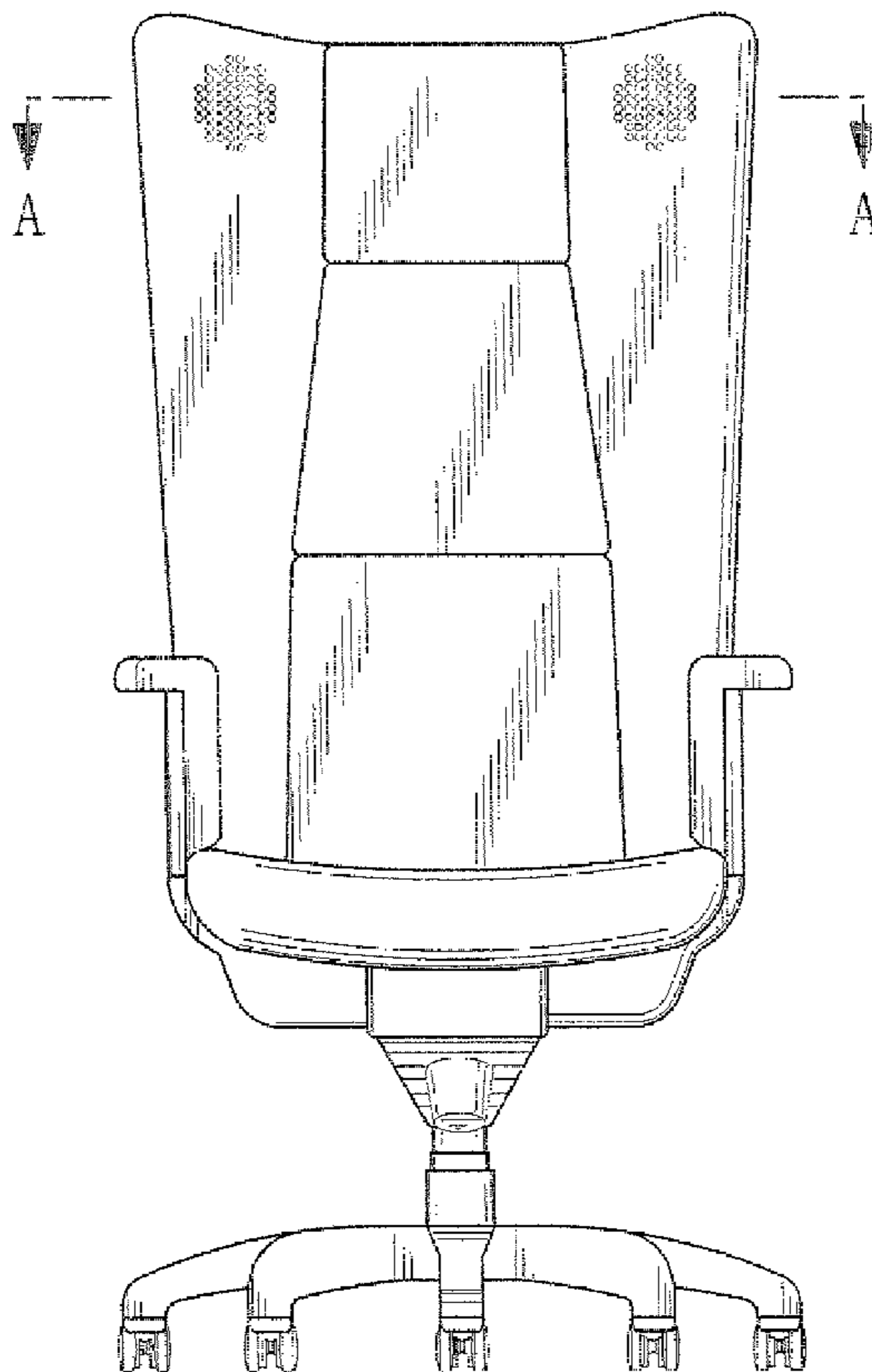
FIG. 5 is an bottom view thereof;

FIG. 6 is a sectional end view along line A—A of FIG. 1 thereof; and,

FIG. 7 is a front view showing an amplifier accessory installed thereon.

The broken lines shown in FIG. 7 are for environmental structure only and form no part of the claimed design.

1 Claim, 7 Drawing Sheets



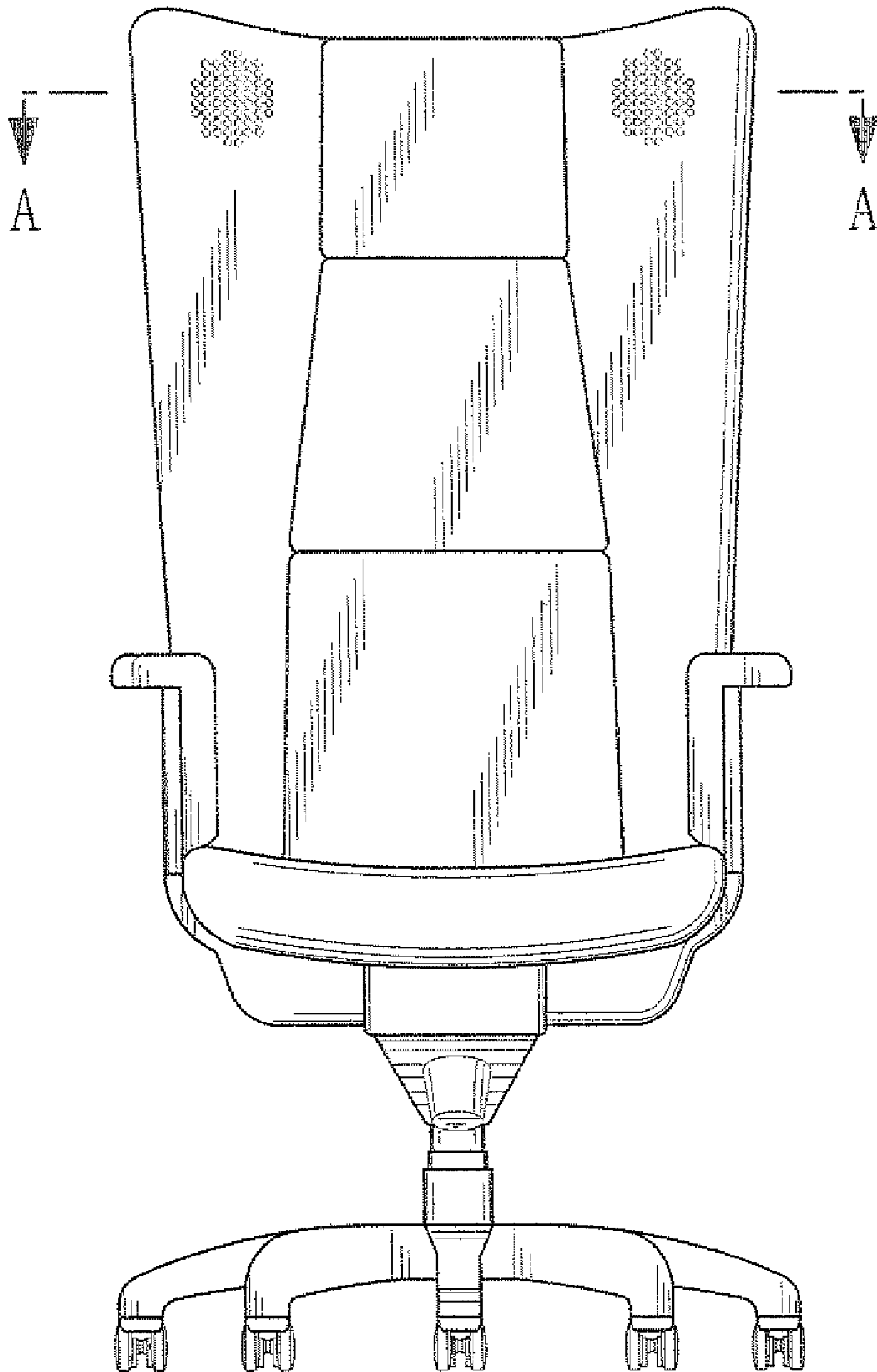


FIG. 1

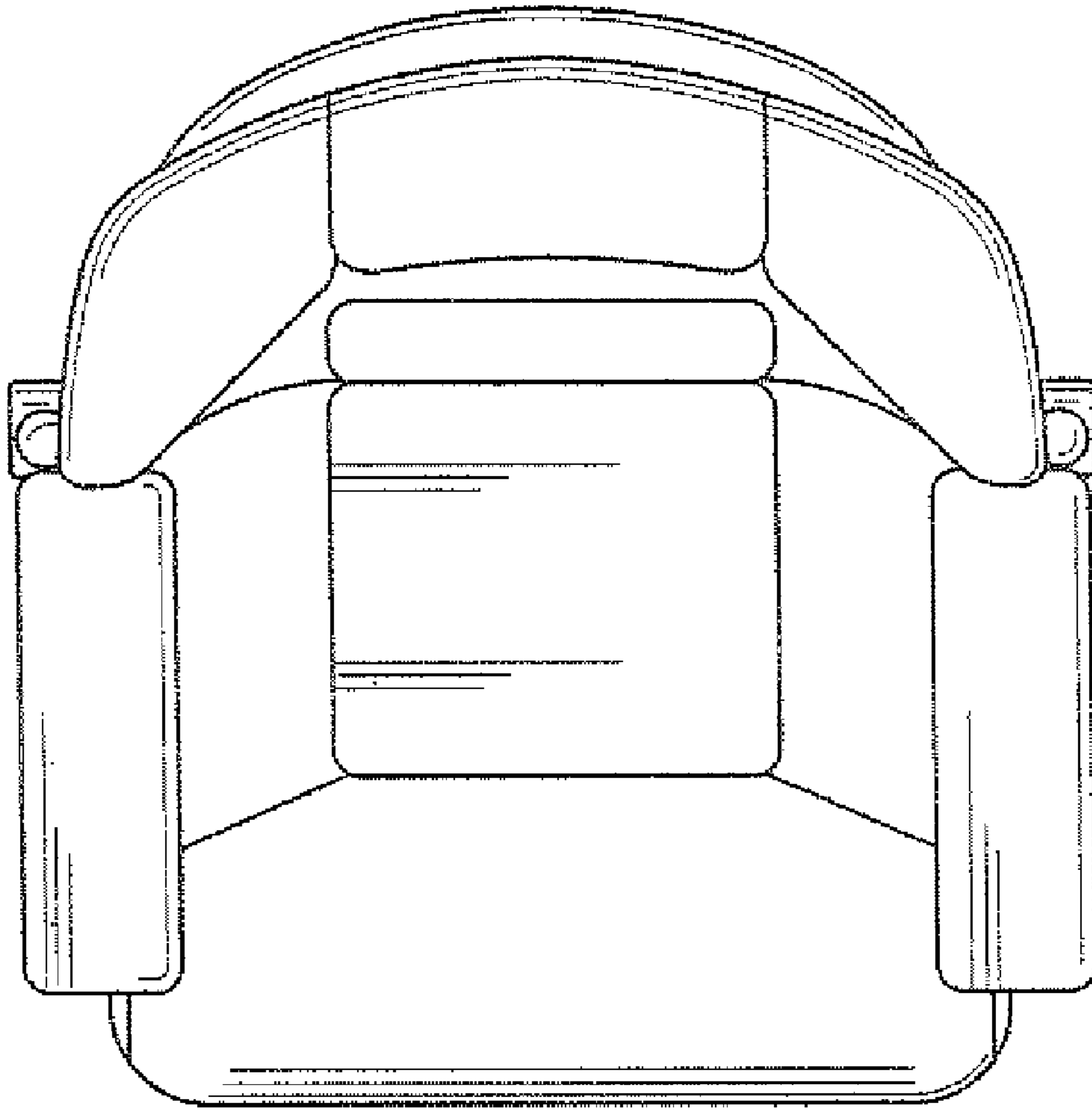


FIG. 2

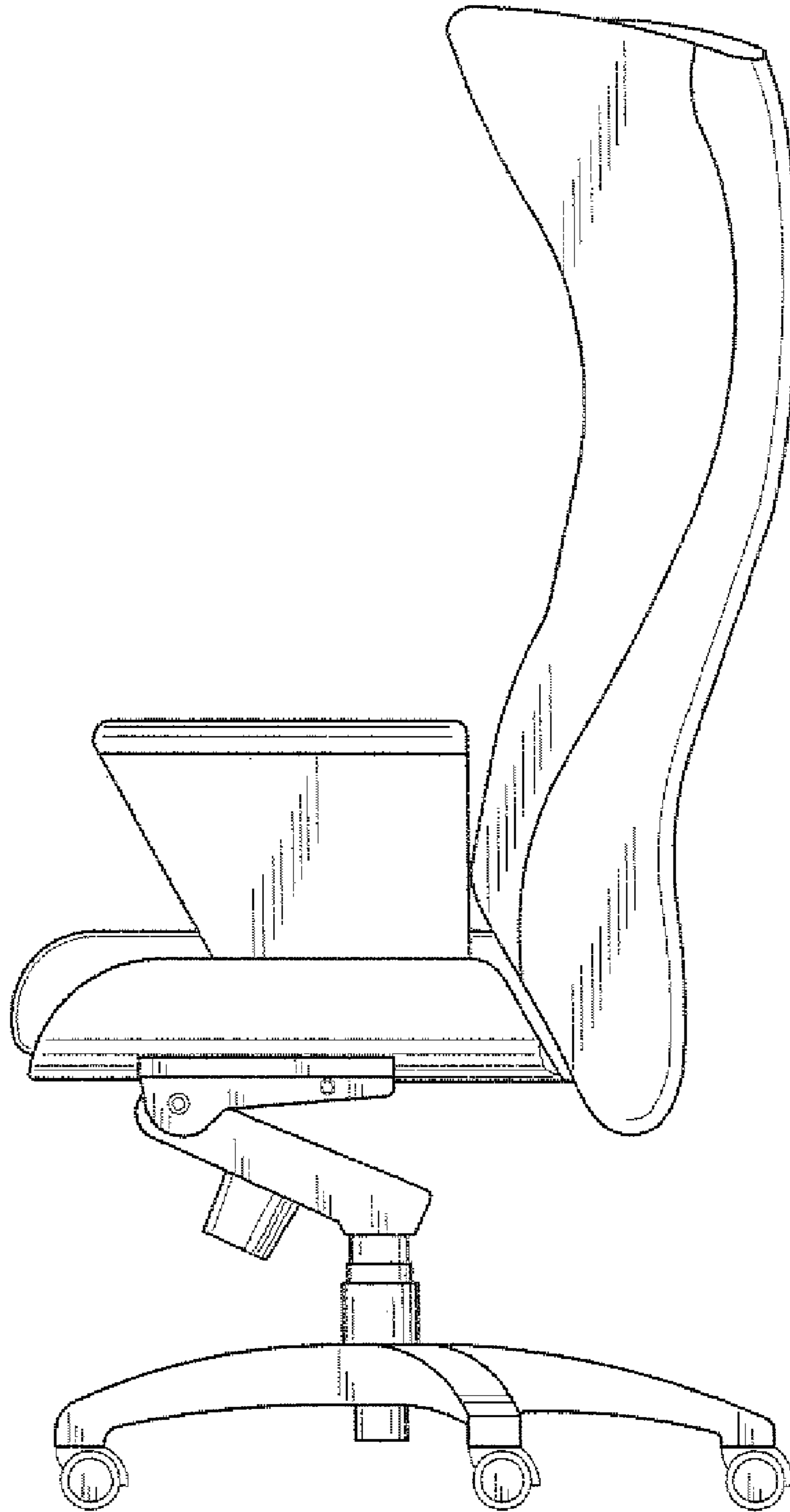


FIG. 3

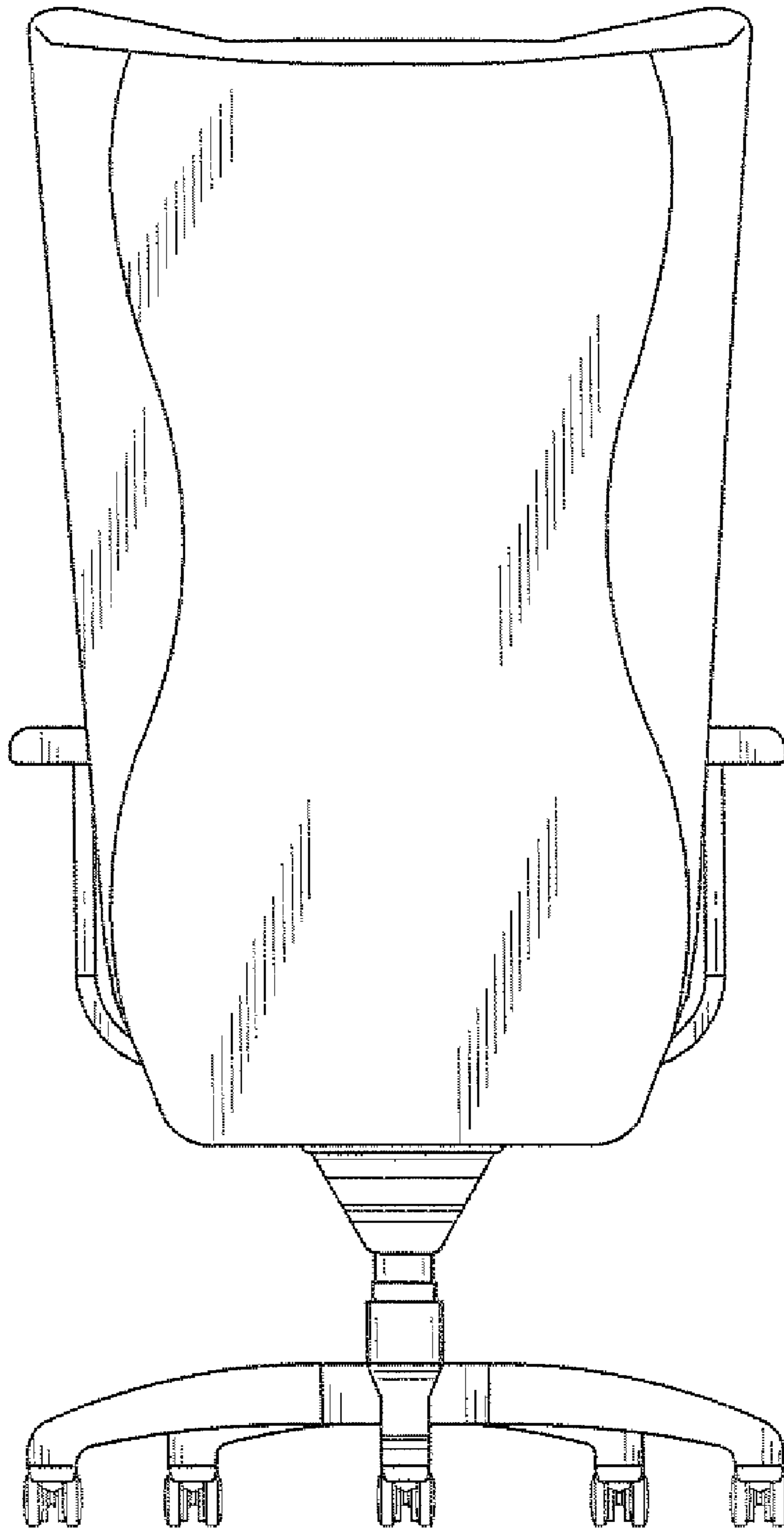


FIG. 4

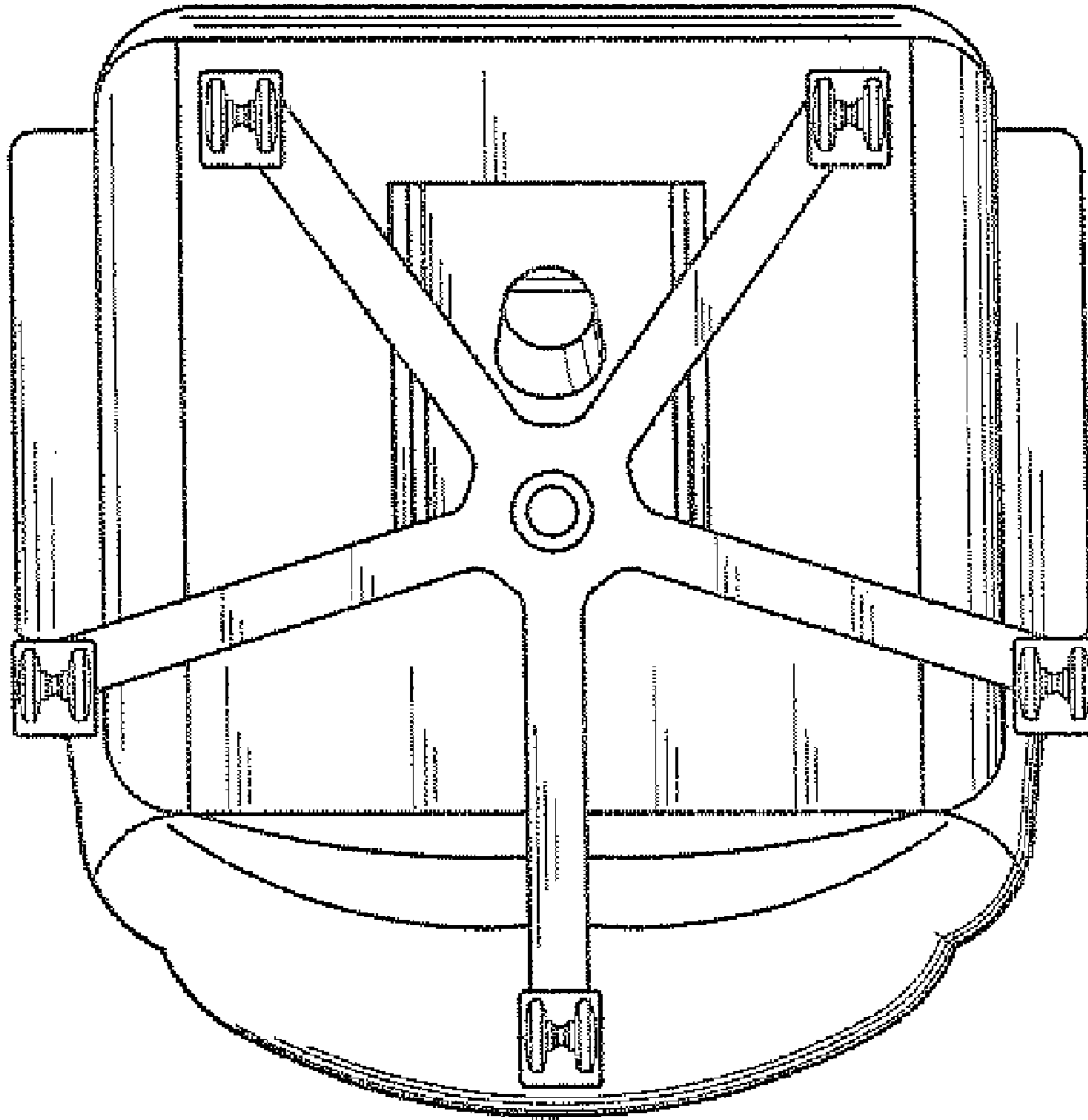


FIG. 5

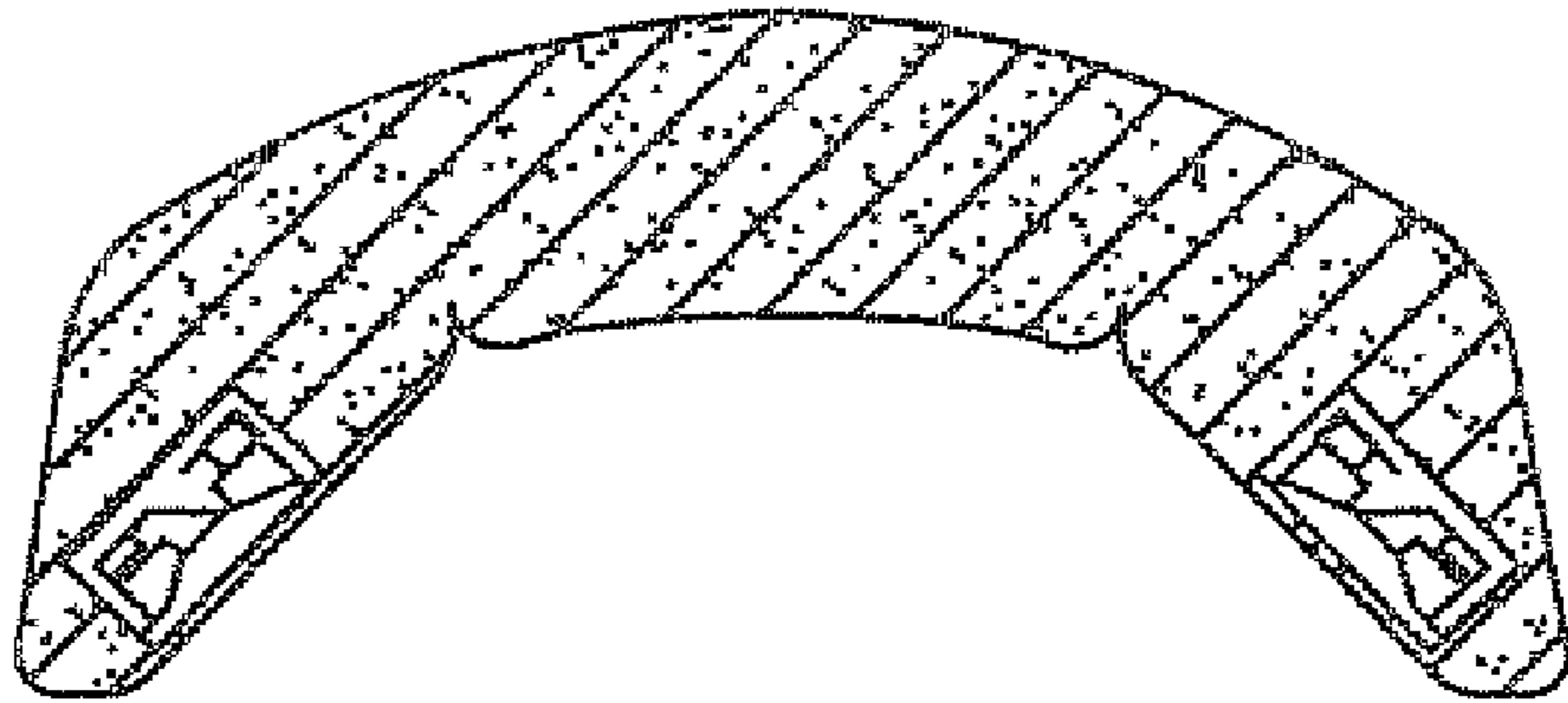


FIG. 6

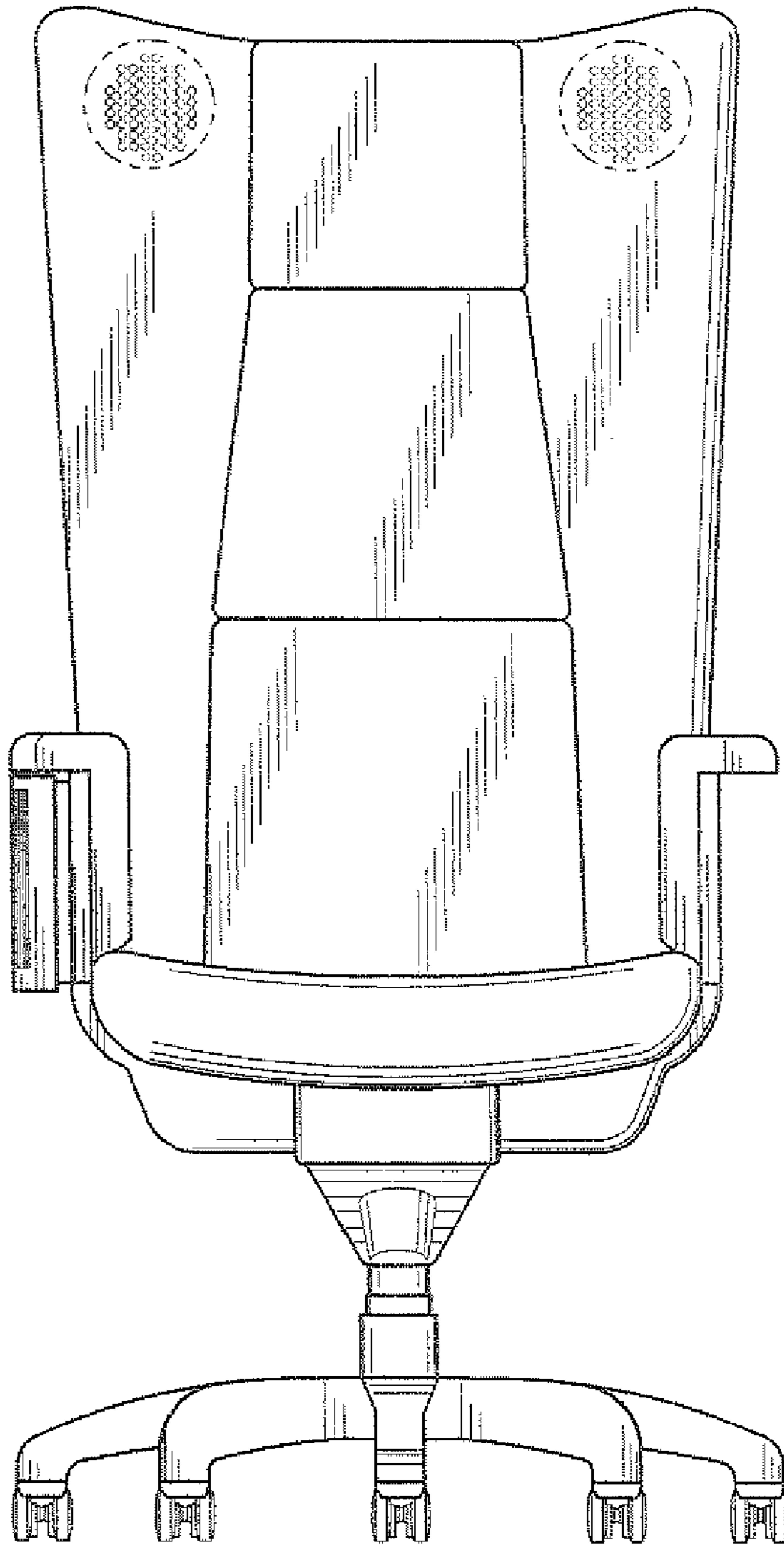


FIG. 7