



US00D608554S

(12) **United States Design Patent**
Aoki

(10) **Patent No.:** **US D608,554 S**
(45) **Date of Patent:** **** Jan. 26, 2010**

(54) **ELECTRIC SWINGING CHAIR**

(75) Inventor: **Motohiro Aoki**, Tokyo (JP)

(73) Assignee: **Panasonic Electric Works Co., Ltd.**,
Kadoma-shi (JP)

(**) Term: **14 Years**

(21) Appl. No.: **29/340,345**

(22) Filed: **Jul. 16, 2009**

(30) **Foreign Application Priority Data**

Jan. 27, 2009 (JP) 2009-001527

(51) **LOC (9) Cl.** **06-01**

(52) **U.S. Cl.** **D6/361; D6/344**

(58) **Field of Classification Search** D6/334-336,
D6/344, 360, 361, 364, 365, 367, 375, 500-502;
297/330, 344.12, 423.1, 452.12, 452.19,
297/DIG. 2

See application file for complete search history.

(56) **References Cited**

U.S. PATENT DOCUMENTS

D210,875 S *	4/1968	Stauber	D6/361
D217,449 S *	5/1970	Meyer	D6/361
D226,644 S *	4/1973	Kogoj et al.	D6/365
D236,861 S *	9/1975	Conrad	D6/361
D300,390 S *	3/1989	Soley	D6/361
D304,394 S *	11/1989	Harmer	D6/361
4,966,045 A *	10/1990	Harney	297/330
D341,965 S *	12/1993	Chapman	D6/501
D351,742 S *	10/1994	Phleps et al.	D6/367
D490,618 S *	6/2004	Green et al.	D6/361
D509,371 S *	9/2005	Natuzzi	D6/361

* cited by examiner

Primary Examiner—Mimosa De

(74) *Attorney, Agent, or Firm*—Marvin A. Motsenbocker;
MOTS Law, PLLC

(57) **CLAIM**

The ornamental design for an electric swinging chair, as shown and described.

DESCRIPTION

FIG. 1 is a perspective view of an electric swinging chair;

FIG. 2 is a front view thereof;

FIG. 3 is a rear view thereof;

FIG. 4 is a right side view thereof;

FIG. 5 is a left side view thereof;

FIG. 6 is a top plan view thereof;

FIG. 7 is a bottom plan view thereof;

FIG. 8 is an 8—8 sectional view showing an outline of the electric swinging chair without internal structure;

FIG. 9 is a 9—9 sectional view showing an outline of the electric swinging chair without internal structure;

FIG. 10 is a reference front view showing a maximally expanded state of the electric swinging chair;

FIG. 11 is a reference front view showing a minimally contracted state of the electric swinging chair; and,

FIG. 12 is a reference perspective view showing the electric swinging chair in use.

The broken lines and hatching shown in the drawings are for illustrative purposes only and form no part of the claimed design.

1 Claim, 12 Drawing Sheets

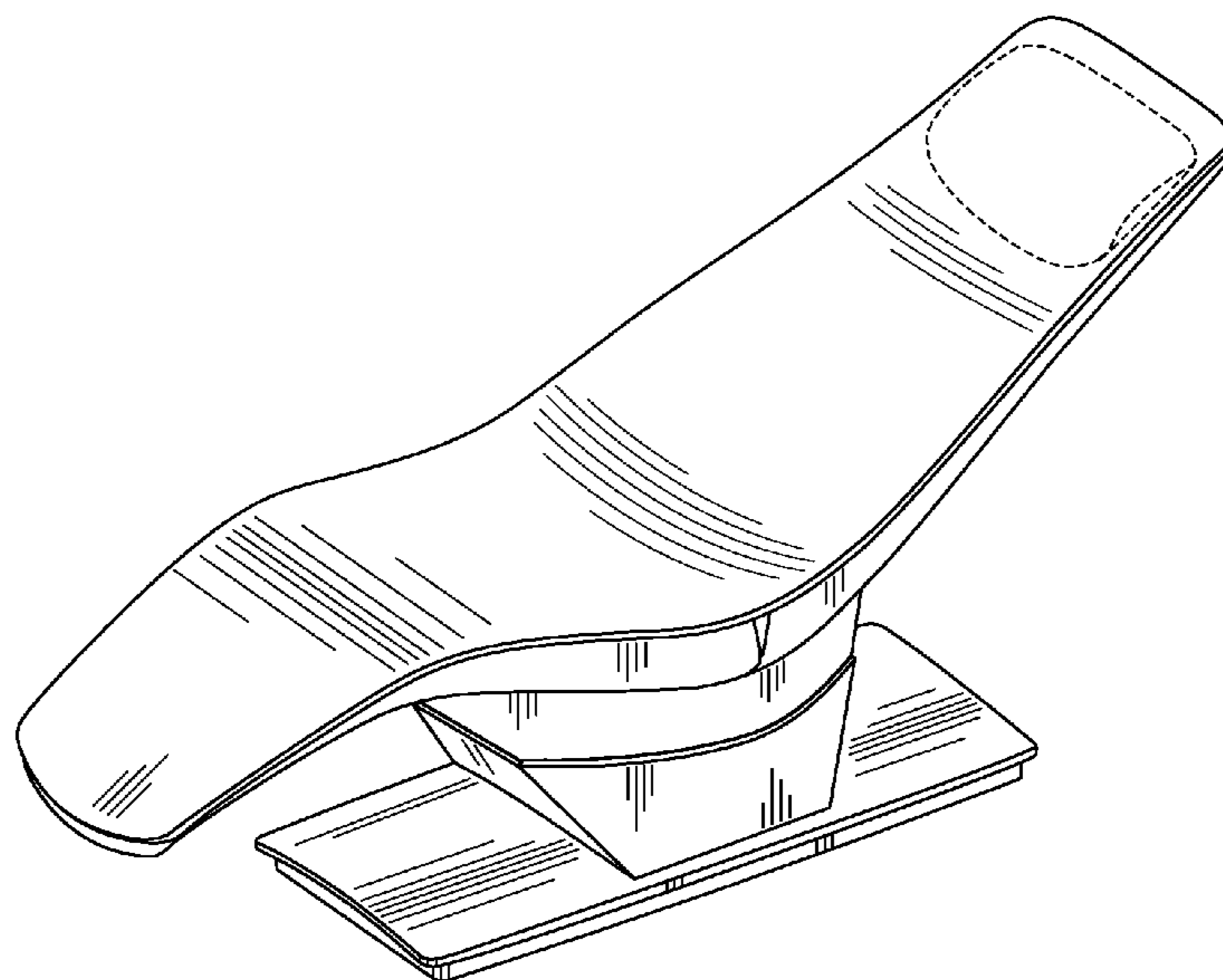


Fig.1

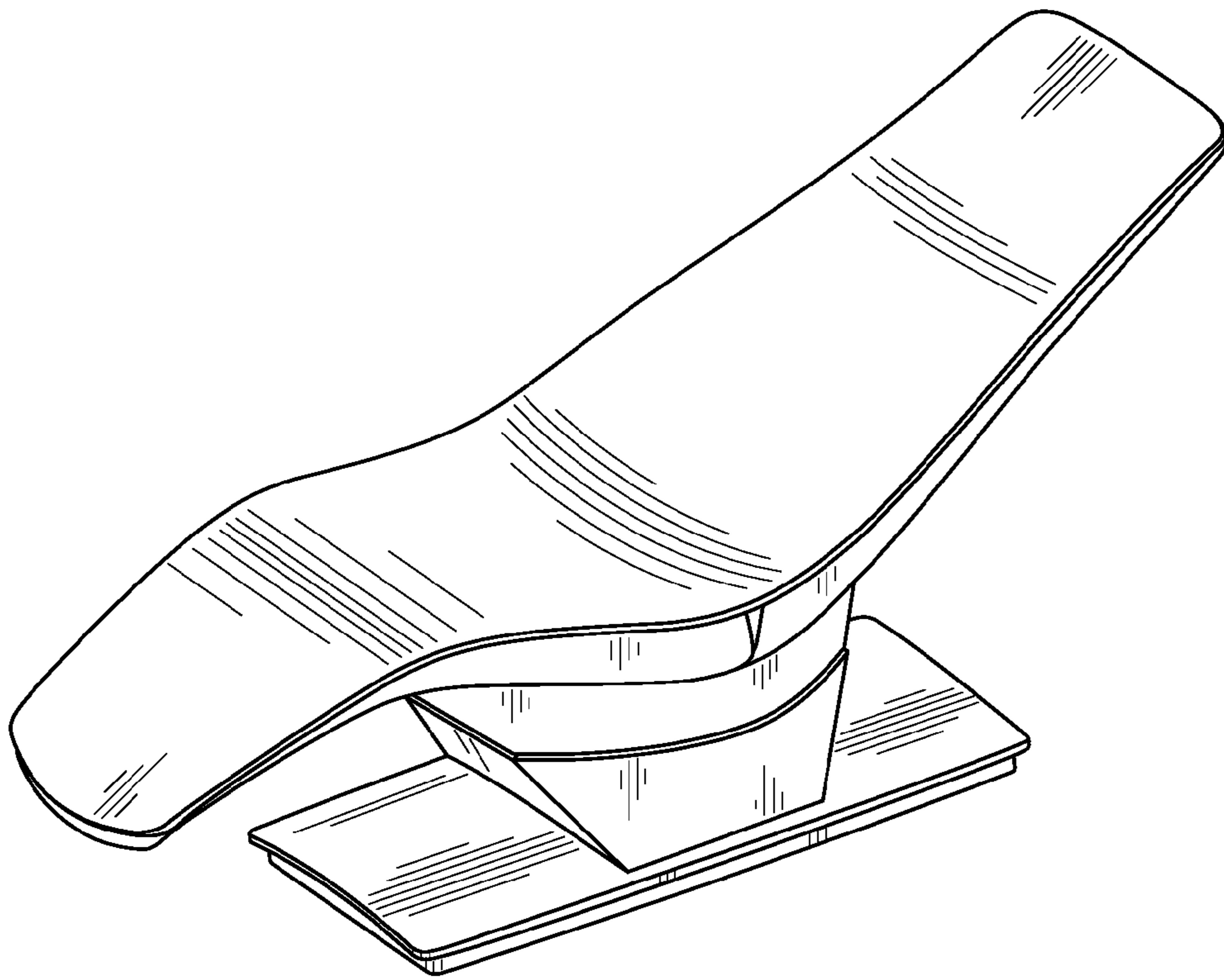


Fig.2

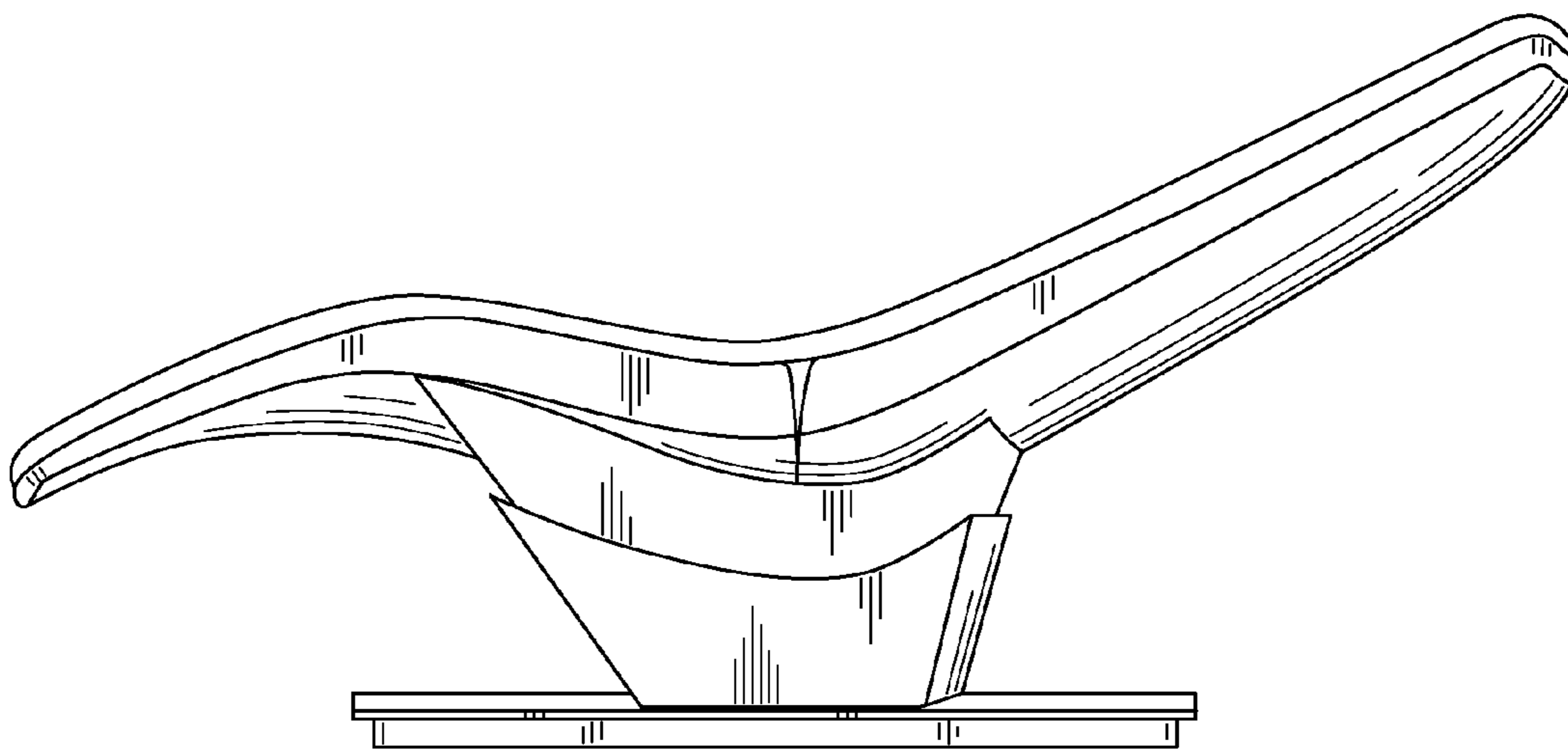


Fig.3

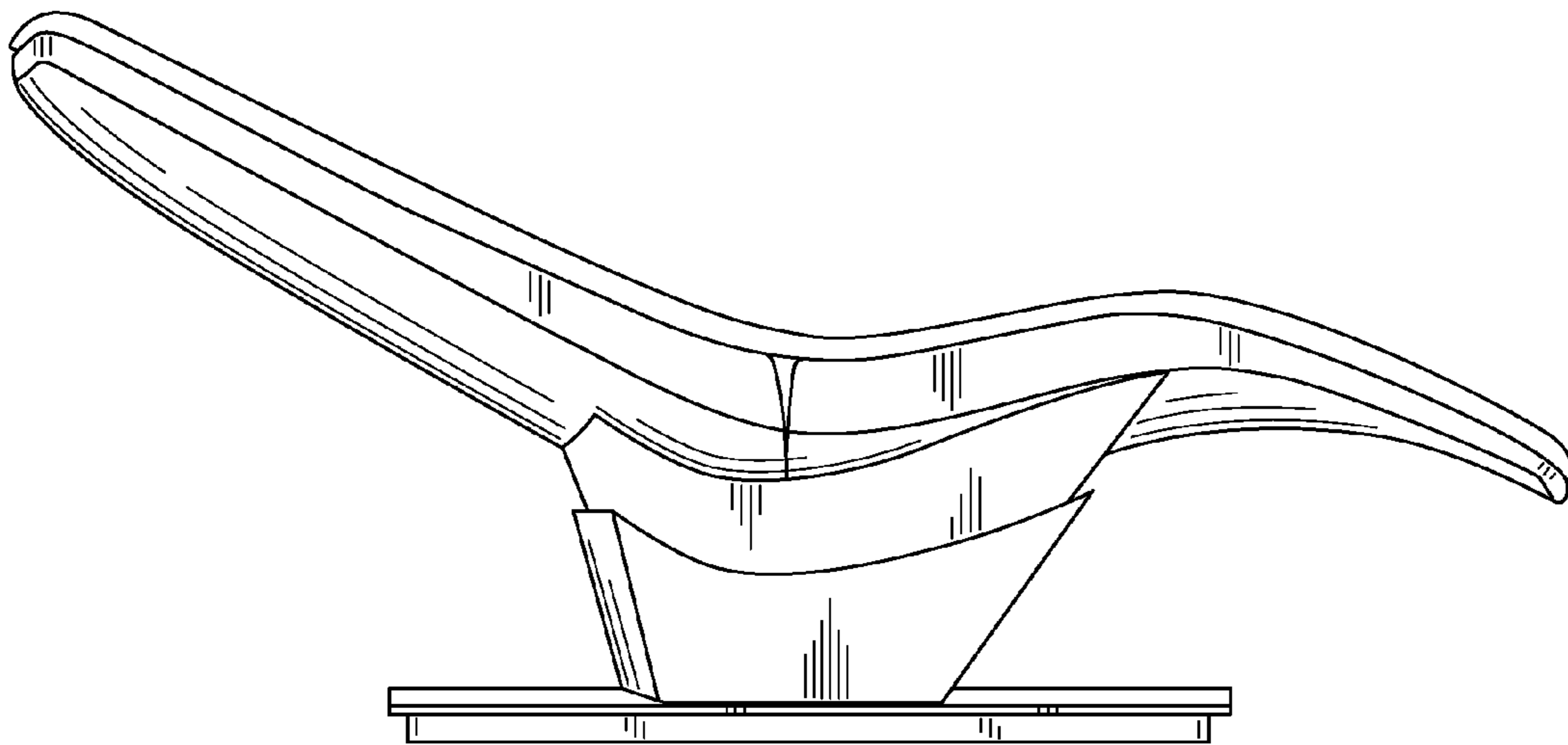


Fig.4

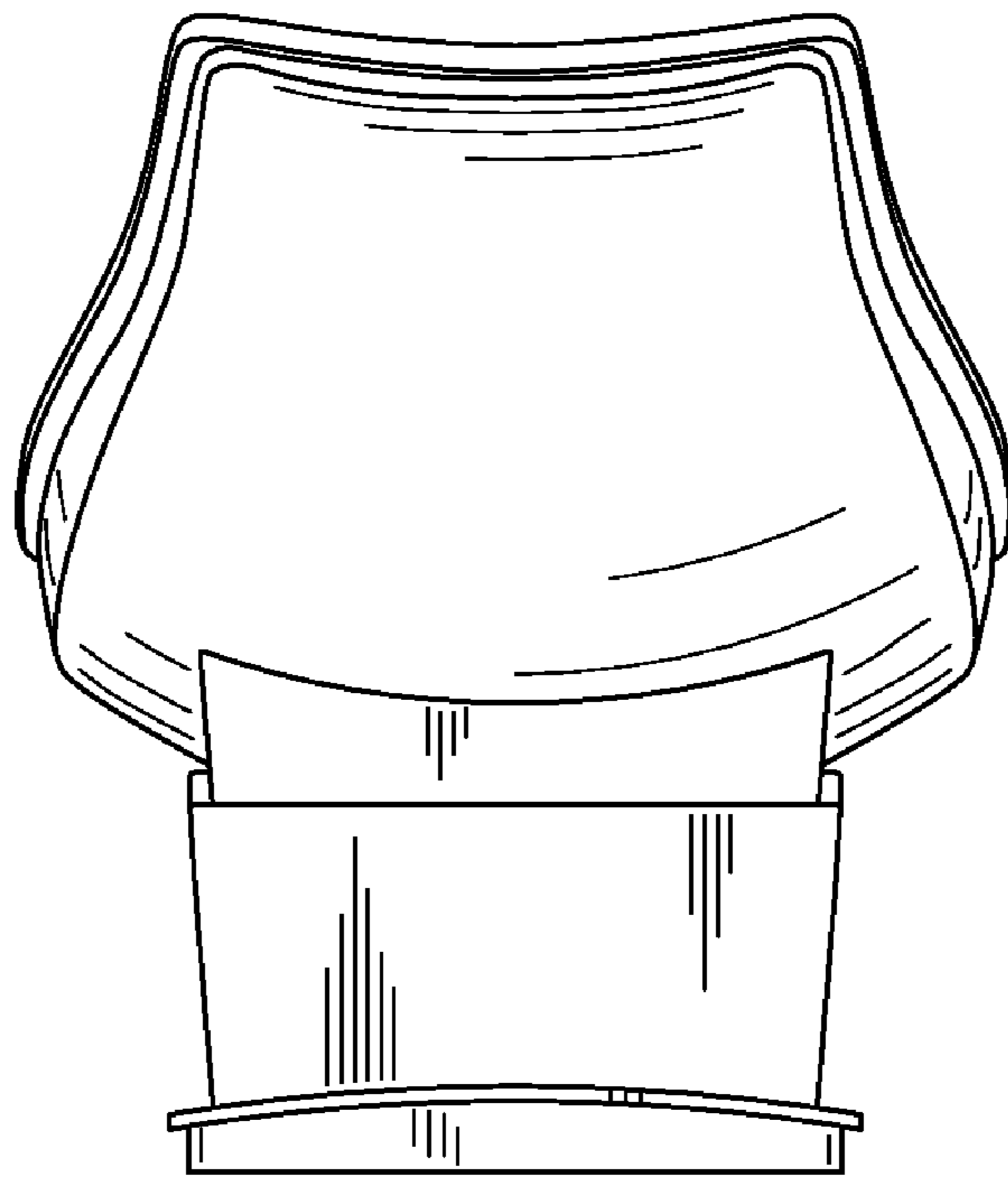


Fig.5

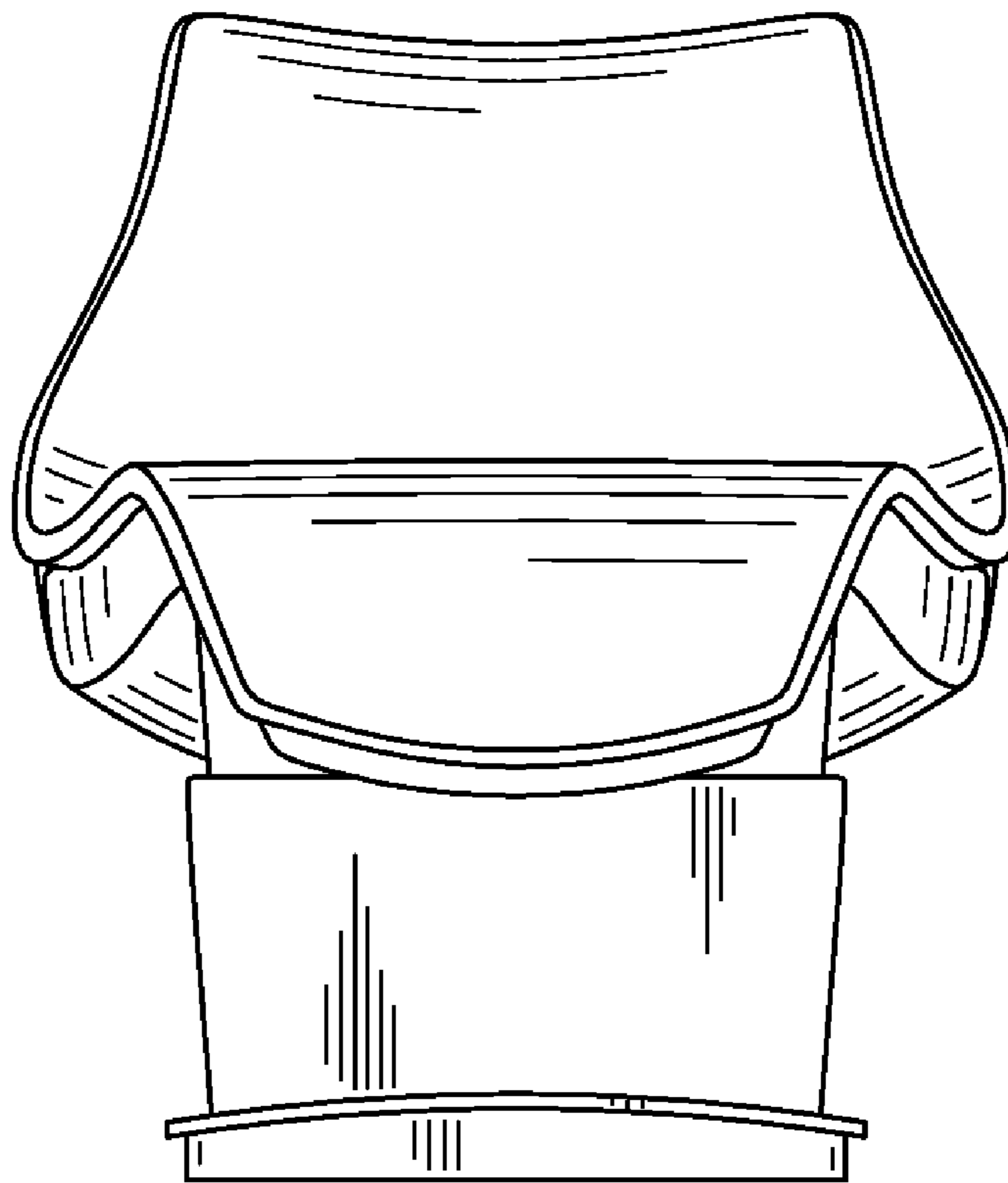


Fig.6

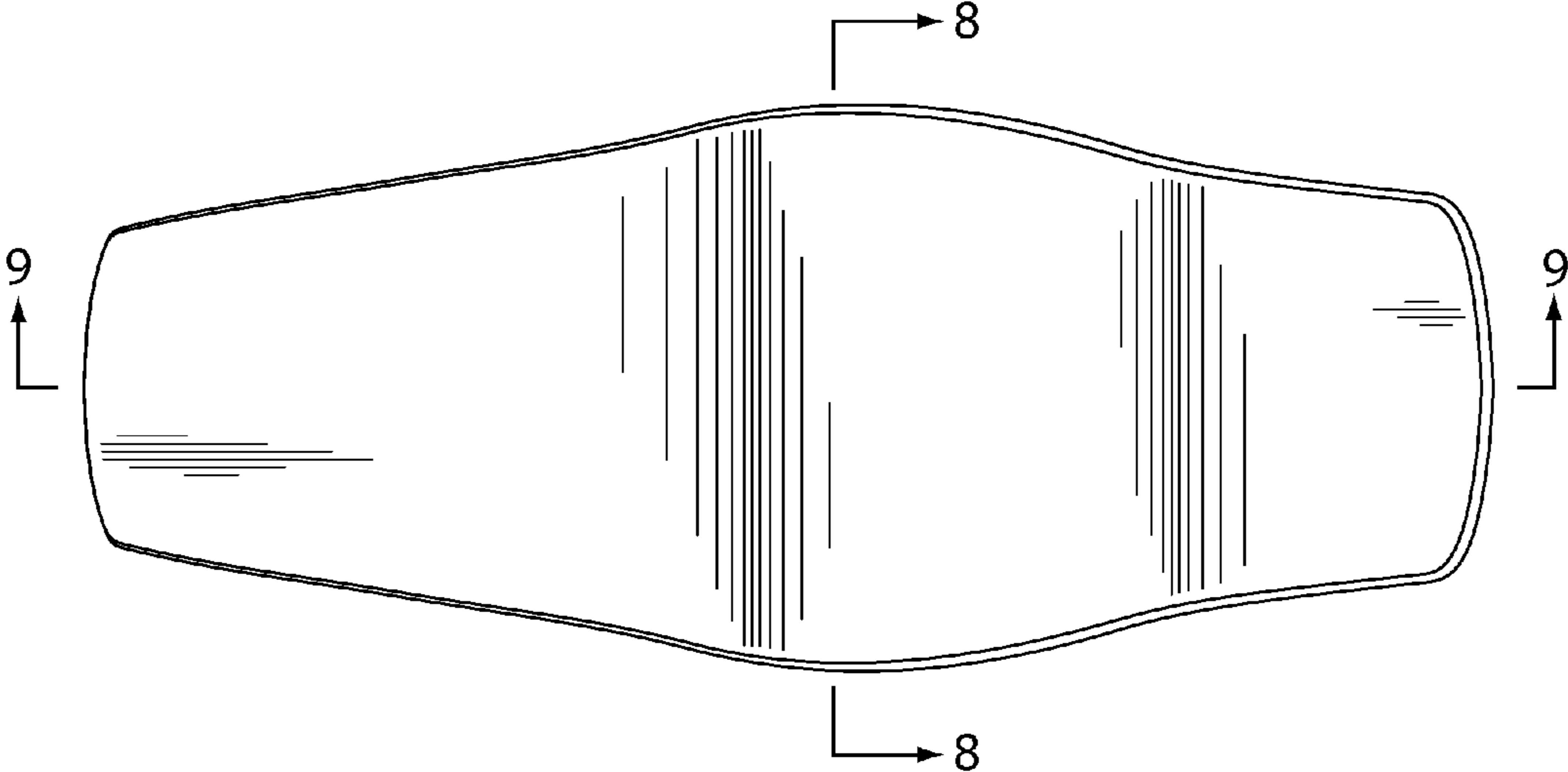


Fig.7

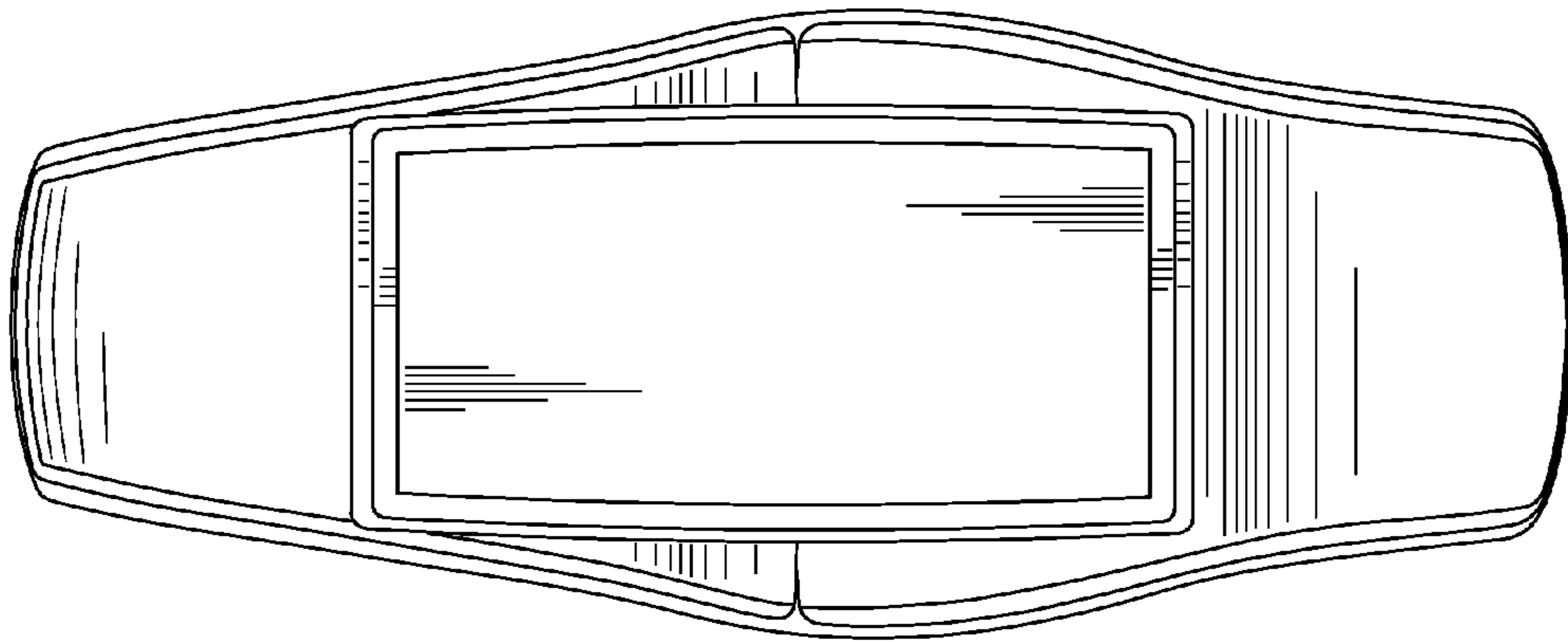


Fig.8

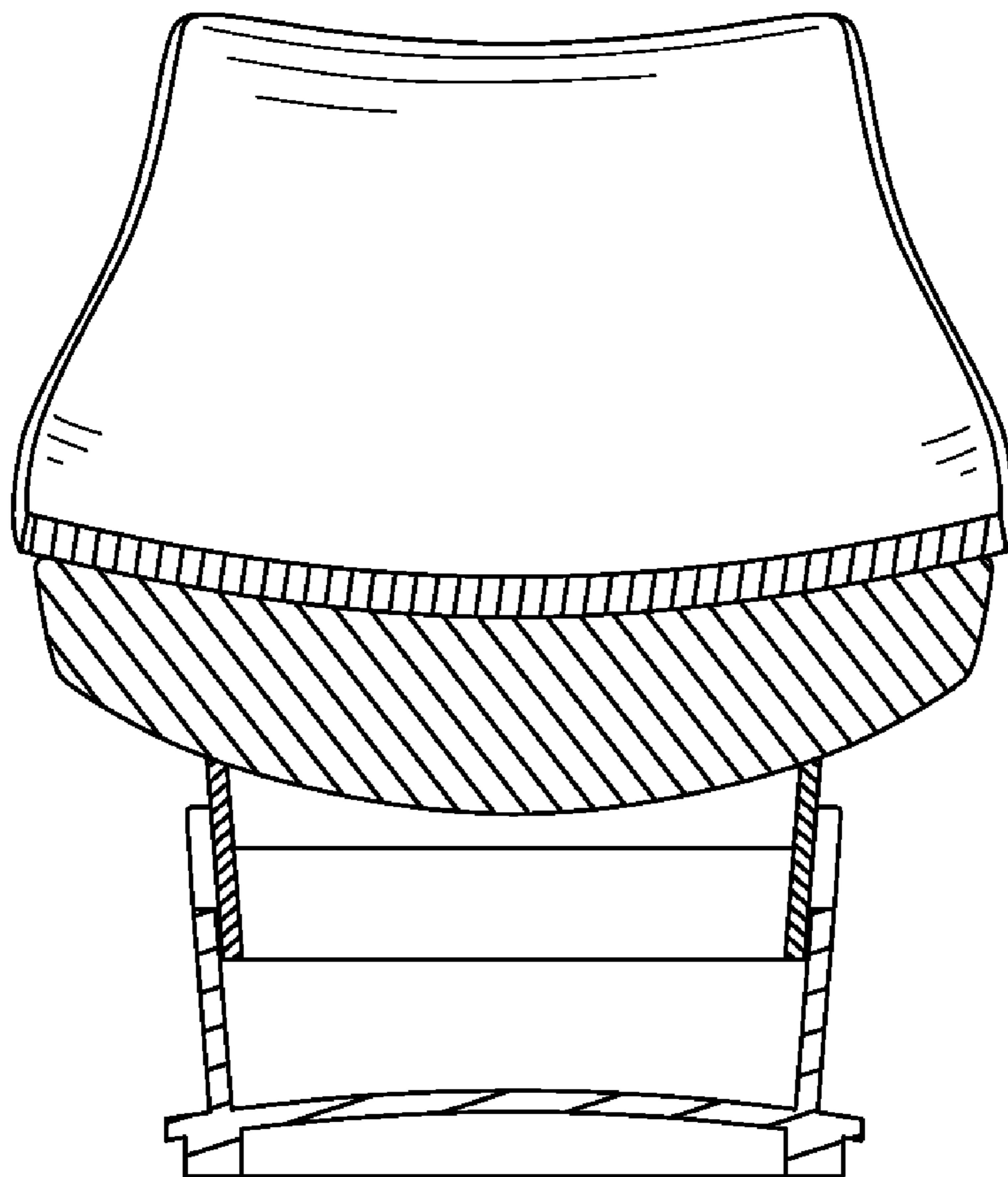


Fig.9

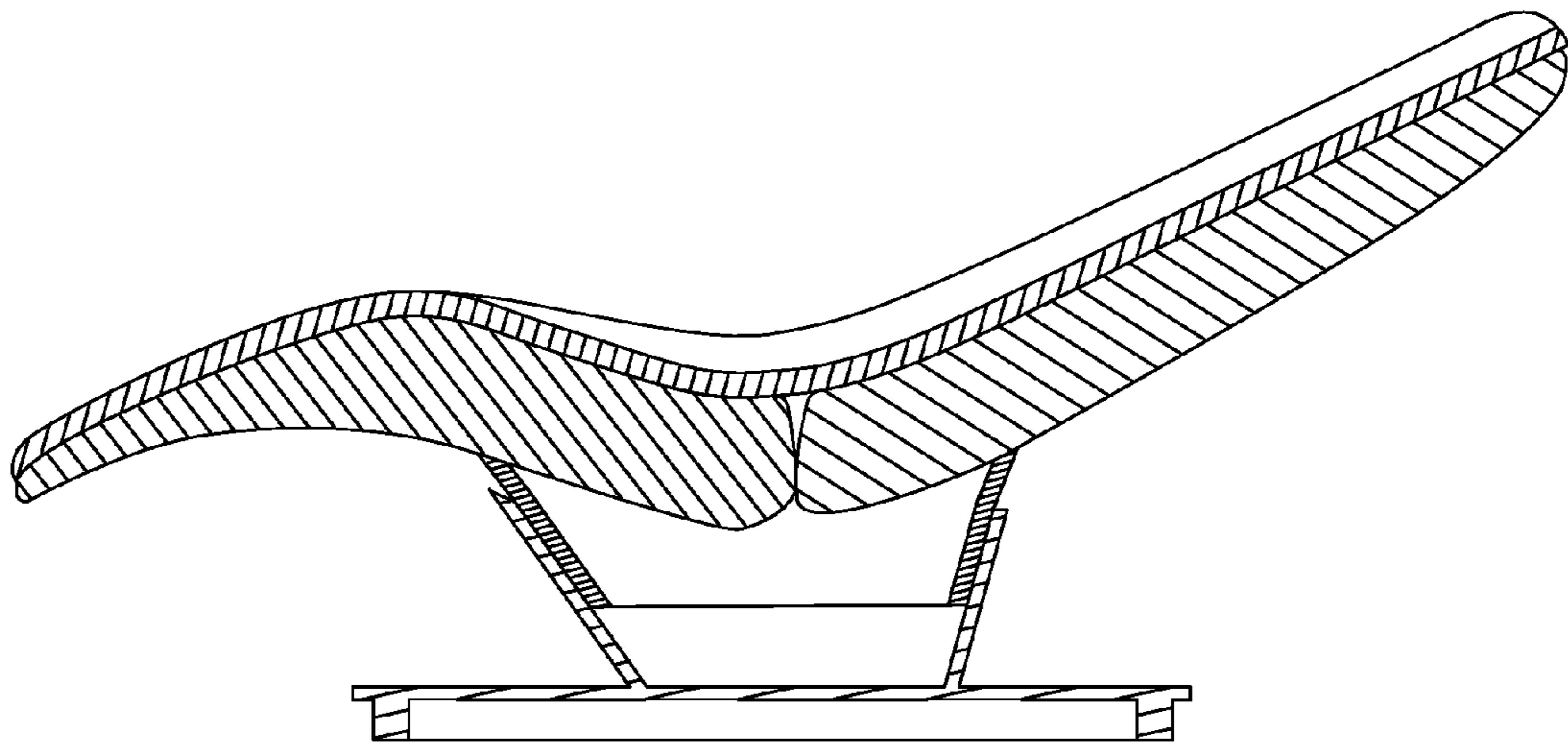


Fig.10

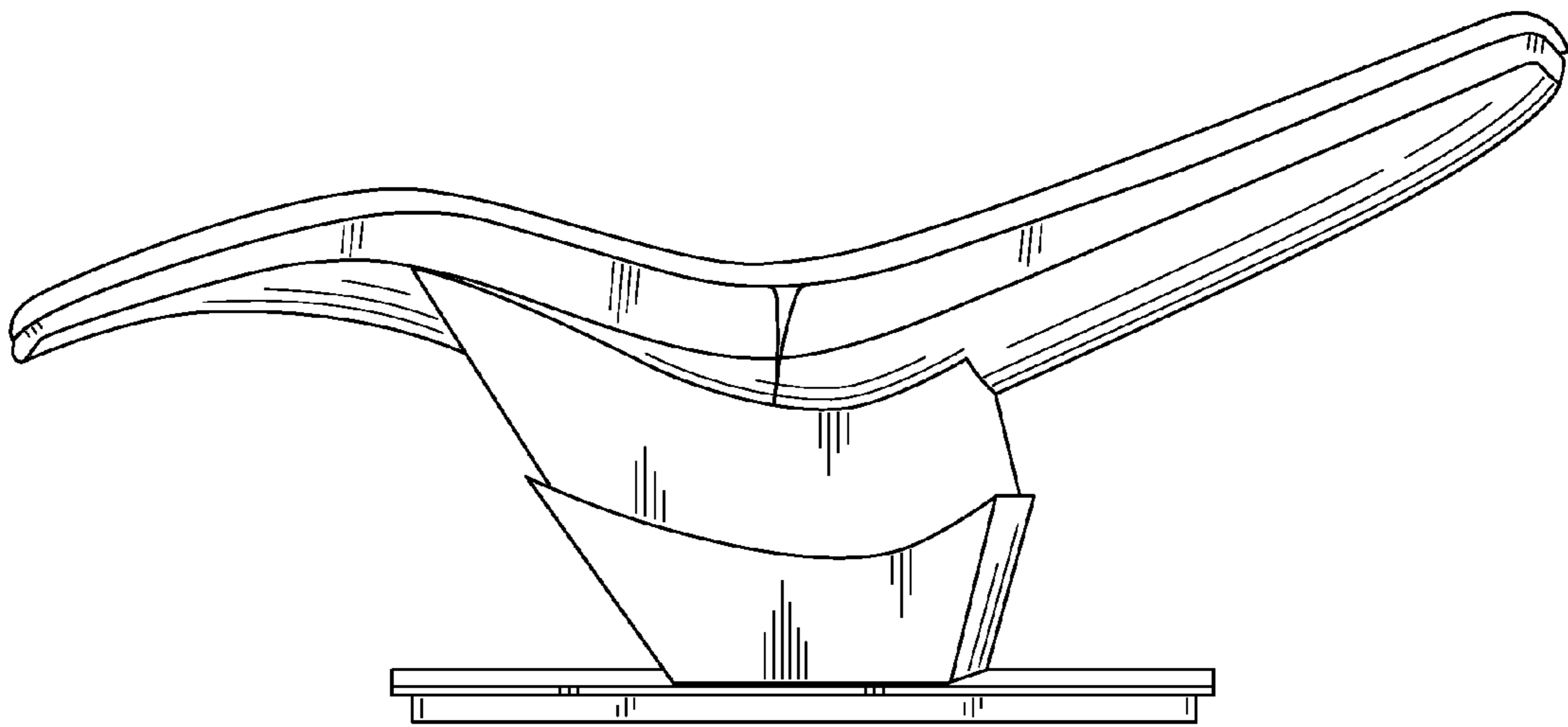


Fig.11

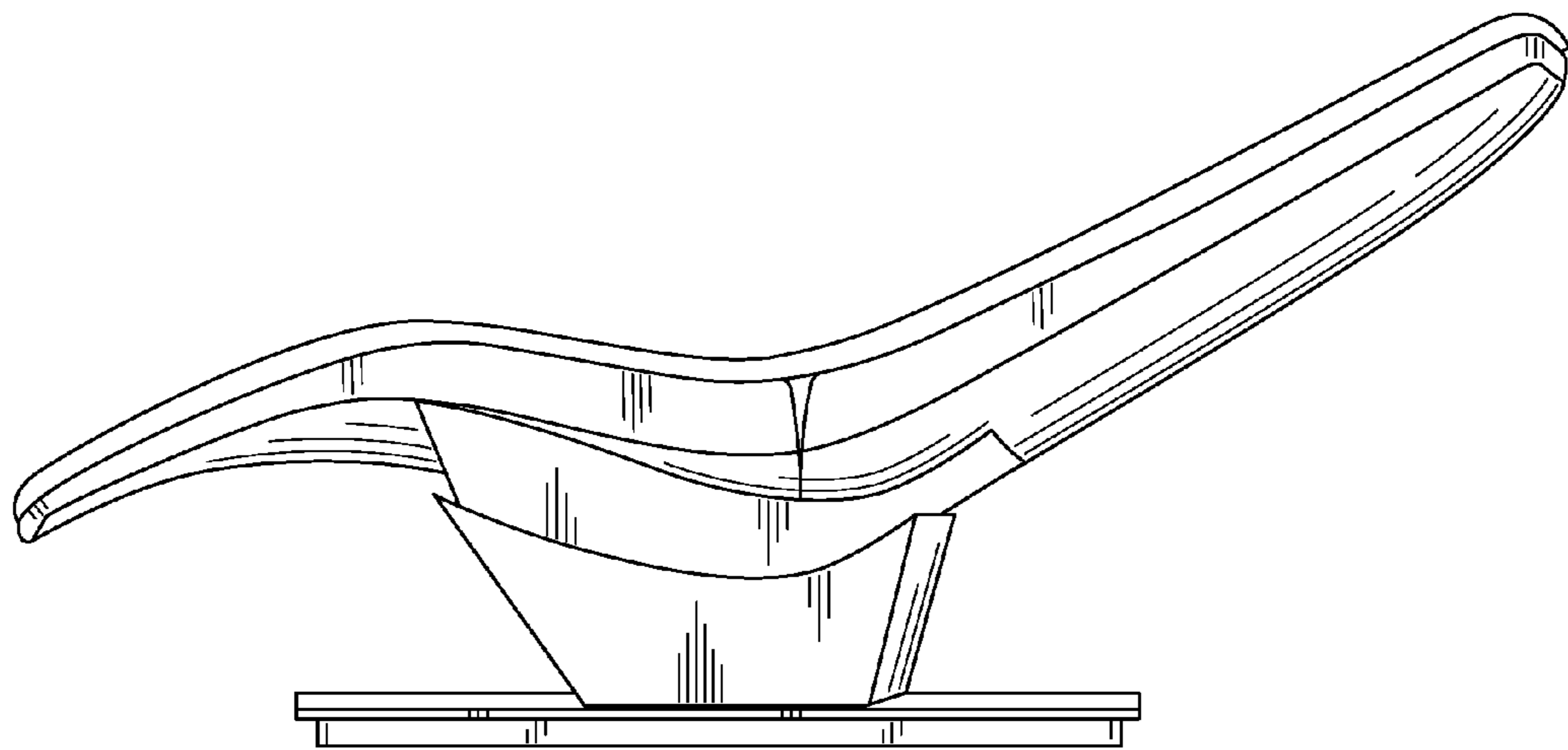


Fig.12

