

US00D608553S

(12) **United States Design Patent**  
**Jonsson et al.**

(10) **Patent No.:** **US D608,553 S**  
(45) **Date of Patent:** **\*\* Jan. 26, 2010**

(54) **HIGHCHAIR**

D547,957 S \* 8/2007 Muller ..... D6/360  
D590,159 S \* 4/2009 Lin ..... D6/339

(75) Inventors: **Lisa Anna Jonsson**, Halmstad (SE);  
**Anna Sofia Johansson**, Halmstad (SE)

\* cited by examiner

(73) Assignees: **Lisa Jonsson**, Jönköping (SE); **Anna Johansson**, Kungsbacka (SE)

*Primary Examiner*—Caron Veynar  
*Assistant Examiner*—Abraham Bahta

(\*\*) Term: **14 Years**

(57) **CLAIM**

(21) Appl. No.: **29/300,908**

The ornamental design for a highchair, as shown and described.

(22) Filed: **May 29, 2008**

**DESCRIPTION**

(51) **LOC (9) Cl.** ..... **06-01**

(52) **U.S. Cl.** ..... **D6/360**

(58) **Field of Classification Search** ..... D6/333–336,  
D6/339, 499–502, 360, 364–365, 374–375,  
D6/379–380; 297/250.1, 256.1, 256.15,  
297/344.12, 344.21, 451.4, 451.5, 150, 161,  
297/446.1, 445.1, 423.25, 423.27

The product has a cylindrical, vertical body, with a saddle seat attached on top. The back rest and safety guard are attached to the saddle seat from opposite directions. The foot rest is separately attached to the body.

FIG. 1 is a perspective front view of the highchair of the present invention;

FIG. 2 is a top view of the highchair shown in FIG. 1;

FIG. 3 is a front side view of the highchair shown in FIG. 1;

FIG. 4 is a left side view of the highchair shown in FIG. 1 ;

FIG. 5 is a rear view of the highchair shown in FIG. 1; and,

FIG. 6 is a bottom view of the highchair shown in FIG. 1.

The broken line showing in FIG. 6 is included for the purpose of illustrating environmental structure and forms no part of the claimed design.

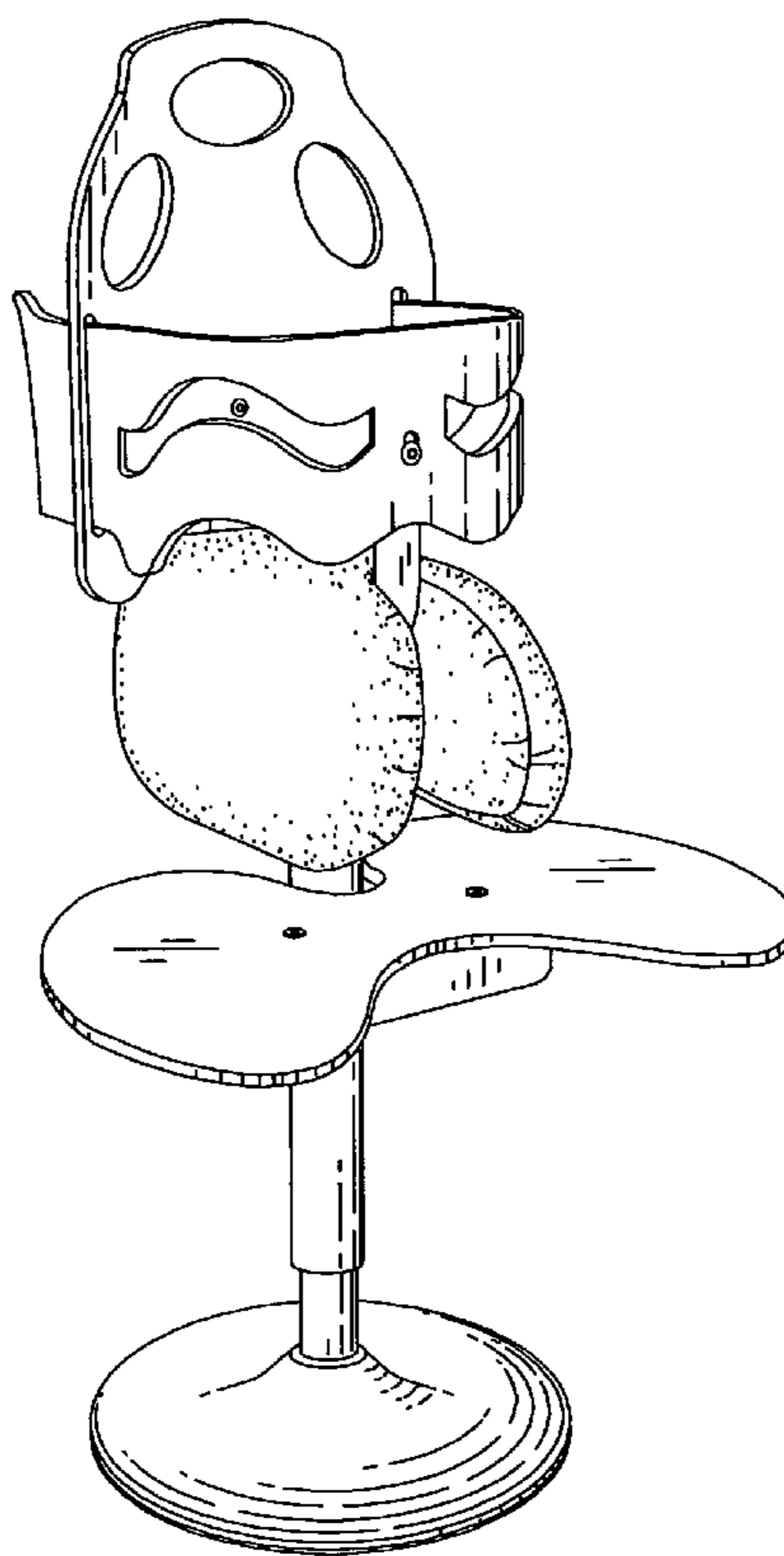
See application file for complete search history.

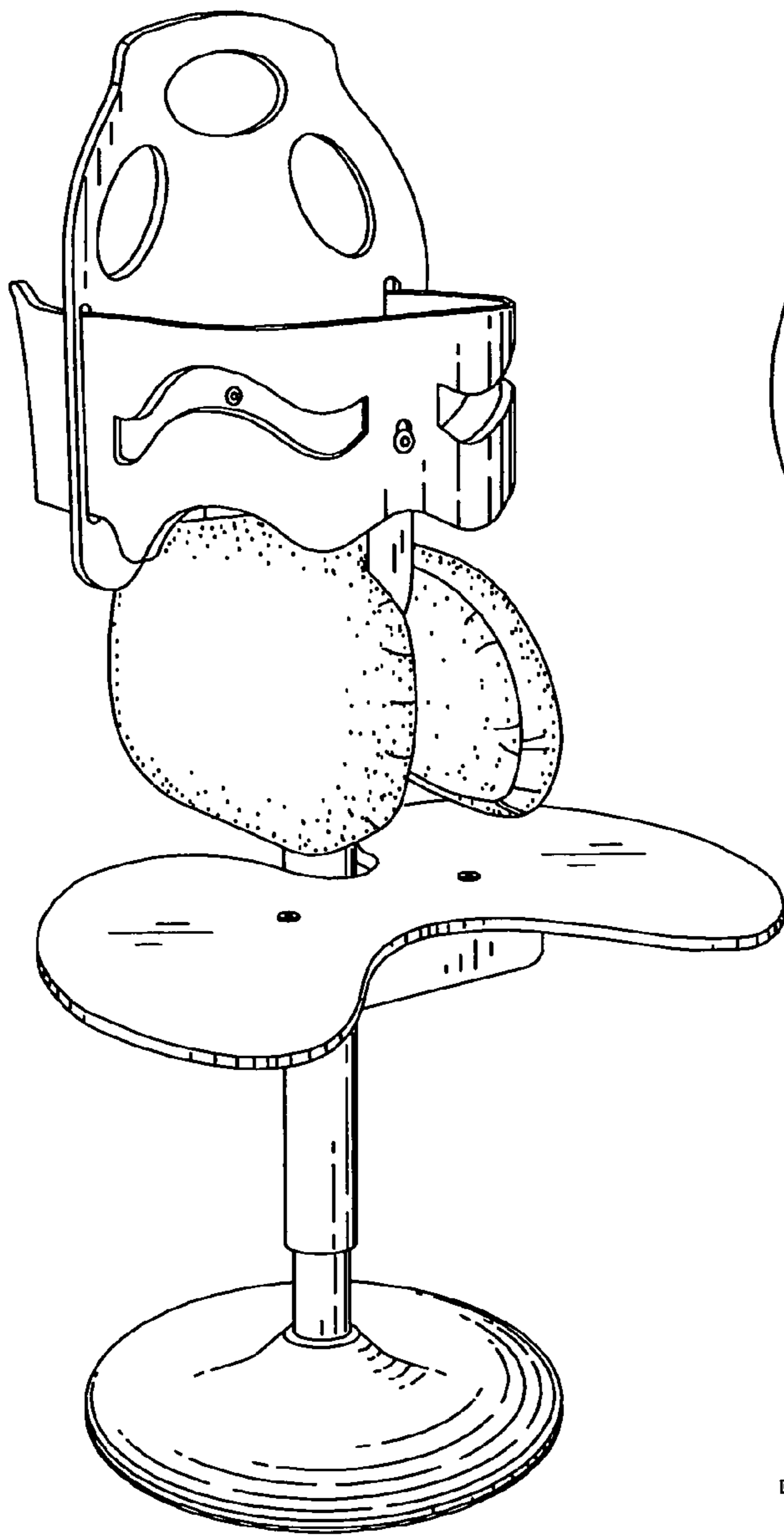
(56) **References Cited**

**U.S. PATENT DOCUMENTS**

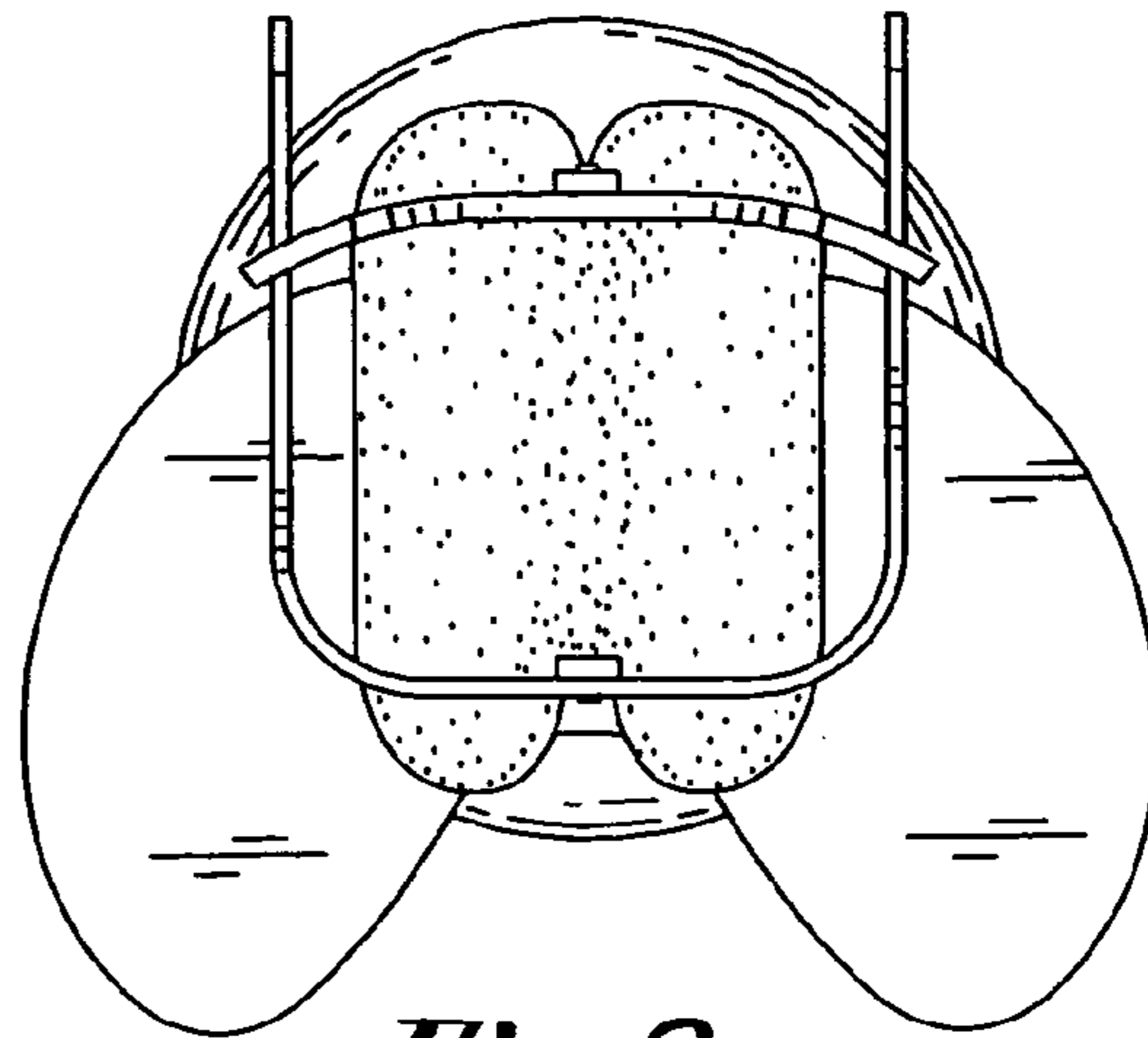
- D269,056 S \* 5/1983 Claman ..... D6/369
- D313,896 S \* 1/1991 Kaye ..... D6/365
- D365,694 S \* 1/1996 Liisberg ..... D6/360
- D449,456 S \* 10/2001 Muller ..... D6/360
- D486,313 S \* 2/2004 Manzali ..... D6/360
- D487,982 S \* 4/2004 Lee ..... D6/360
- D540,048 S \* 4/2007 Llusca ..... D6/360

**1 Claim, 2 Drawing Sheets**

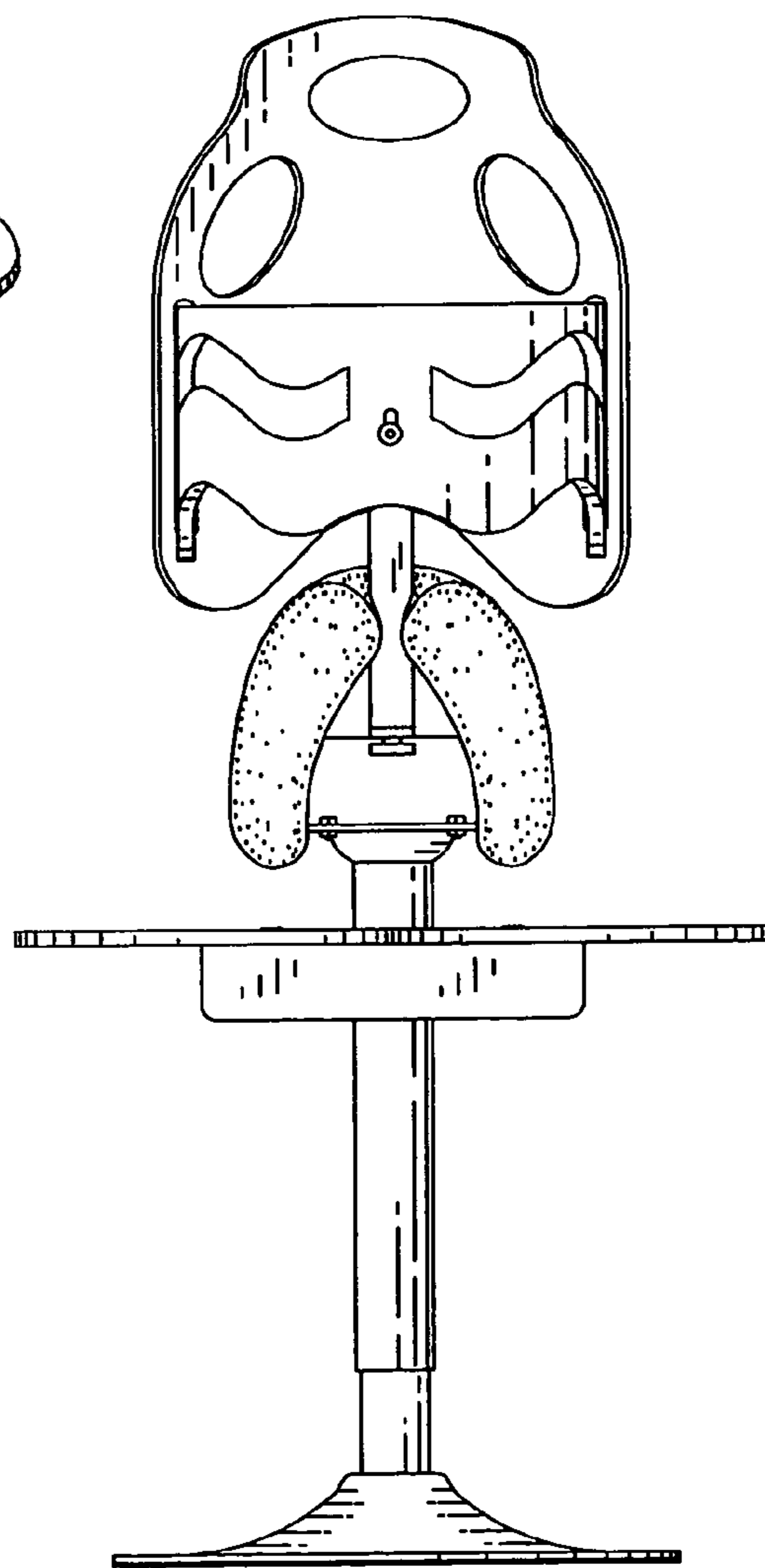




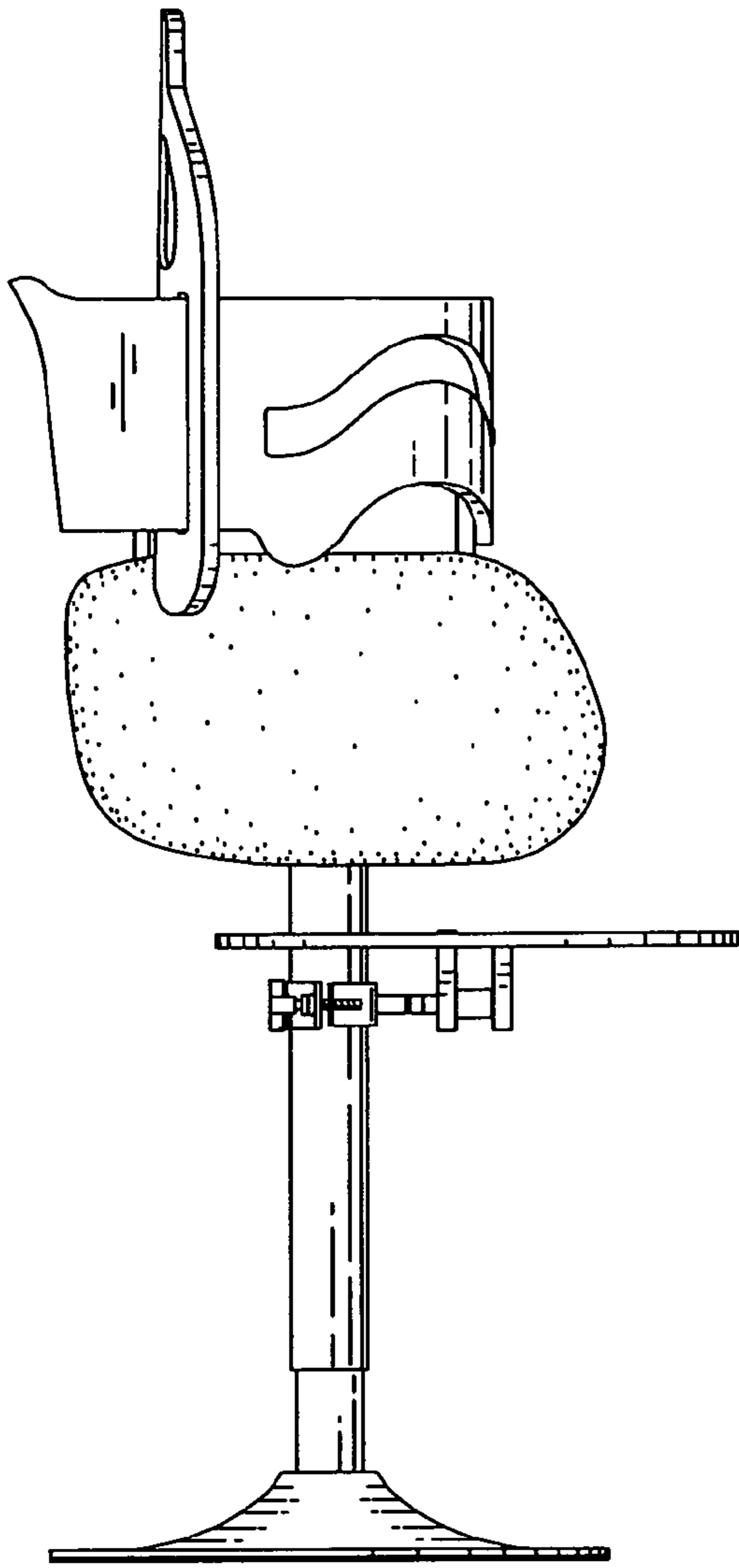
*Fig. 1*



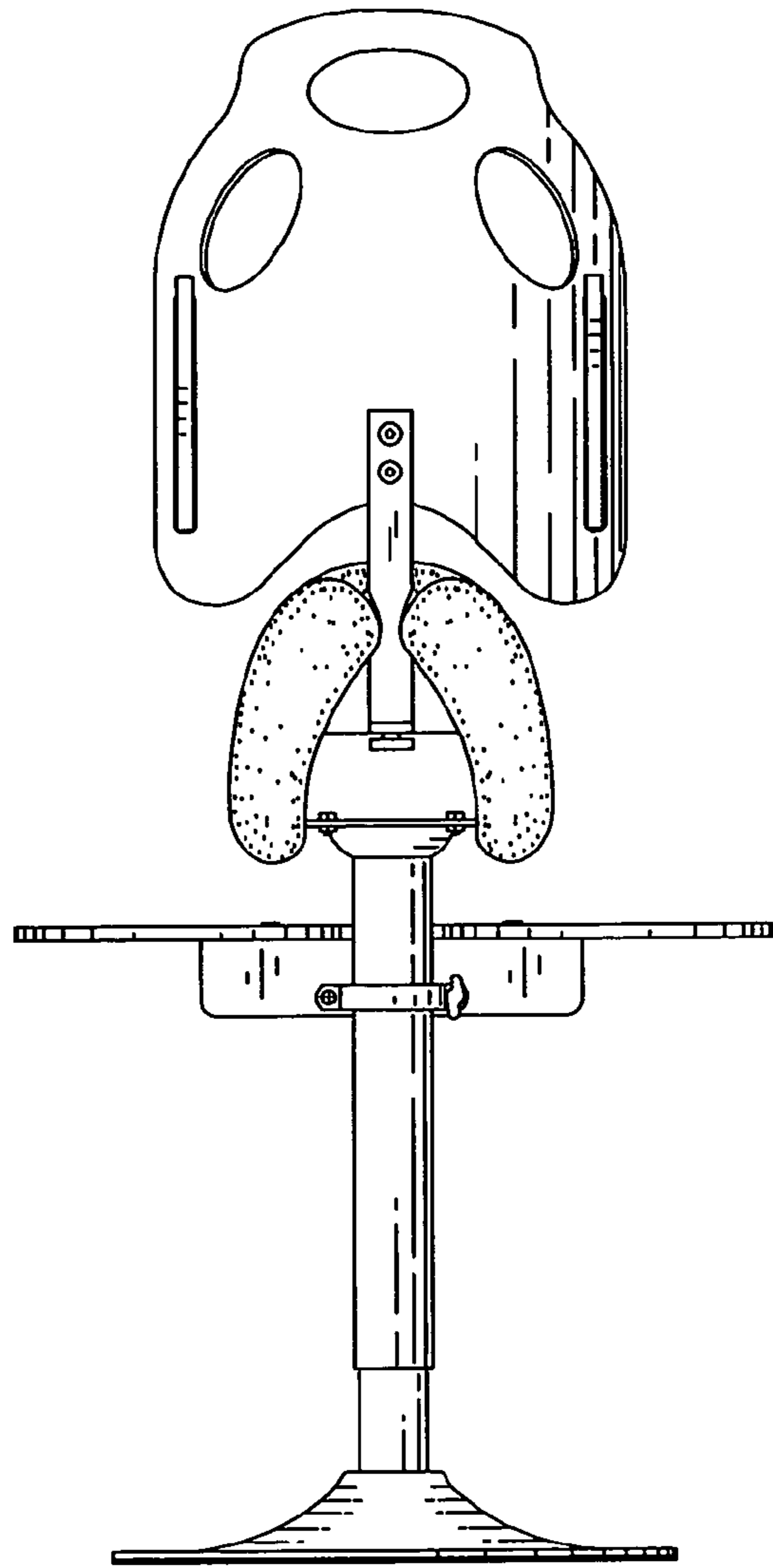
*Fig. 2*



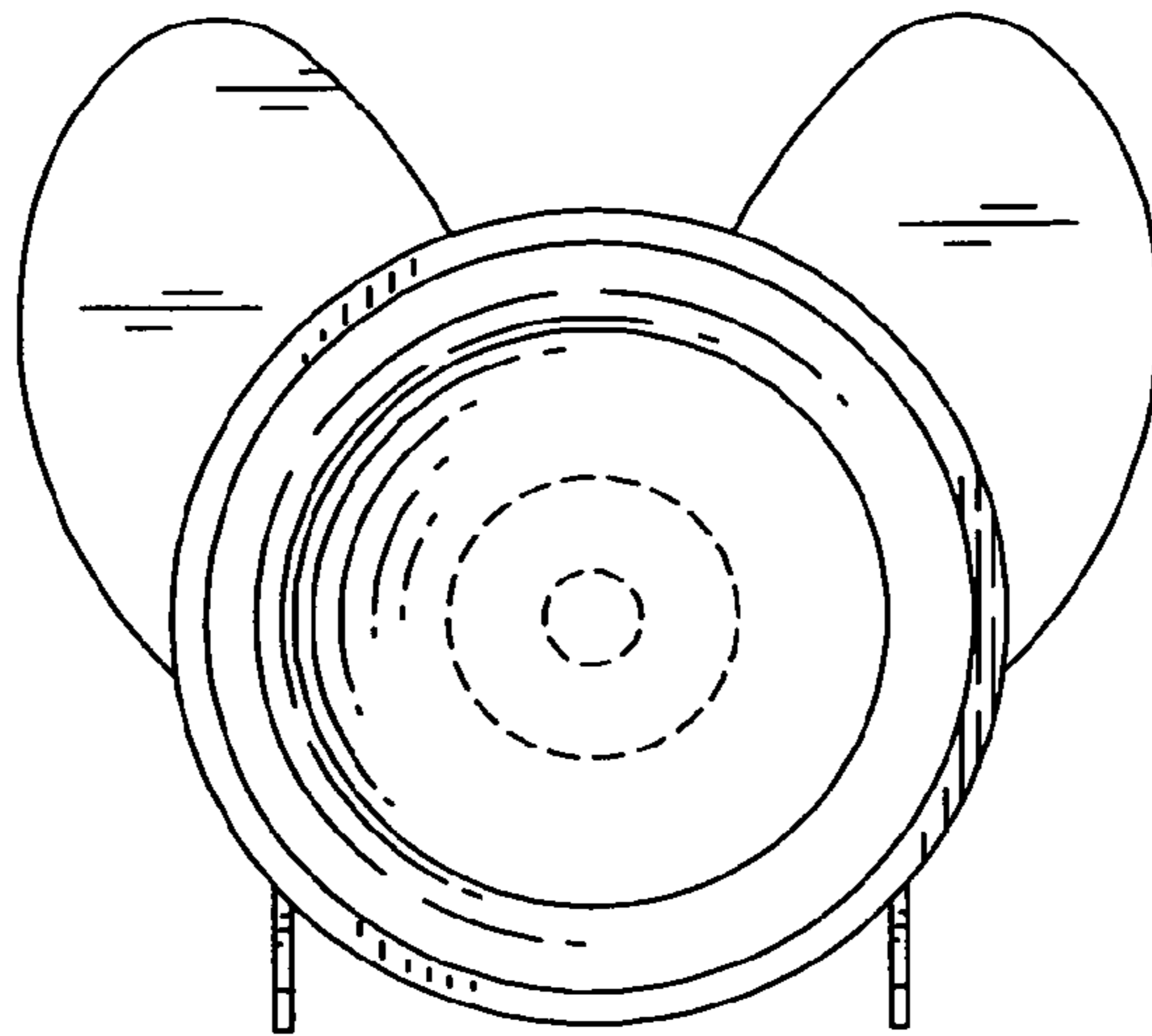
*Fig. 3*



*Fig. 4*



*Fig. 5*



*Fig. 6*