



US00D608551S

(12) **United States Design Patent**  
**Takada**

(10) **Patent No.:** **US D608,551 S**  
(45) **Date of Patent:** **\*\* Jan. 26, 2010**

(54) **BARBER OR BEAUTY CHAIR**

(75) Inventor: **Tomoaki Takada**, Osaka (JP)

(73) Assignee: **Takara Belmont Corporation**,  
Osaka-shi (JP)

(\*\*) Term: **14 Years**

(21) Appl. No.: **29/324,591**

(22) Filed: **Sep. 16, 2008**

(30) **Foreign Application Priority Data**

Apr. 1, 2008 (JP) ..... 2008-008279

(51) **LOC (9) Cl.** ..... **06-01**

(52) **U.S. Cl.** ..... **D6/335**

(58) **Field of Classification Search** ..... D6/334-338,  
D6/349, 355, 361, 368-370, 376, 379-381,  
D6/492, 500-502; 297/16.1, 42, 94, 135,  
297/175, 232, 233, 350, 351, 445.1, 448.1,  
297/448.2, 451.9; 5/12.1, 12.2

See application file for complete search history.

(56) **References Cited**

**U.S. PATENT DOCUMENTS**

2,449,385	A *	9/1948	Johnson et al. ....	433/33
D180,350	S *	5/1957	Armbruster .....	D6/360
D180,393	S *	6/1957	Diouhy .....	D6/360
D186,879	S *	12/1959	Klein .....	D6/360
D194,673	S *	2/1963	Watlington .....	D6/360
D267,987	S *	2/1983	Leffler et al. ....	D6/361
D300,657	S *	4/1989	Simpkins et al. ....	D24/183
4,852,941	A *	8/1989	Jones .....	297/188.01
4,863,217	A *	9/1989	Fountain .....	297/241
D321,097	S *	10/1991	Jones et al. ....	D6/367
D333,736	S *	3/1993	Nordstrom .....	D6/367
5,314,153	A *	5/1994	White .....	248/229.12
D354,176	S *	1/1995	Schwaegerle et al. ....	D6/360
D354,177	S *	1/1995	Schwaegerle et al. ....	D6/360
D379,409	S *	5/1997	Schwaegerle et al. ....	D6/367

5,645,313	A *	7/1997	Best et al. ....	297/68
D412,621	S *	8/1999	Smith et al. ....	D6/367
D423,262	S *	4/2000	Smith et al. ....	D6/501
D426,715	S *	6/2000	Smith et al. ....	D6/367
6,106,065	A *	8/2000	Carroll .....	297/330
6,382,725	B1 *	5/2002	Carroll .....	297/330
D487,196	S *	3/2004	Krayeski .....	D6/336
7,290,836	B2 *	11/2007	Nordstrom et al. ....	297/452.36
D591,963	S *	5/2009	Lifeng .....	D6/336
2007/0216205	A1 *	9/2007	Davis .....	297/241
2008/0161736	A1 *	7/2008	Leifer .....	601/134

**FOREIGN PATENT DOCUMENTS**

JP	102313-1	9/1953
JP	102313-1	9/1954
JP	1005636	3/1998

\* cited by examiner

*Primary Examiner*—Sandra Snapp

(74) *Attorney, Agent, or Firm*—Kratz, Quintos & Hanson, LLP

(57) **CLAIM**

The ornamental design for a barber or beauty chair, as shown and described.

**DESCRIPTION**

FIG. 1 is a front view of a barber or beauty chair, showing my design;

FIG. 2 is a rear view thereof;

FIG. 3 is a left side view thereof;

FIG. 4 is a right side view thereof;

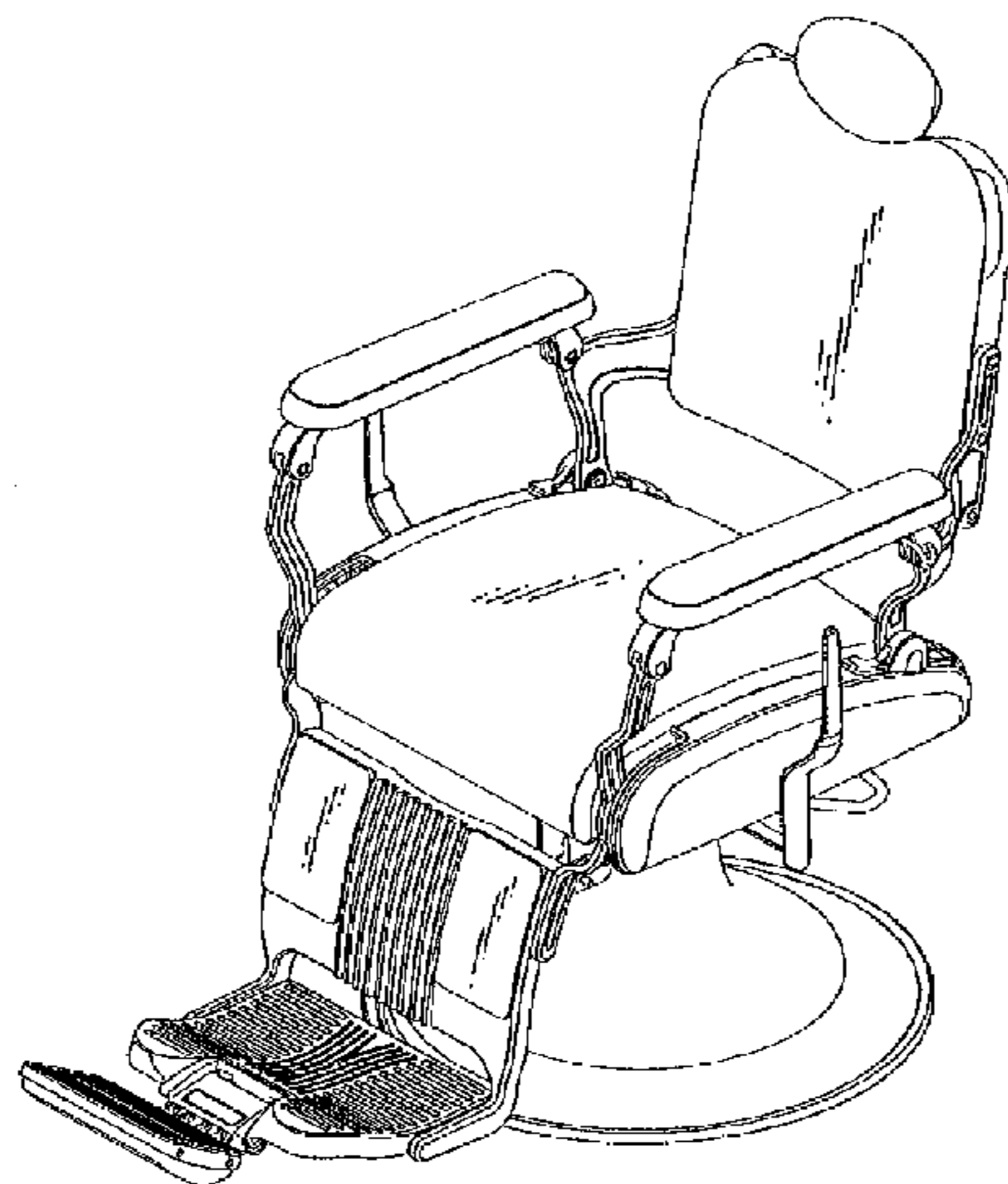
FIG. 5 is a top plan view thereof;

FIG. 6 is a bottom view thereof; and,

FIG. 7 is a perspective view thereof.

The broken lines shown in the drawings are for illustrative purposes only and form no part of the claimed design.

**1 Claim, 5 Drawing Sheets**



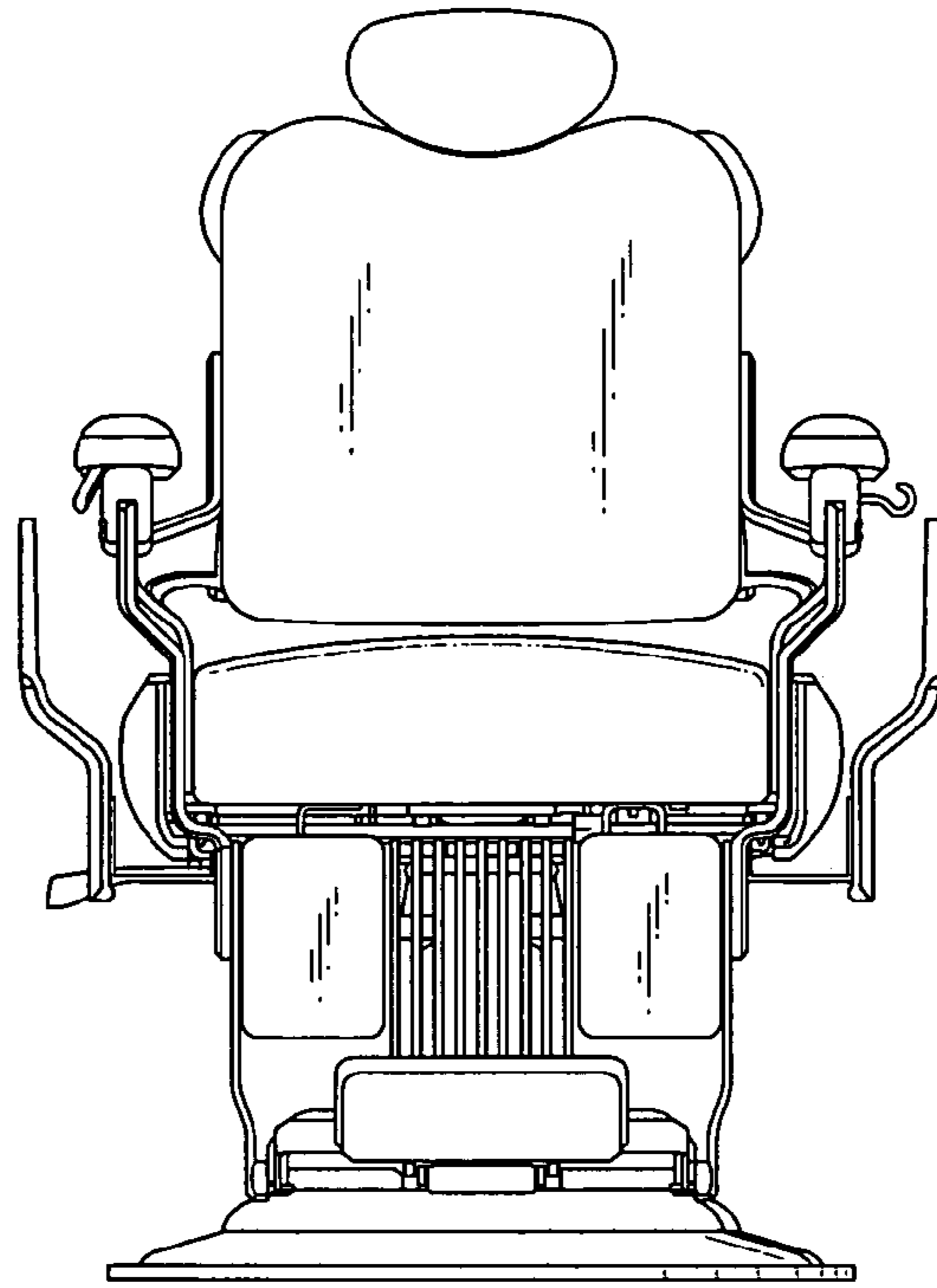


Fig. 1

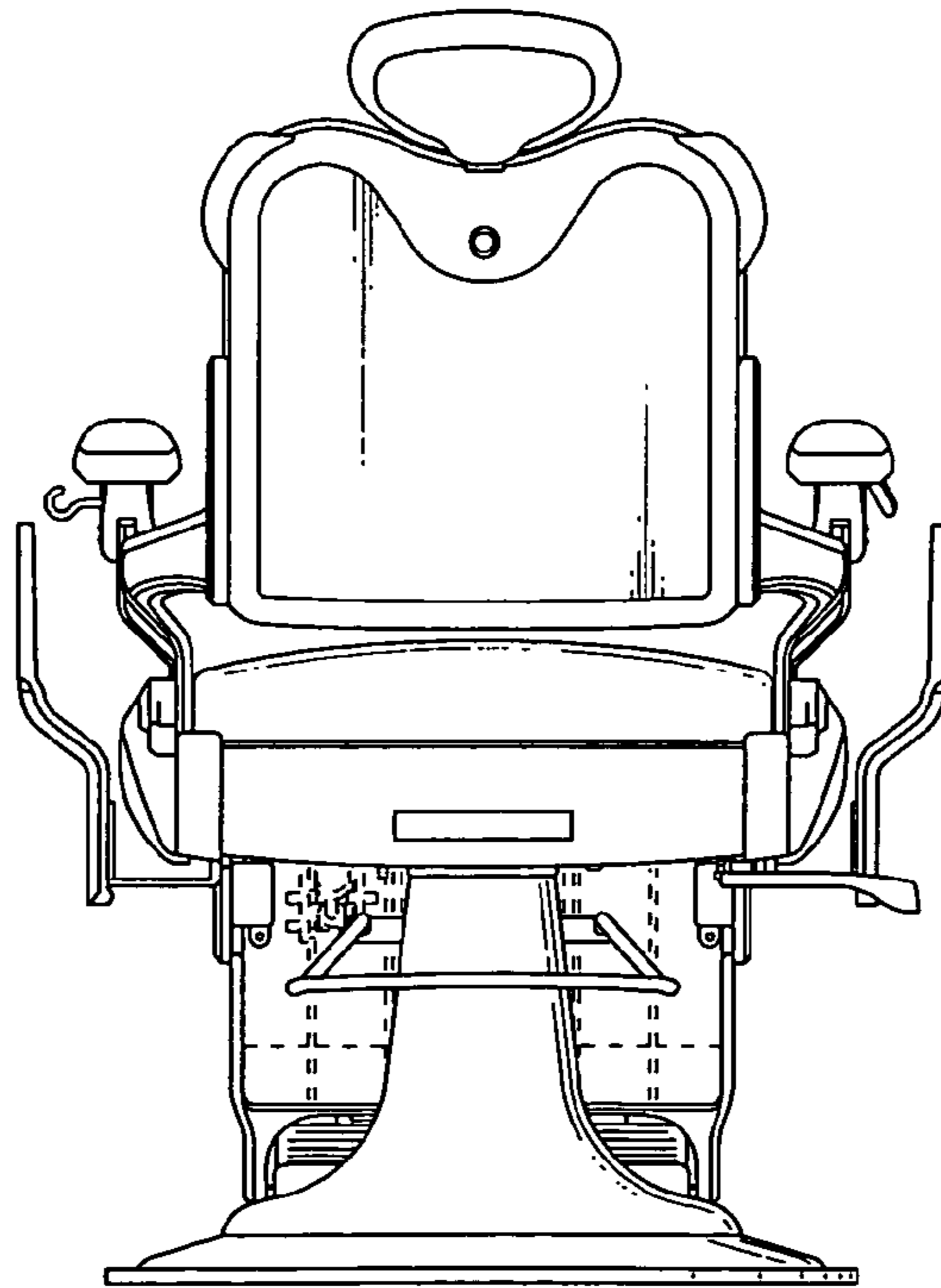


Fig. 2

FIG. 3

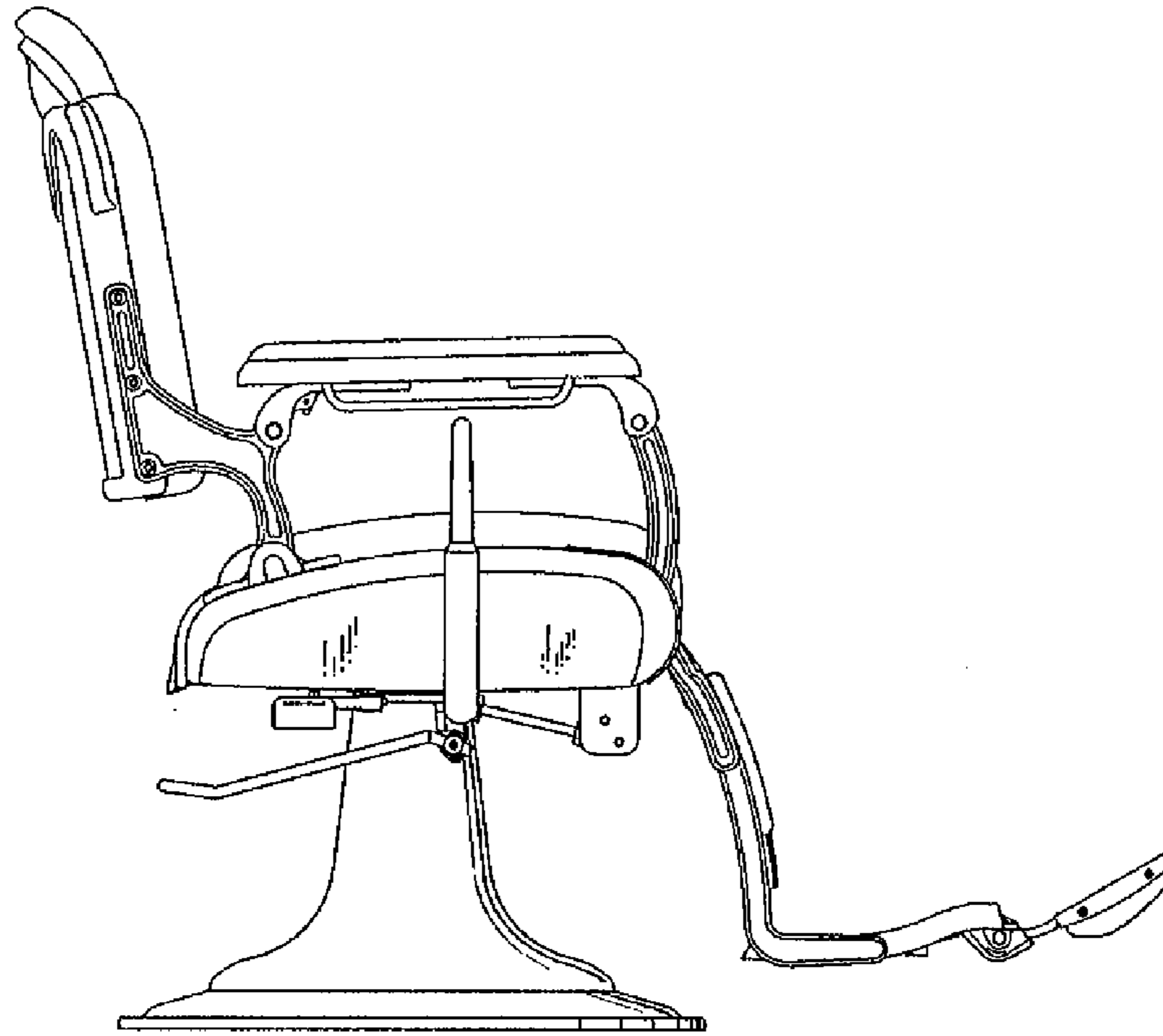


FIG. 4

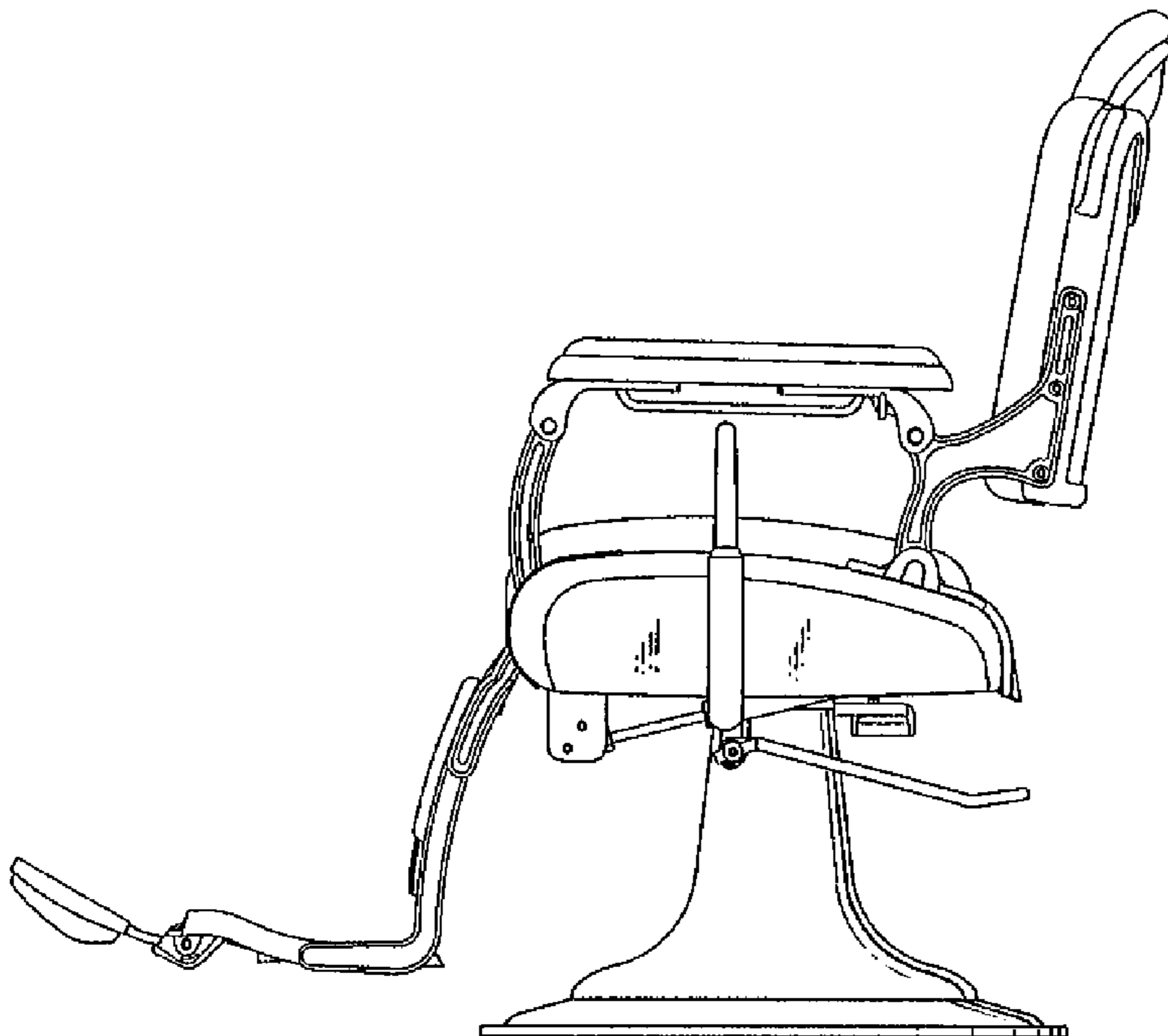


FIG. 5

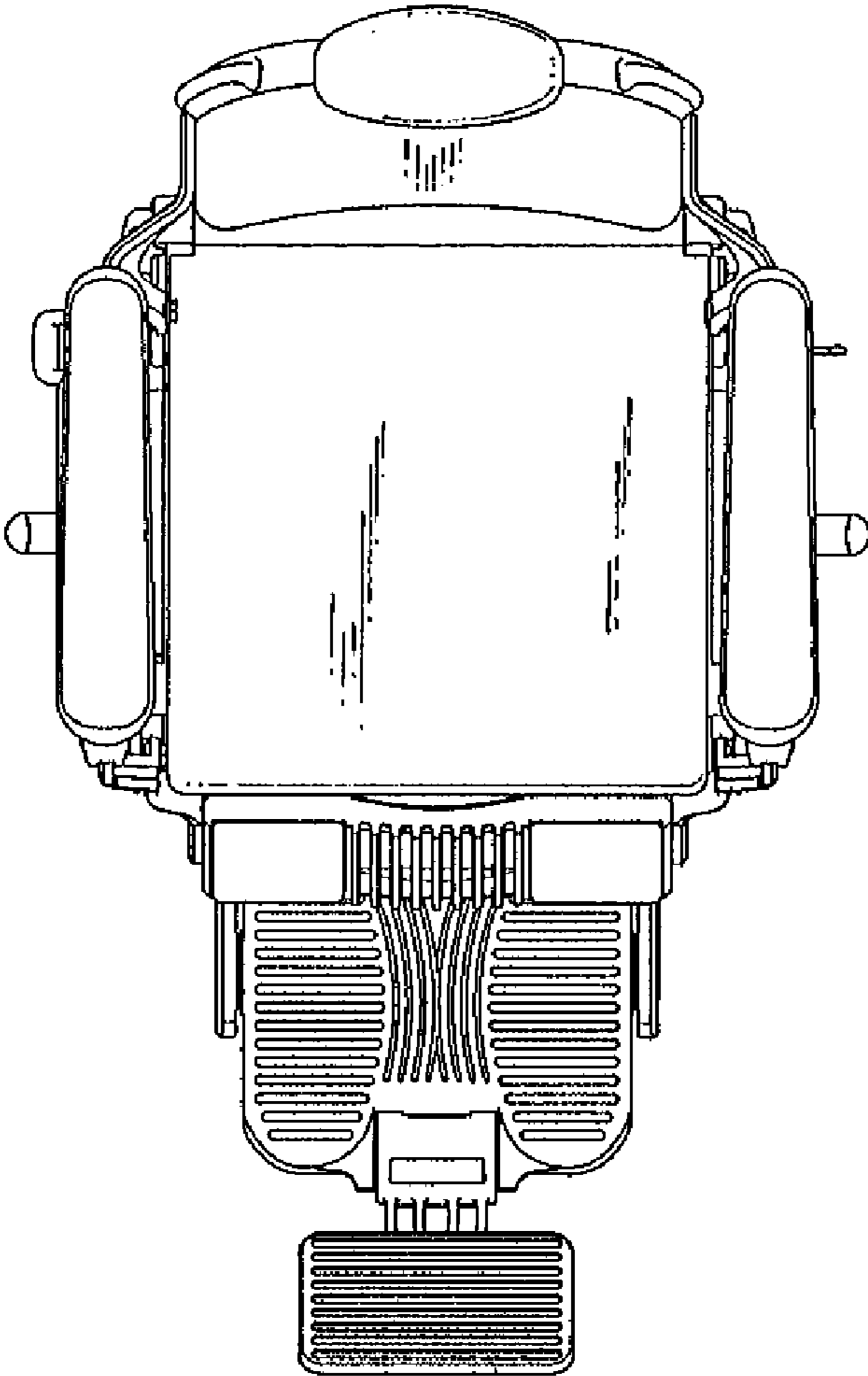


FIG. 6

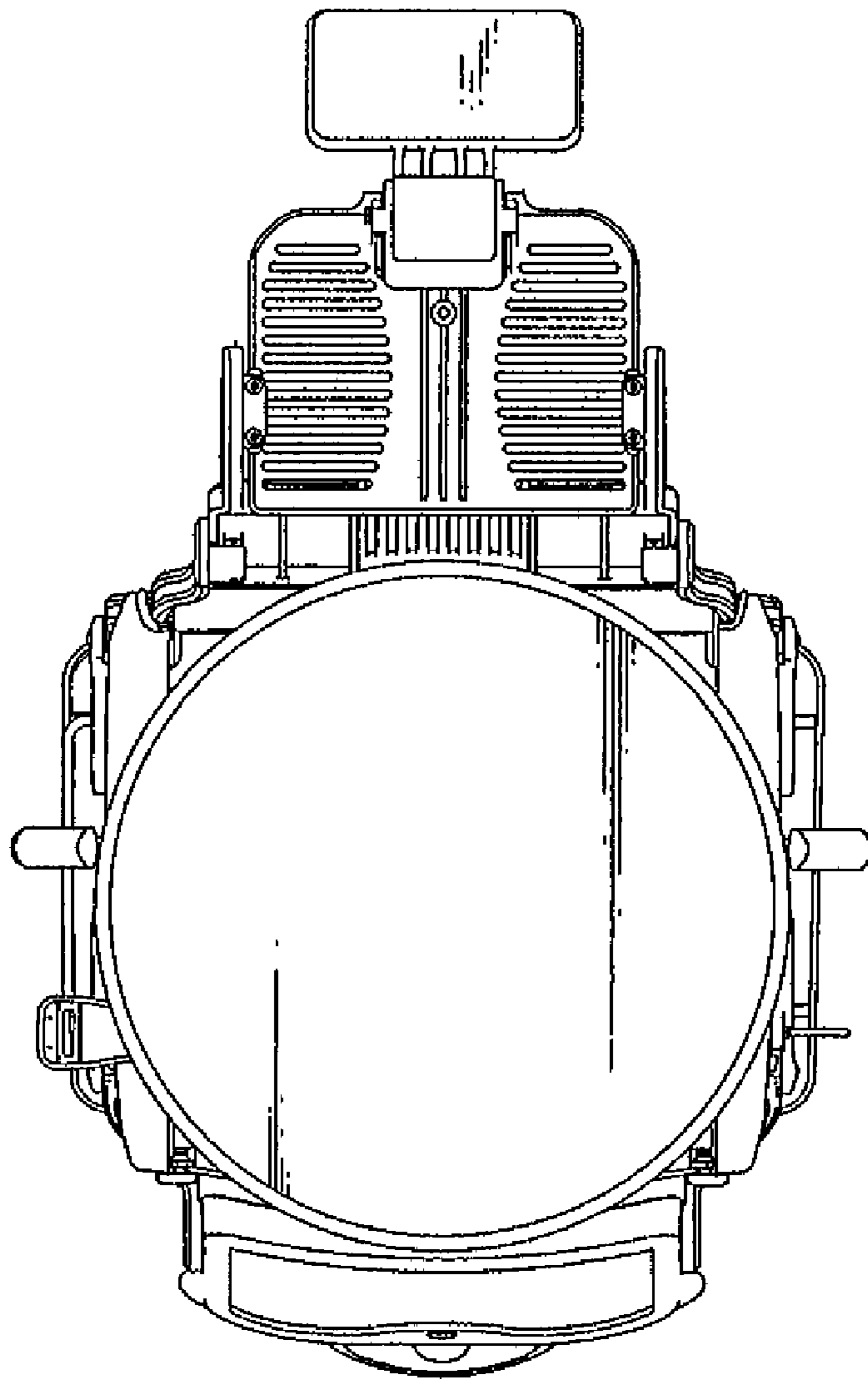


FIG. 7

