



US00D608547S

(12) **United States Design Patent**
Peng

(10) **Patent No.:** **US D608,547 S**

(45) **Date of Patent:** **** Jan. 26, 2010**

(54) **DIGITAL PHOTO FRAME**

D585,652 S * 2/2009 Kuo D6/308

(75) Inventor: **Chiun-Ping Peng**, Shenzhen (CN)

* cited by examiner

(73) Assignee: **Action Technology (SZ) Co., Ltd.**,
Shenzhen (CN)

Primary Examiner—Caron Veynar
Assistant Examiner—Sydney R Buffalow

(**) Term: **14 Years**

(74) *Attorney, Agent, or Firm*—Morris, Manning & Martin
LLP; Tim Tingkang Xia

(21) Appl. No.: **29/338,060**

(57) **CLAIM**

(22) Filed: **Jun. 3, 2009**

The ornamental design for a digital photo frame, as shown
and described.

(51) **LOC (9) Cl.** **06-07**

(52) **U.S. Cl.** **D6/310**

(58) **Field of Classification Search** D6/308,
D6/310, 300; D10/1, 15, 26, 3, 4, 2; D14/141.2,
D14/144, 371; 40/700

See application file for complete search history.

DESCRIPTION

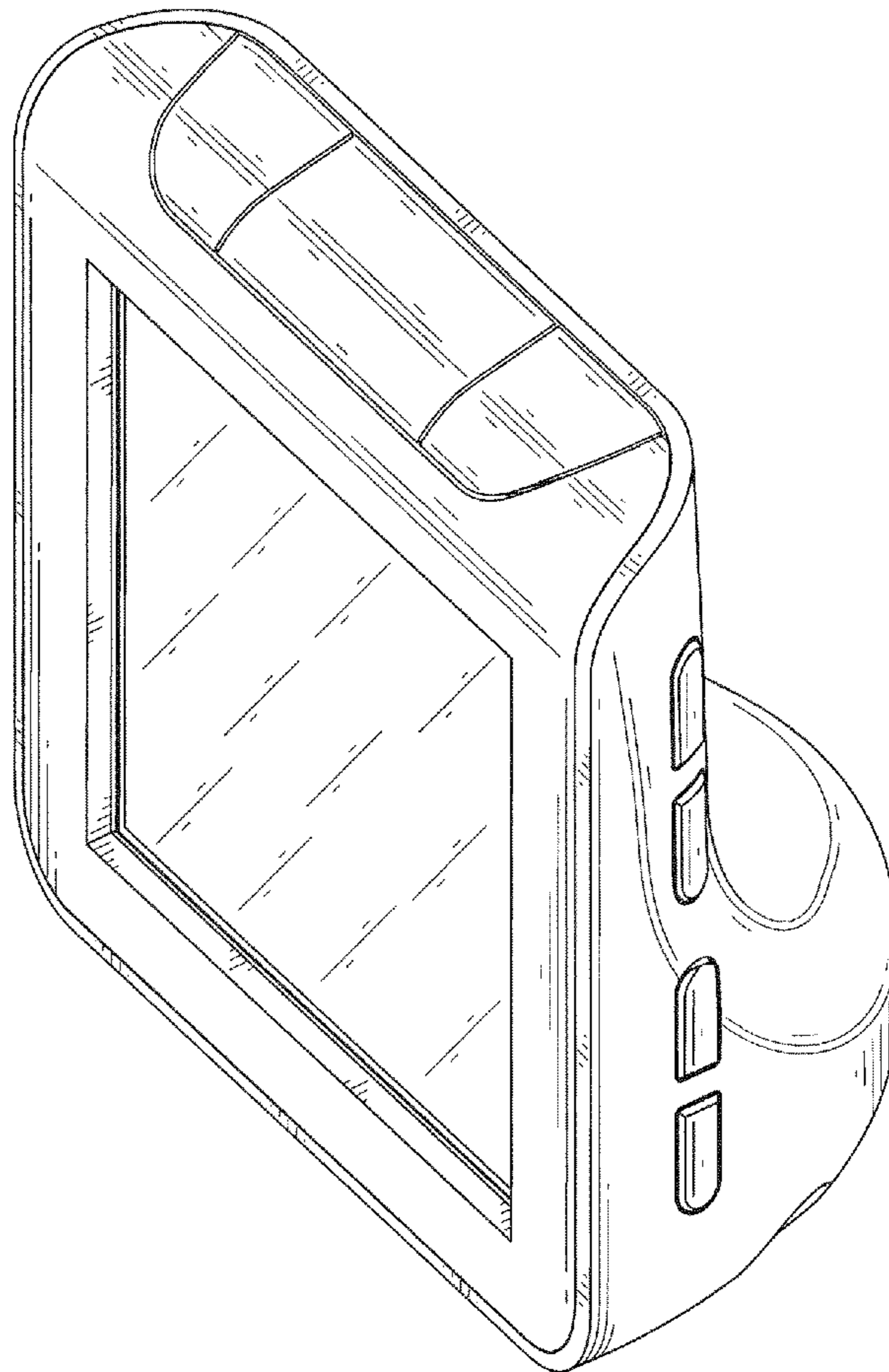
(56) **References Cited**

U.S. PATENT DOCUMENTS

D41,125 S *	1/1911	Klee	D6/310
D212,886 S *	12/1968	Gordon	D6/310
D262,664 S *	1/1982	Willits, Jr.	D6/308
D335,963 S *	6/1993	Tracey	D6/310
D359,488 S *	6/1995	Hui	D14/141.2

FIG. 1 is a perspective view of a digital photo frame;
FIG. 2 is a rear perspective view thereof;
FIG. 3 is a front elevational view thereof;
FIG. 4 is a rear elevational view thereof;
FIG. 5 is a left side elevational view thereof;
FIG. 6 is a right side elevational view thereof;
FIG. 7 is a top plan view thereof; and,
FIG. 8 is a bottom plan view thereof.

1 Claim, 8 Drawing Sheets



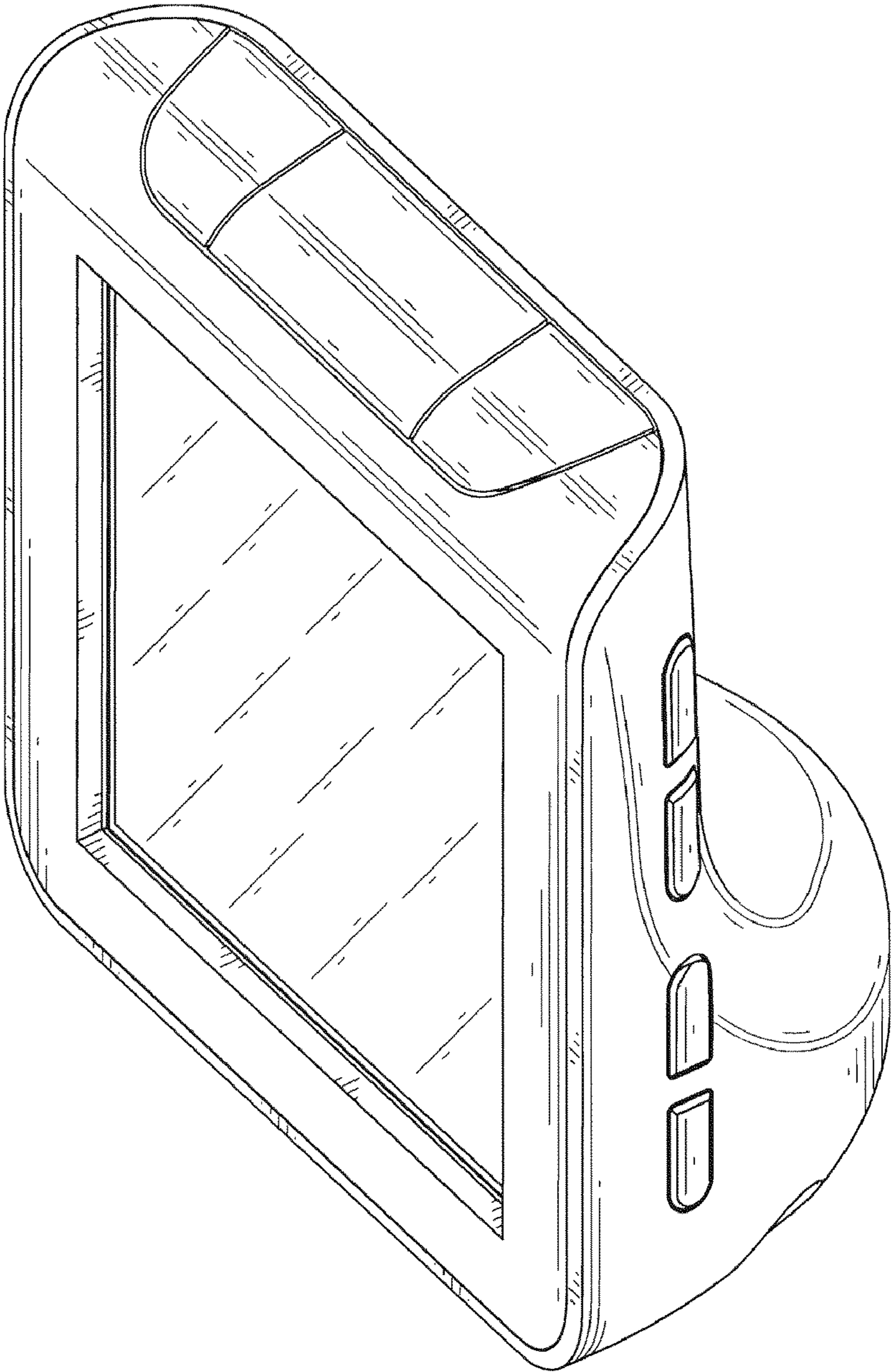


FIG. 1

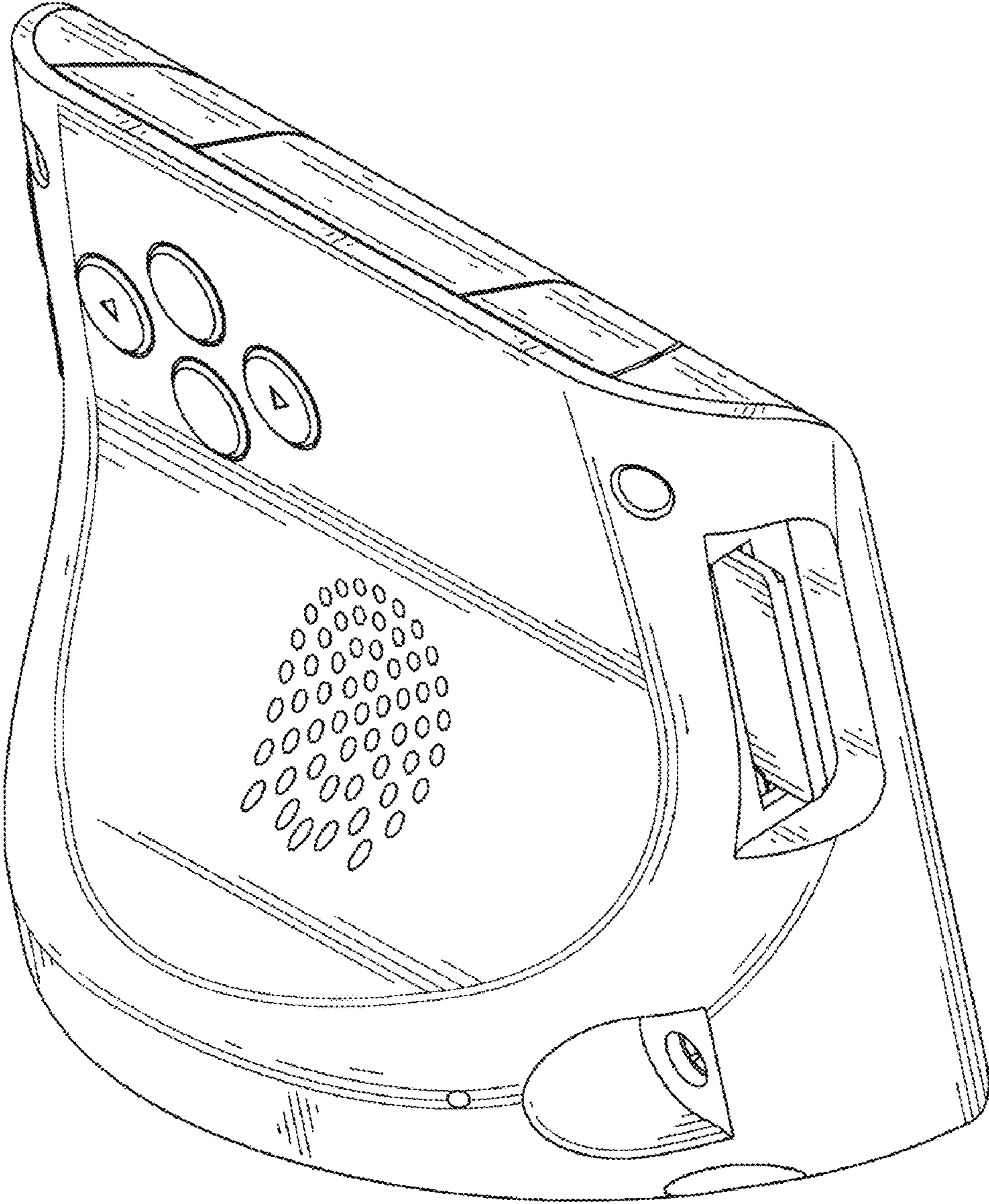


FIG. 2

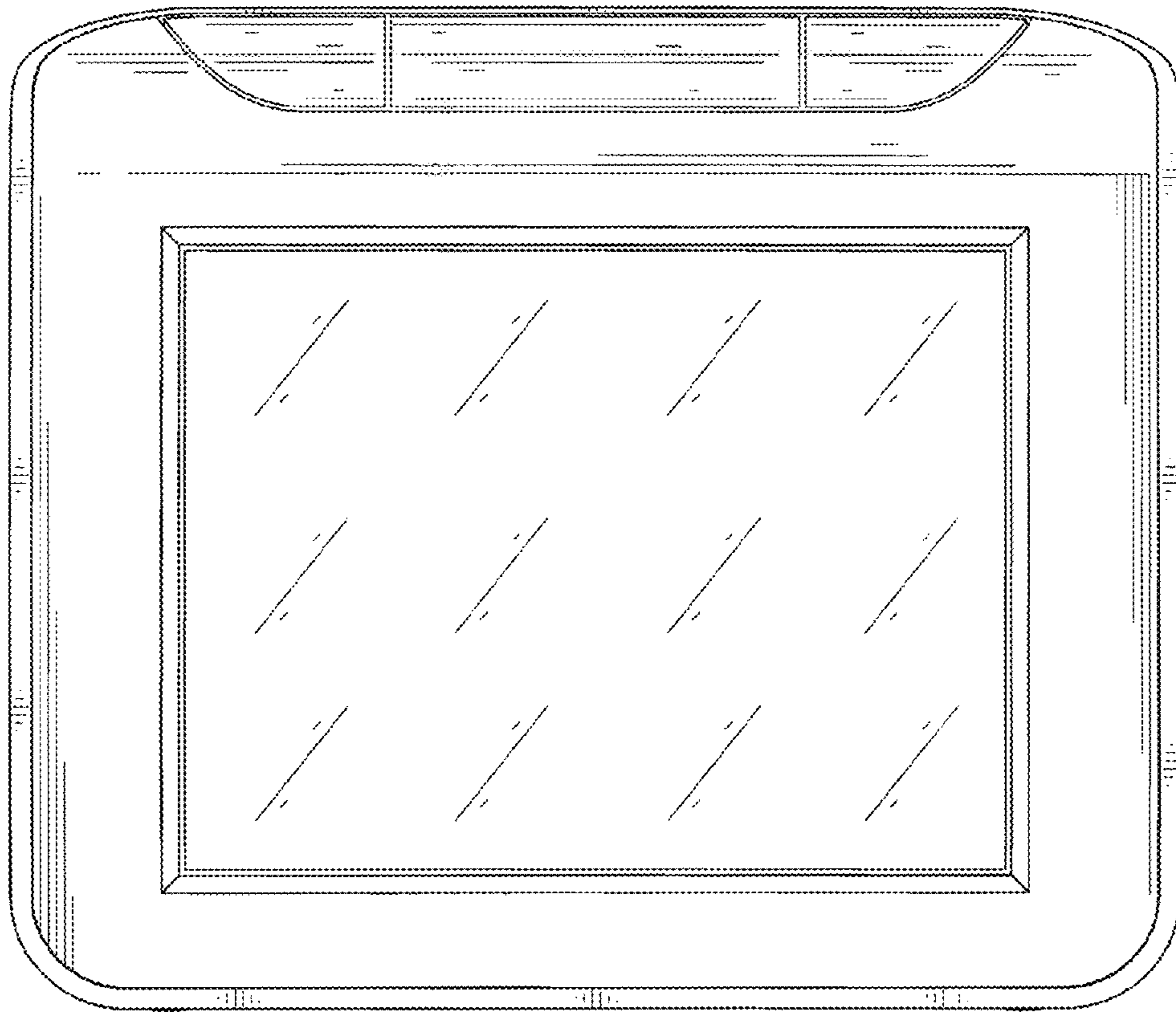


FIG. 3

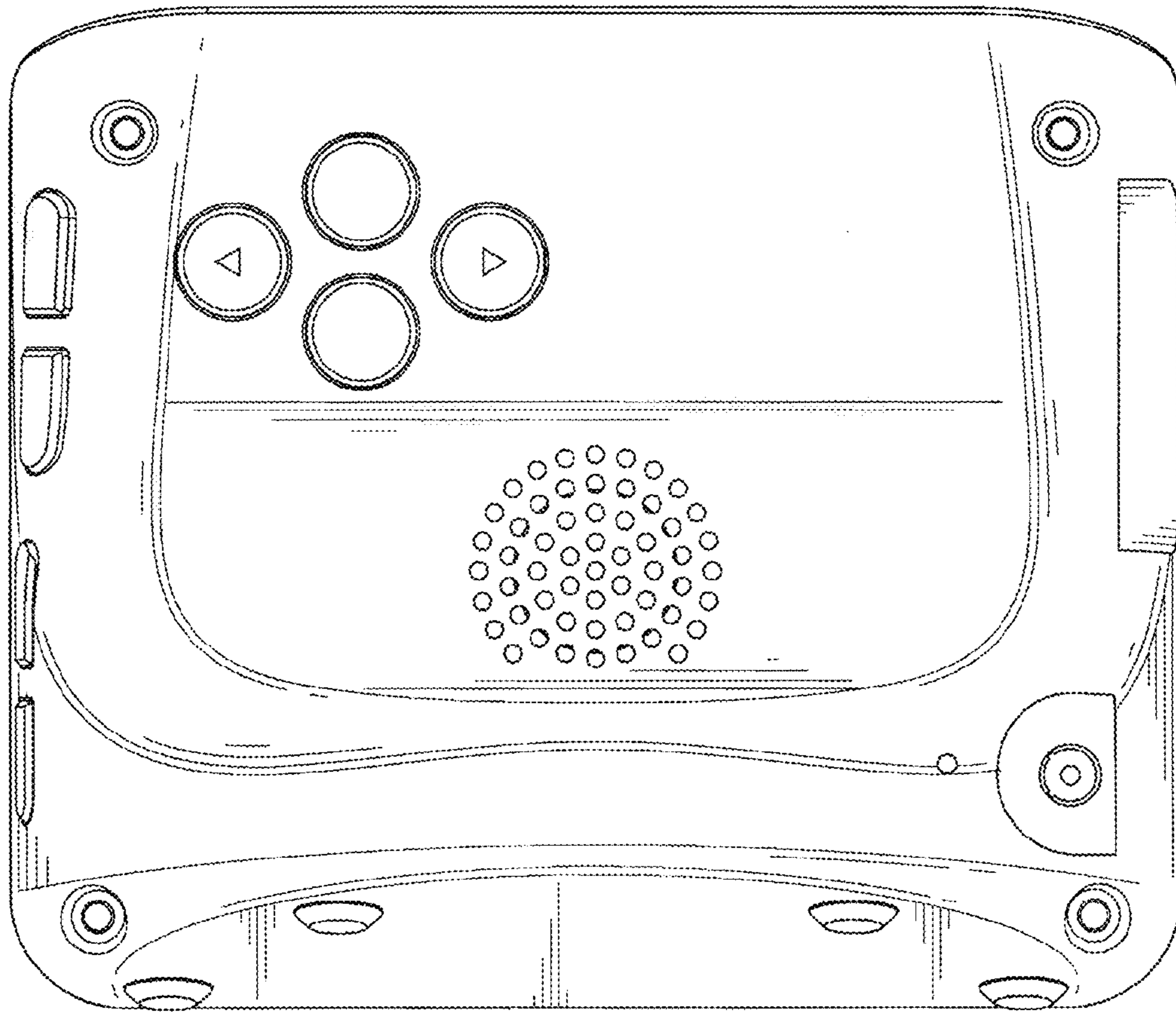


FIG. 4

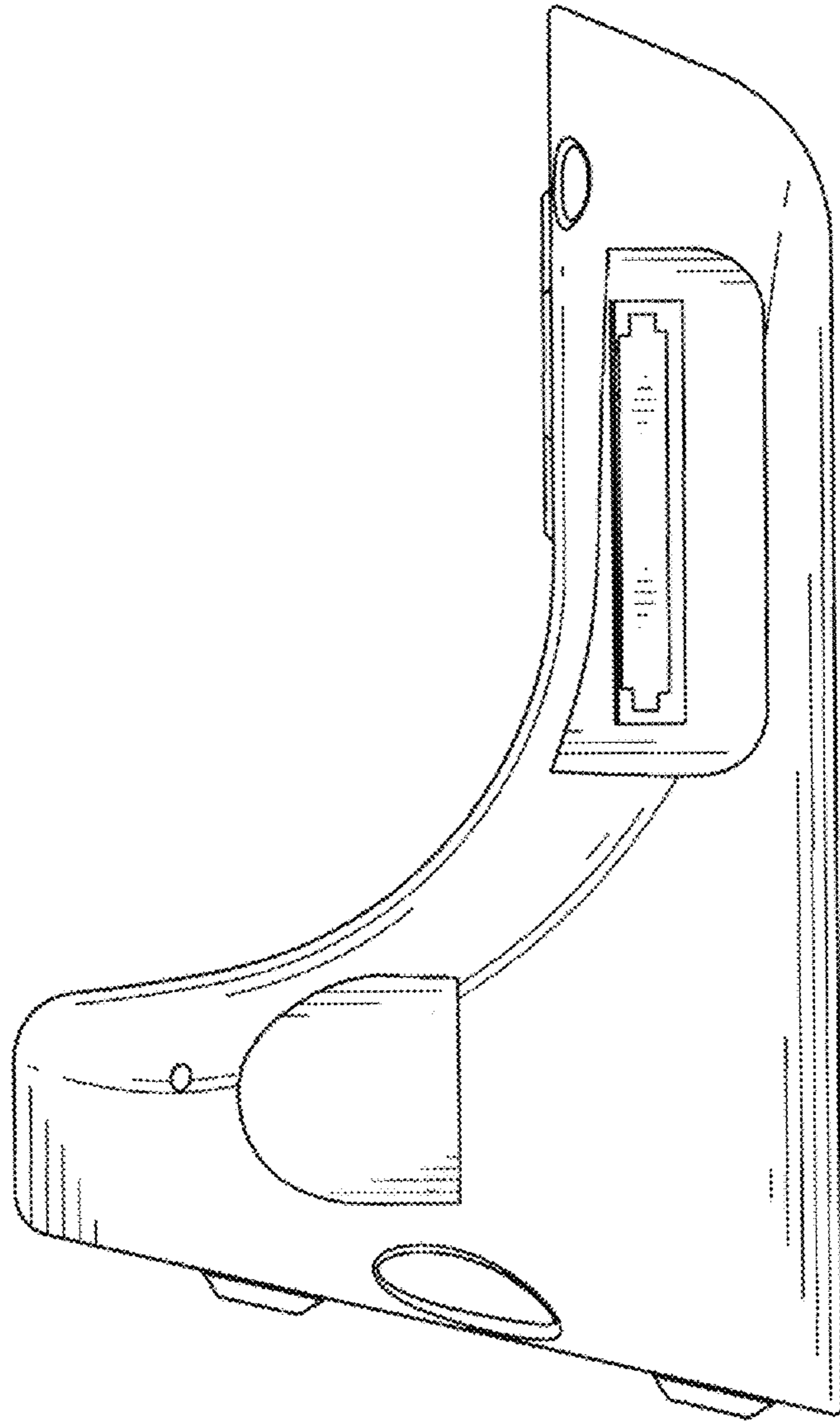


FIG. 5

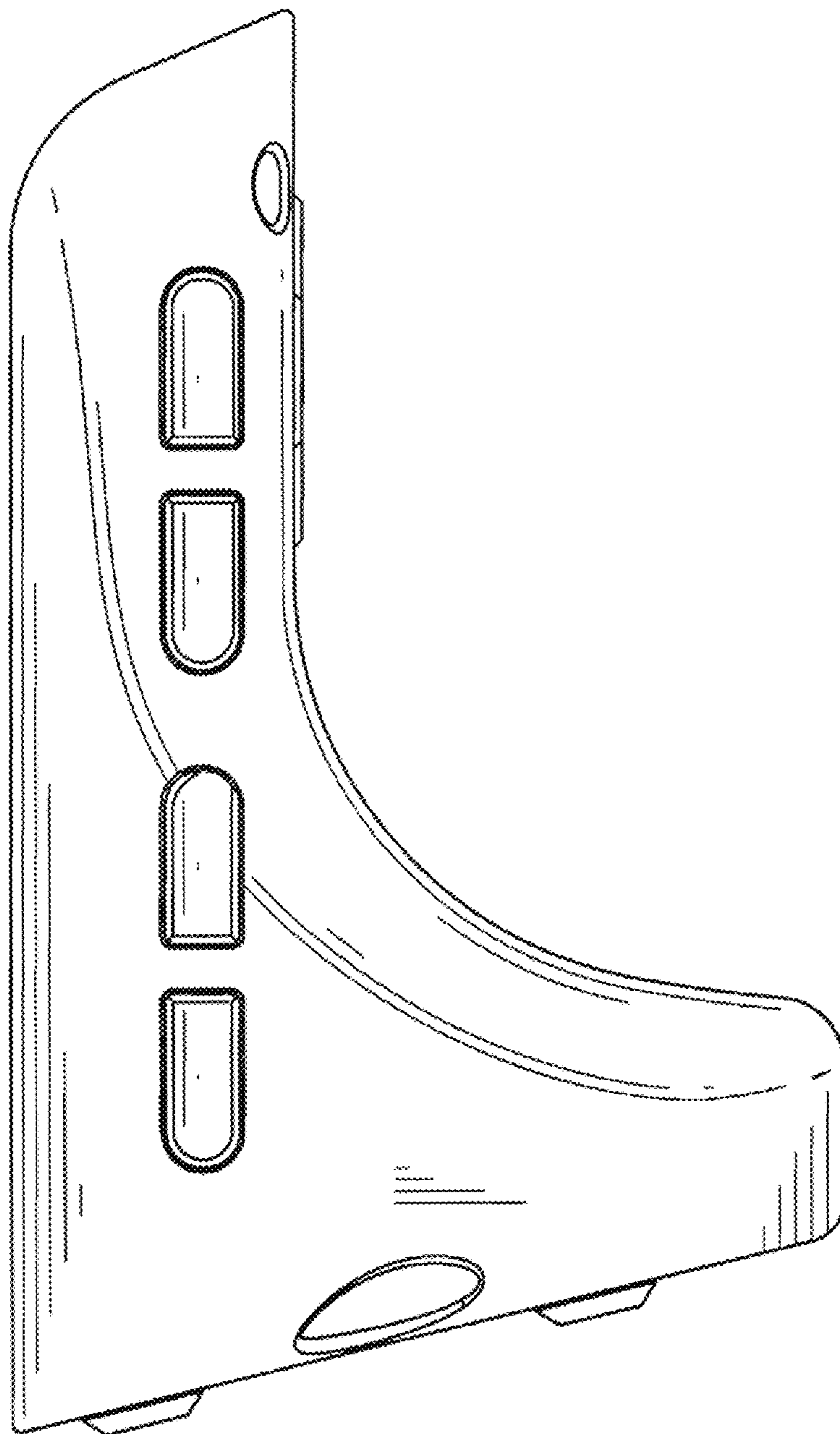


FIG. 6

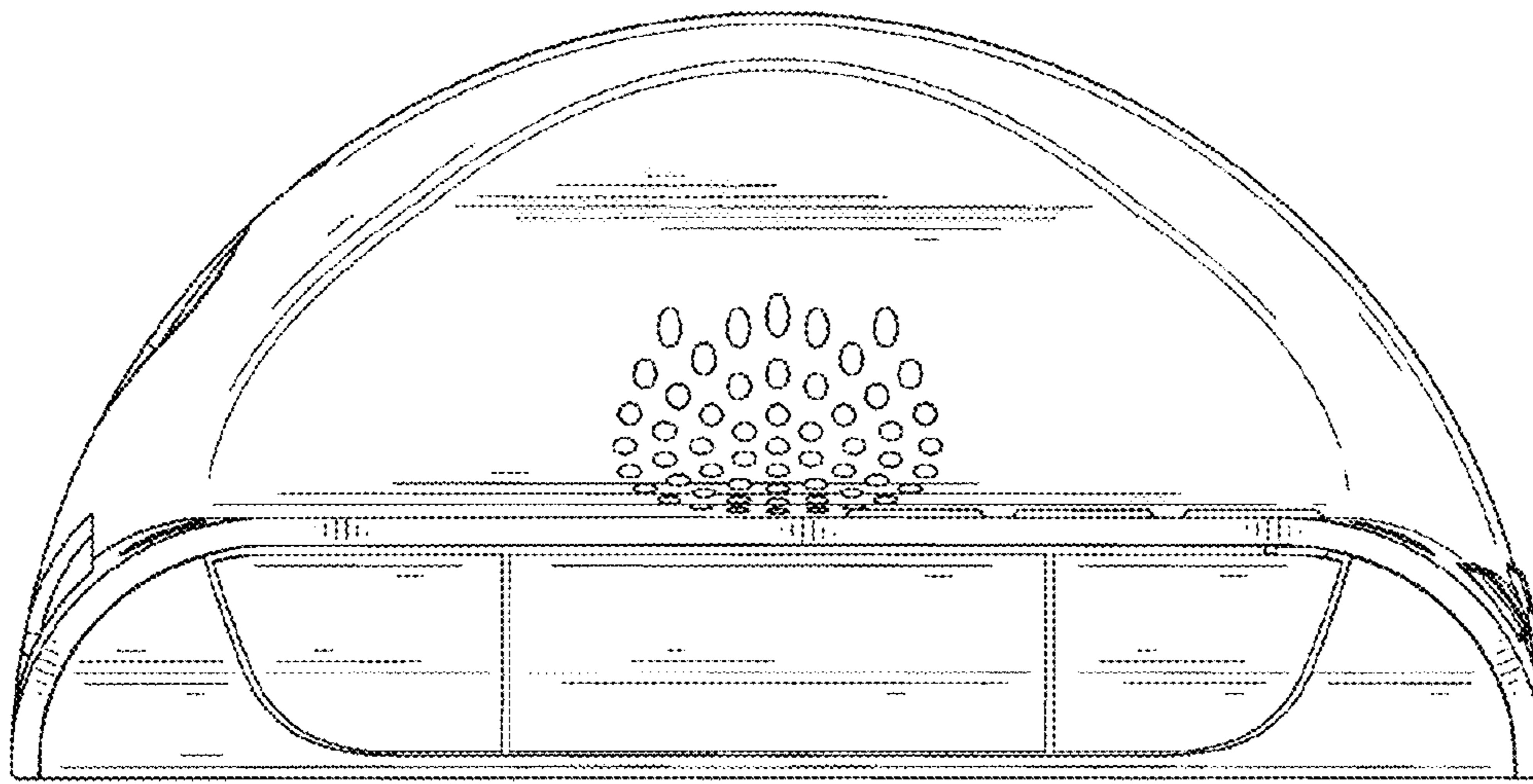


FIG. 7

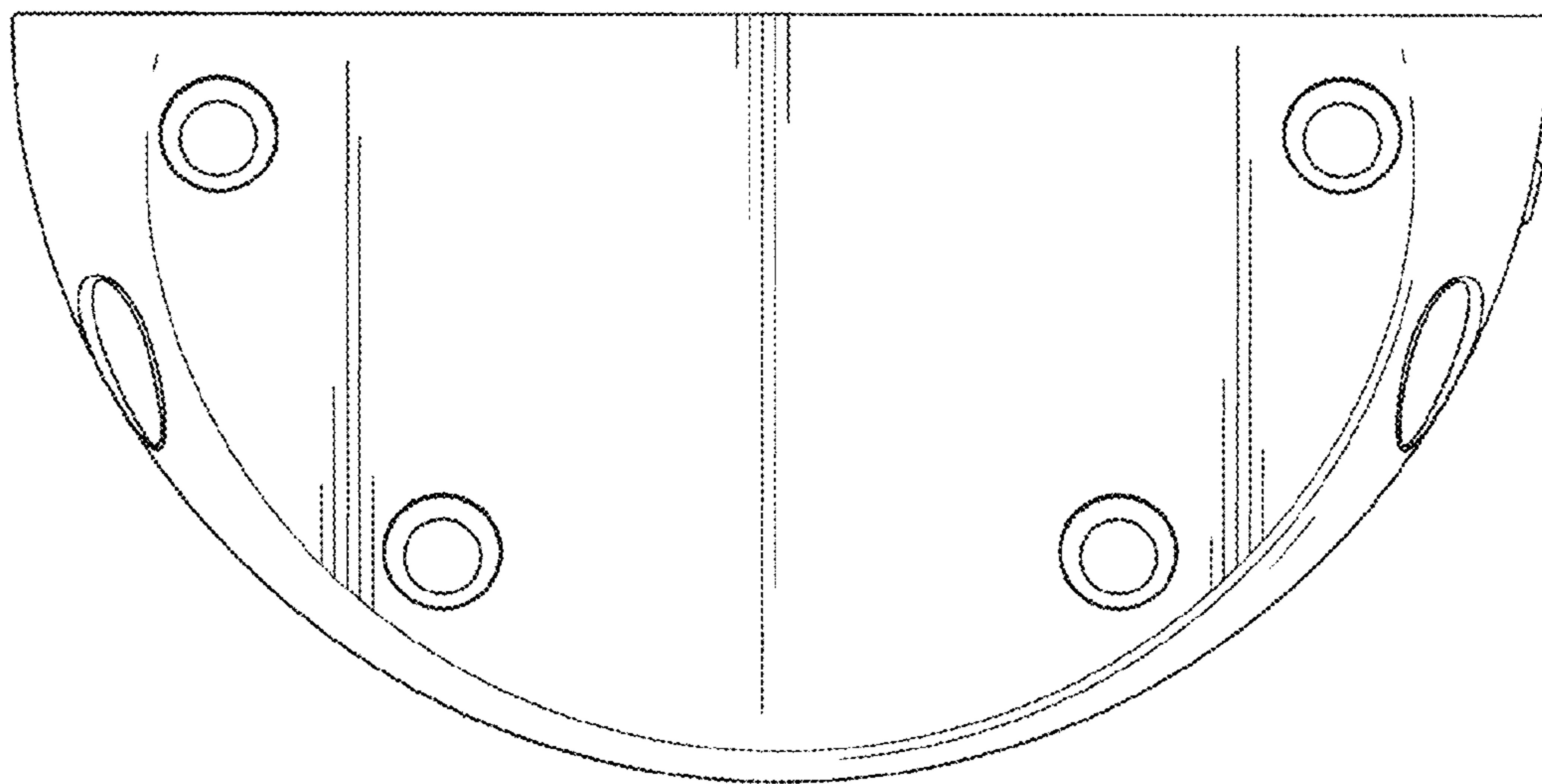


FIG. 8