



US00D608545S

(12) **United States Design Patent**  
**Yu et al.**

(10) **Patent No.:** **US D608,545 S**  
(45) **Date of Patent:** **\*\* Jan. 26, 2010**

(54) **POWER TOOTHBRUSH HANDLE**

(75) Inventors: **LongSheng Yu**, South Grafton, MA (US); **Jose Tadeo Vergara de Castro**, Newton, MA (US)

(73) Assignee: **The Gillette Company**, Boston, MA (US)

(\*\*) Term: **14 Years**

(21) Appl. No.: **29/288,643**

(22) Filed: **Jun. 18, 2007**

(51) **LOC (9) Cl.** ..... **28-03**

(52) **U.S. Cl.** ..... **D4/101; D4/138**

(58) **Field of Classification Search** ..... D4/101, D4/104-112, 132-134, 136, 138; D24/133, D24/146, 147, 152; 15/22.1, 22.2, 28, 29, 15/167.1, 167.2; 132/308-311; 601/142, 601/162, 163; 433/80, 89, 114, 125, 141, 433/142; D8/61; 81/57.11, 57.31, 57.42

See application file for complete search history.

(56) **References Cited**

**U.S. PATENT DOCUMENTS**

D212,613	S	*	11/1968	Fontana	.....	D24/147
3,524,208	A	*	8/1970	Mattingly	.....	15/22.1
5,165,131	A	*	11/1992	Staar	.....	15/22.1
D370,125	S	*	5/1996	Craft et al.	.....	D4/101
D389,915	S	*	1/1998	Emerson et al.	.....	D24/144
D465,279	S	*	11/2002	Etter et al.	.....	D24/133
D490,152	S	*	5/2004	Myall et al.	.....	D24/133
D500,599	S	*	1/2005	Callaghan	.....	D4/101
D516,818	S	*	3/2006	Hohibein et al.	.....	D4/104
D533,720	S	*	12/2006	Vu	.....	D4/101

\* cited by examiner

*Primary Examiner*—Melanie H Tung  
*Assistant Examiner*—Lavone D Tabor

(74) *Attorney, Agent, or Firm*—George H. Leal; Vladimir Vitenberg; James C. Vago

(57) **CLAIM**

The ornamental design for a power toothbrush handle, as shown and described.

**DESCRIPTION**

FIG. 1 is a perspective view as seen from the bottom, front, and right side of a power toothbrush handle showing our new design;

FIG. 2 is a left side view thereof

FIG. 3 is a right side view thereof;

FIG. 4 is bottom view thereof; and

FIG. 5 is a top view thereof;

FIG. 6 is a front elevational view thereof;

FIG. 7 is a rear elevational view thereof;

FIG. 8 is a perspective view as seen from the bottom, front, and right side of another embodiment of a power toothbrush handle showing our new design;

FIG. 9 is left side view thereof;

FIG. 10 is a right side view thereof;

FIG. 11 is bottom side view thereof;

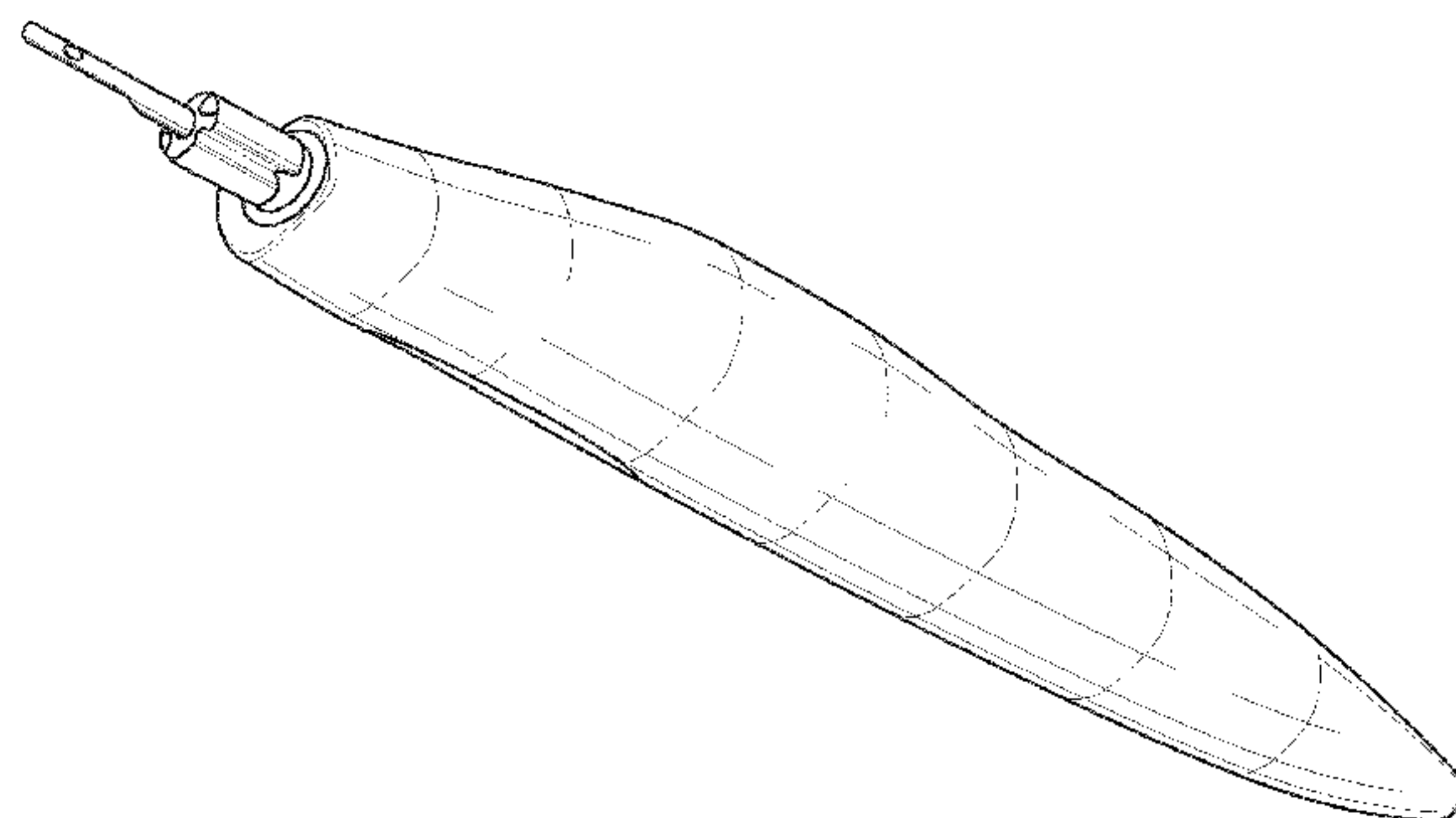
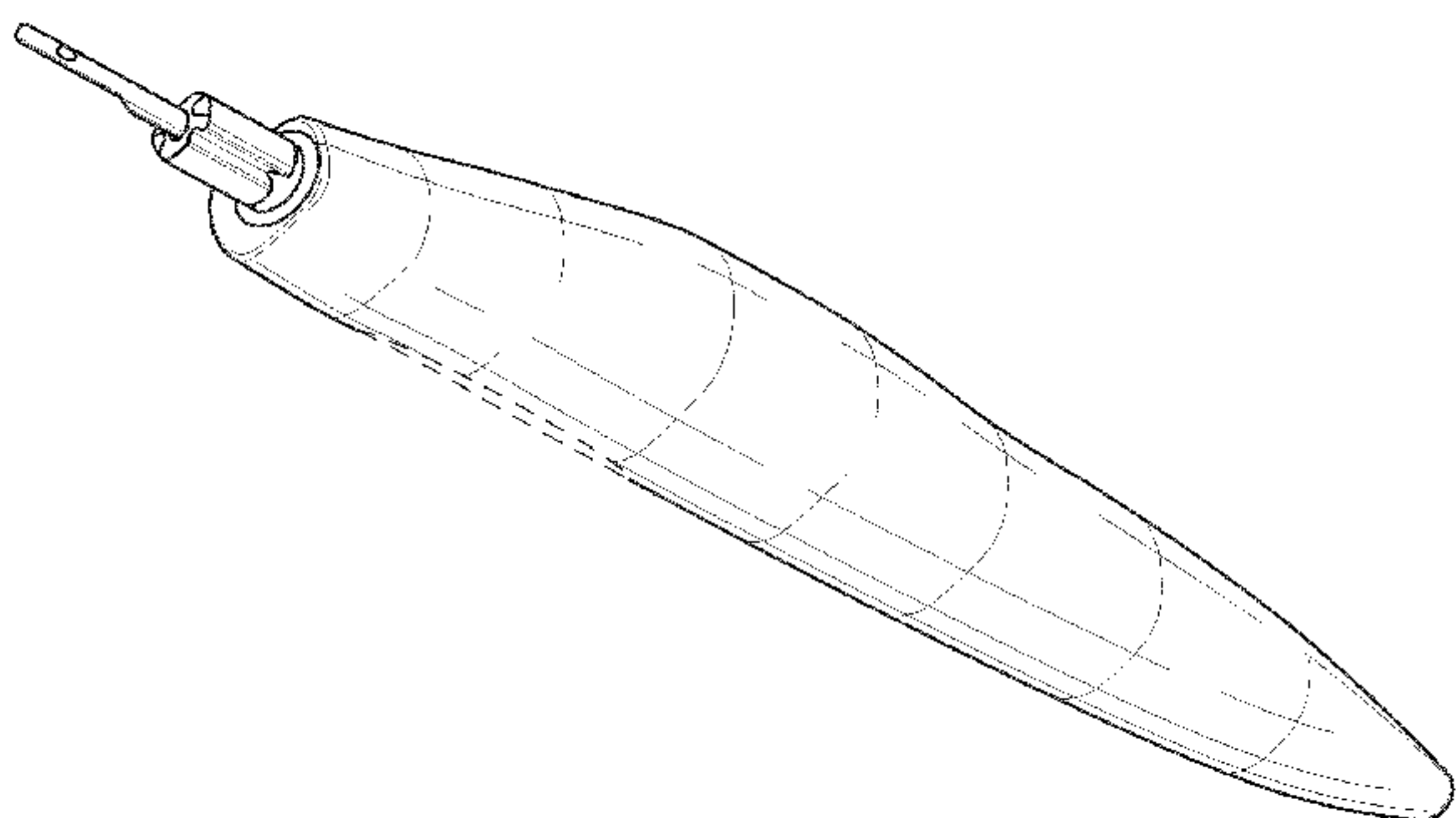
FIG. 12 is a top side view thereof;

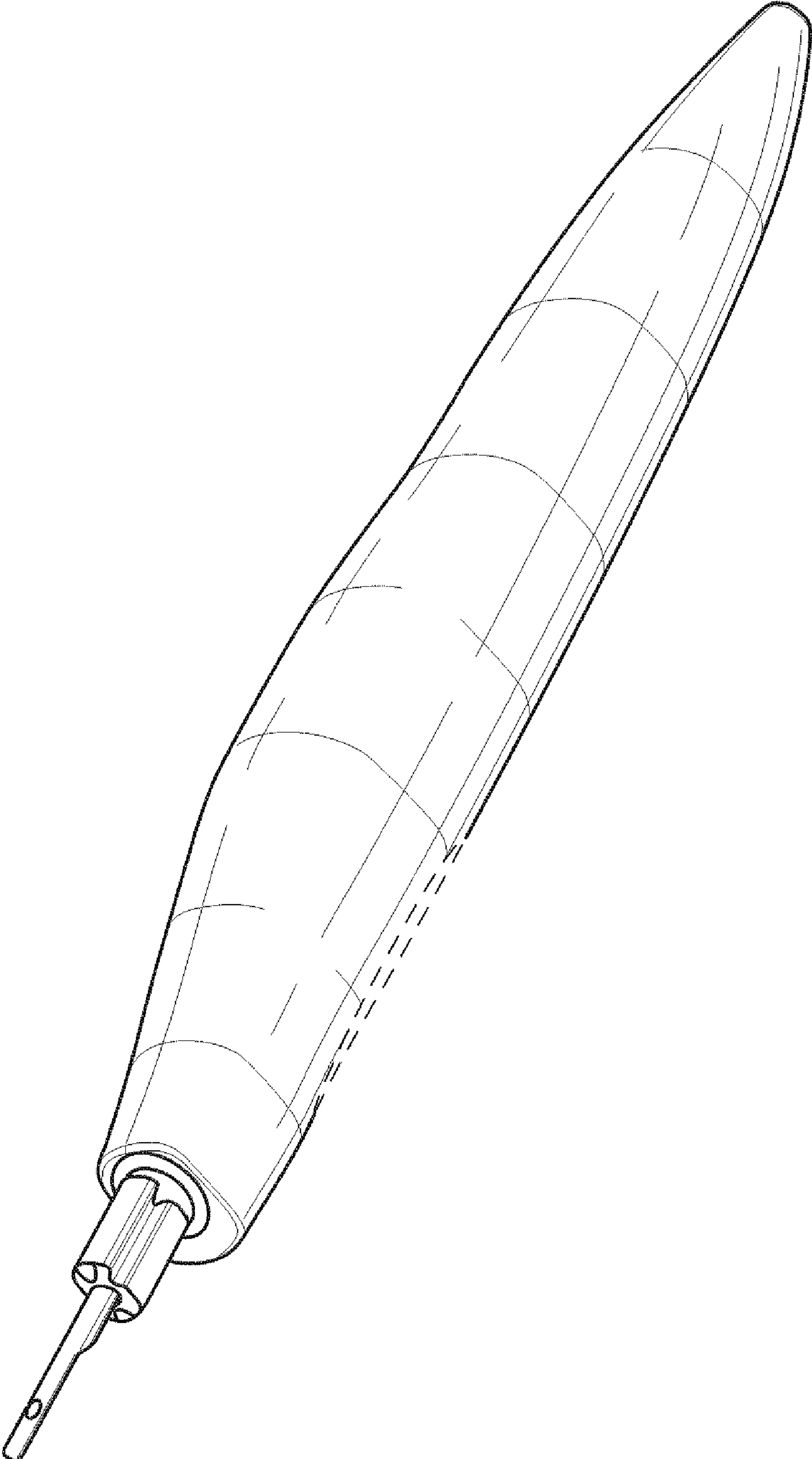
FIG. 13 is a front elevational view thereof; and,

FIG. 14 is a rear elevational view thereof.

The broken line showing on the handle in the first embodiment is for the purpose of illustrating a portion of the article that forms no part of that embodiment.

**1 Claim, 10 Drawing Sheets**





**Fig. 1**

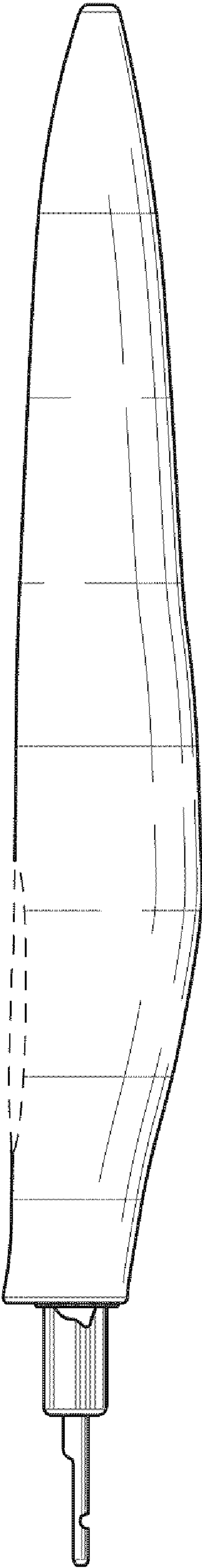


Fig. 2

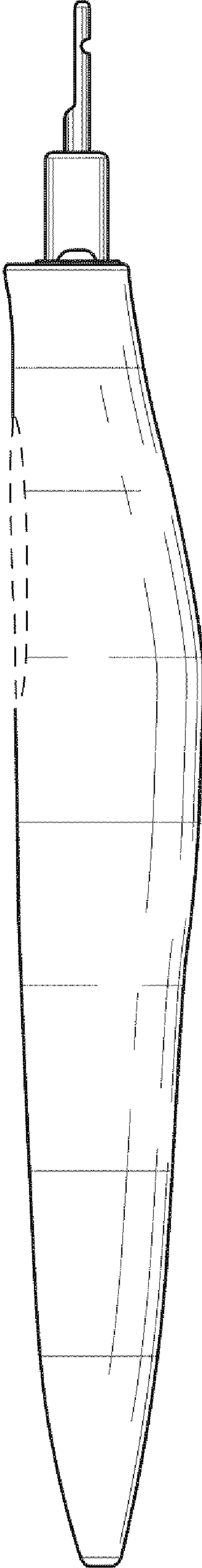
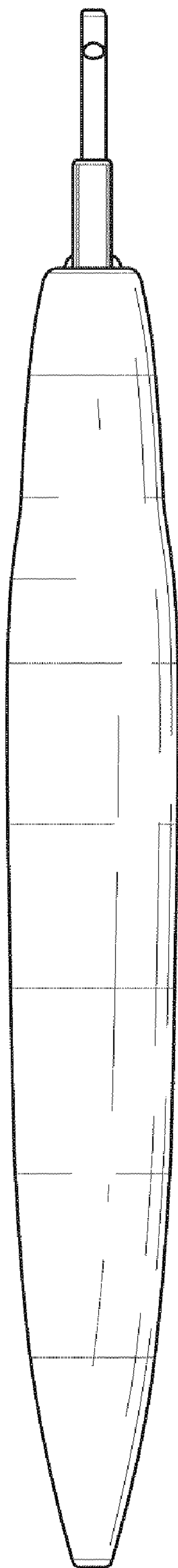
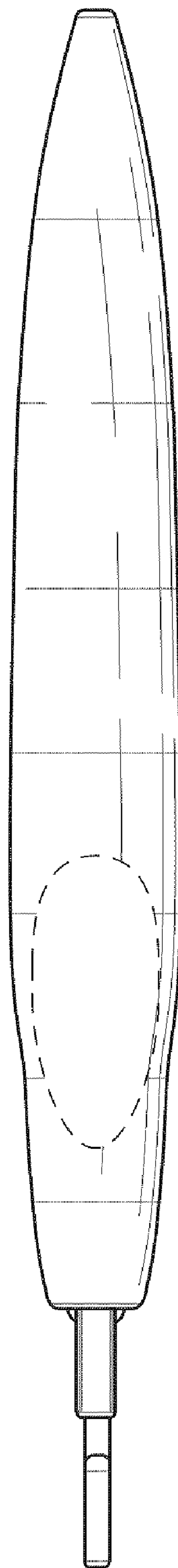


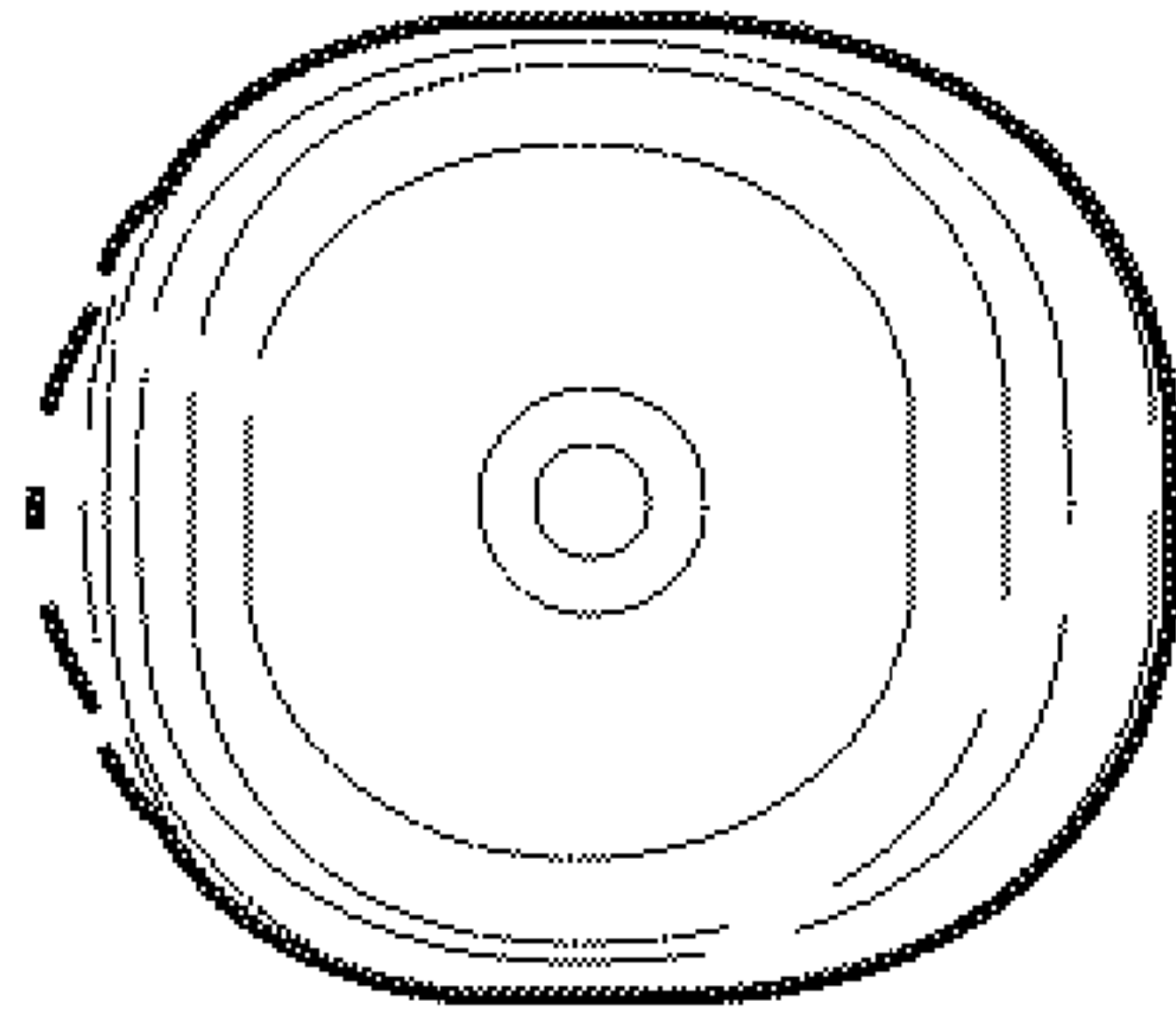
Fig. 3



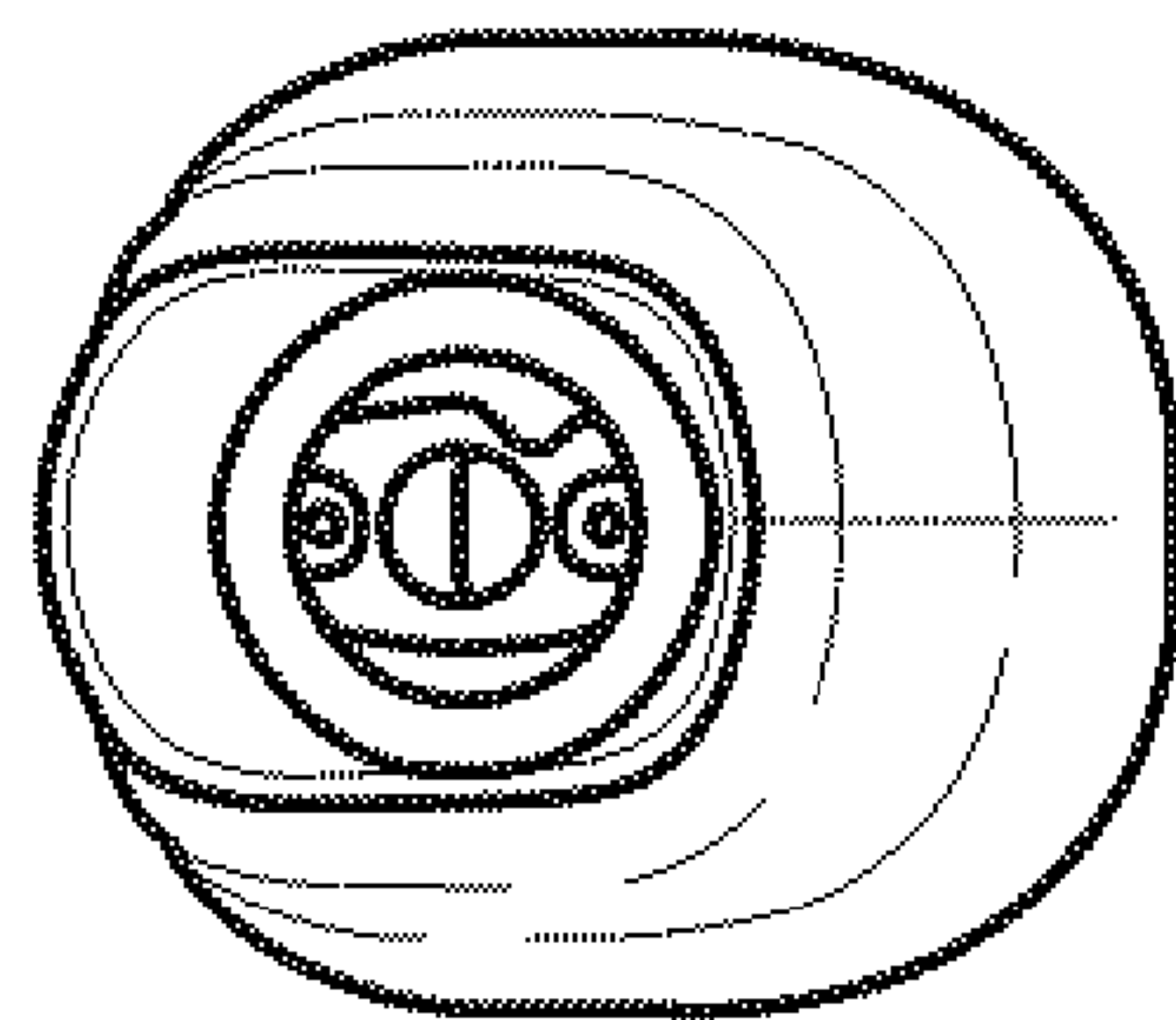
**Fig. 4**



**Fig. 5**



**Fig. 7**



**Fig. 6**

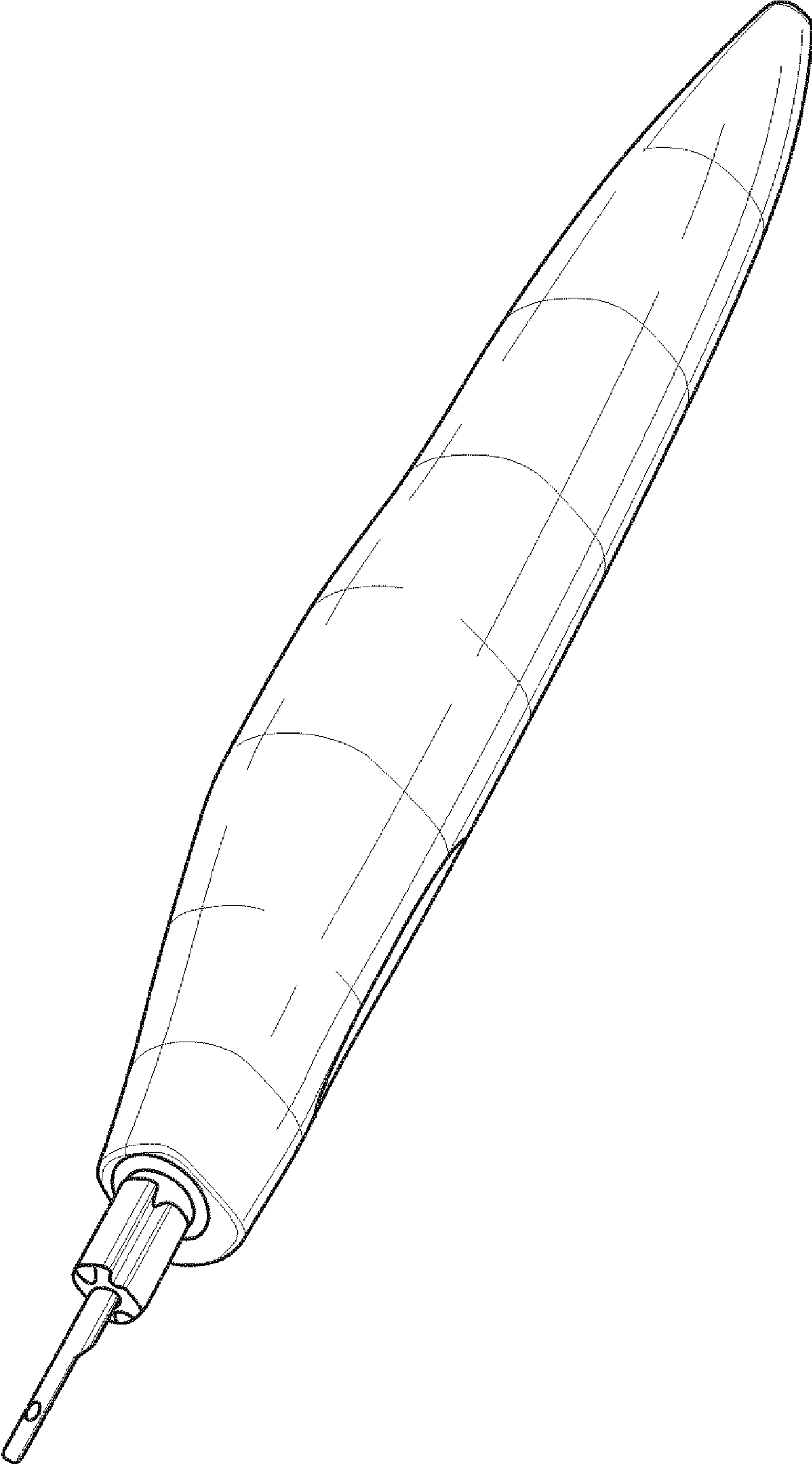


Fig. 8



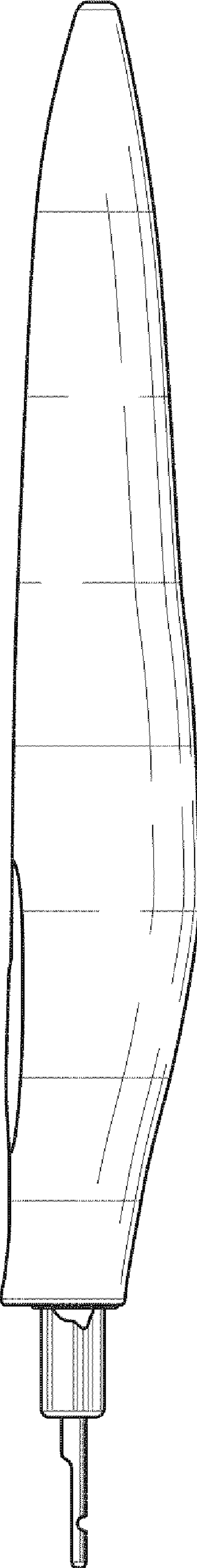


Fig. 9



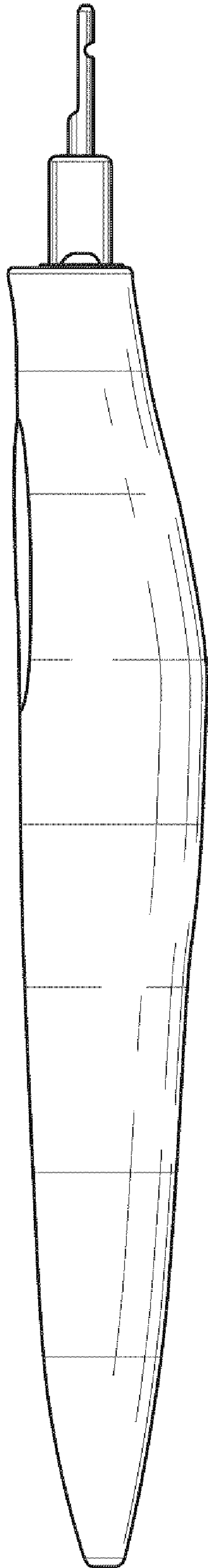
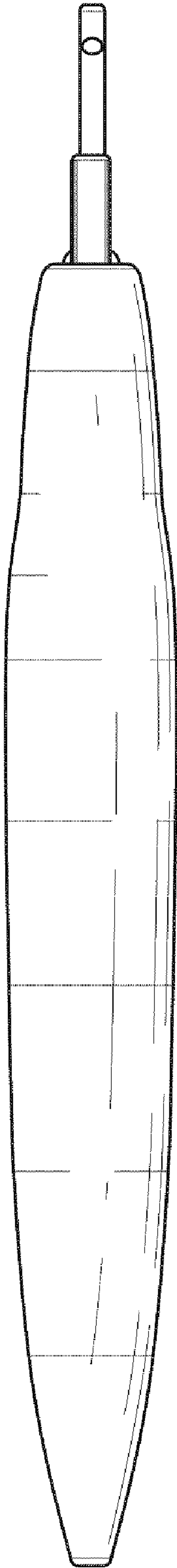
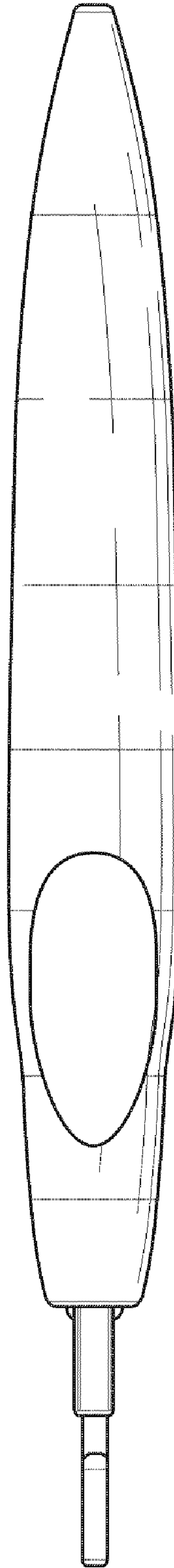


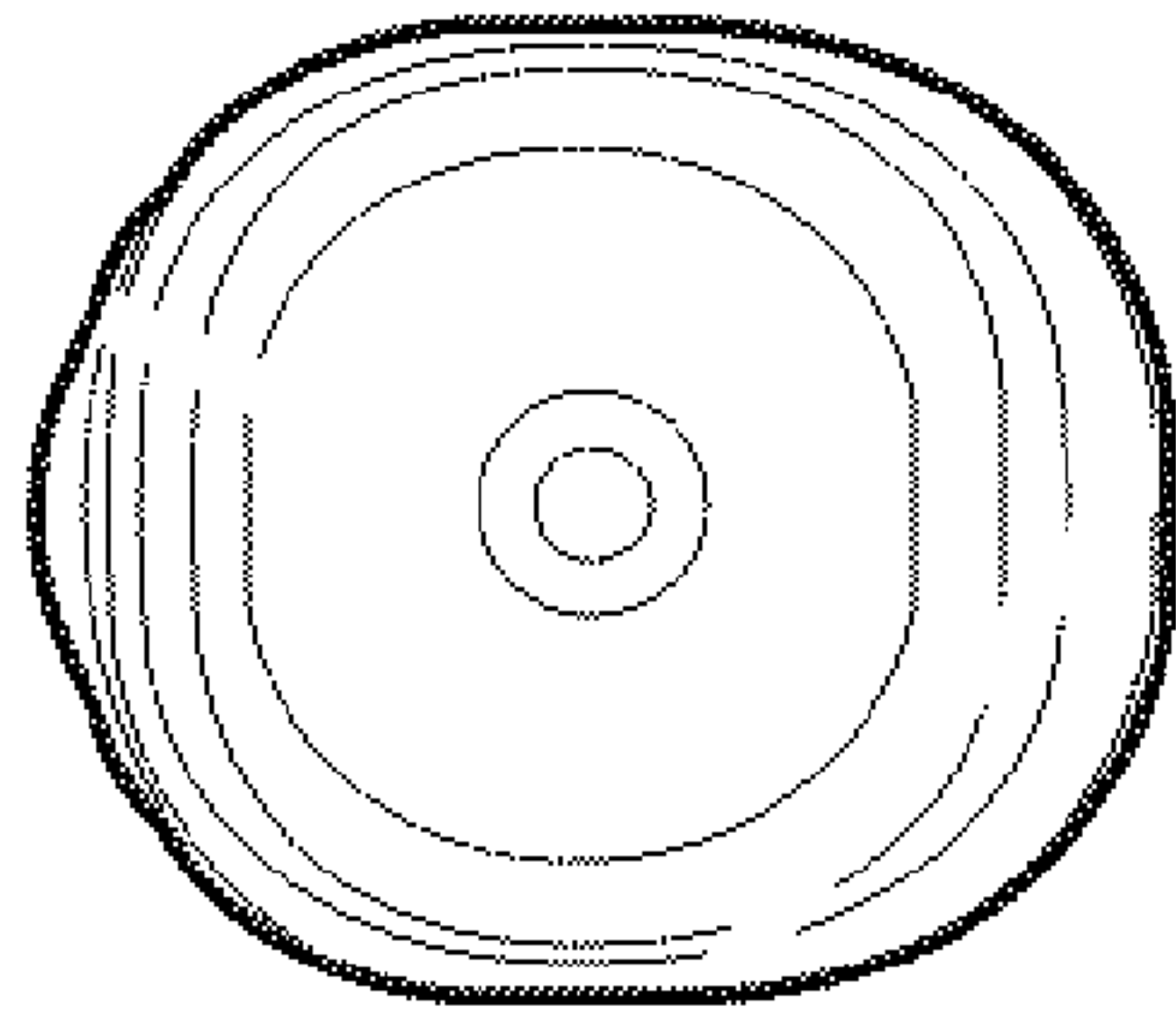
Fig. 10



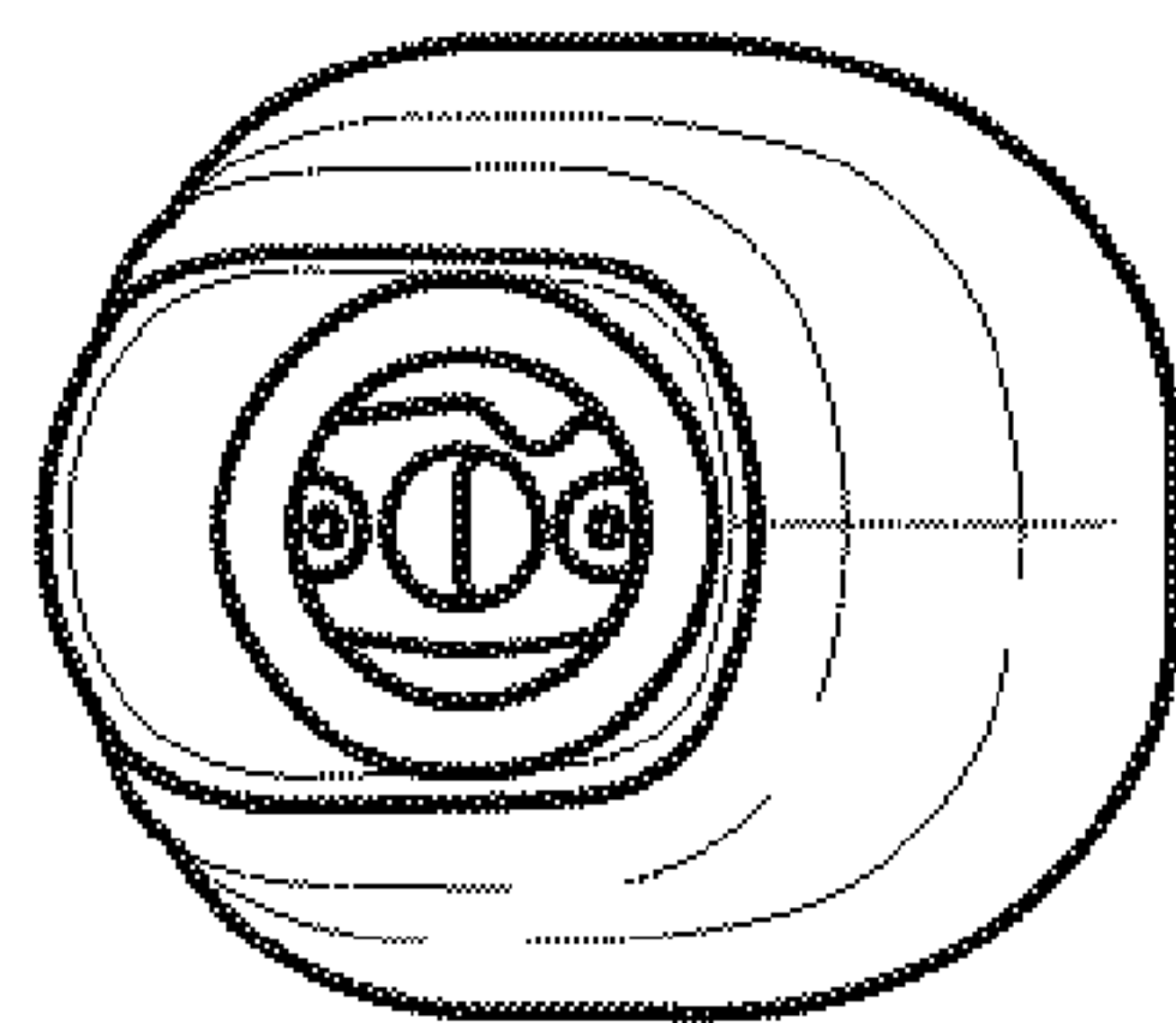
**Fig. 11**



**Fig. 12**



**Fig. 13**



**Fig. 14**