



US00D608542S

(12) **United States Design Patent**
Rosen

(10) **Patent No.:** **US D608,542 S**

(45) **Date of Patent:** **** Jan. 26, 2010**

(54) **PURSE HARNESS**

(76) Inventor: **Lynn Rosen**, 6771 S. Trailway Cir.,
Parker, CO (US) 80134

(**) Term: **14 Years**

(21) Appl. No.: **29/301,586**

(22) Filed: **Mar. 7, 2008**

(51) **LOC (9) Cl.** **03-01**

(52) **U.S. Cl.** **D3/226**

(58) **Field of Classification Search** D3/226,
D3/231-240, 261, 323-324, 327; 224/264,
224/642-643, 601, 251, 257-258, 578, 613,
224/617, 911-912, 607

See application file for complete search history.

(56) **References Cited**

U.S. PATENT DOCUMENTS

- 5,332,137 A * 7/1994 Violette 224/257
- D383,000 S * 9/1997 Fendi D3/324
- 6,863,202 B2 * 3/2005 Ammerman 224/607

D587,457 S * 3/2009 Barnwell et al. D3/327

* cited by examiner

Primary Examiner—Catherine R Oliver

(57) **CLAIM**

The ornamental design for a purse harness, as shown and described.

DESCRIPTION

FIG. 1 is a perspective view showing my new design on a wearer;

FIG. 2 is a perspective view of the design of FIG. 1;

FIG. 3 is a front view thereof;

FIG. 4 is a rear view thereof;

FIG. 5 is side view thereof;

FIG. 6 is a bottom view thereof; and,

FIG. 7 is a top view thereof.

The broken line showing of environment is included for the purpose of illustrating only and forms no part of the claimed design.

1 Claim, 6 Drawing Sheets

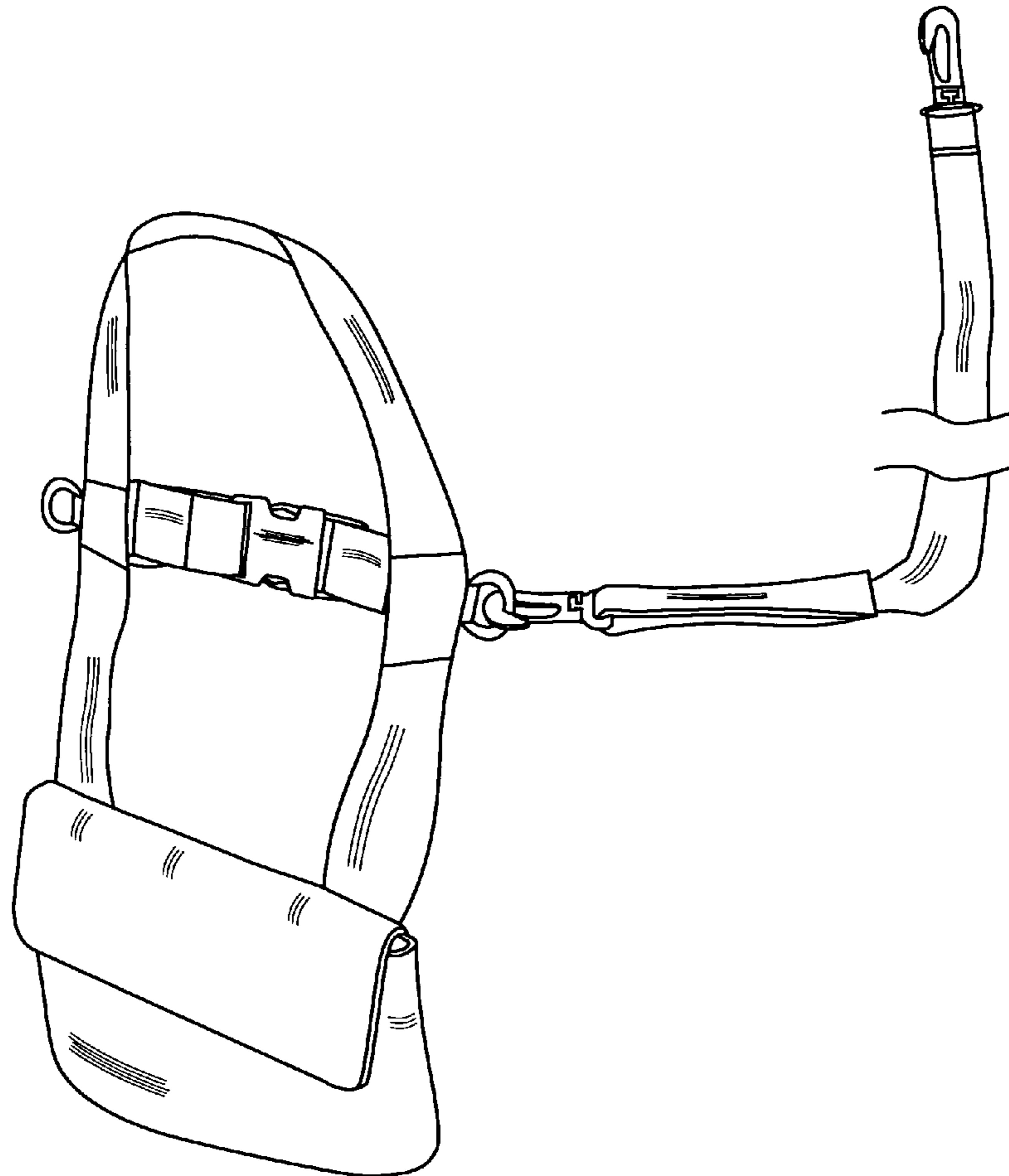




FIG. 1

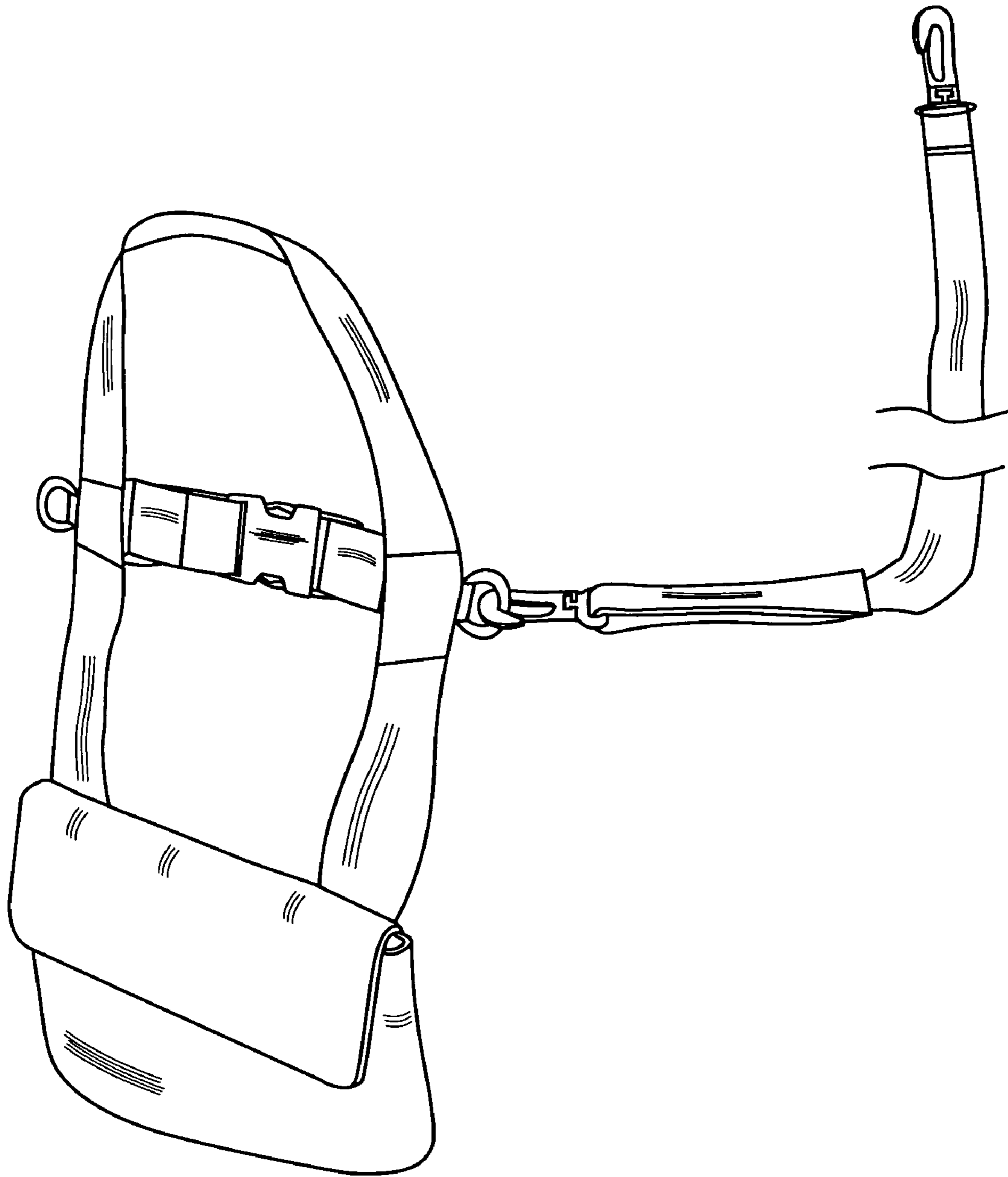


FIG. 2

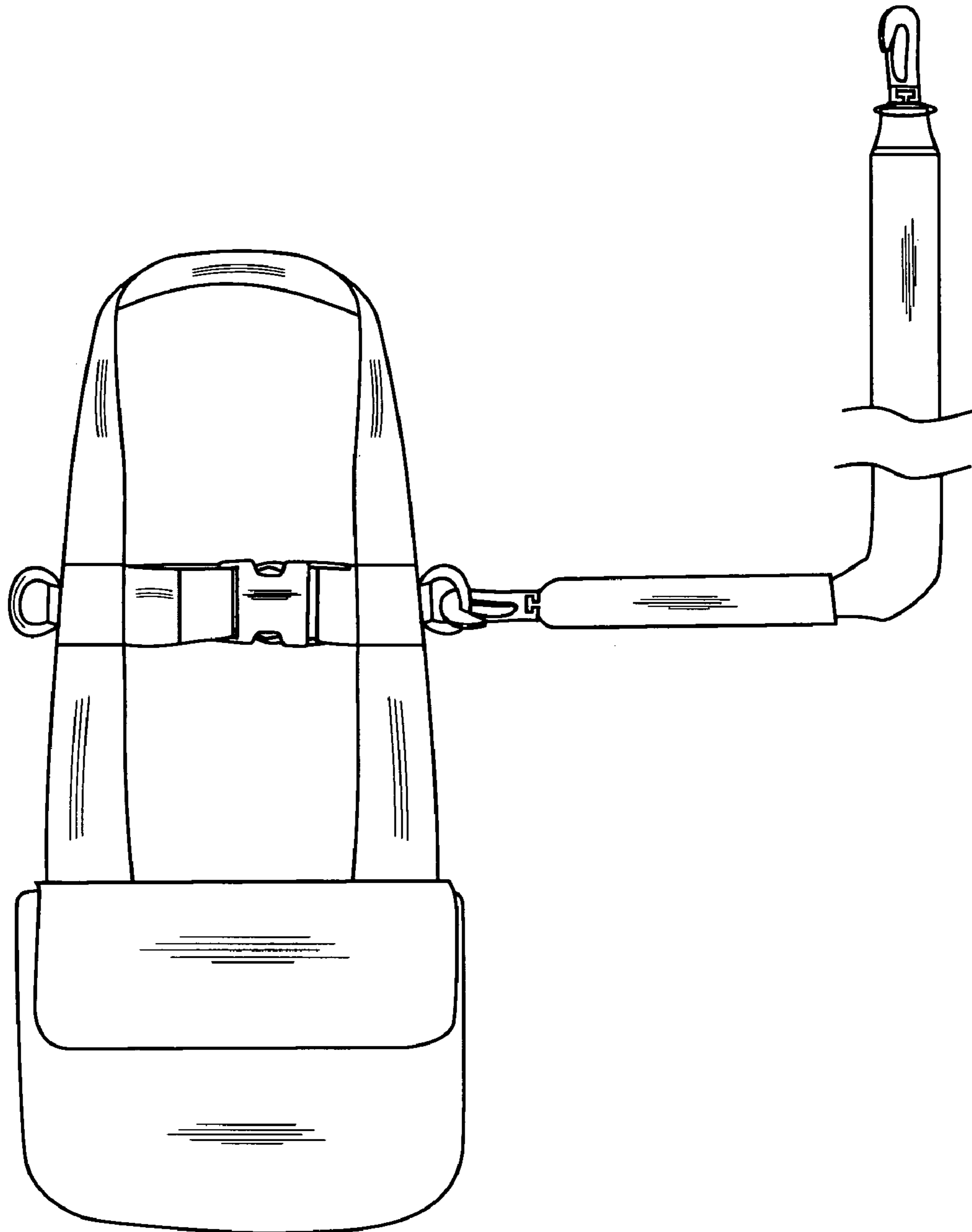


FIG. 3

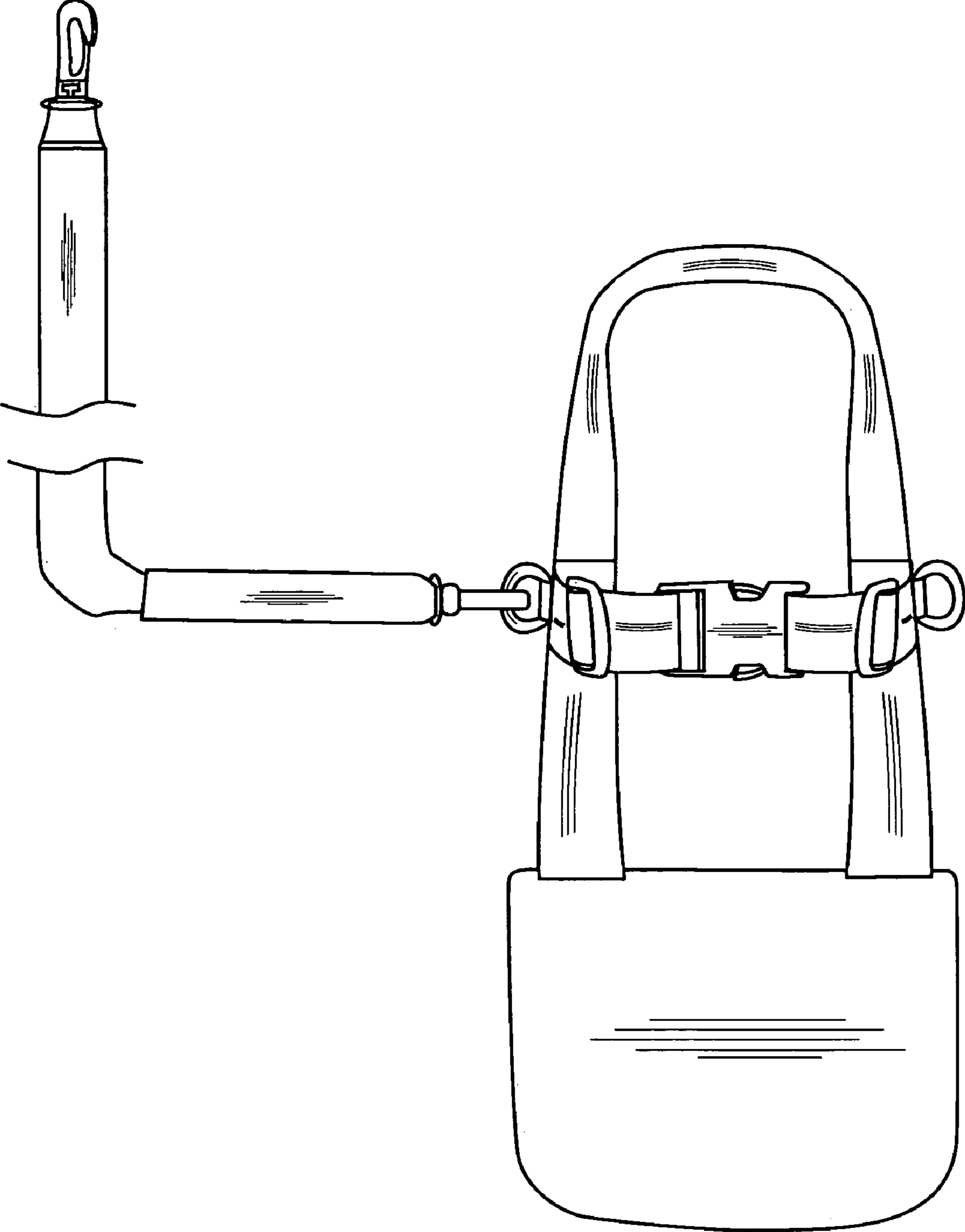


FIG. 4

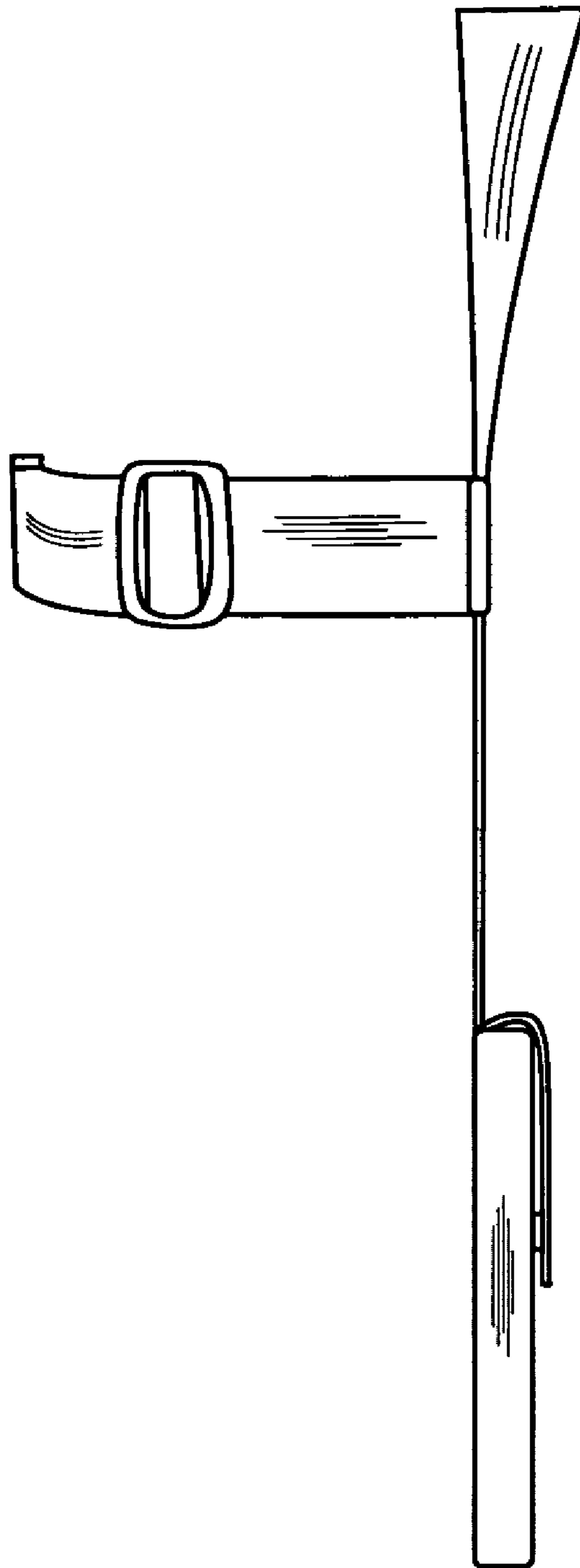


FIG. 5

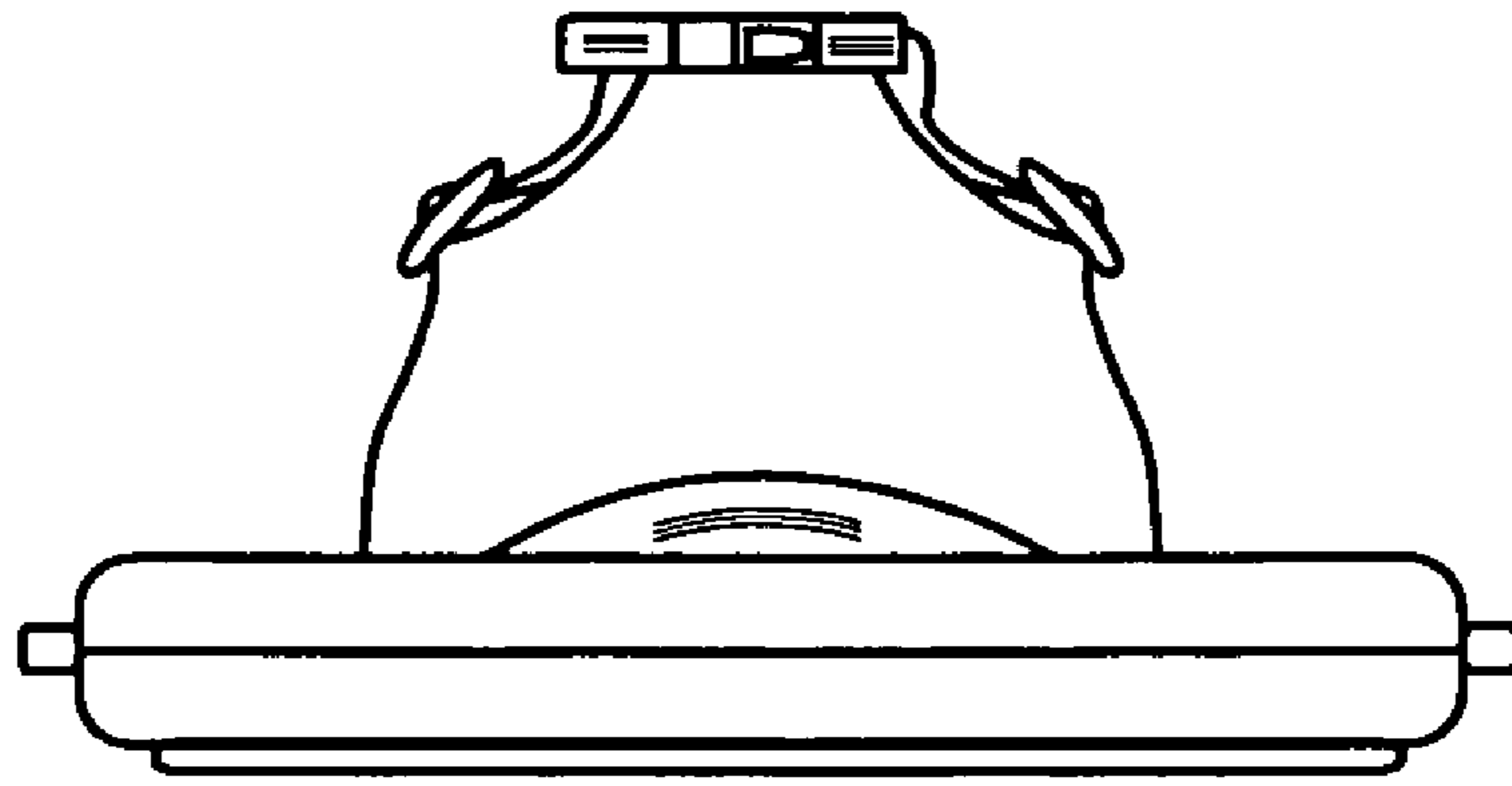


FIG. 6

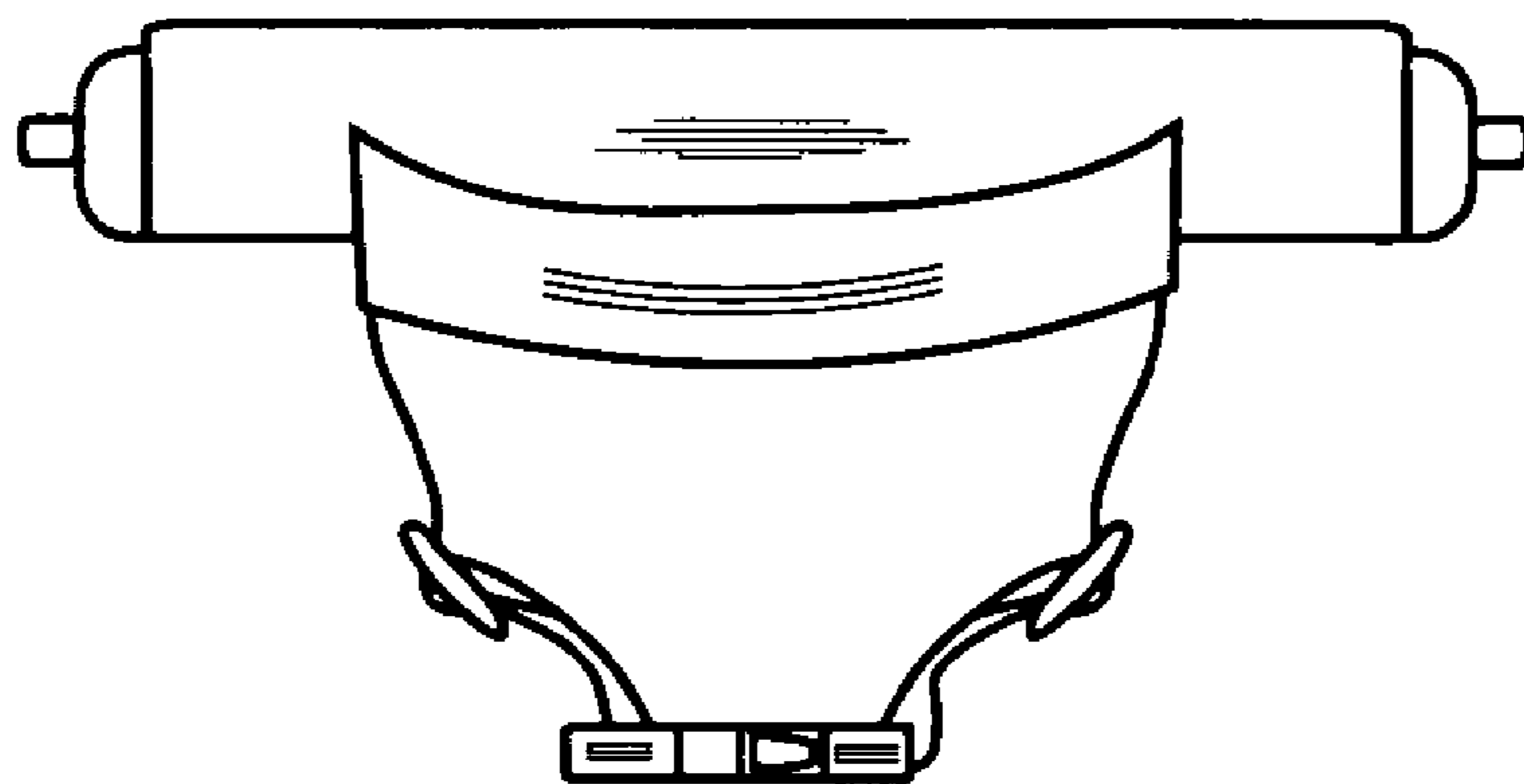


FIG. 7