



US00D608522S

(12) **United States Design Patent**  
**Berger et al.**

(10) **Patent No.:** **US D608,522 S**  
(45) **Date of Patent:** **\*\* Jan. 19, 2010**

(54) **SIDE ENTRY PALLET TRUCK**

(75) Inventors: **Ryan R. Berger**, Columbus, OH (US);  
**Markus Graf**, Karlsfeld (DE); **James V. Kraimer**, Munich (DE); **Thornton K. Lothrop**, Worthington, OH (US); **Rainer B. Teufel**, Worthington, OH (US)

(73) Assignee: **Crown Equipment Corporation**, New Bremen, OH (US)

(\*\*) Term: **14 Years**

(21) Appl. No.: **29/333,710**

(22) Filed: **Mar. 13, 2009**

(51) **LOC (9) Cl.** ..... **12-05**

(52) **U.S. Cl.** ..... **D34/34**

(58) **Field of Classification Search** ..... D34/34;  
280/402; 180/89.12, 89.14, 89.17, 89.18,  
180/89.19; 414/679, 81.4, 294, 680  
See application file for complete search history.

(56) **References Cited**

**U.S. PATENT DOCUMENTS**

D237,371	S	*	10/1975	Brown	.....	D34/37
5,297,645	A	*	3/1994	Eckersley et al.	.....	180/68.5
D370,761	S	*	6/1996	Stark	.....	D34/34
D373,887	S	*	9/1996	Soederberg	.....	D34/34
D373,888	S	*	9/1996	Soederberg	.....	D34/34
D407,176	S	*	3/1999	Henshaw et al.	.....	D34/34
D407,177	S	*	3/1999	Henshaw et al.	.....	D34/34
6,125,971	A	*	10/2000	Niebuhr et al.	.....	187/231
D537,226	S	*	2/2007	Niebuhr	.....	D34/34
D559,498	S	*	1/2008	Ruppert et al.	.....	D34/34
D562,525	S	*	2/2008	Graf et al.	.....	D34/34
D583,124	S	*	12/2008	Stark	.....	D34/34
D585,623	S	*	1/2009	Quinlan et al.	.....	D34/34
2008/0179141	A1	*	7/2008	Niebuhr	.....	187/222

**OTHER PUBLICATIONS**

Atlet product brochure-available prior to Mar. 13, 2009; 2 pages.  
BT product brochure 1-available prior to Mar. 13, 2009; 4 pages.

(Continued)

*Primary Examiner*—Cynthia E Ramirez

(74) *Attorney, Agent, or Firm*—Stevens & Showalter LLP

(57) **CLAIM**

The ornamental design for a side entry pallet truck, as shown and described.

**DESCRIPTION**

FIG. 1 is a perspective view of a side entry pallet truck as seen from the top, front and left;

FIG. 2 is a perspective view as seen from the top, rear and right thereof;

FIG. 3 is a front elevational view thereof;

FIG. 4 is a left side elevational view thereof, the right side elevational view being a mirror image;

FIG. 5 is a rear elevational view thereof;

FIG. 6 is a top plan view thereof;

FIG. 7 is a bottom plan view thereof;

FIG. 8 is a view of FIG. 1 with design obscuring broken lines removed;

FIG. 9 is a view of FIG. 2 with design obscuring broken lines removed;

FIG. 10 is a view of FIG. 3 with design obscuring broken lines removed;

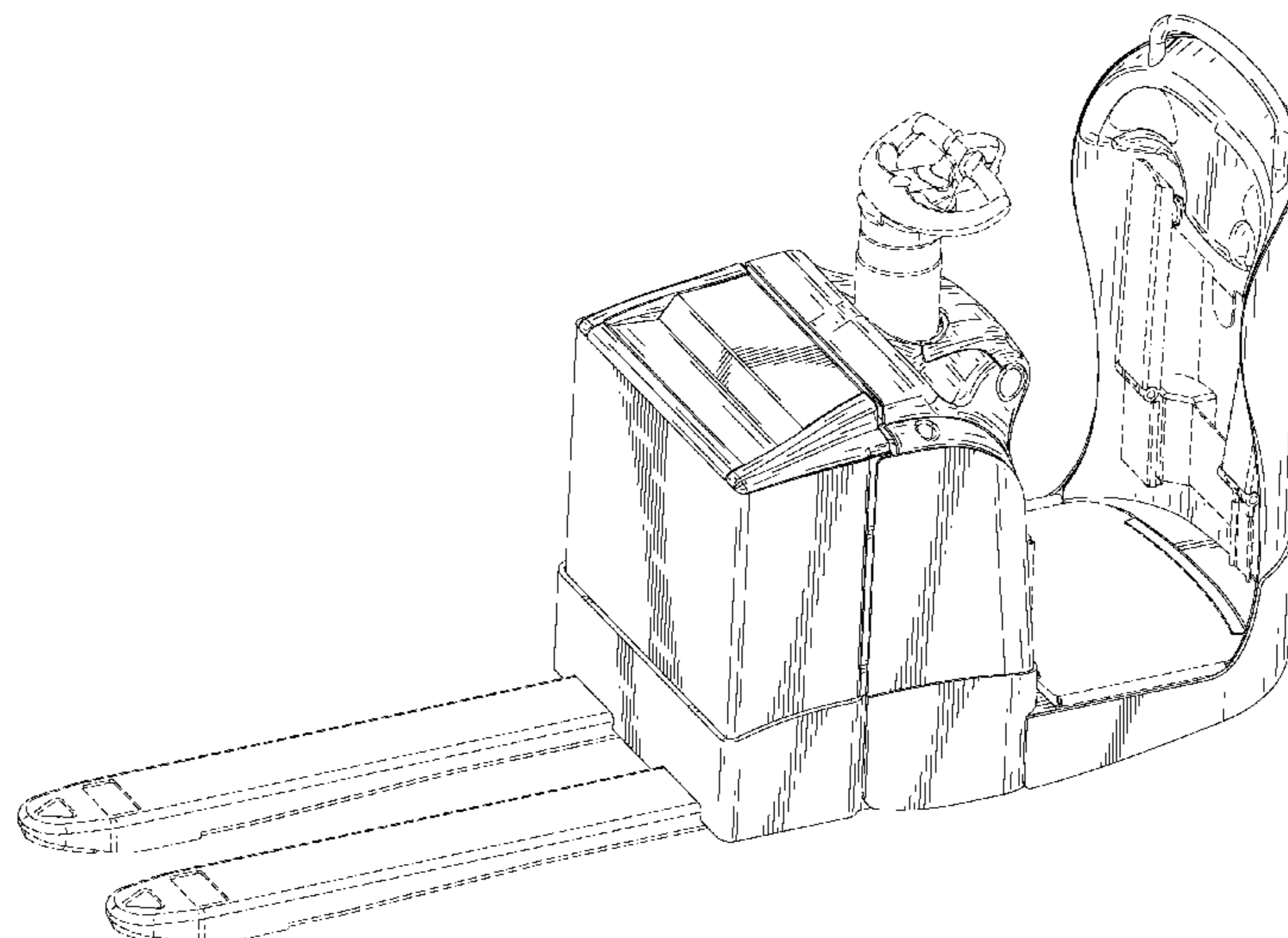
FIG. 11 is a view of FIG. 5 with design obscuring broken lines removed;

FIG. 12 is a view of FIG. 6 with design obscuring broken lines removed; and,

FIG. 13 is a view of FIG. 7 with design obscuring broken lines removed.

The broken line showings in the figures are for illustrative purposes only and form no part of the claimed design.

**1 Claim, 11 Drawing Sheets**



OTHER PUBLICATIONS

BT product brochure 2-available prior to Mar. 13, 2009; 4 pages.  
BT product brochure 3-available prior to Mar. 13, 2009; 4 pages.  
Photograph 1 of BT truck-available prior to Mar. 13, 2009.  
Photograph 2 of BT truck-available prior to Mar. 13, 2009.  
Photograph 3 of BT truck-available prior to Mar. 13, 2009.  
Photograph 4 of BT truck-available prior to Mar. 13, 2009.  
Photograph 5 of BT truck-available prior to Mar. 13, 2009.  
Photograph 6 of BT truck-available prior to Mar. 13, 2009.  
Photograph 7 of BT truck-available prior to Mar. 13, 2009.  
Photograph 8 of BT truck-available prior to Mar. 13, 2009.  
Hyster product brochure-available prior to Mar. 13, 2009; 4 pages.  
Photograph 1 of Yale truck-available prior to Mar. 13, 2009.  
Photograph 2 of Yale truck-available prior to Mar. 13, 2009.  
Photograph 3 of Yale truck-available prior to Mar. 13, 2009.  
Photograph 4 of Yale truck-available prior to Mar. 13, 2009.  
Photograph 5 of Yale truck-available prior to Mar. 13, 2009.  
Jungheinrich product brochure 1-available prior to Mar. 13, 2009; 4 pages.  
Jungheinrich product brochure 2-available prior to Mar. 13, 2009; 4 pages.  
Jungheinrich product brochure 3-available prior to Mar. 13, 2009; 4 pages.  
Jungheinrich product brochure 4-available prior to Mar. 13, 2009; 1 page.  
Photograph 1 of Jungheinrich truck-available prior to Mar. 13, 2009.  
Photograph 2 of Jungheinrich truck-available prior to Mar. 13, 2009.  
Photograph 3 of Jungheinrich truck-available prior to Mar. 13, 2009.  
Photograph 4 of Jungheinrich truck-available prior to Mar. 13, 2009.  
Linde product brochure 1-available prior to Mar. 13, 2009; 2 pages.  
Linde product brochure 2-available prior to Mar. 13, 2009; 6 pages.  
Photograph 1 of Linde truck-available prior to Mar. 13, 2009.  
Photograph 2 of Linde truck-available prior to Mar. 13, 2009.  
Photograph 1 of Loc-Manitou truck-available prior to Mar. 13, 2009.  
Photograph 2 of Loc-Manitou truck-available prior to Mar. 13, 2009.  
Photograph 3 of Loc-Manitou truck-available prior to Mar. 13, 2009.  
Photograph 4 of Loc-Manitou truck-available prior to Mar. 13, 2009.  
Photograph 5 of Loc-Manitou truck-available prior to Mar. 13, 2009.  
Photograph 6 of Loc-Manitou truck-available prior to Mar. 13, 2009.  
Photograph 7 of Loc-Manitou truck-available prior to Mar. 13, 2009.  
Photograph 8 of Loc-Manitou truck-available prior to Mar. 13, 2009.  
Photograph 1 of various brand truck-available prior to Mar. 13, 2009.  
Photograph 2 of various brand truck-available prior to Mar. 13, 2009.

Photograph 3 of various brand truck-available prior to Mar. 13, 2009.  
Photograph 4 of various brand truck-available prior to Mar. 13, 2009.  
Photograph 5 of various brand truck-available prior to Mar. 13, 2009.  
Photograph 6 of various brand truck-available prior to Mar. 13, 2009.  
Photograph 7 of various brand truck-available prior to Mar. 13, 2009.  
Photograph 8 of various brand truck-available prior to Mar. 13, 2009.  
Photograph 9 of various brand truck-available prior to Mar. 13, 2009.  
Photograph 10 of various brand truck-available prior to Mar. 13, 2009.  
Photograph 11 of various brand truck-available prior to Mar. 13, 2009.  
Photograph 12 of various brand truck-available prior to Mar. 13, 2009.  
Photograph 13 of various brand truck-available prior to Mar. 13, 2009.  
Photograph 14 of various brand truck-available prior to Mar. 13, 2009.  
Photograph 15 of various brand truck-available prior to Mar. 13, 2009.  
Photograph 16 of various brand truck-available prior to Mar. 13, 2009.  
Photograph 17 of various brand truck-available prior to Mar. 13, 2009.  
Photograph 18 of various brand truck-available prior to Mar. 13, 2009.  
Photograph 19 of various brand truck-available prior to Mar. 13, 2009.  
Photograph 20 of various brand truck-available prior to Mar. 13, 2009.  
Photograph 21 of various brand truck-available prior to Mar. 13, 2009.  
OM Carrelli Elevatori product brochure-available prior to Mar. 13, 2009; 4 pages.  
Rocla product brochure-available prior to Mar. 13, 2009; 9 pages.  
Still product brochure 1-available prior to Mar. 13, 2009; 8 pages.  
Still product brochure 2-available prior to Mar. 13, 2009; 8 pages.  
Photograph 1 of Still truck-available prior to Mar. 13, 2009.  
Photograph 2 of Still truck-available prior to Mar. 13, 2009.  
Photograph 3 of Still truck-available prior to Mar. 13, 2009.  
Crown product brochure-WP 2300 Series-available prior to Mar. 13, 2009; 8 pages.

\* cited by examiner

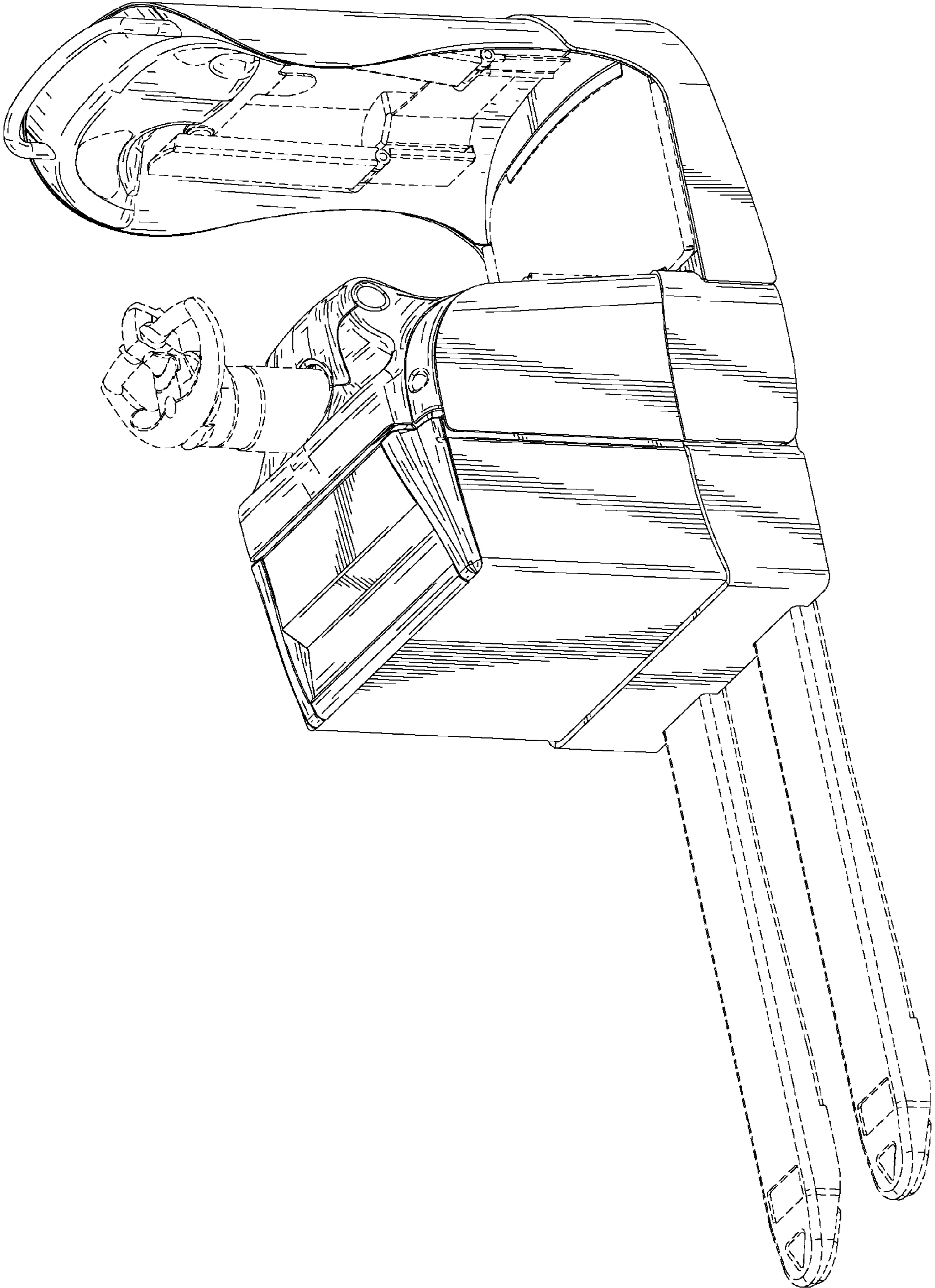


FIG. 1

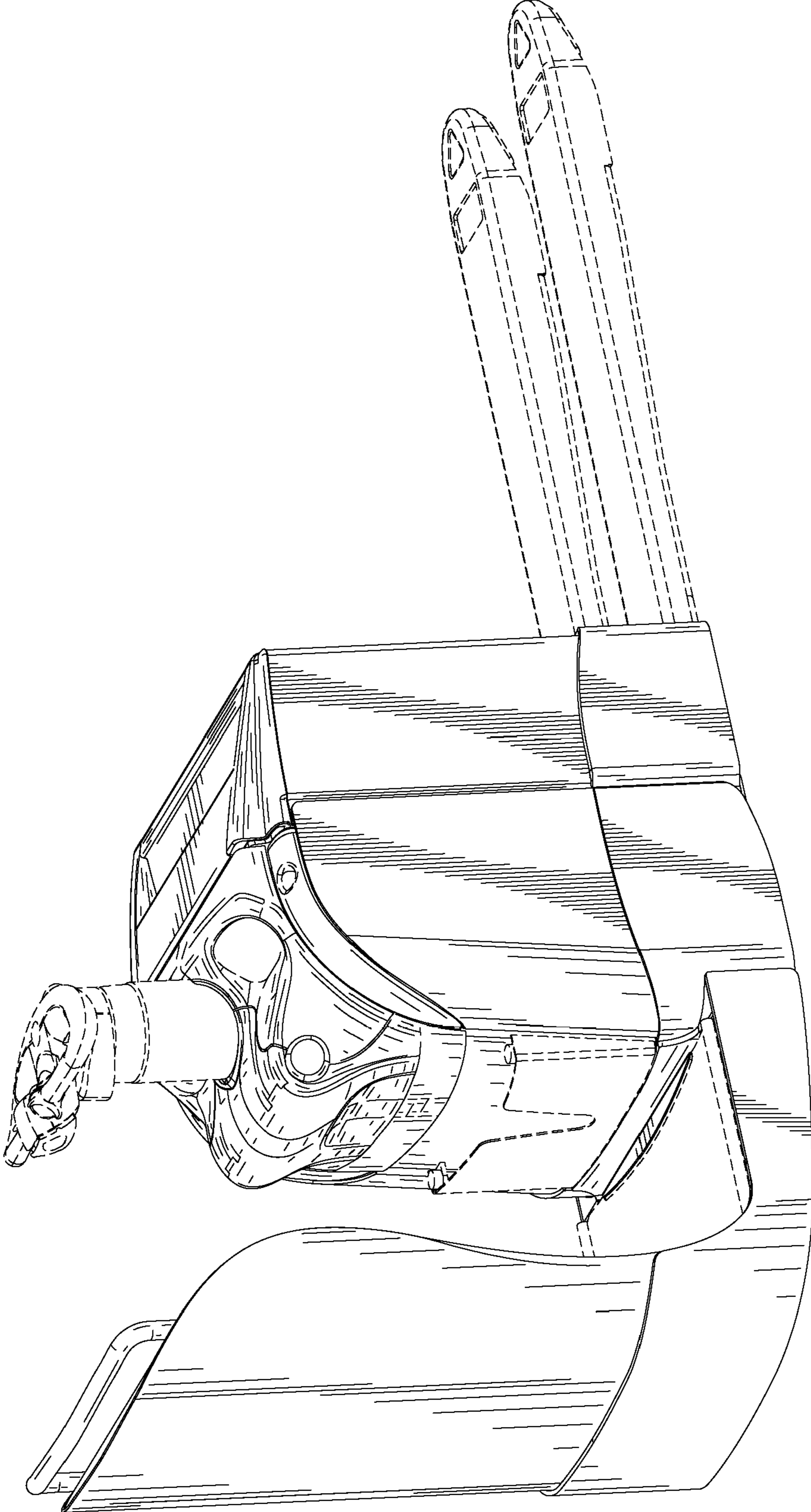


FIG. 2

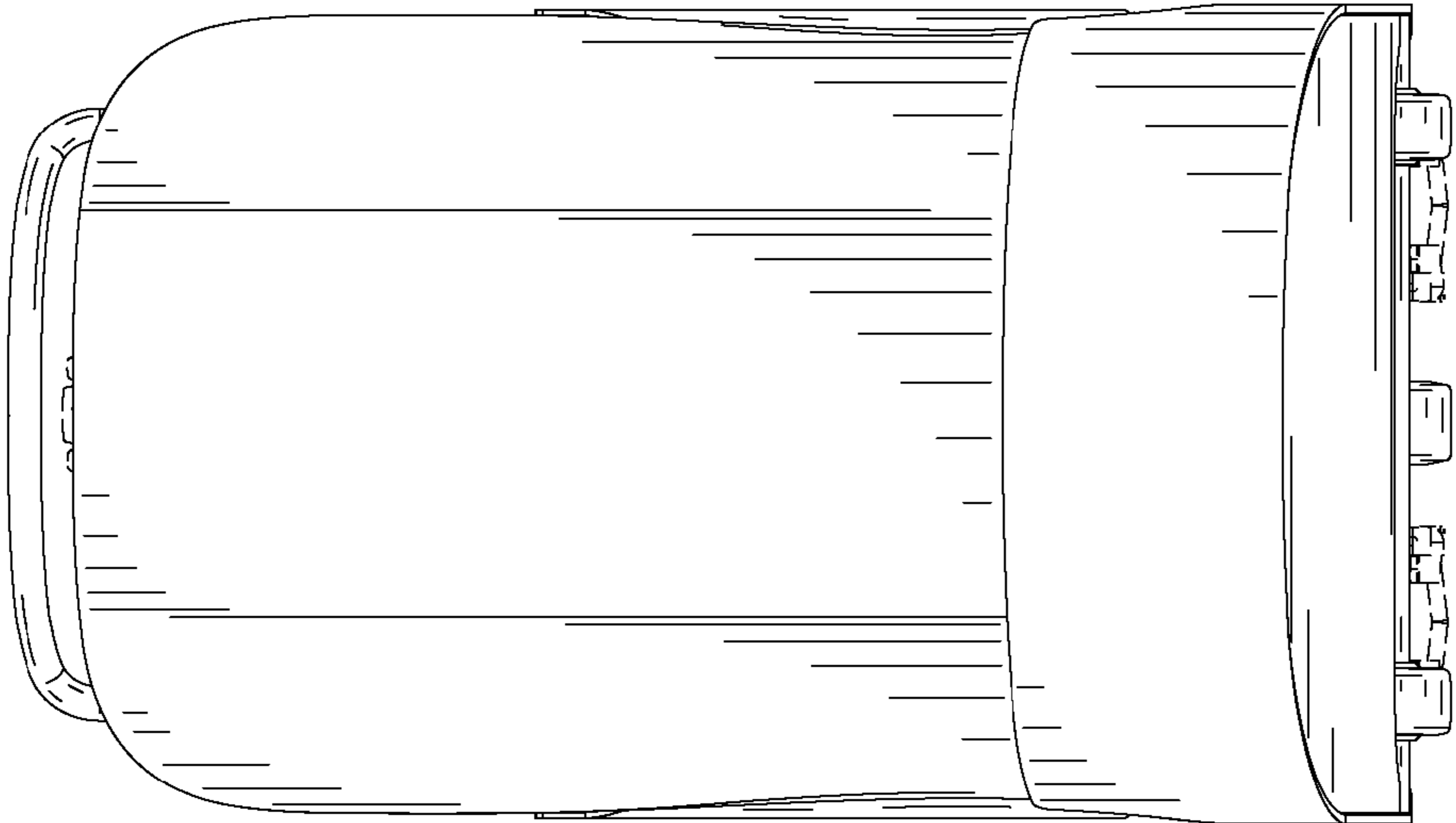


FIG. 5

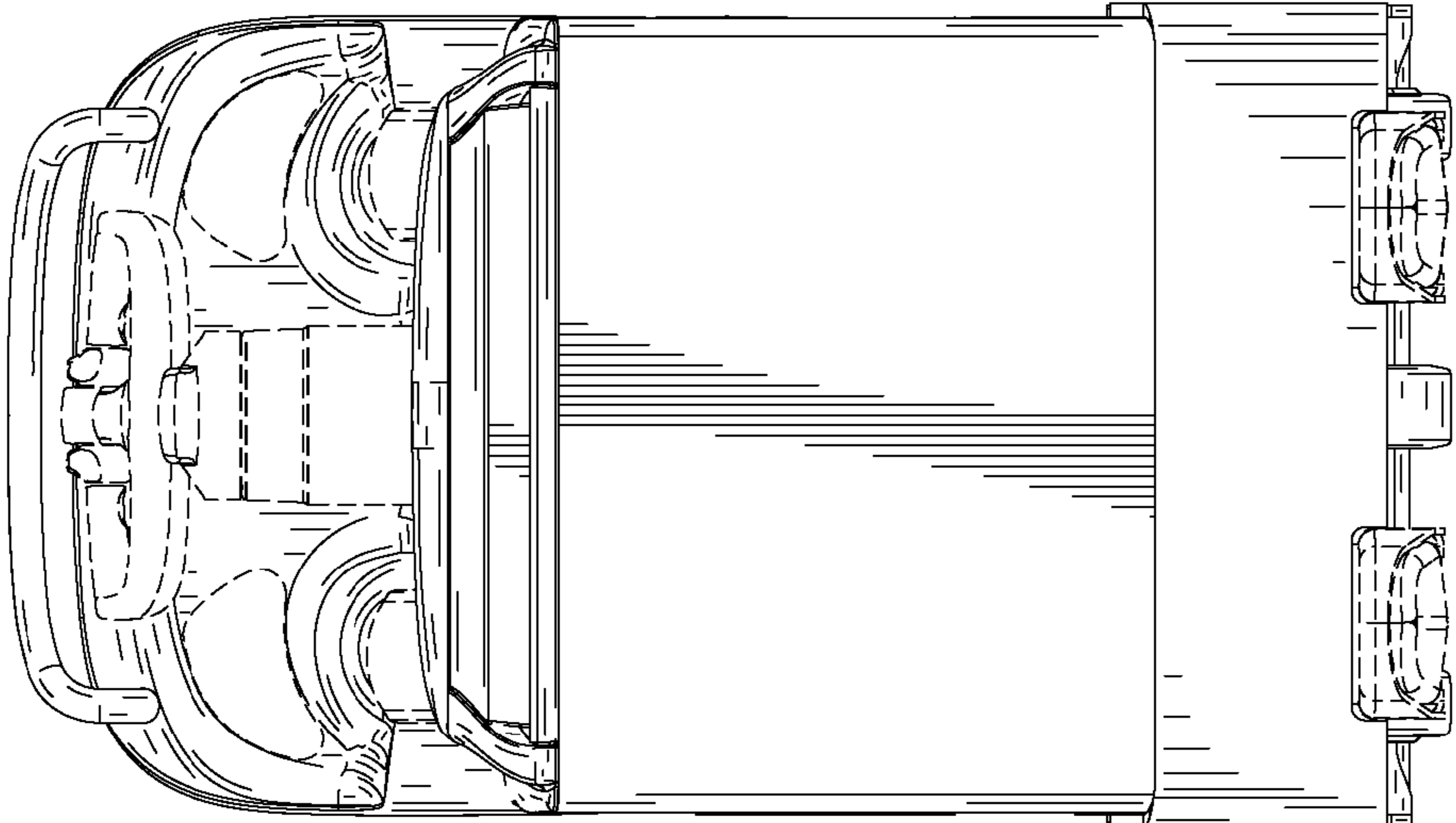


FIG. 3

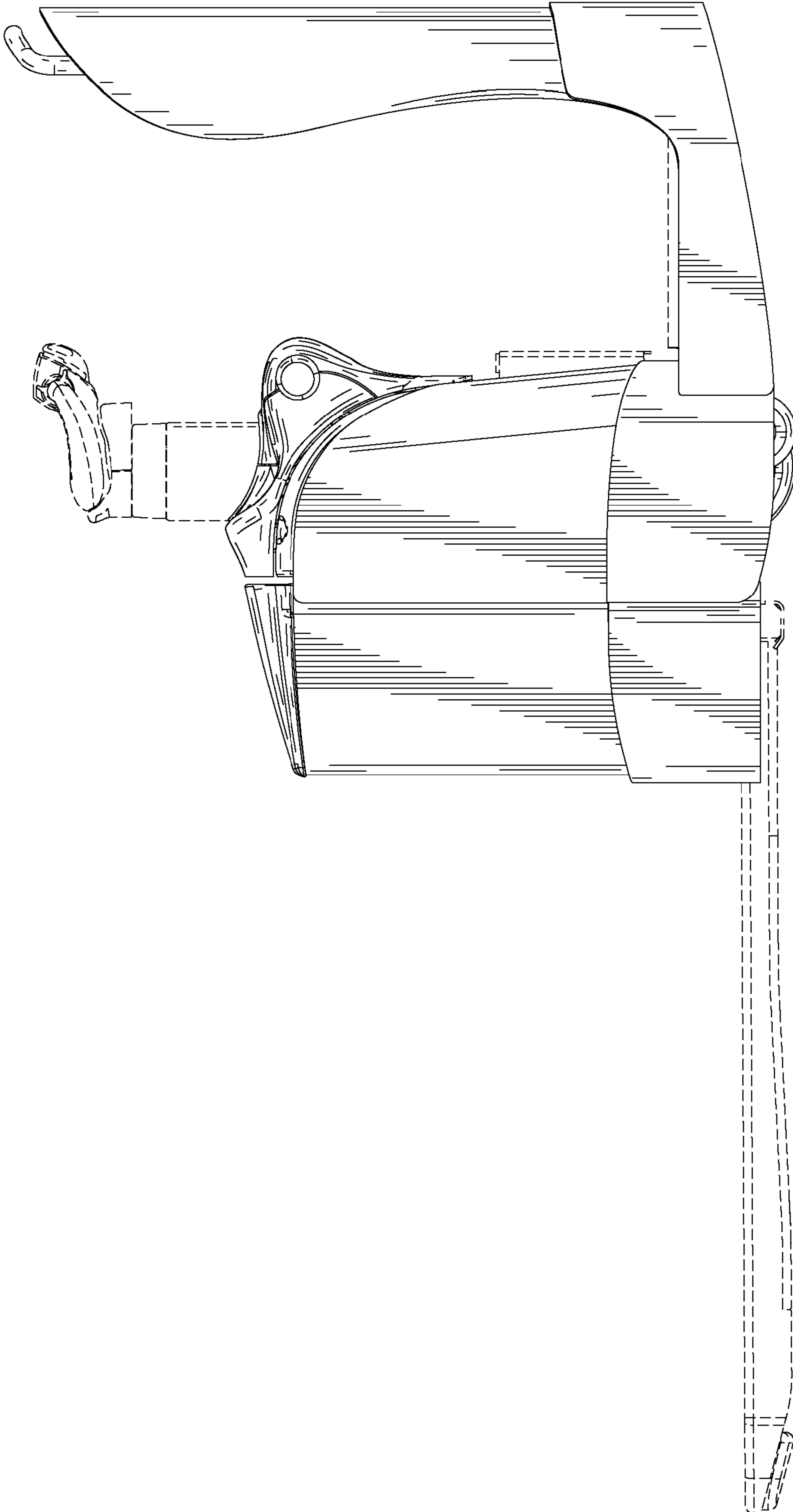


FIG. 4

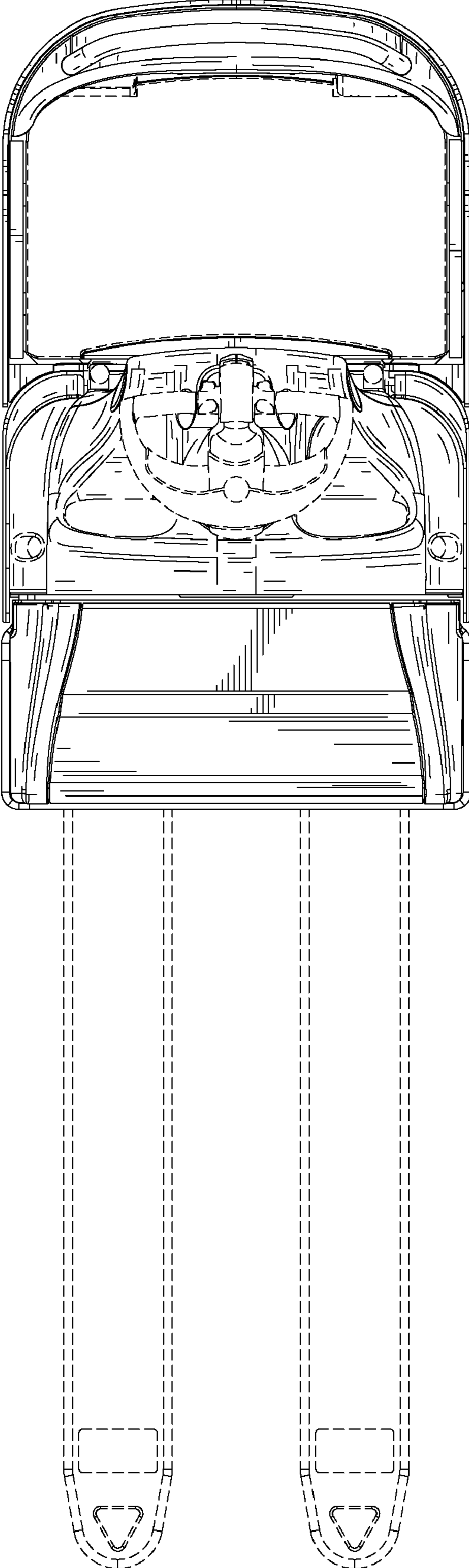


FIG. 6

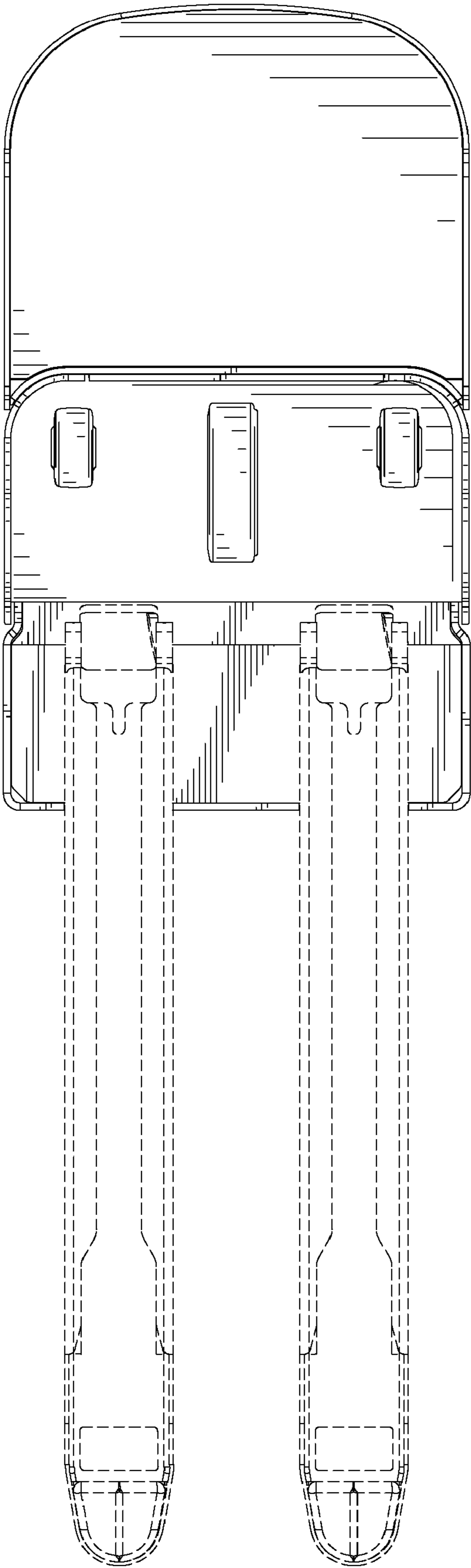


FIG. 7



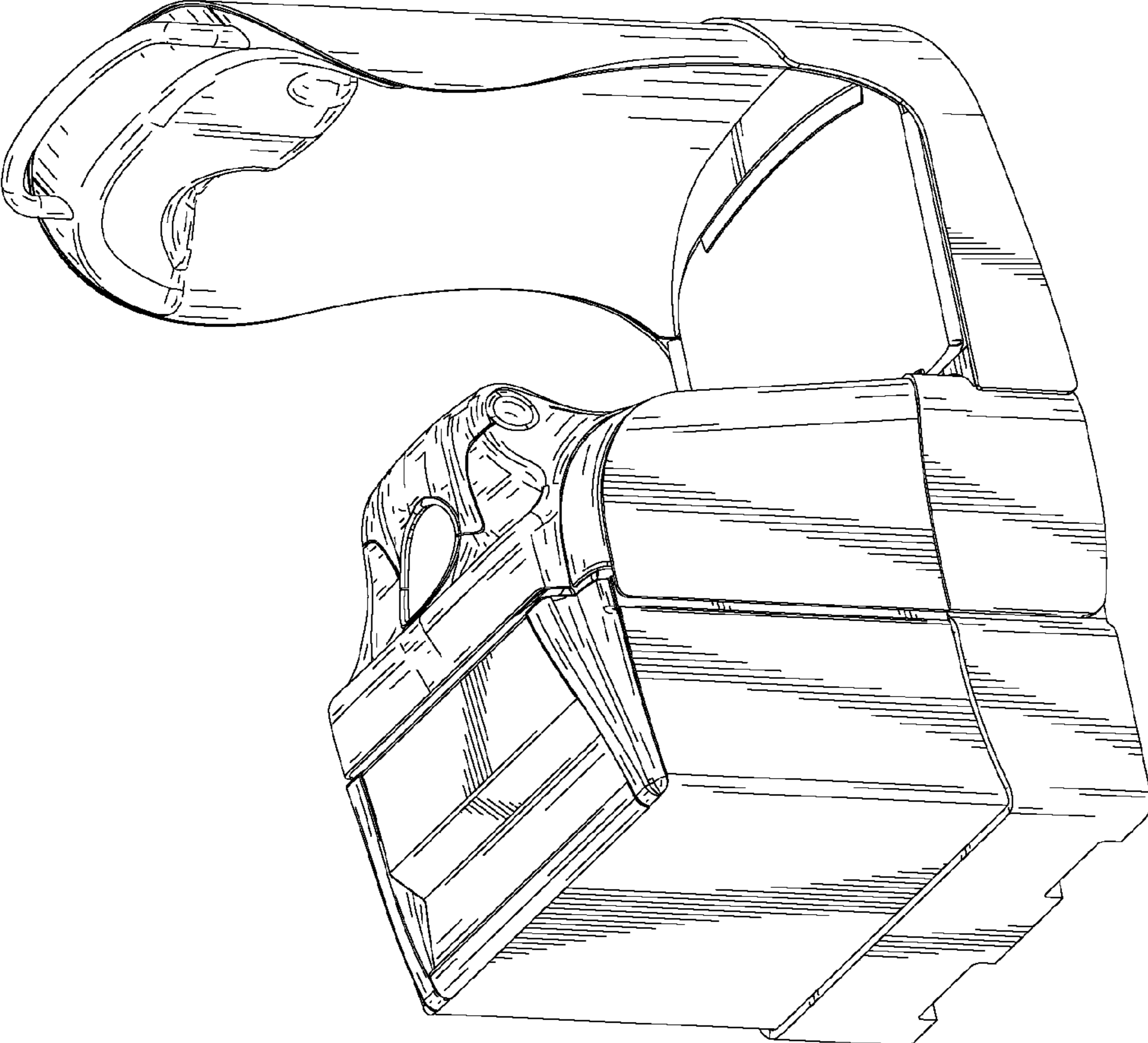


FIG. 8

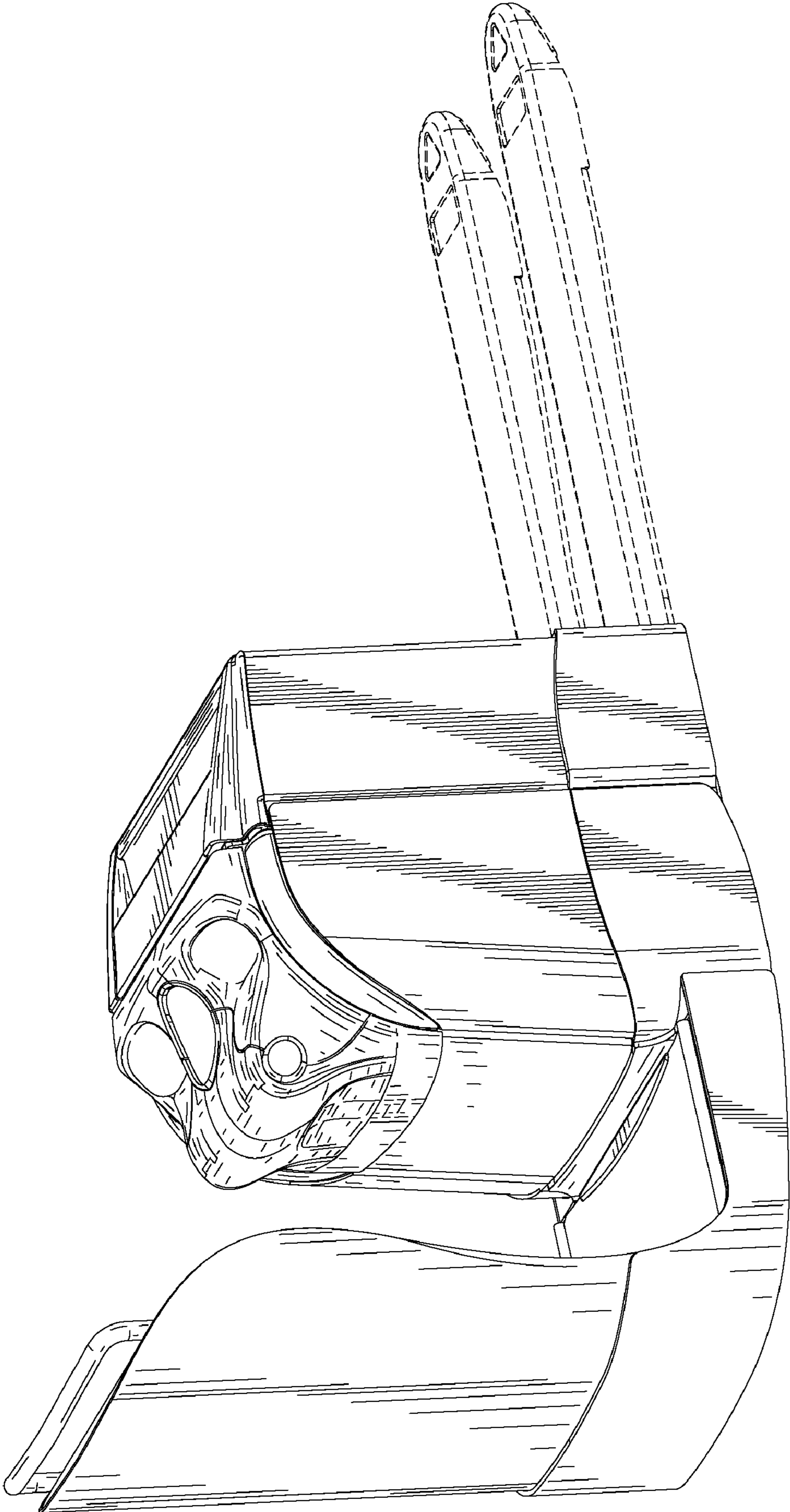


FIG. 9

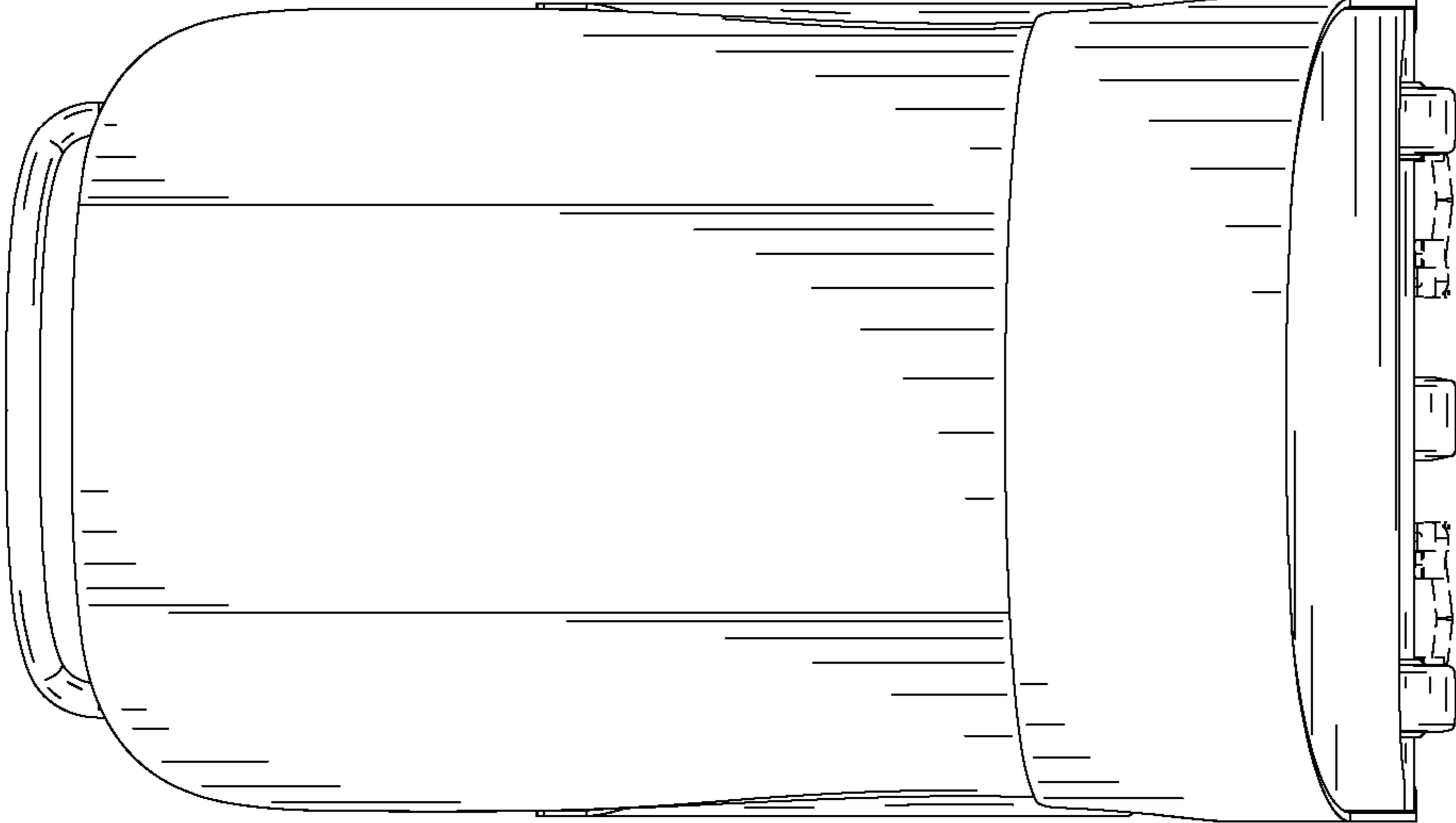


FIG. 11

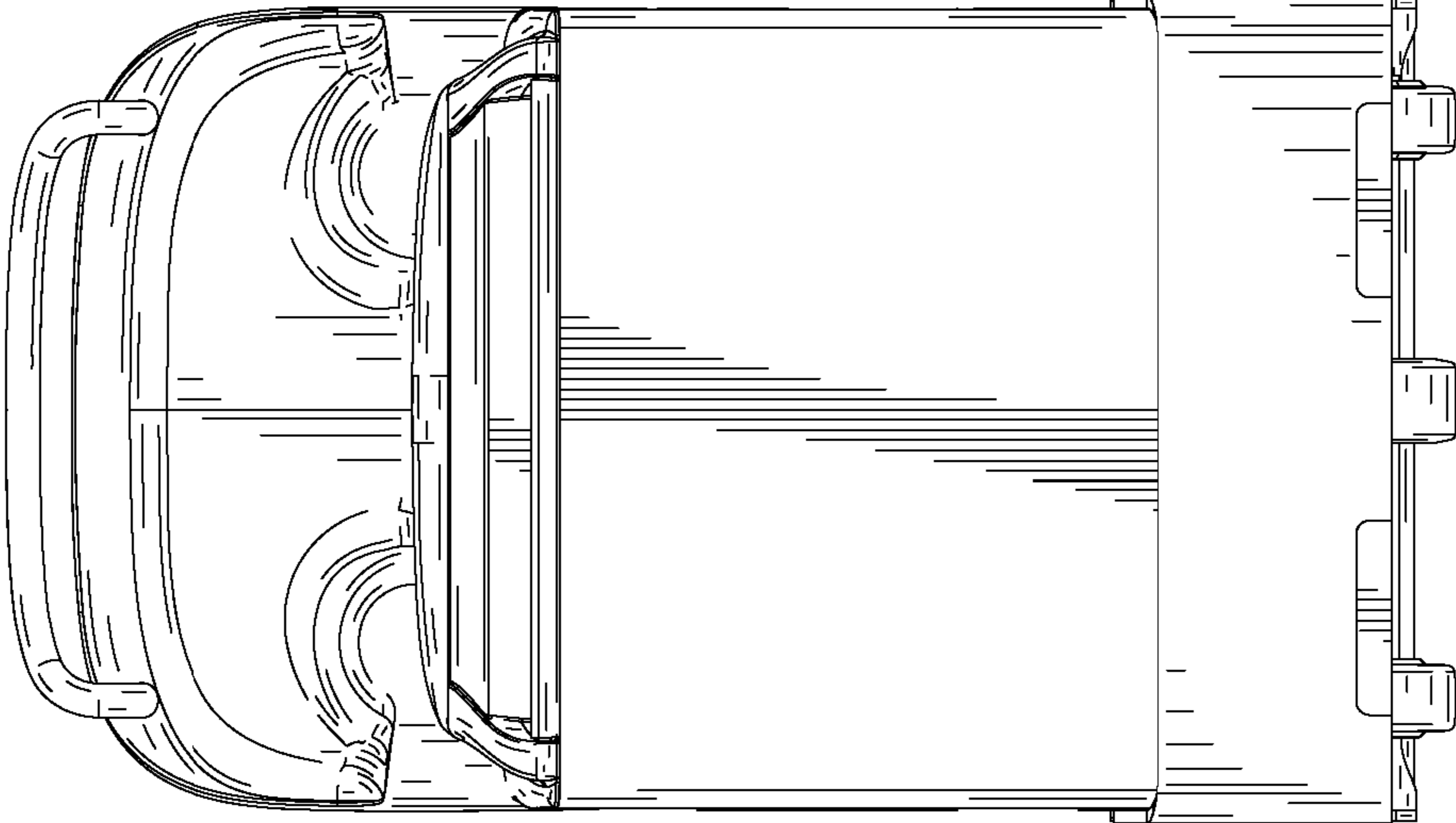


FIG. 10

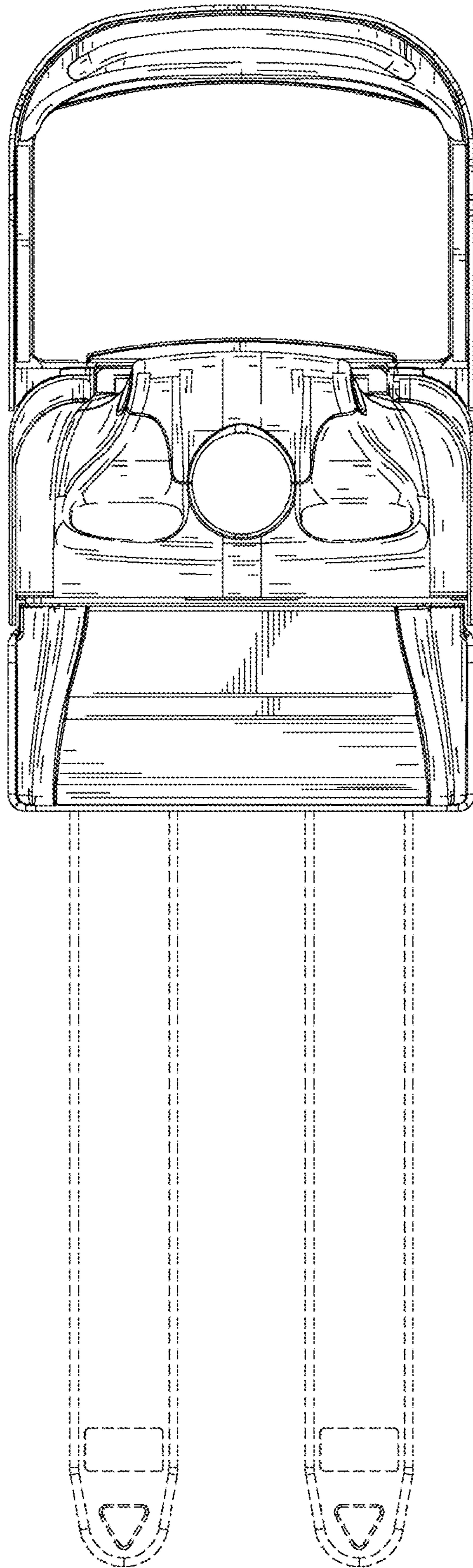


FIG. 12

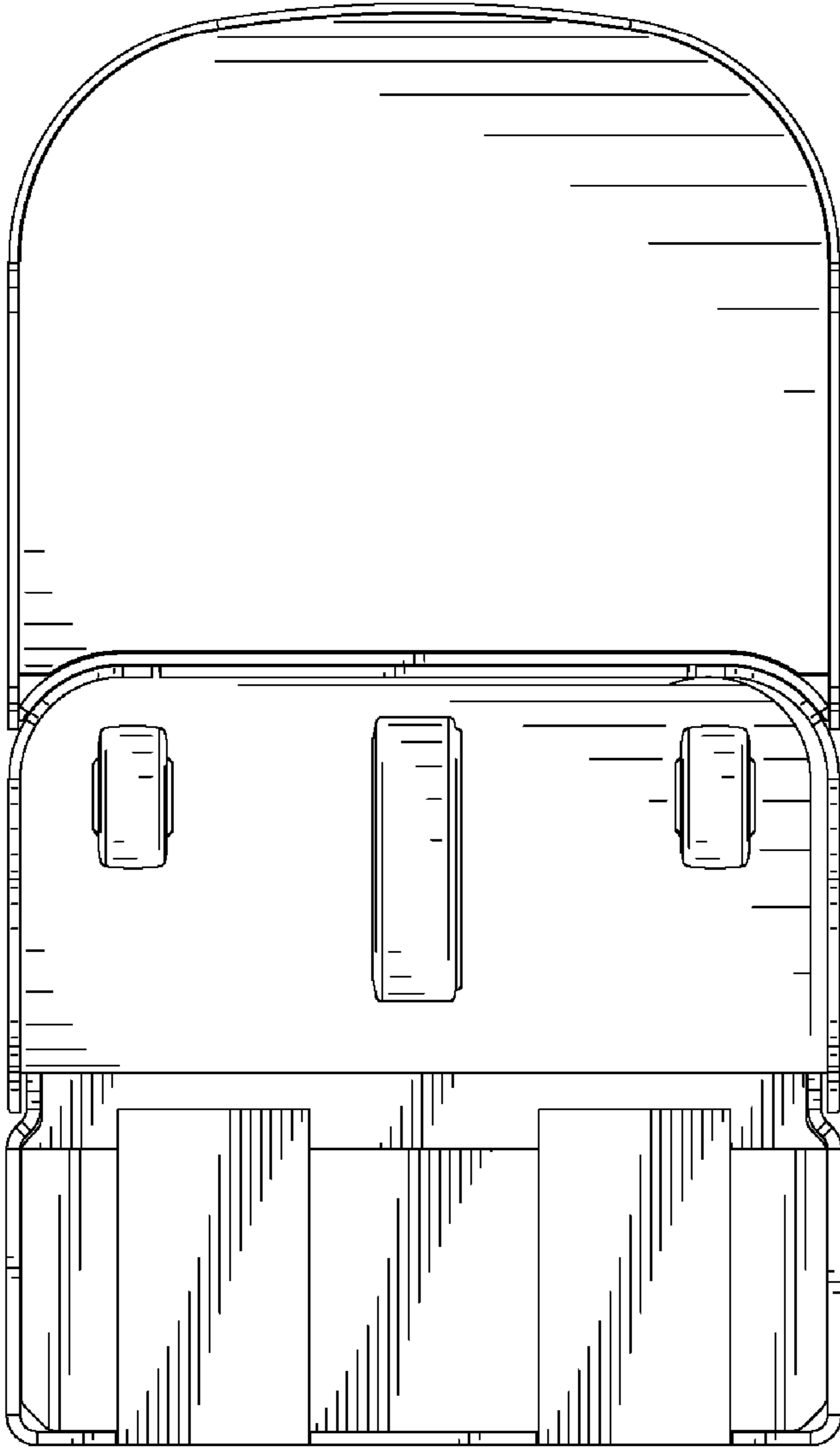


FIG. 13