



US00D608516S

(12) **United States Design Patent**
Cantrell et al.

(10) **Patent No.:** **US D608,516 S**
(45) **Date of Patent:** **** Jan. 19, 2010**

(54) **RECYCLING SYSTEM**

(75) Inventors: **John C. Cantrell**, Atlanta, GA (US);
David L. Rush, Atlanta, GA (US)

(73) Assignee: **HOK**, Culver City, CA (US)

(**) Term: **14 Years**

(21) Appl. No.: **29/343,931**

(22) Filed: **Sep. 22, 2009**

Related U.S. Application Data

(62) Division of application No. 29/336,115, filed on Apr. 29, 2009.

(51) **LOC (9) Cl.** **09-09**

(52) **U.S. Cl.** **D34/5; D34/1**

(58) **Field of Classification Search** D34/1,
D34/5, 6, 7, 8, 9, 10, 11; 220/908, 908.1,
220/911, 200

See application file for complete search history.

(56) **References Cited**

U.S. PATENT DOCUMENTS

D292,037 S * 9/1987 Hanifl D34/7
4,697,771 A * 10/1987 Majors 248/97
4,927,076 A * 5/1990 Simpson 229/132

5,165,563 A * 11/1992 McKendry 220/254.8
5,201,417 A * 4/1993 Outlaw, III 206/366
5,273,161 A * 12/1993 Sagstetter 206/366
D586,521 S * 2/2009 Pho et al. D34/11
D591,470 S * 4/2009 Tuncel D34/7

* cited by examiner

Primary Examiner—Cynthia E Ramirez

(74) *Attorney, Agent, or Firm*—Bryan W. Bockhop; Bockhop & Associates, LLC

(57) **CLAIM**

The ornamental design for a recycling system, as shown and described.

DESCRIPTION

FIG. 1 is a bird's-eye isometric view showing the front, top, and side of my new ornamental design for a recycling system;

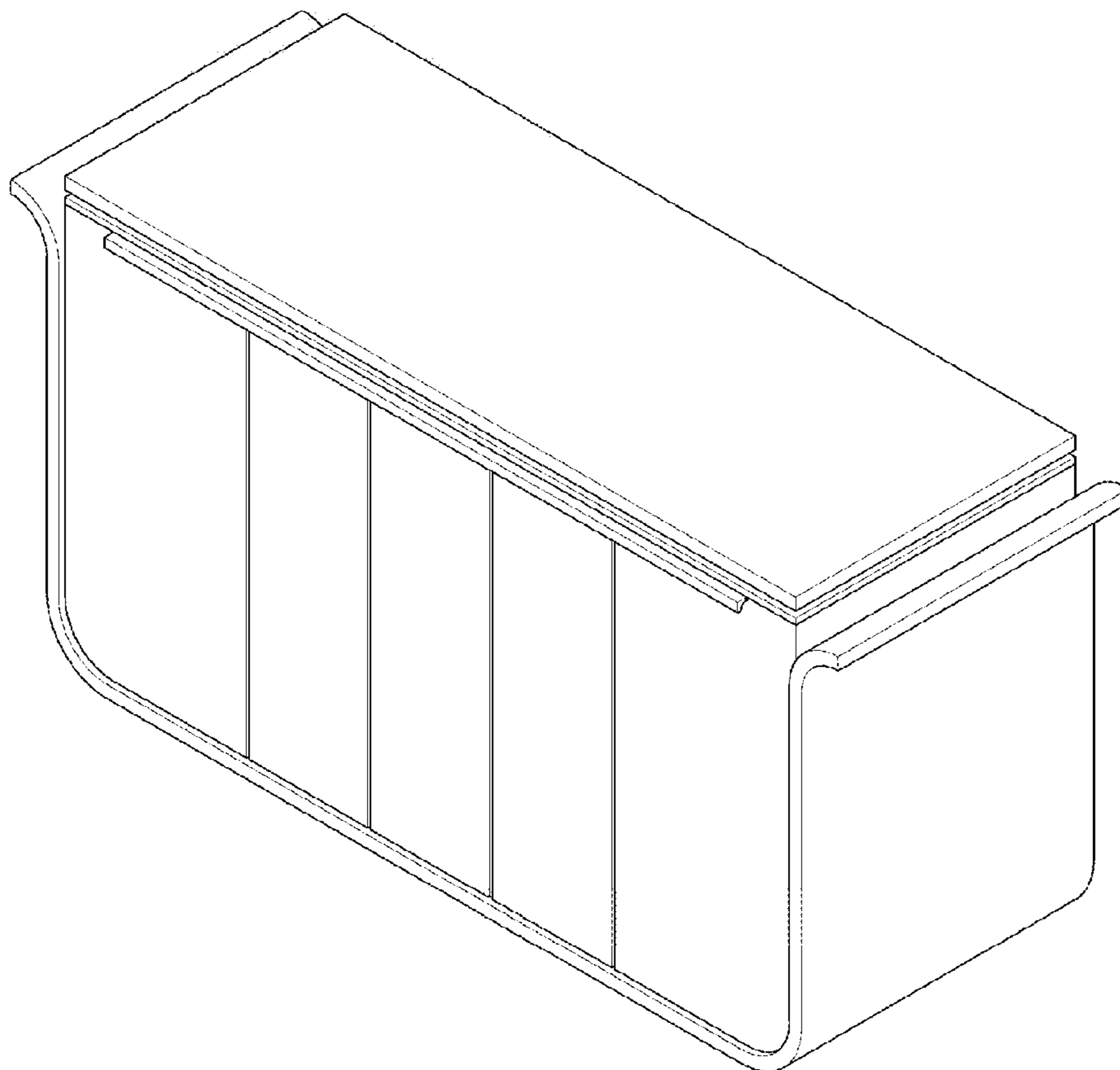
FIG. 2 is a front elevational view of the recycling system shown in FIG. 1;

FIG. 3 is a rear elevational view of the recycling system shown in FIG. 1;

FIG. 4 is a top plan view of the recycling system shown in FIG. 1; and,

FIG. 5 is a side elevational view of the recycling system shown in FIG. 1, the opposite side of which is a mirror image.

1 Claim, 3 Drawing Sheets



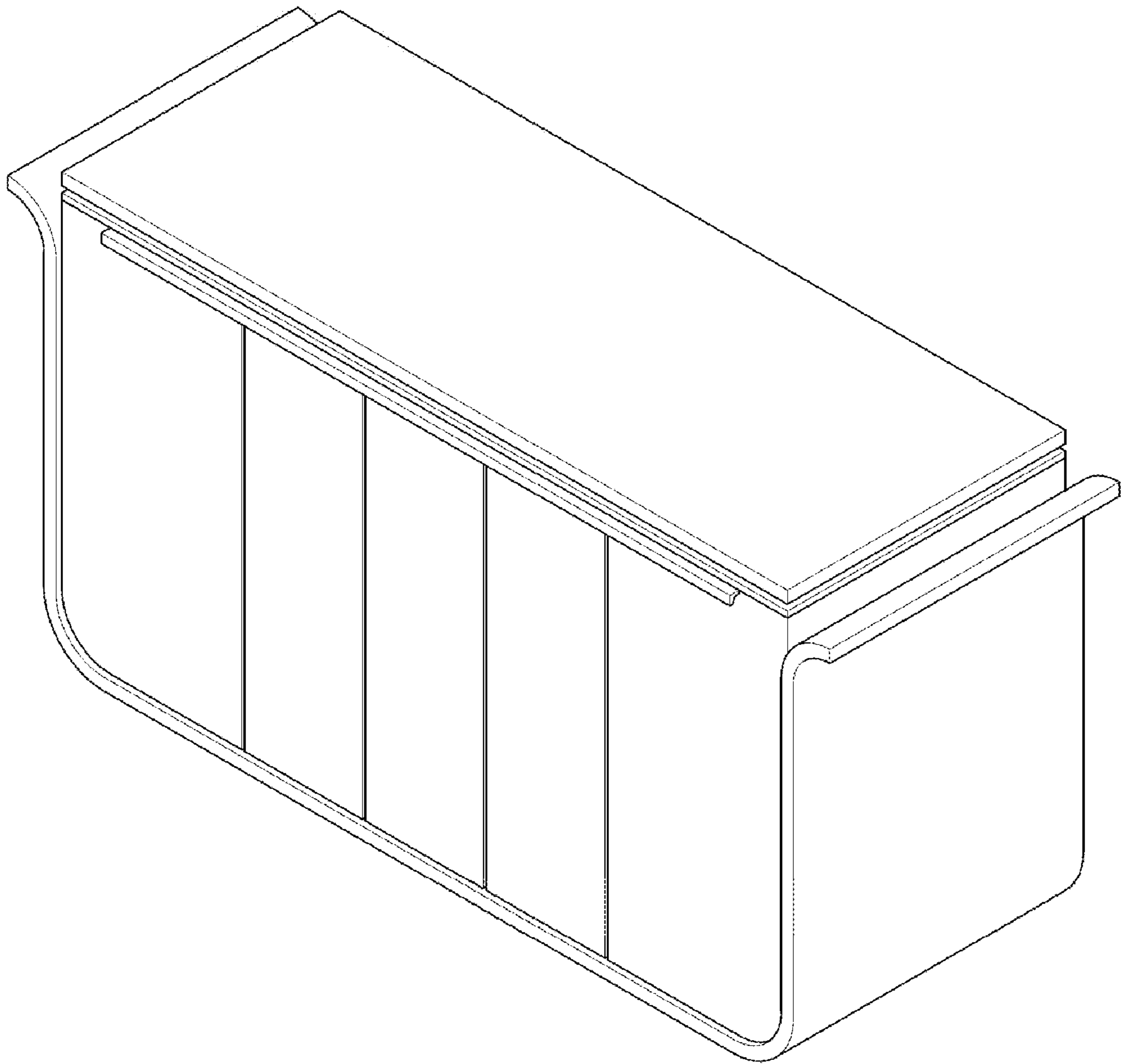


FIG. 1

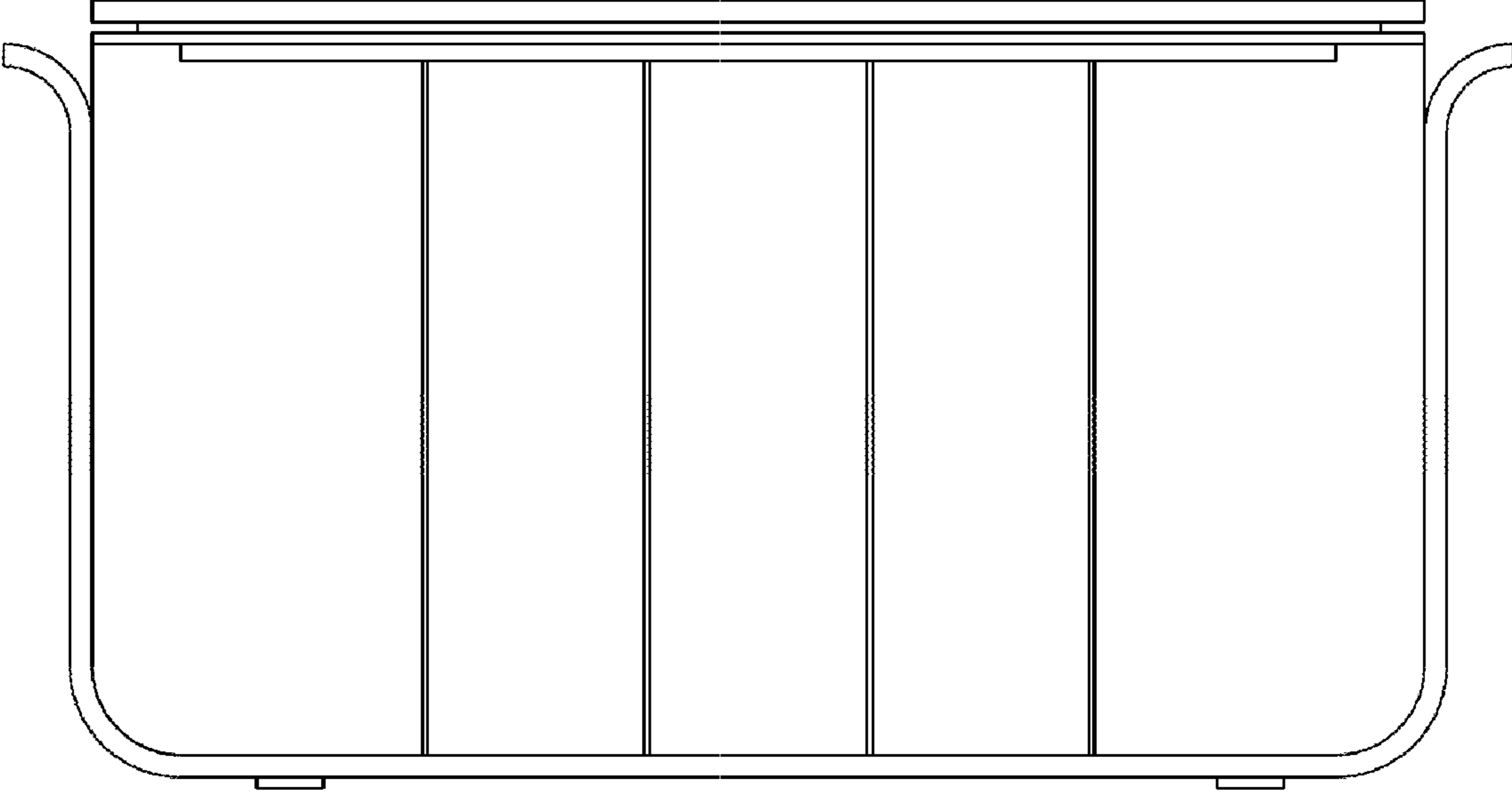


FIG. 2

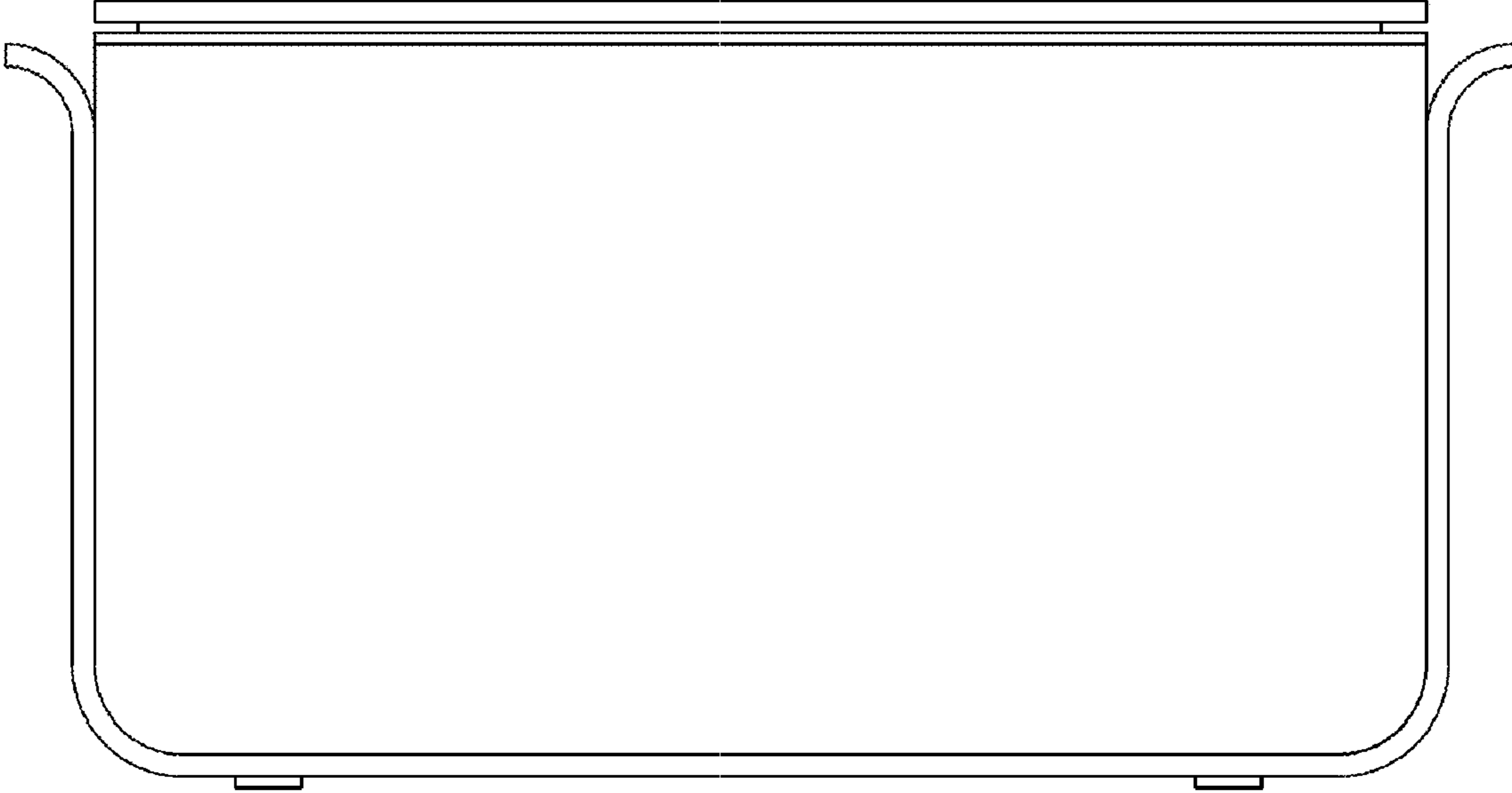


FIG. 3

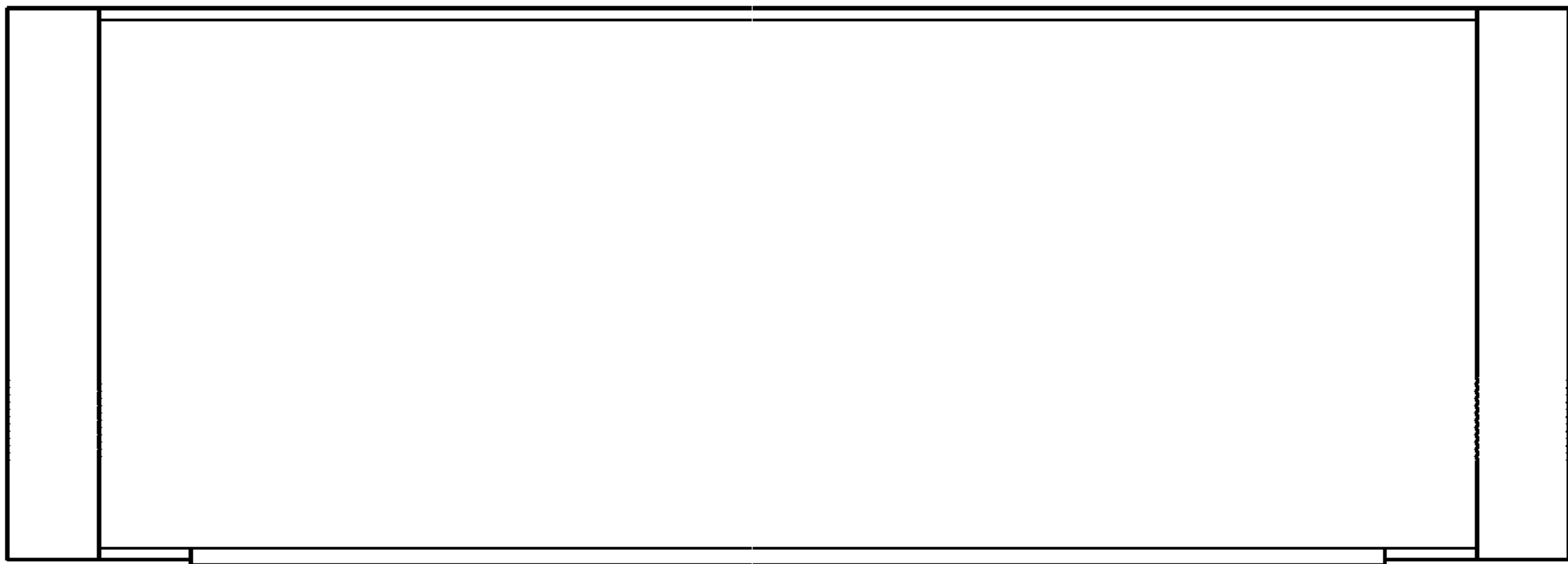


FIG. 4

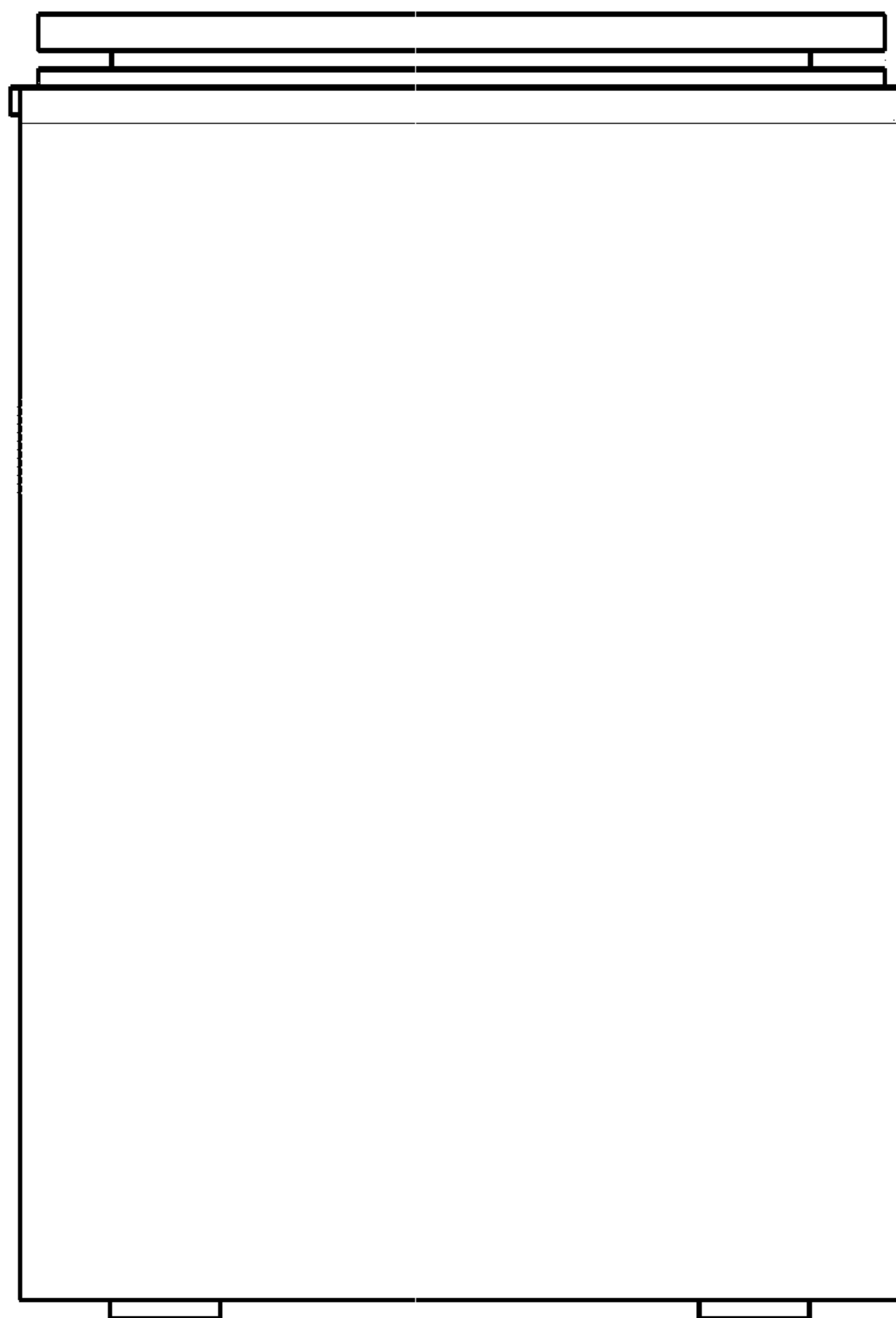


FIG. 5