



US00D608512S

(12) **United States Design Patent**
Catron

(10) **Patent No.:** **US D608,512 S**
(45) **Date of Patent:** **** Jan. 19, 2010**

(54) **VACUUM**

D571,065 S * 6/2008 Luebbering D32/31

(75) Inventor: **Mark Allen Catron**, Winchester, VA (US)

* cited by examiner

(73) Assignee: **Rubbermaid Commercial Products LLC**, Winchester, VA (US)

Primary Examiner—Ruth McInroy

(74) *Attorney, Agent, or Firm*—Foley & Lardner LLP

(**) Term: **14 Years**

(57) **CLAIM**

(21) Appl. No.: **29/306,689**

I claim the ornamental design for a vacuum, as shown and described.

(22) Filed: **Apr. 14, 2008**

DESCRIPTION

(51) **LOC (9) Cl.** **15-05**

FIG. 1 is a top front perspective view of a vacuum according to my new design;

(52) **U.S. Cl.** **D32/22**

FIG. 2 is a front view of the vacuum shown in FIG. 1;

(58) **Field of Classification Search** D32/21–22, D32/31, 34, 25; 15/347, 350–353, 361, 410–411, 15/335, 366, 229.2, 246.2, 327.1–327.2; 55/366, 429, 315, 356, 372

FIG. 3 is a rear view of the vacuum shown in FIG. 1;

FIG. 4 is a right side view of the vacuum shown in FIG. 1;

FIG. 5 is a left side view of the vacuum shown in FIG. 1;

See application file for complete search history.

FIG. 6 is a top view of the vacuum shown in FIG. 1; and,

FIG. 7 is a bottom view of the vacuum shown in FIG. 1.

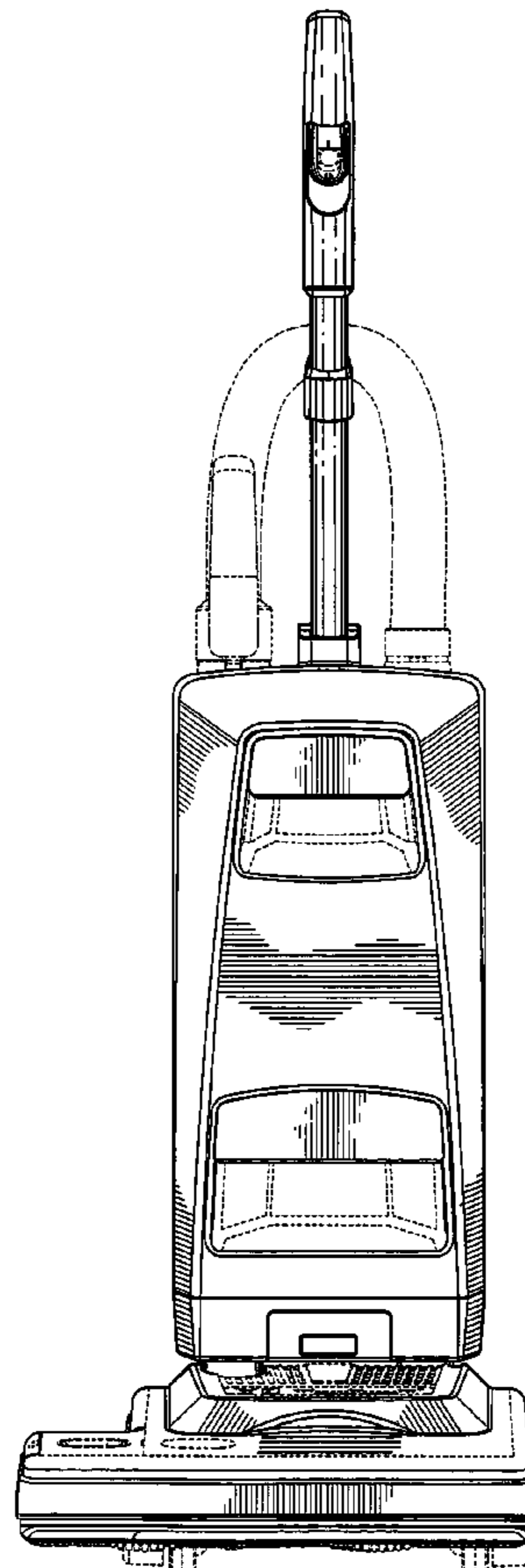
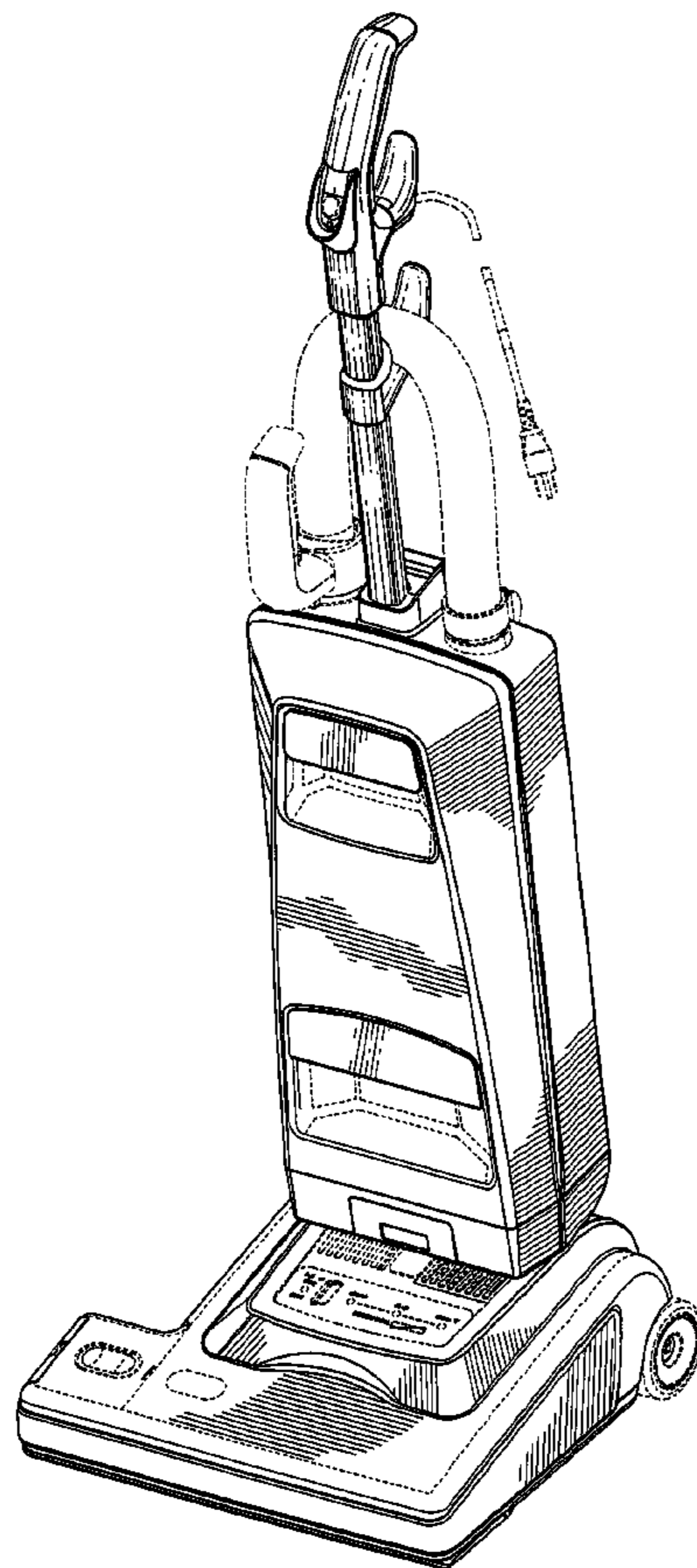
The ornamental design which is claimed is shown in solid lines in the drawings. The broken lines in the drawings are for illustrative purposes only and form no part of the claimed design.

(56) **References Cited**

U.S. PATENT DOCUMENTS

D293,727 S *	1/1988	Wareham et al.	D32/22
D293,728 S *	1/1988	Ohhira et al.	D32/22
D339,433 S *	9/1993	Stein et al.	D32/22
D497,042 S *	10/2004	Elrod	D32/22
D499,220 S *	11/2004	Kim	D32/22

1 Claim, 6 Drawing Sheets



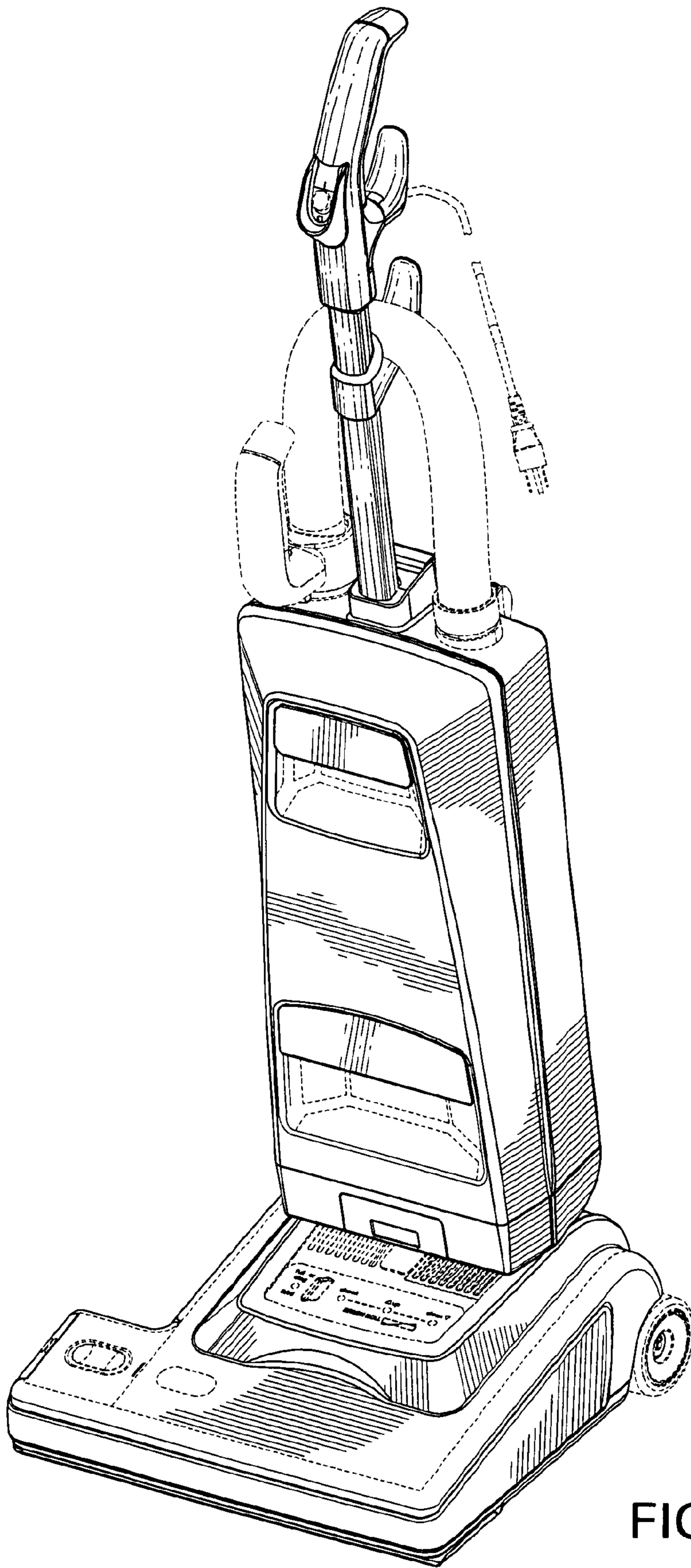


FIG. 1

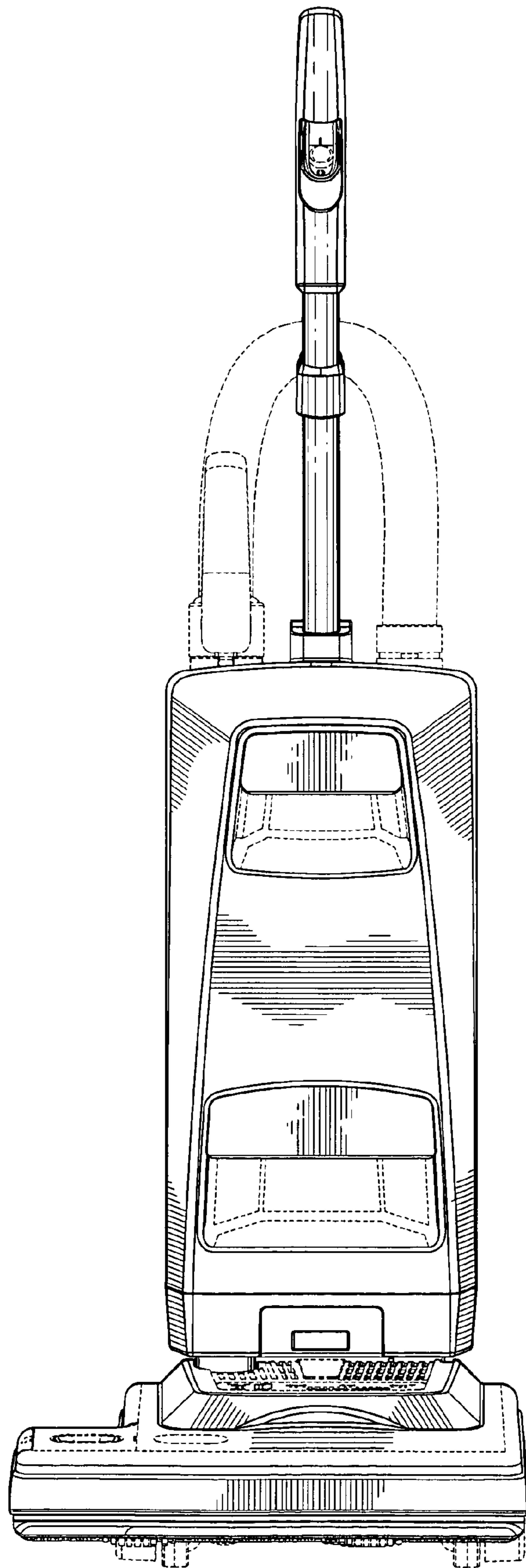


FIG. 2

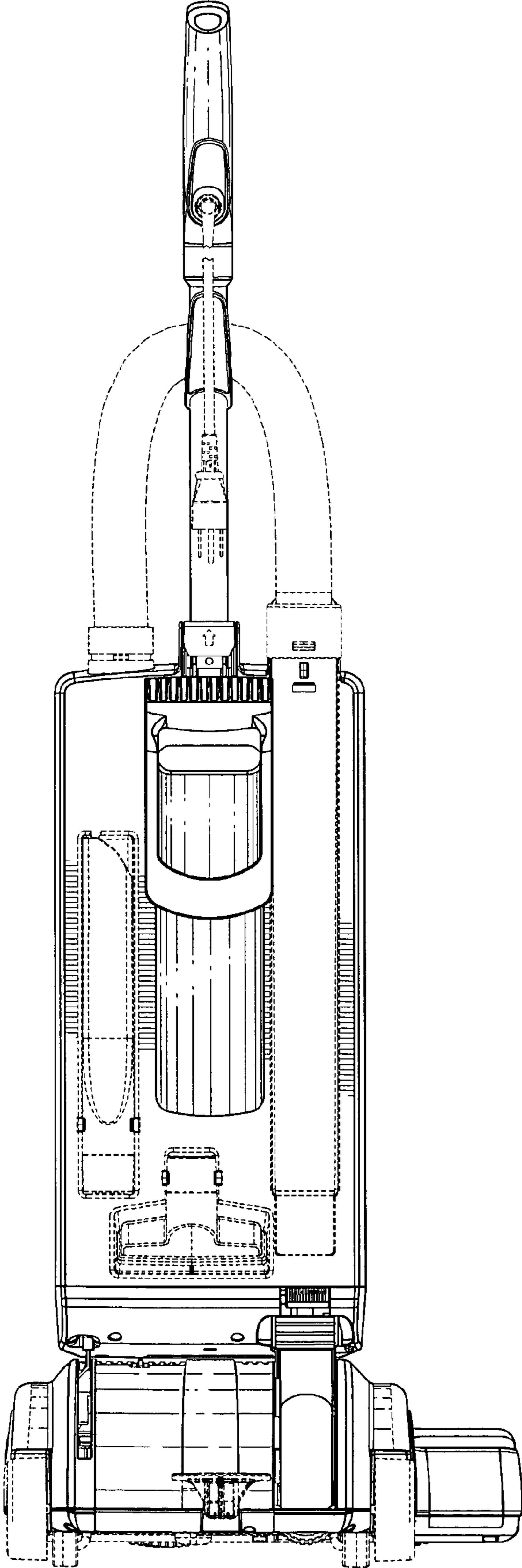


FIG.3

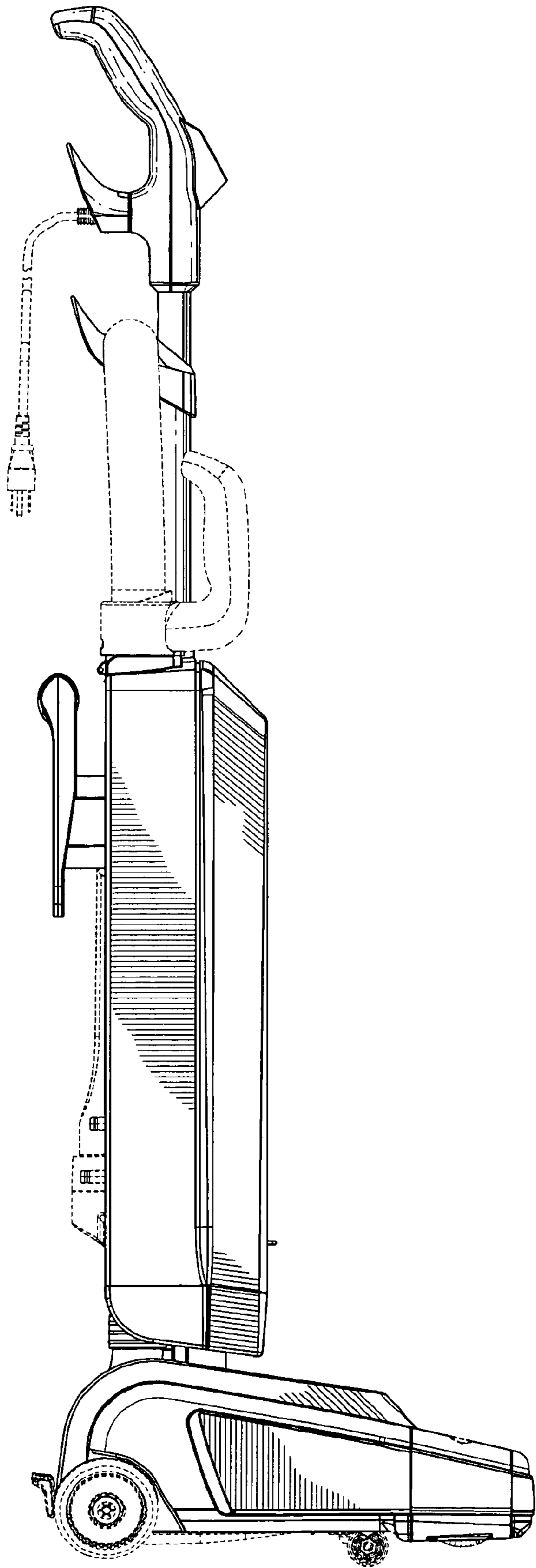


FIG. 4

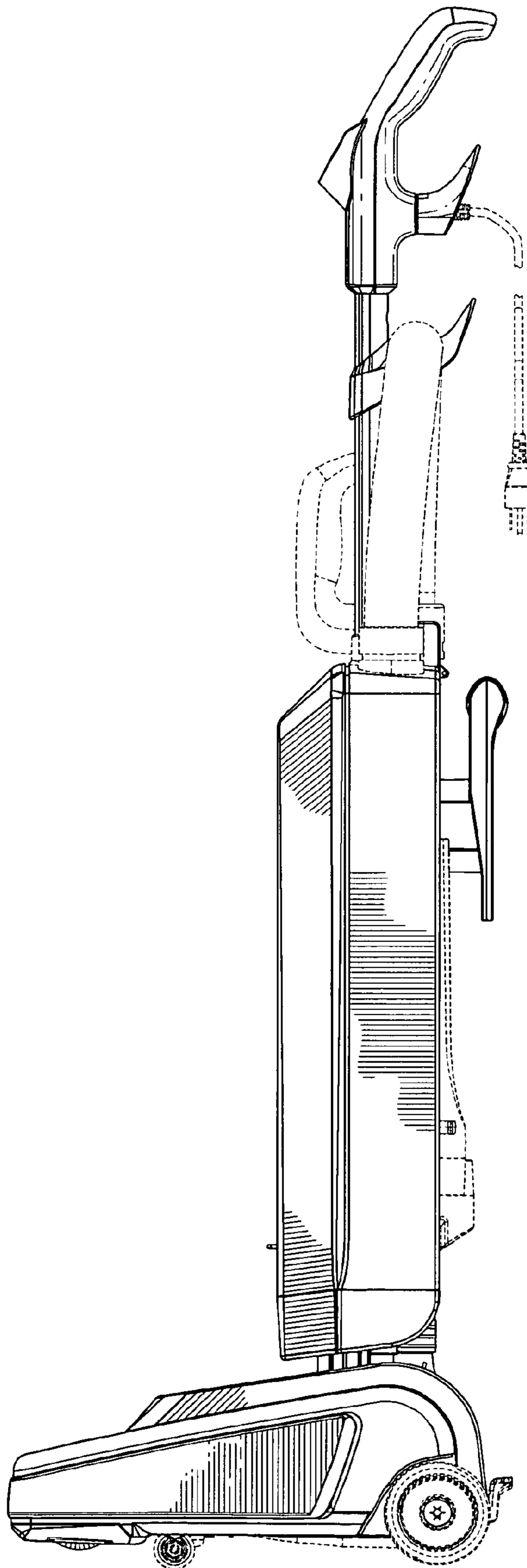


FIG. 5

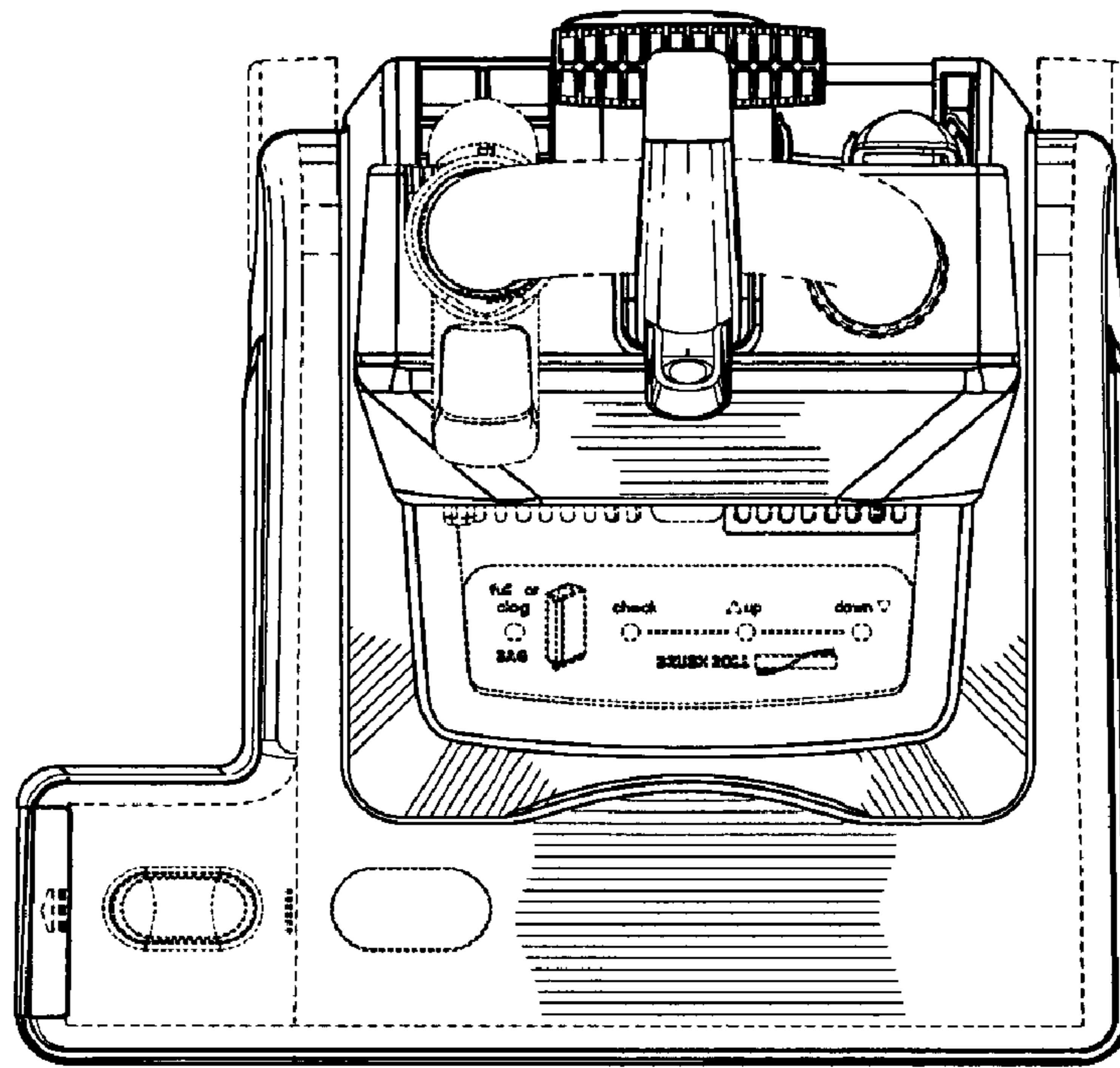


FIG. 6

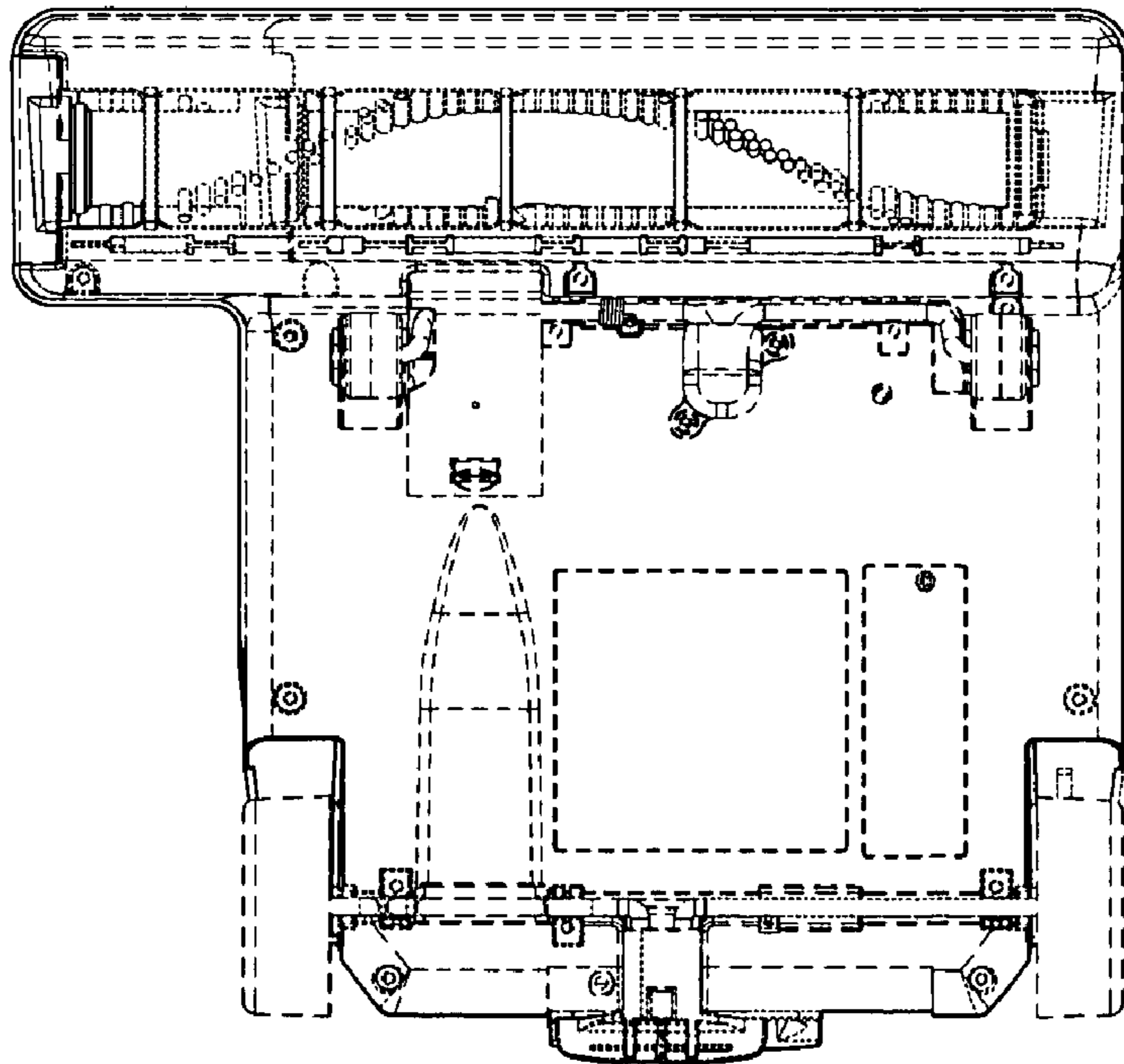


FIG. 7