



US00D608511S

(12) **United States Design Patent**
Okuda et al.

(10) **Patent No.:** **US D608,511 S**
(45) **Date of Patent:** **** Jan. 19, 2010**

(54) **ELECTRIC VACUUM CLEANER**

(75) Inventors: **Shinsuke Okuda**, Anjo (JP); **Hiroshi Otsuka**, Anjo (JP)

(73) Assignee: **Makita Corporation**, Anjo-shi (JP)

(**) Term: **14 Years**

(21) Appl. No.: **29/311,605**

(22) Filed: **Apr. 29, 2009**

(30) **Foreign Application Priority Data**

Oct. 31, 2008 (JP) 2008-028088

(51) **LOC (9) Cl.** **15-05**

(52) **U.S. Cl.** **D32/18**

(58) **Field of Classification Search** D32/15-18,
D32/22, 30-31, 34; 15/344, 329, 347, 352-353,
15/331, 338, 412; 55/345, DIG. 3, 337, 429,
55/459.1; 95/268, 271
See application file for complete search history.

(56) **References Cited**

U.S. PATENT DOCUMENTS

D294,412 S * 2/1988 Sadashima et al. D32/18
D401,021 S * 11/1998 Stephens et al. D32/18
D456,960 S * 5/2002 Vandebelt et al. D32/18
D489,849 S * 5/2004 Ki D32/18
D507,385 S * 7/2005 Ma D32/18
D569,059 S * 5/2008 Stratford D32/18
D569,060 S * 5/2008 Stratford D32/18

D579,161 S * 10/2008 Crawley D32/18
D595,463 S * 6/2009 Tirone et al. D32/18
2006/0059655 A1 * 3/2006 Lau 15/412

FOREIGN PATENT DOCUMENTS

JP S-588079-2 10/1986
JP S-977047 3/1997

OTHER PUBLICATIONS

Makita Corporation, Catalogue, 4093DW/D 4073DW/D 4071
DW/D 4072 DW 4070DW 4093DW/D, Feb. 2000.

* cited by examiner

Primary Examiner—Ruth McInroy

(74) *Attorney, Agent, or Firm*—Oliff & Berridge, PLC

(57) **CLAIM**

The ornamental design for an electric vacuum cleaner, as shown and described.

DESCRIPTION

FIG. 1 is a perspective view of an electric vacuum cleaner showing our new design;

FIG. 2 is a front elevation view thereof;

FIG. 3 is a rear elevation view thereof;

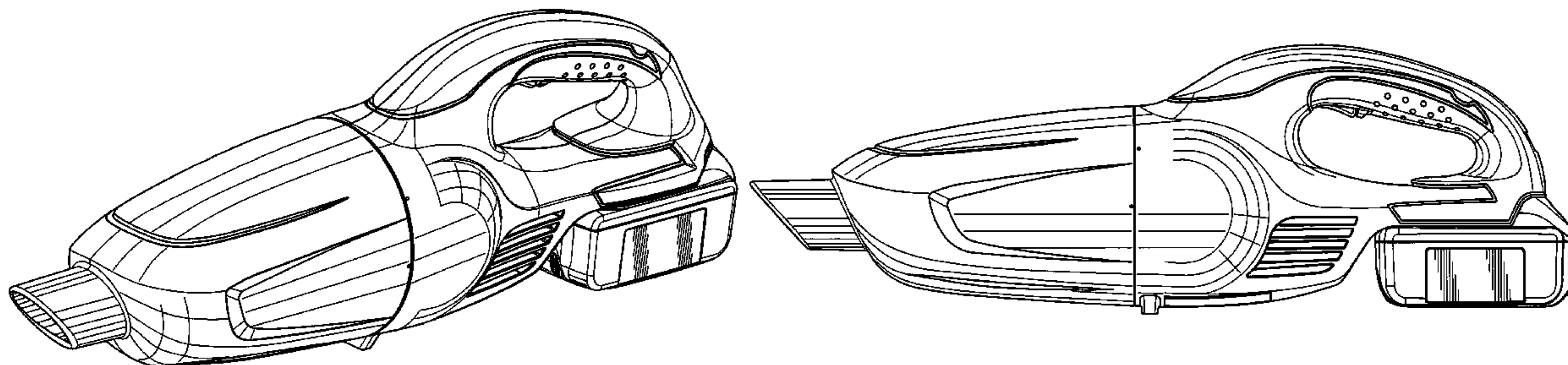
FIG. 4 is a left side elevation view thereof;

FIG. 5 is a right side elevation view thereof;

FIG. 6 is a top plan view thereof; and,

FIG. 7 is a bottom plan view thereof.

1 Claim, 5 Drawing Sheets



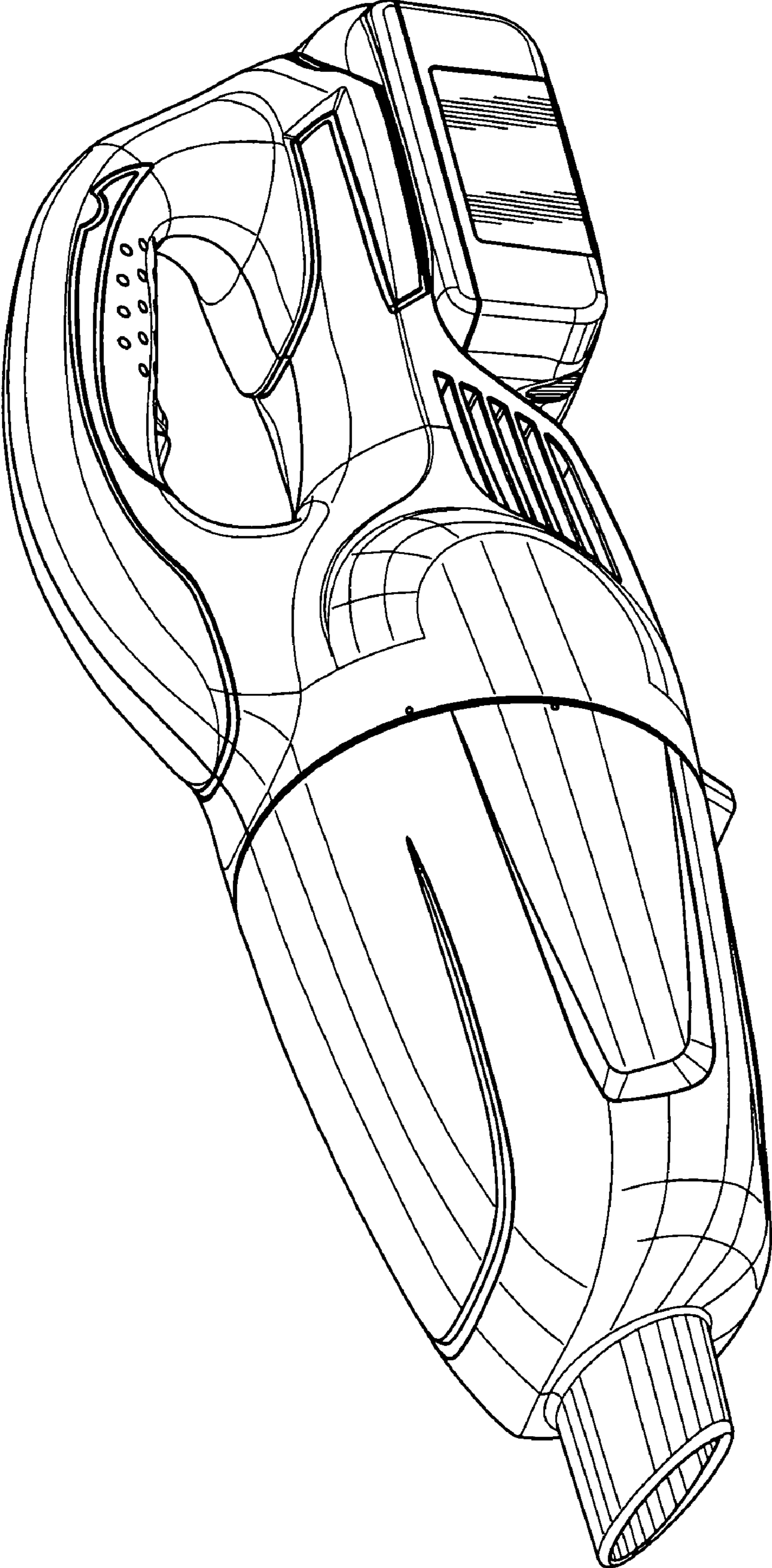


FIG. 1

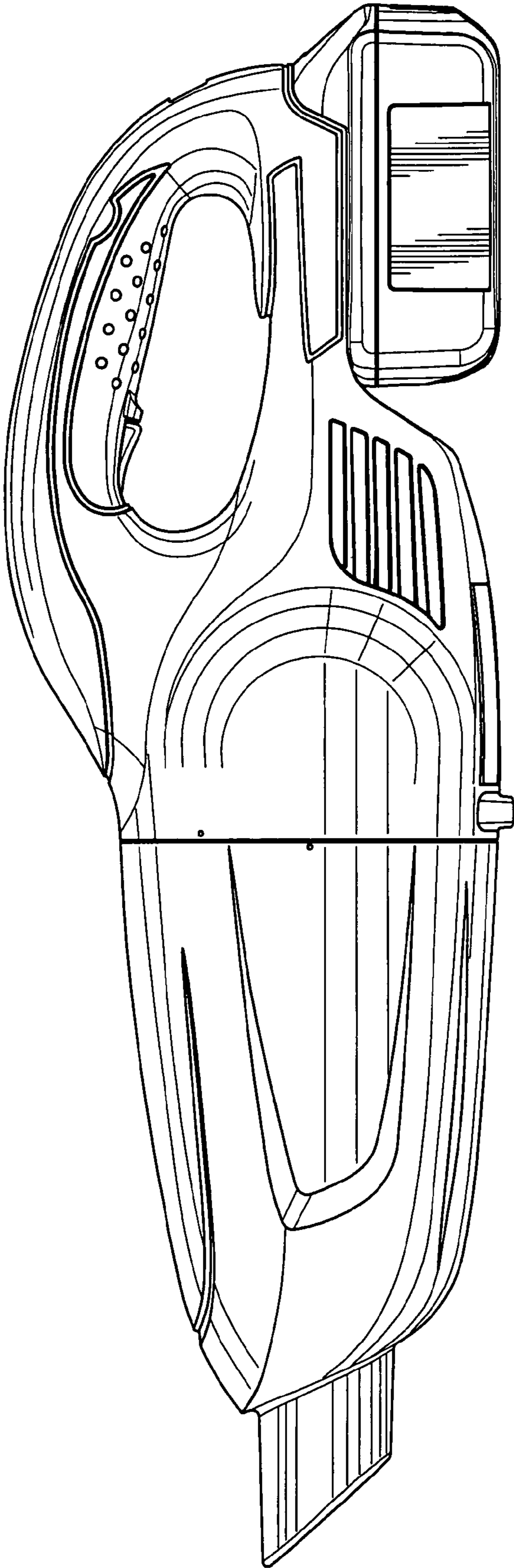


FIG. 2

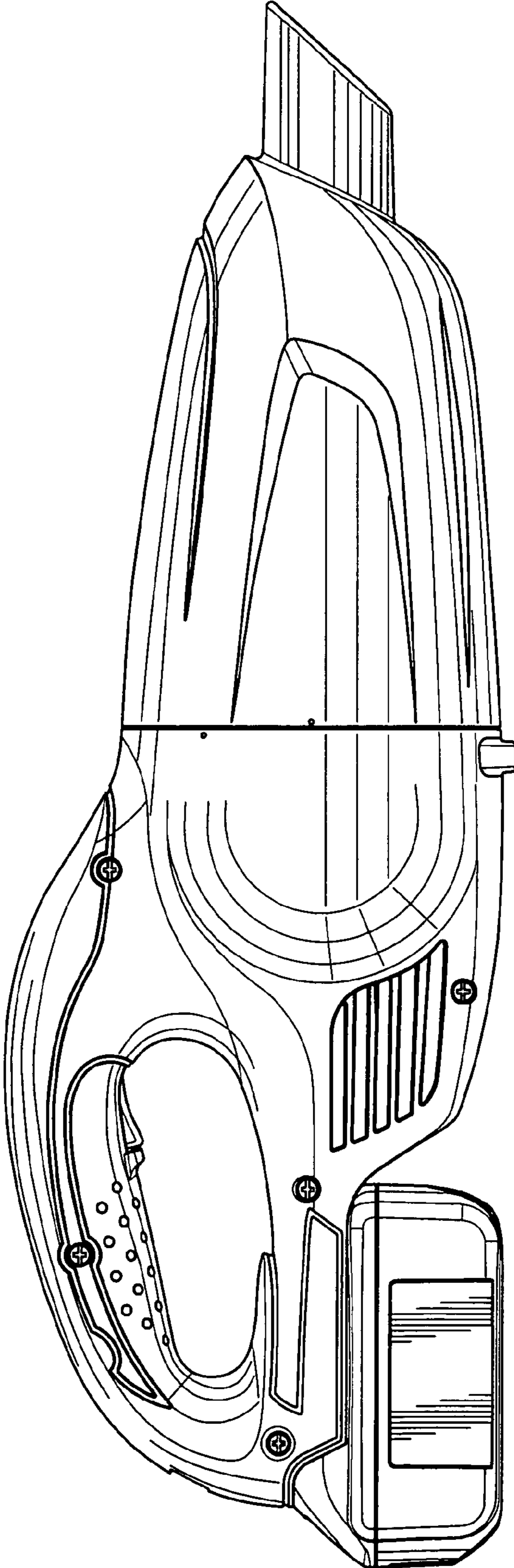


FIG. 3

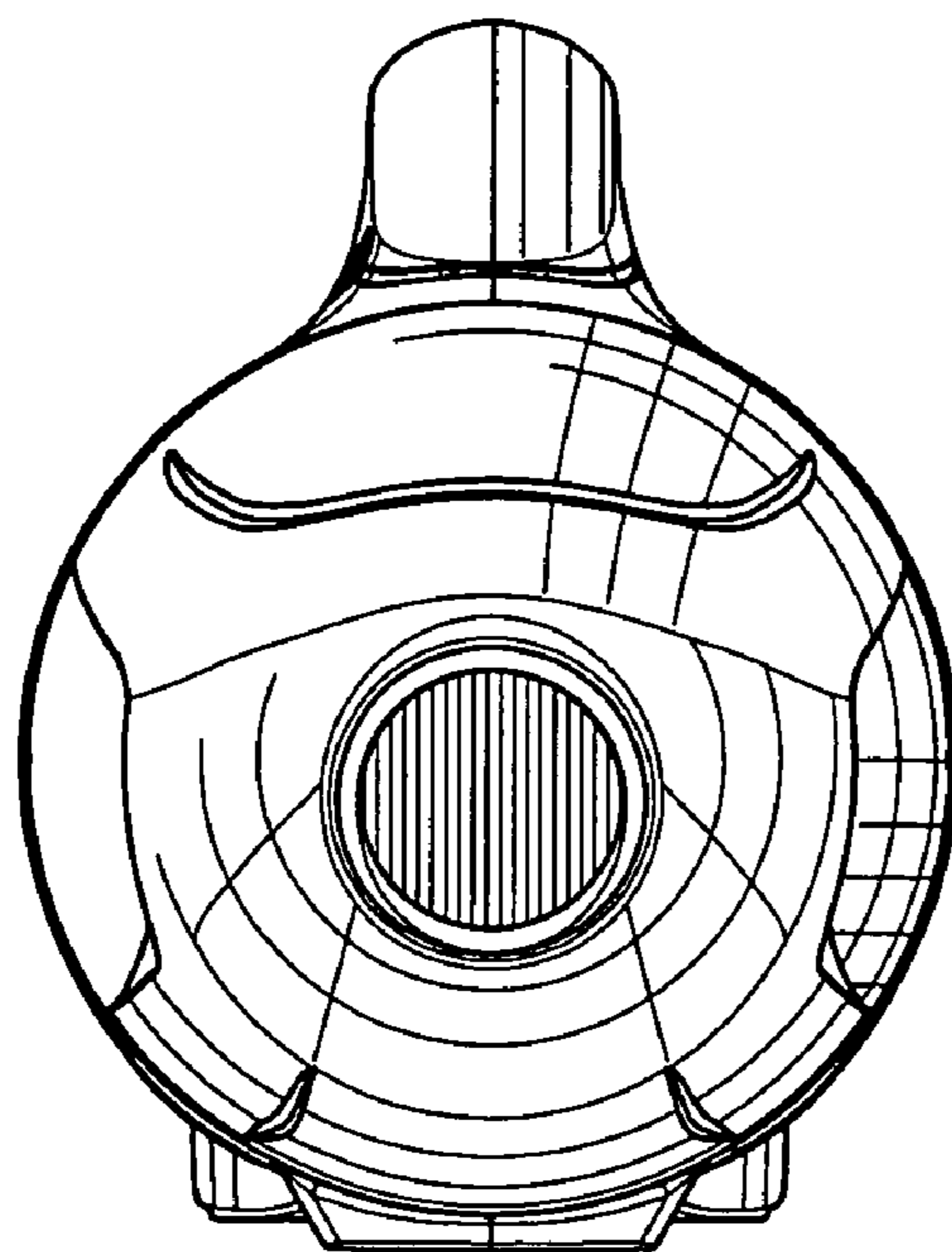


FIG. 4

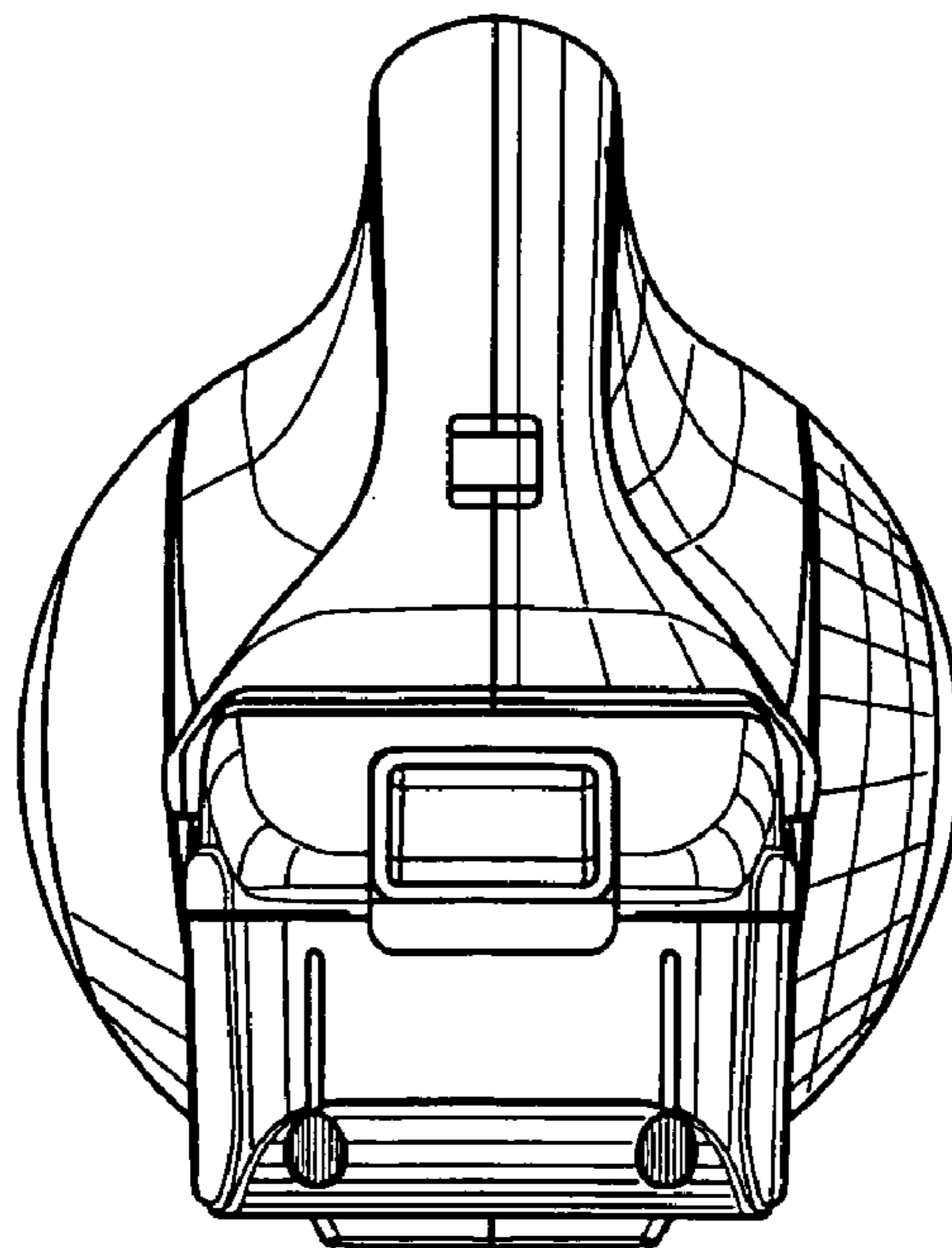


FIG. 5

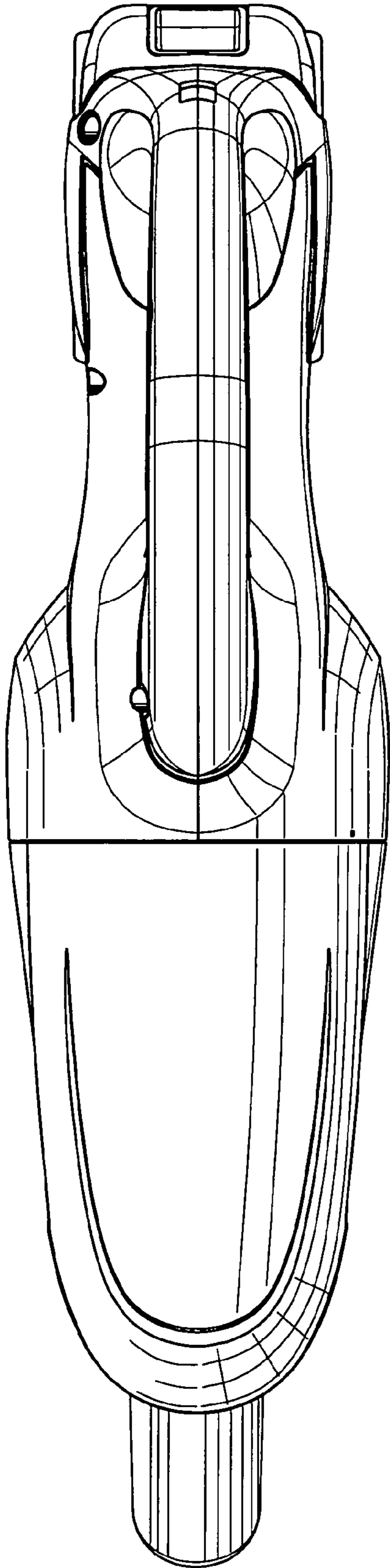


FIG. 6

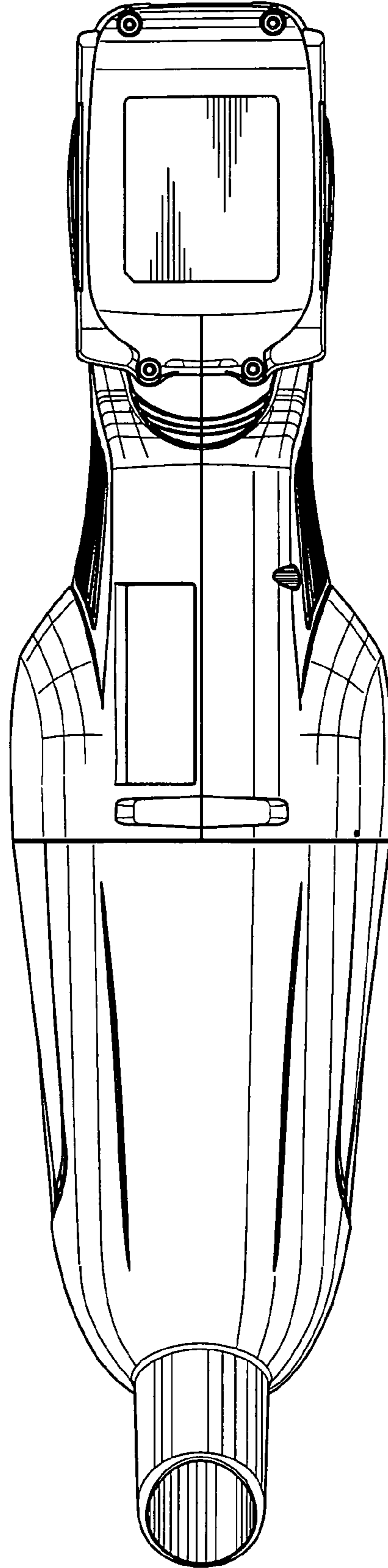


FIG. 7