



US00D608506S

(12) **United States Design Patent**
Thomas

(10) **Patent No.:** **US D608,506 S**
(45) **Date of Patent:** **** Jan. 19, 2010**

(54) **BIRD HOUSE**

(76) Inventor: **Charles Thomas**, 500 Via Cantebria,
Encinitas, CA (US) 92024

(**) Term: **14 Years**

(21) Appl. No.: **29/305,095**

(22) Filed: **Mar. 13, 2008**

(51) **LOC (9) Cl.** **30-02**

(52) **U.S. Cl.** **D30/110; D30/124**

(58) **Field of Classification Search** D30/110-112,
D30/114, 117, 119, 124-128; 119/428-429,
119/431-435, 452-454, 459, 461, 469-470,
119/513

See application file for complete search history.

(56) **References Cited**

U.S. PATENT DOCUMENTS

1,516,381	A *	11/1924	Erickson	119/432
2,876,738	A *	3/1959	Wettendorf	119/432
D187,135	S *	2/1960	McDonald	D30/126
D194,109	S *	11/1962	Dilley	D30/126
3,111,934	A *	11/1963	Vail	119/432
3,792,685	A *	2/1974	Wiener	119/432
D233,994	S *	12/1974	Bishop, Sr.	D30/110
D234,703	S *	4/1975	Fry	D30/126
D245,349	S *	8/1977	Fisher, Jr.	D30/128
D245,927	S *	9/1977	Edwards et al.	D30/110
D249,087	S *	8/1978	Simmons	D30/126
D329,509	S *	9/1992	Burleigh	D30/124
D381,135	S *	7/1997	Hochlan, Jr.	D30/124
D396,331	S *	7/1998	Niemetz	D30/110
6,009,837	A *	1/2000	McClasky	119/428

D566,906 S * 4/2008 Rogers D30/108

* cited by examiner

Primary Examiner—Cathy Anne MacCormac

(74) *Attorney, Agent, or Firm*—Eric Hanscom; Todd Langford

(57) **CLAIM**

The ornamental design for a bird house, as shown.

DESCRIPTION

FIG. 1 is a perspective view of a bird house showing my new design;

FIG. 2 is a front view thereof, the rear view is identical;

FIG. 3 is a bottom view thereof;

FIG. 4 is a right-side view thereof;

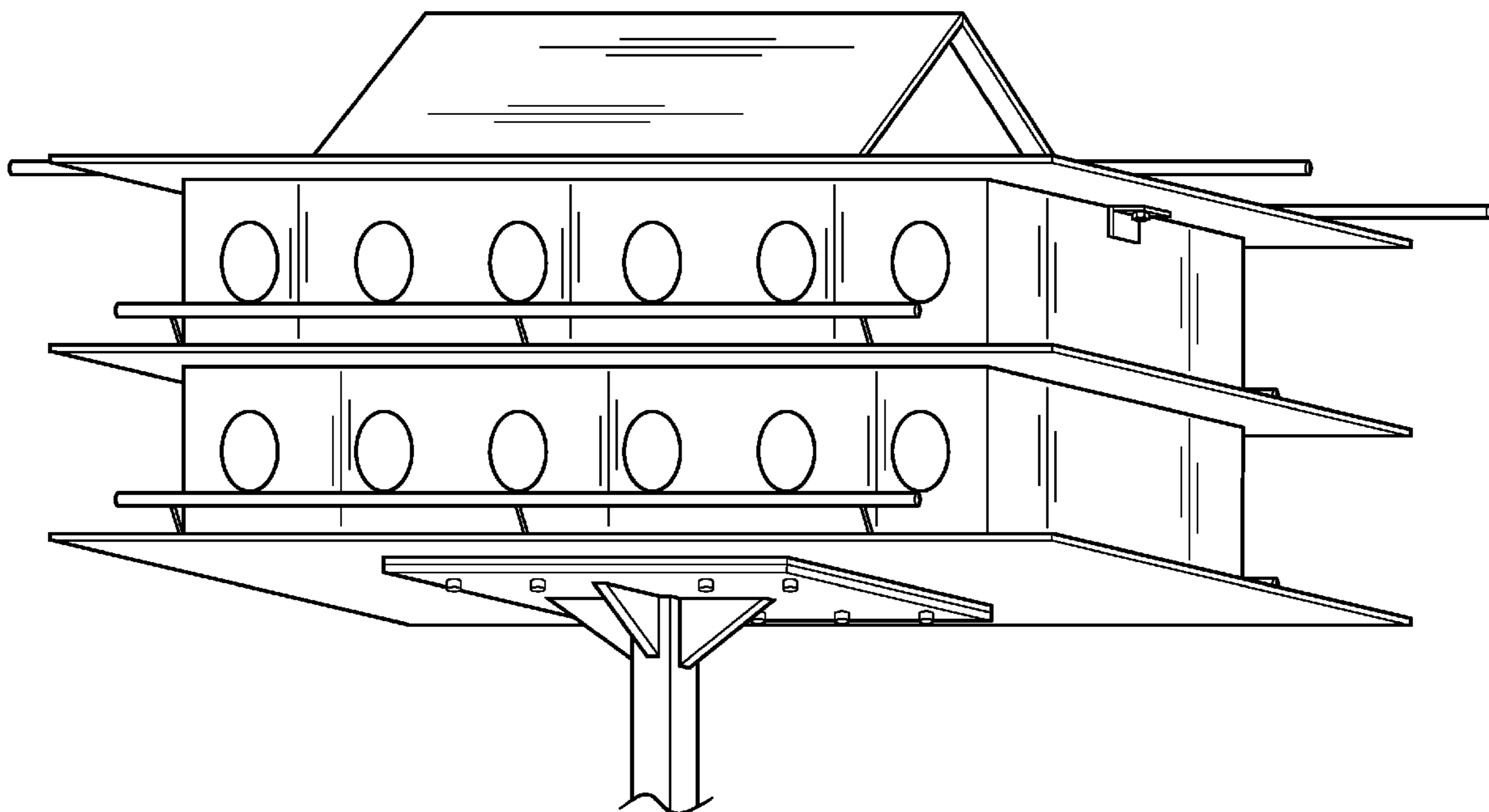
FIG. 5 is a left-side view thereof; and,

FIG. 6 is a top view thereof.

The application relates to the design of a bird house designed to accommodate birds. The bird house has two levels, each level having circular openings and a rail running across the front of the circular openings, angled out at approximately 45 degrees. The top of the bird house has a pitched roof and two rails running the length of the top and extending over the edge at both ends of the roof. The bottom of the bird house has a rectangular plate with four buttresses connecting the rectangular plate to a square pole. The broken away line on the square pole of FIGS. 1, 2, 4, and 5 represents a portion of the pole that extends beyond the drawings.

The unique design and appearance of this device are illustrated in the drawings.

1 Claim, 5 Drawing Sheets



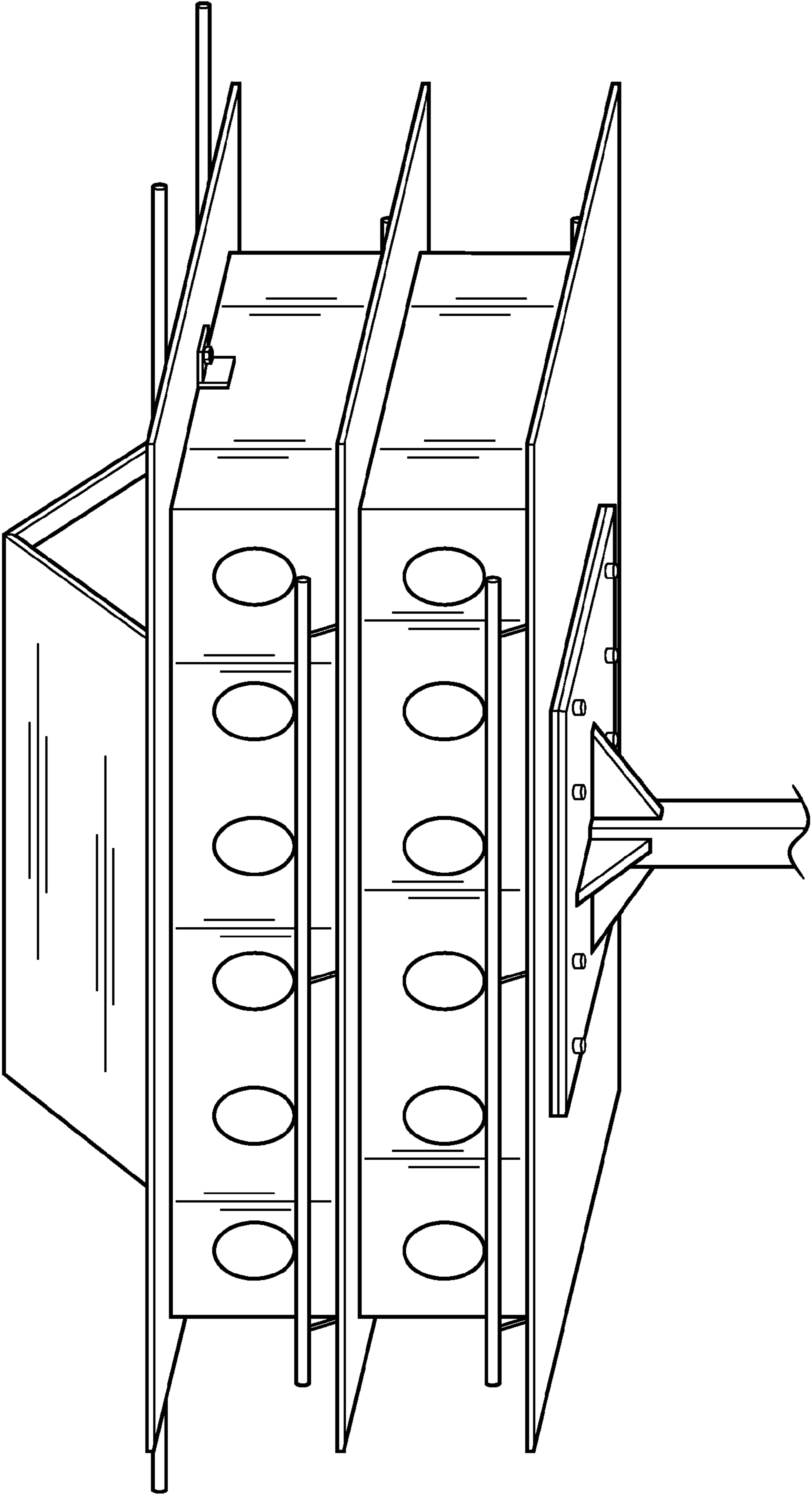


FIG. 1

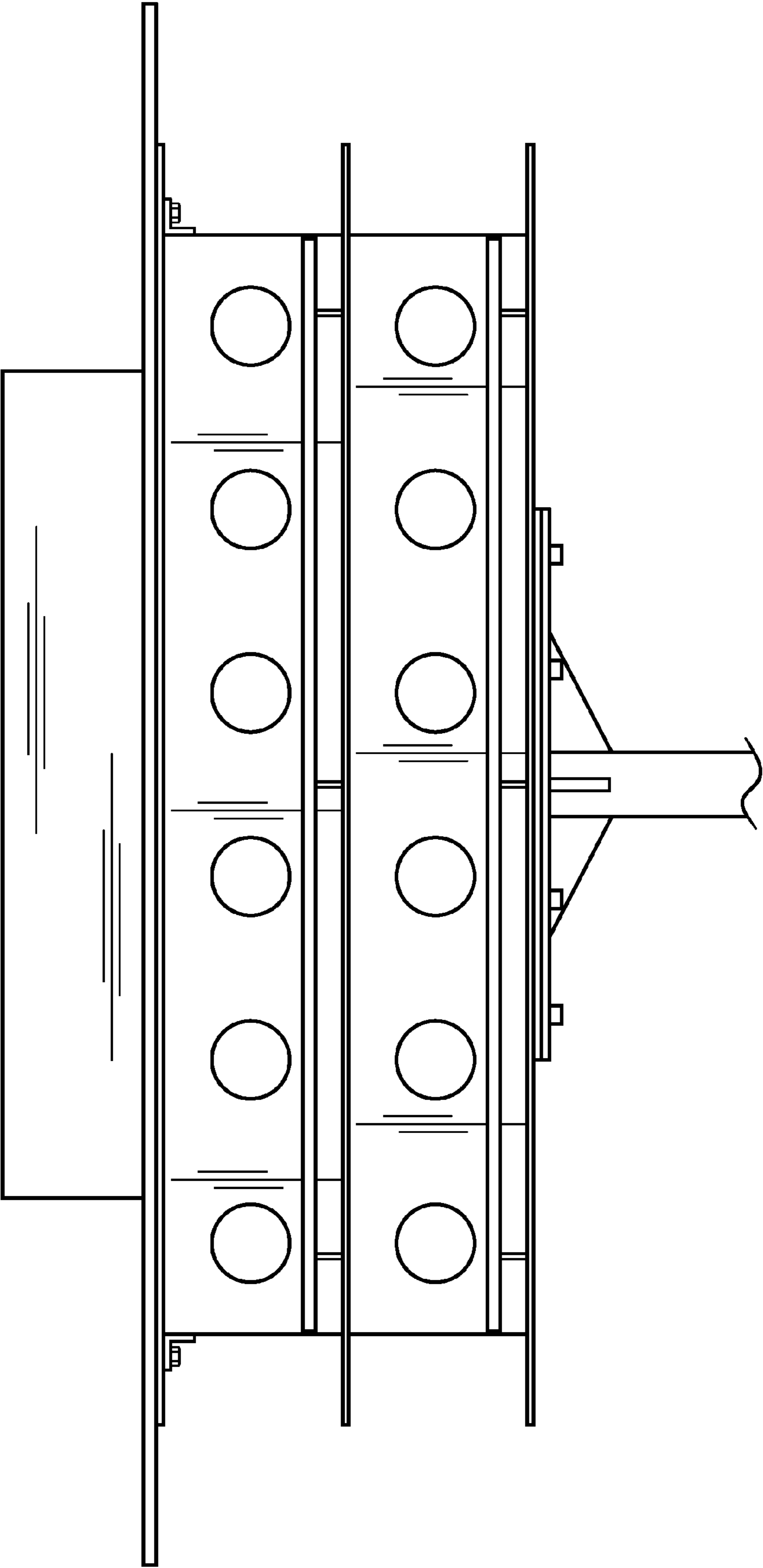


FIG. 2

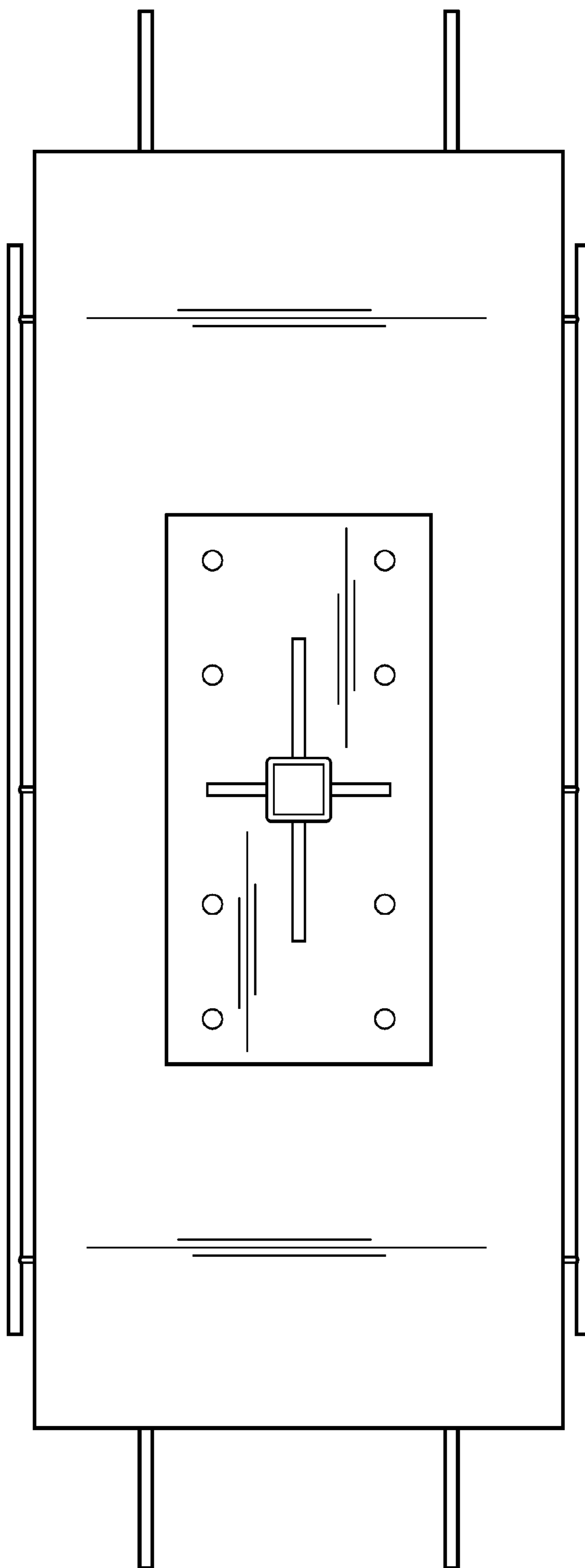


FIG. 3

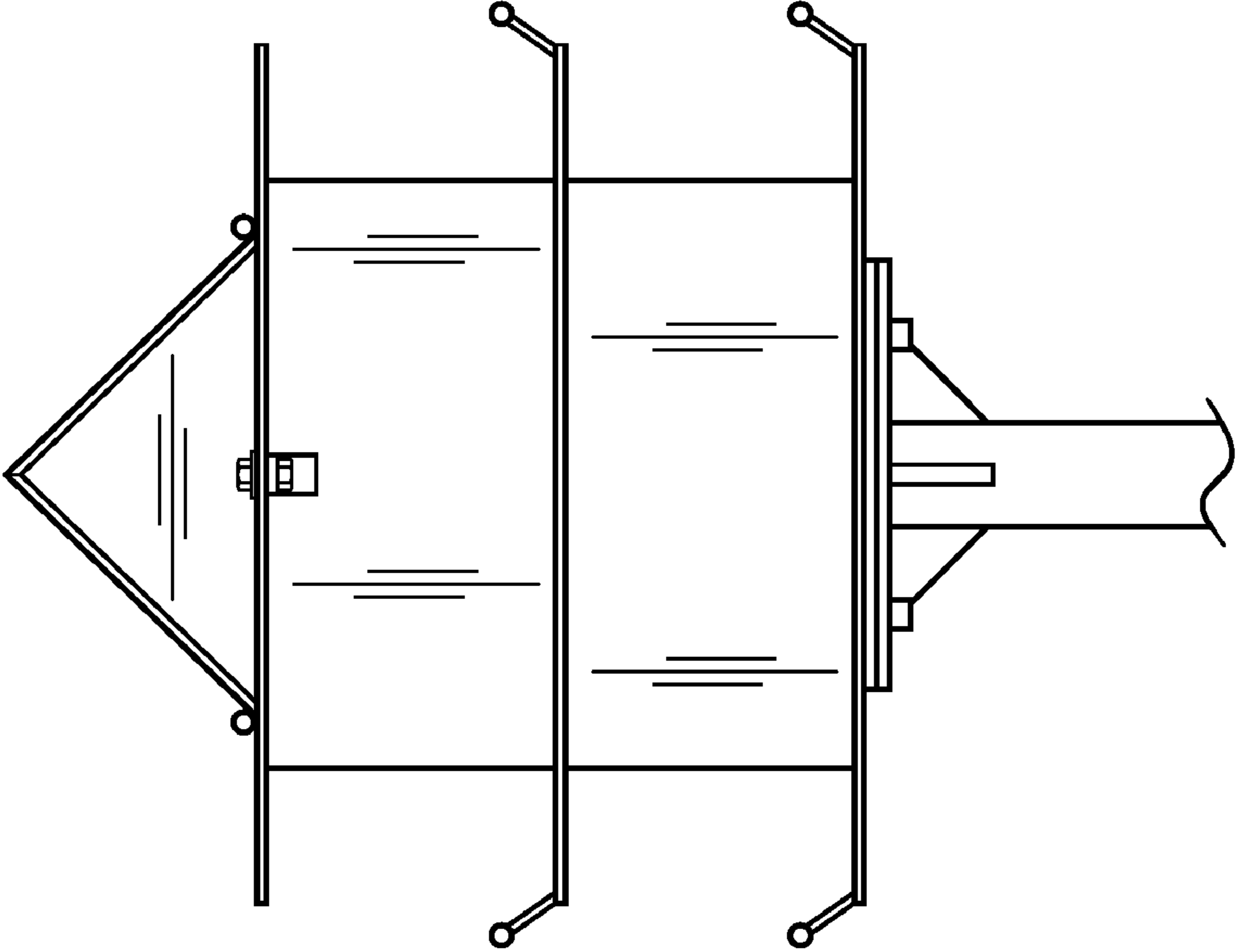


FIG. 5

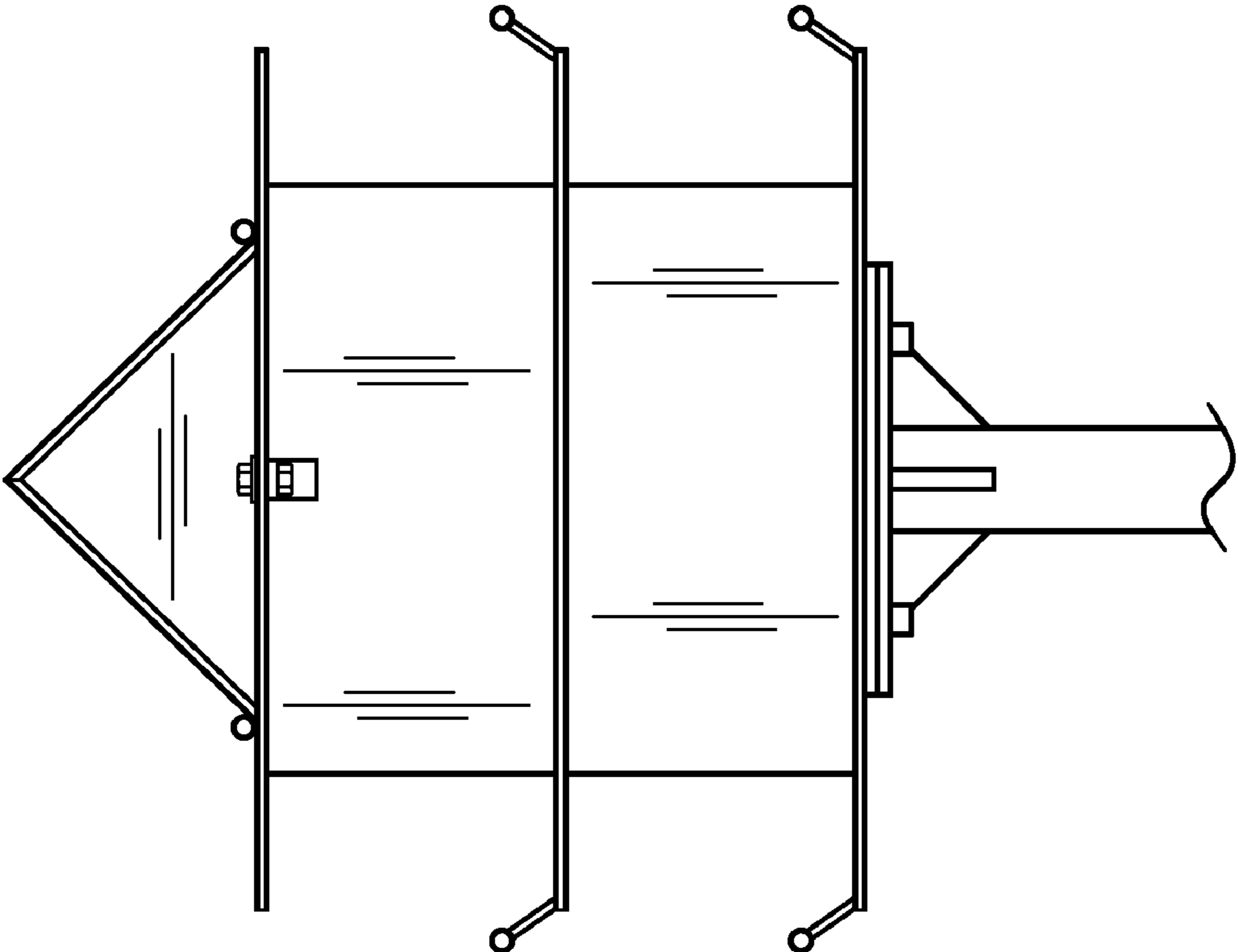


FIG. 4

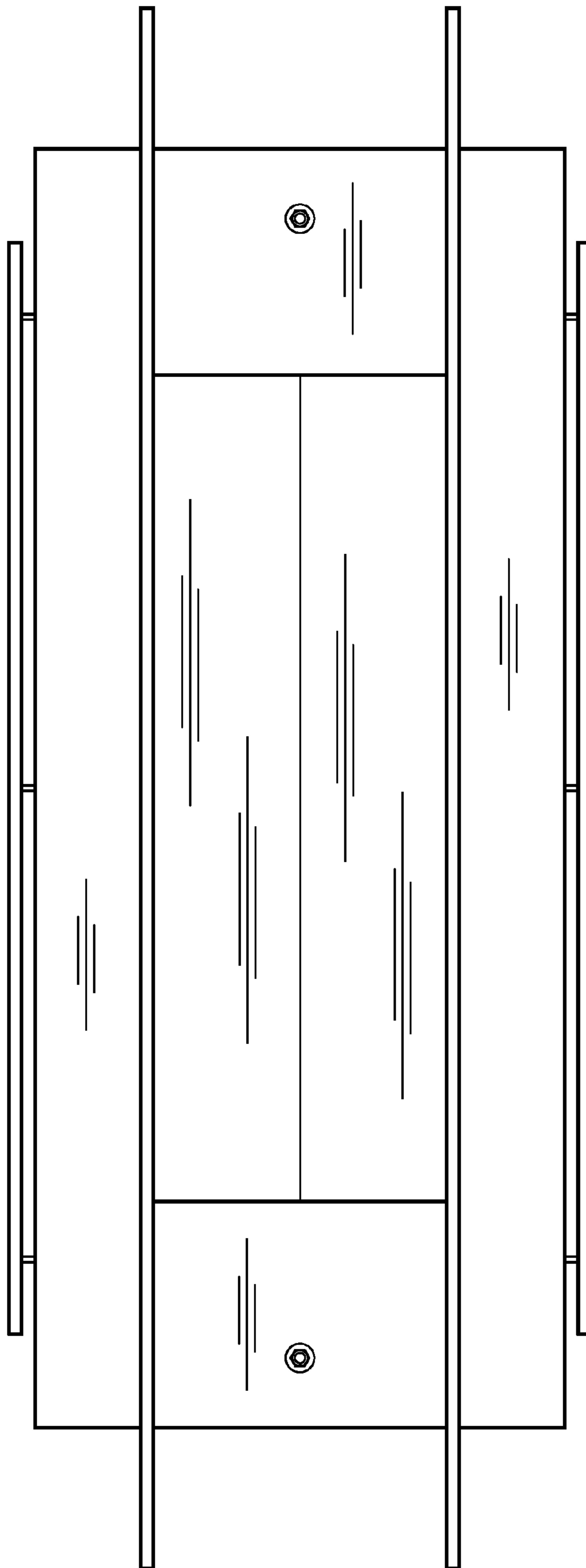


FIG. 6