



US00D608505S

(12) **United States Design Patent**
Lin

(10) **Patent No.:** **US D608,505 S**
(45) **Date of Patent:** **** Jan. 19, 2010**

(54) **DOUBLE PET STROLLER**

(76) Inventor: **Jason Lin**, 16F, No. 5, Alley 19, Lane
22, Baosheng Rd., Yonghe City, Taipei
County (TW)

(**) Term: **14 Years**

(21) Appl. No.: **29/294,054**

(22) Filed: **Dec. 21, 2007**

(51) **LOC (9) Cl.** **30-02**

(52) **U.S. Cl.** **D30/109**

(58) **Field of Classification Search** D30/108-109,
D30/112-117, 161; D12/129; 119/452-453,
119/455, 472-474, 482, 496-497, 500-501
See application file for complete search history.

(56) **References Cited**

U.S. PATENT DOCUMENTS

2,821,165	A *	1/1958	Wright	119/500
5,113,793	A *	5/1992	Leader et al.	119/453
D331,131	S *	11/1992	Quillen	D30/109
5,467,734	A *	11/1995	Ho	119/497
D431,884	S *	10/2000	Moreno	D30/108
6,223,691	B1 *	5/2001	Beattie	119/453
D445,965	S *	7/2001	Licciardello	D30/109
D453,593	S *	2/2002	Licciardello	D30/109
6,374,775	B1 *	4/2002	Baumsteiger	119/496
D475,660	S *	6/2003	Licciardello	D12/129

6,584,937	B1 *	7/2003	Ludolph	119/453
6,786,181	B1 *	9/2004	Leanheart	119/453
7,036,458	B1 *	5/2006	Stornant	119/496
7,090,242	B1 *	8/2006	Sheinall et al.	119/496
7,261,060	B1 *	8/2007	Garofola et al.	119/496
2004/0065270	A1 *	4/2004	King	119/496
2005/0166861	A1 *	8/2005	King	119/496
2006/0169218	A1 *	8/2006	Chang	119/496

* cited by examiner

Primary Examiner—Mitchell I Siegel

(74) *Attorney, Agent, or Firm*—Frenkel & Associates, P.C.

(57) **CLAIM**

The ornamental design for “double pet stroller,” as shown and described.

DESCRIPTION

FIG. 1 is a perspective view of “double pet stroller” showing my new design thereof;

FIG. 2 is a right side elevational view thereof;

FIG. 3 is a top plan view thereof;

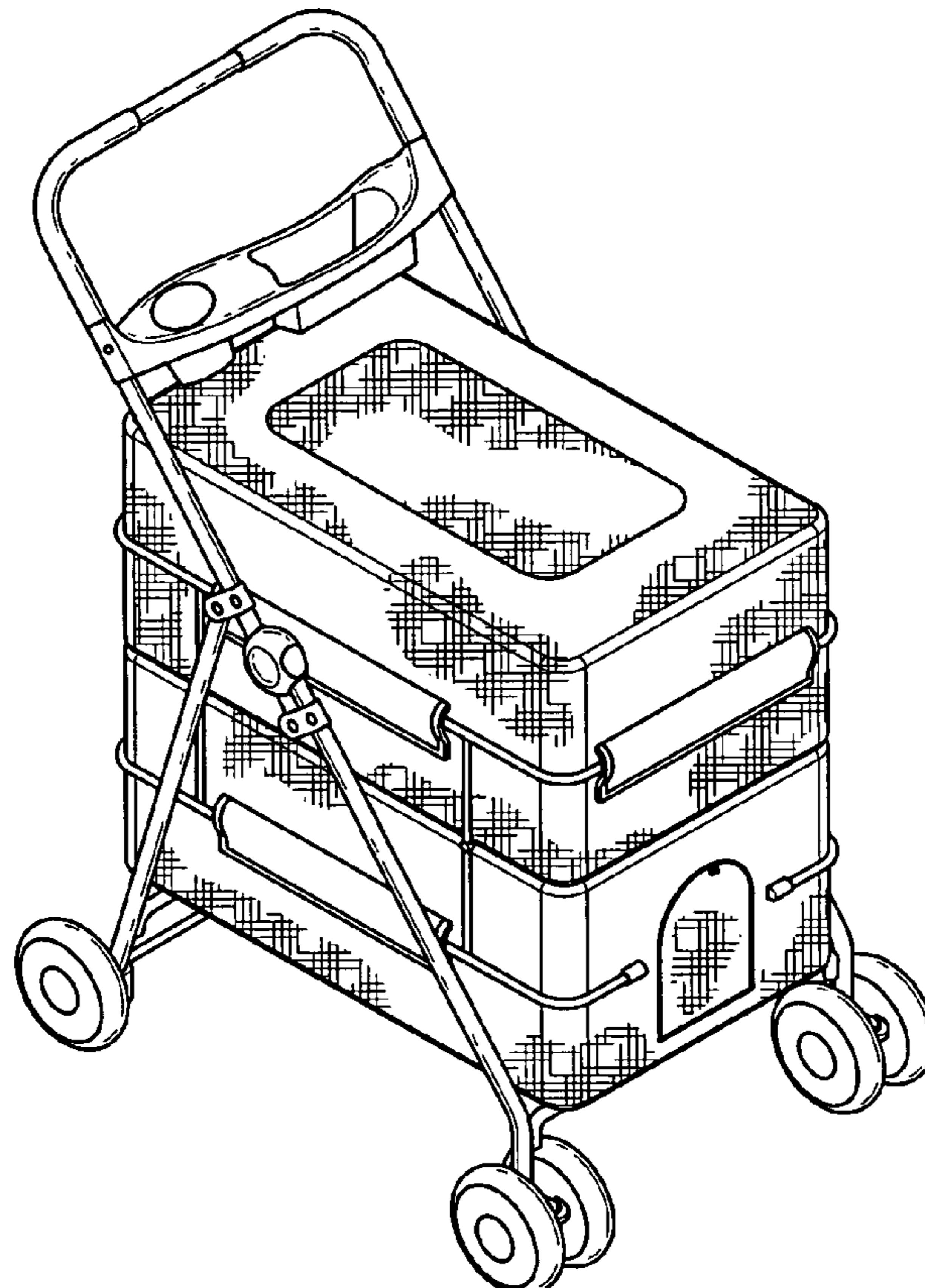
FIG. 4 is a front side elevational view thereof;

FIG. 5 is a bottom plan view thereof;

FIG. 6 is a left side elevational view thereof; and,

FIG. 7 is a rear side elevational view thereof.

1 Claim, 4 Drawing Sheets



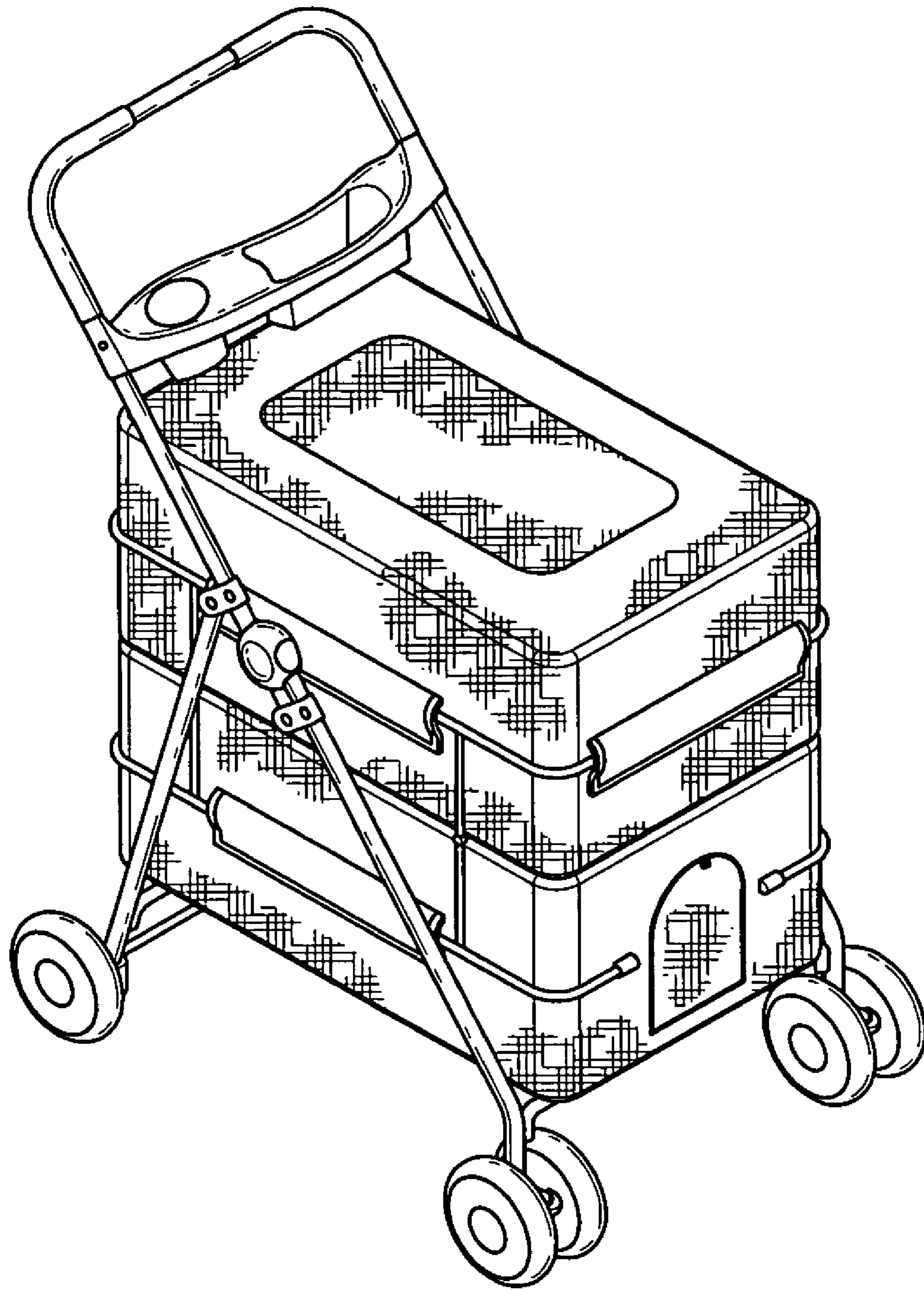


Fig. 1

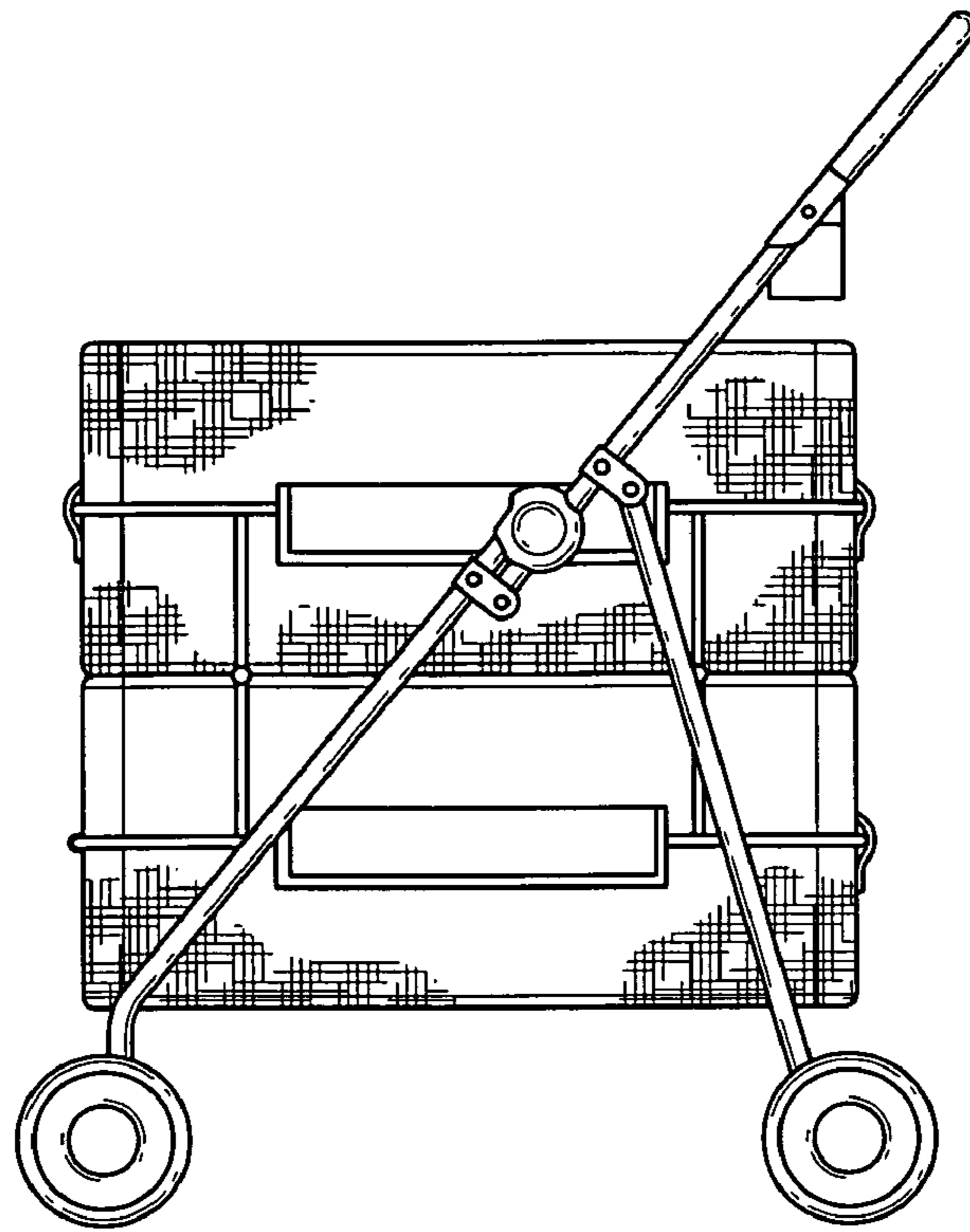


Fig. 2

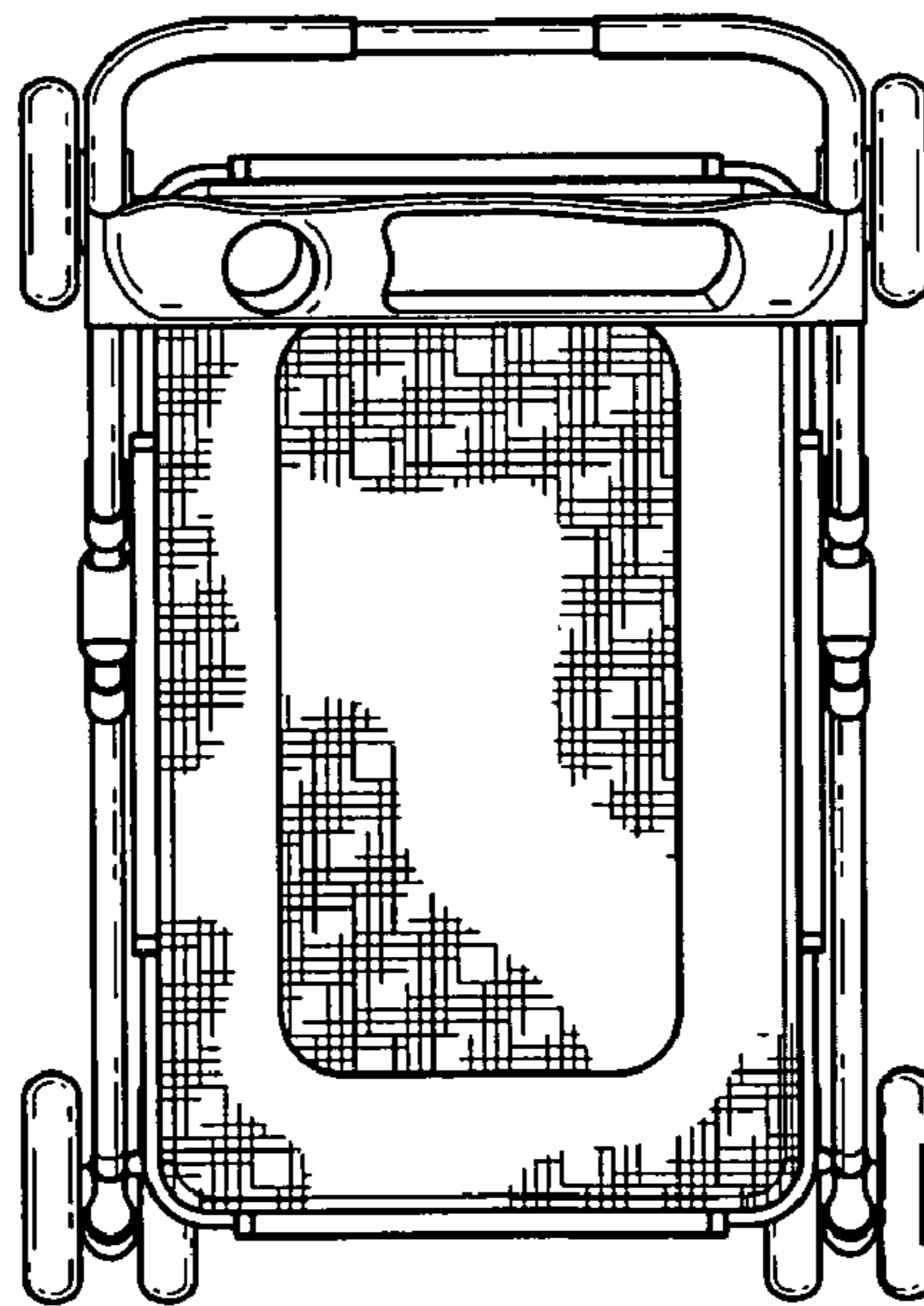


Fig. 3

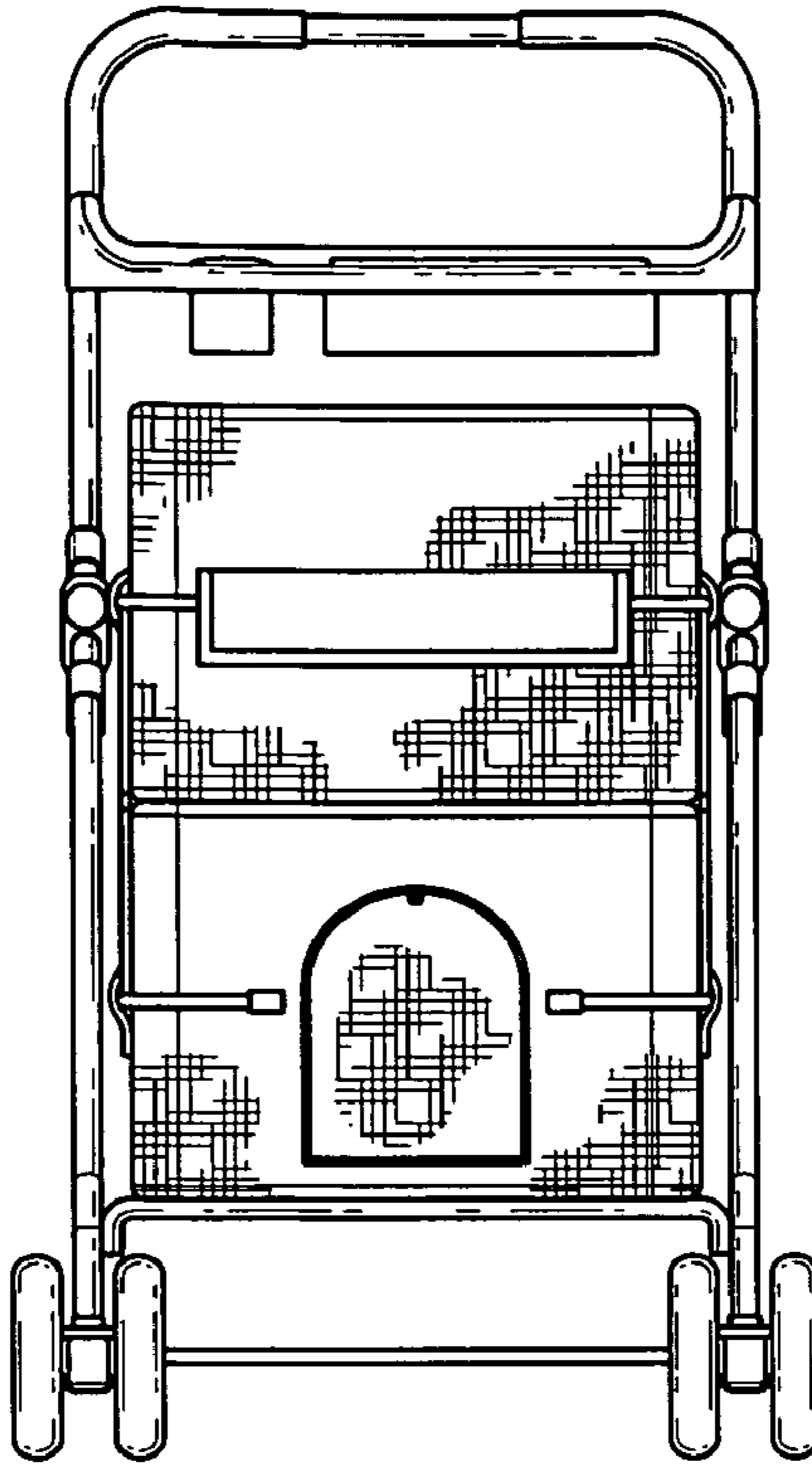


Fig. 4

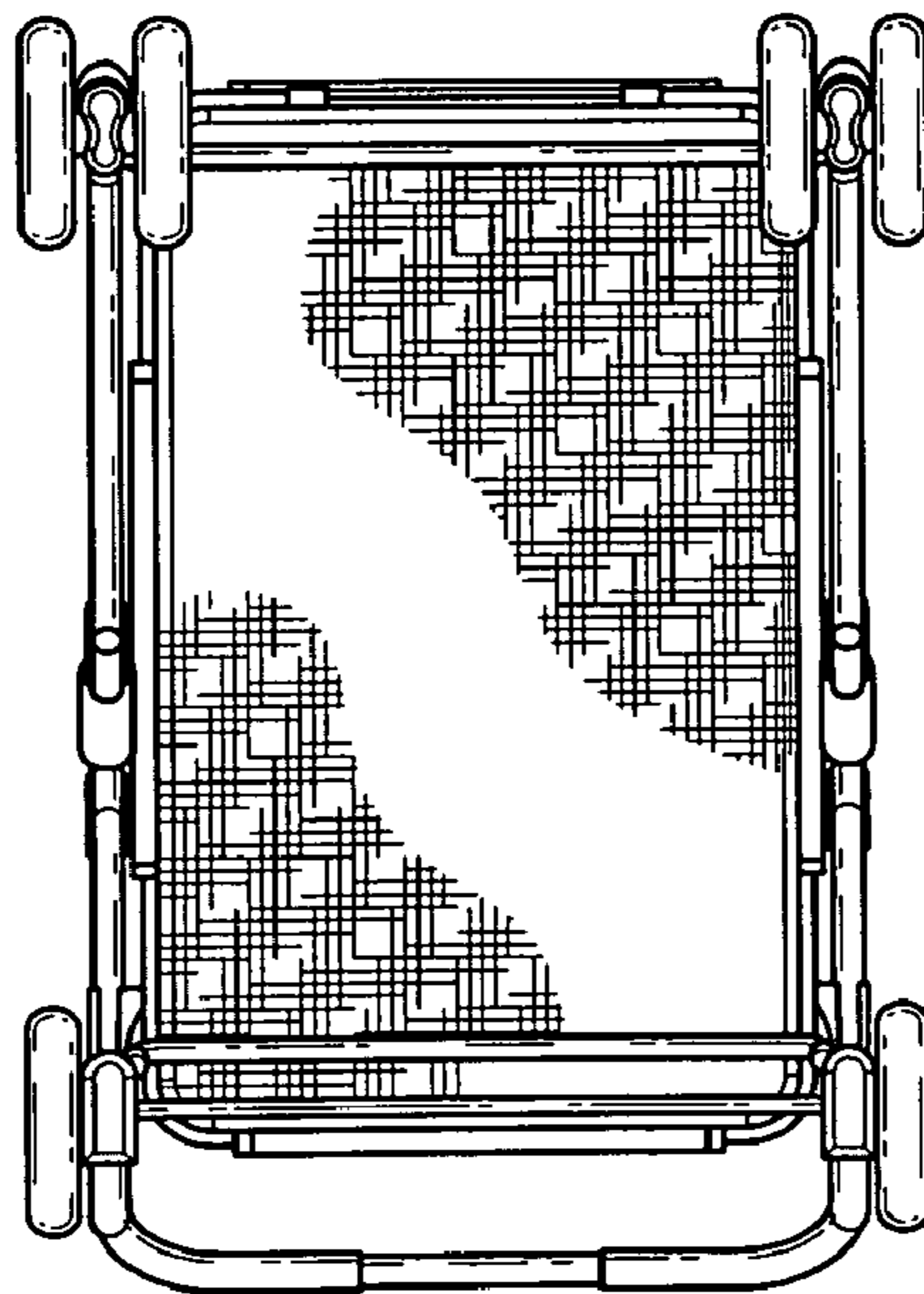


Fig. 5

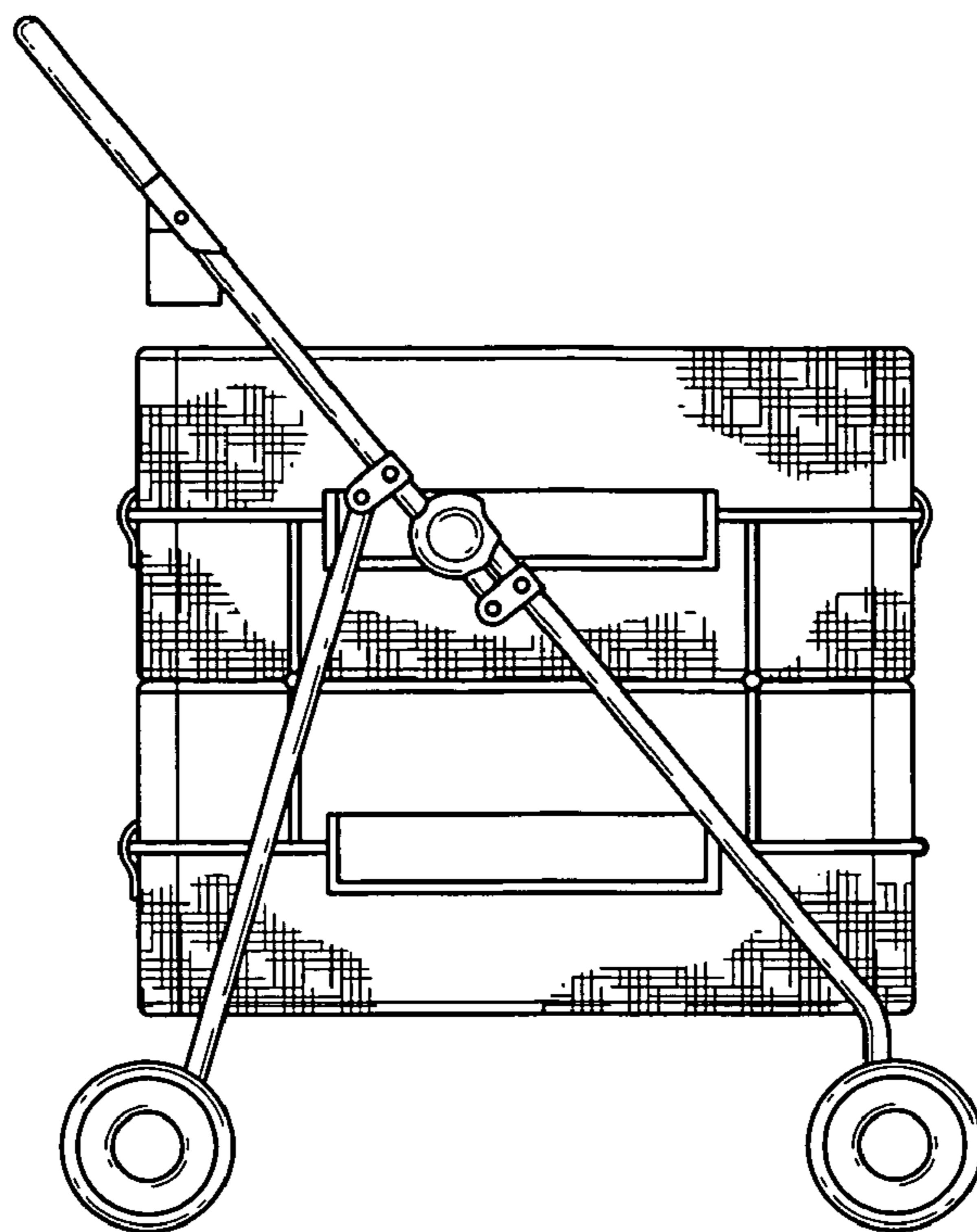


Fig. 6

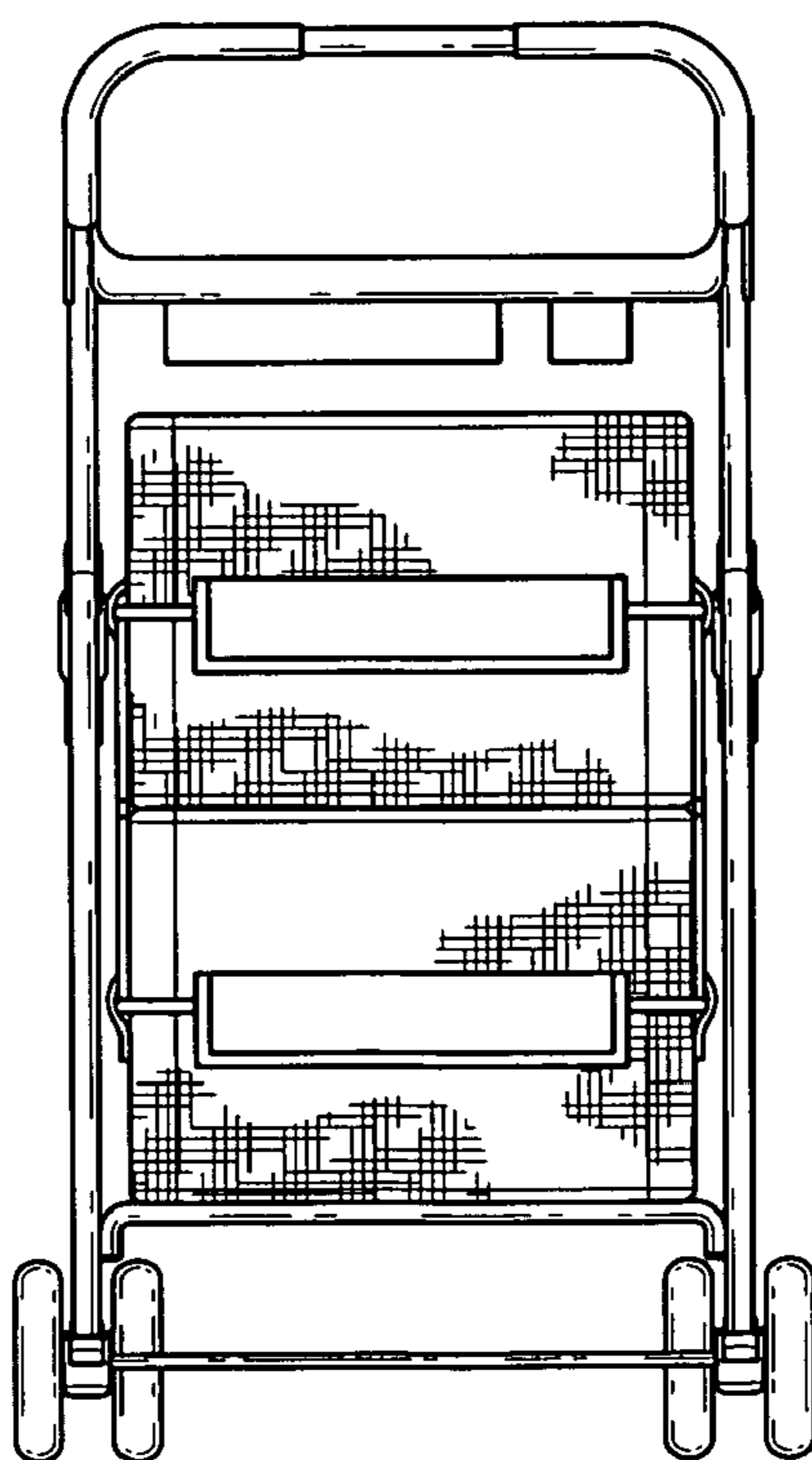


Fig. 7