



US00D608504S

(12) **United States Design Patent**  
**Baker**

(10) **Patent No.:** **US D608,504 S**  
(45) **Date of Patent:** **\*\* \*Jan. 19, 2010**

(54) **HELMET**

(76) Inventor: **Jonathan Baker**, 13 Sugar Run,  
Thornton, NH (US) 03223

(\*) Notice: This patent is subject to a terminal disclaimer.

(\*\*) Term: **14 Years**

(21) Appl. No.: **29/320,983**

(22) Filed: **Jul. 8, 2008**

**Related U.S. Application Data**

(63) Continuation of application No. 29/271,476, filed on Jan. 19, 2007, now Pat. No. Des. 572,865.

(51) **LOC (9) Cl.** ..... **09-03**

(52) **U.S. Cl.** ..... **D29/102**

(58) **Field of Classification Search** ..... D29/102-111,  
D29/122; 2/410-414, 416-425, 5, 6.6-6.8,  
2/9

See application file for complete search history.

(56) **References Cited**

**U.S. PATENT DOCUMENTS**

D300,275 S \* 3/1989 Sjogren et al. .... D29/104  
D449,135 S \* 10/2001 Martin et al. .... D29/102  
D452,942 S \* 1/2002 Ho ..... D29/102

D455,522 S \* 4/2002 Royes et al. .... D29/102  
D481,494 S \* 10/2003 Ho ..... D29/104  
D535,059 S \* 1/2007 Lam ..... D29/102  
D559,468 S \* 1/2008 Broeckl ..... D29/105

\* cited by examiner

*Primary Examiner*—Ruth McInroy

(74) *Attorney, Agent, or Firm*—Thomas E. Loop

(57) **CLAIM**

I claim the ornamental design for a helmet, as shown and described.

**DESCRIPTION**

FIG. 1 is a front perspective view of a helmet showing my new design;

FIG. 2 is a rear perspective view of thereof;

FIG. 3 is a front view thereof;

FIG. 4 is a right side view thereof, the left side being a mirror image;

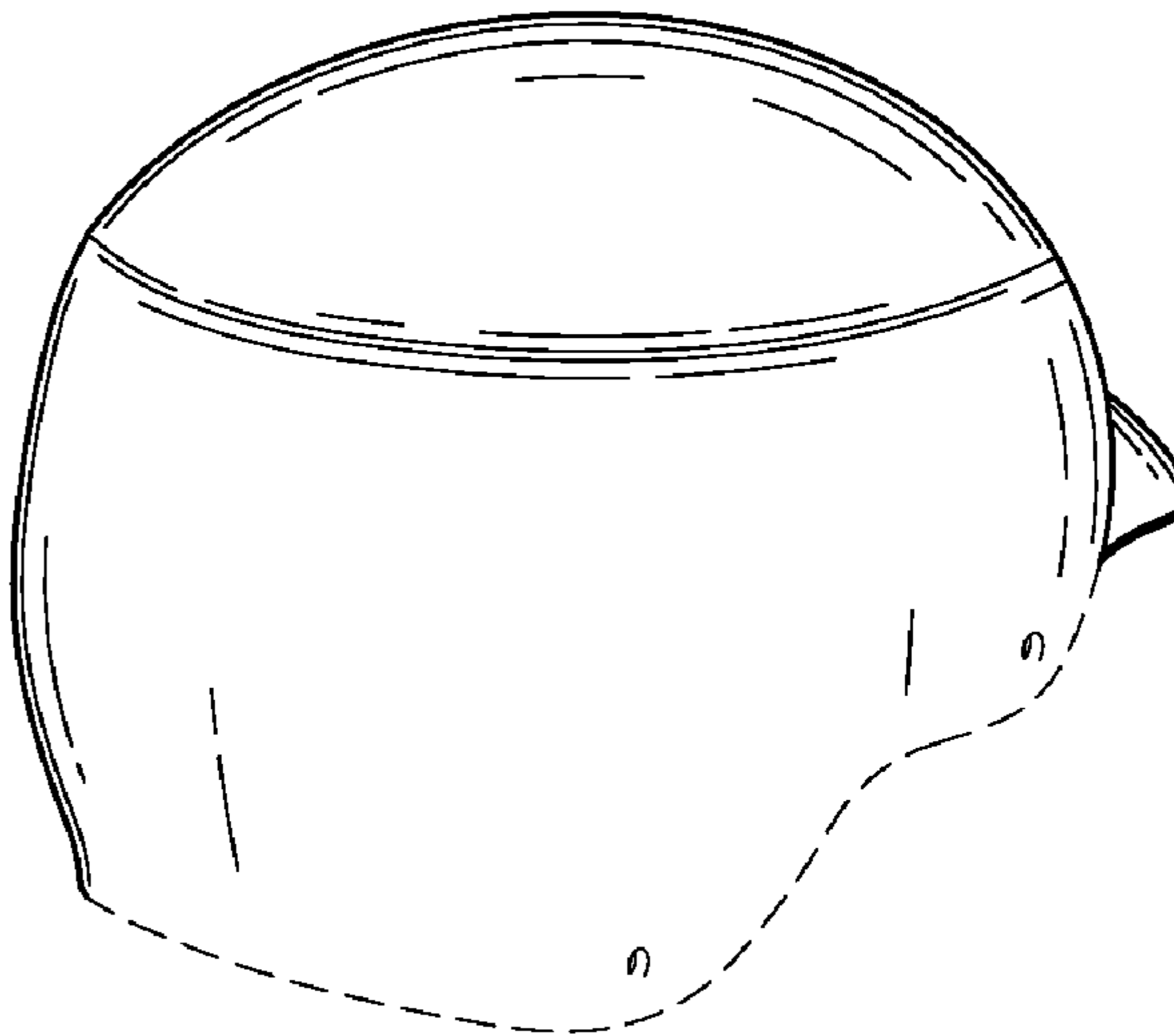
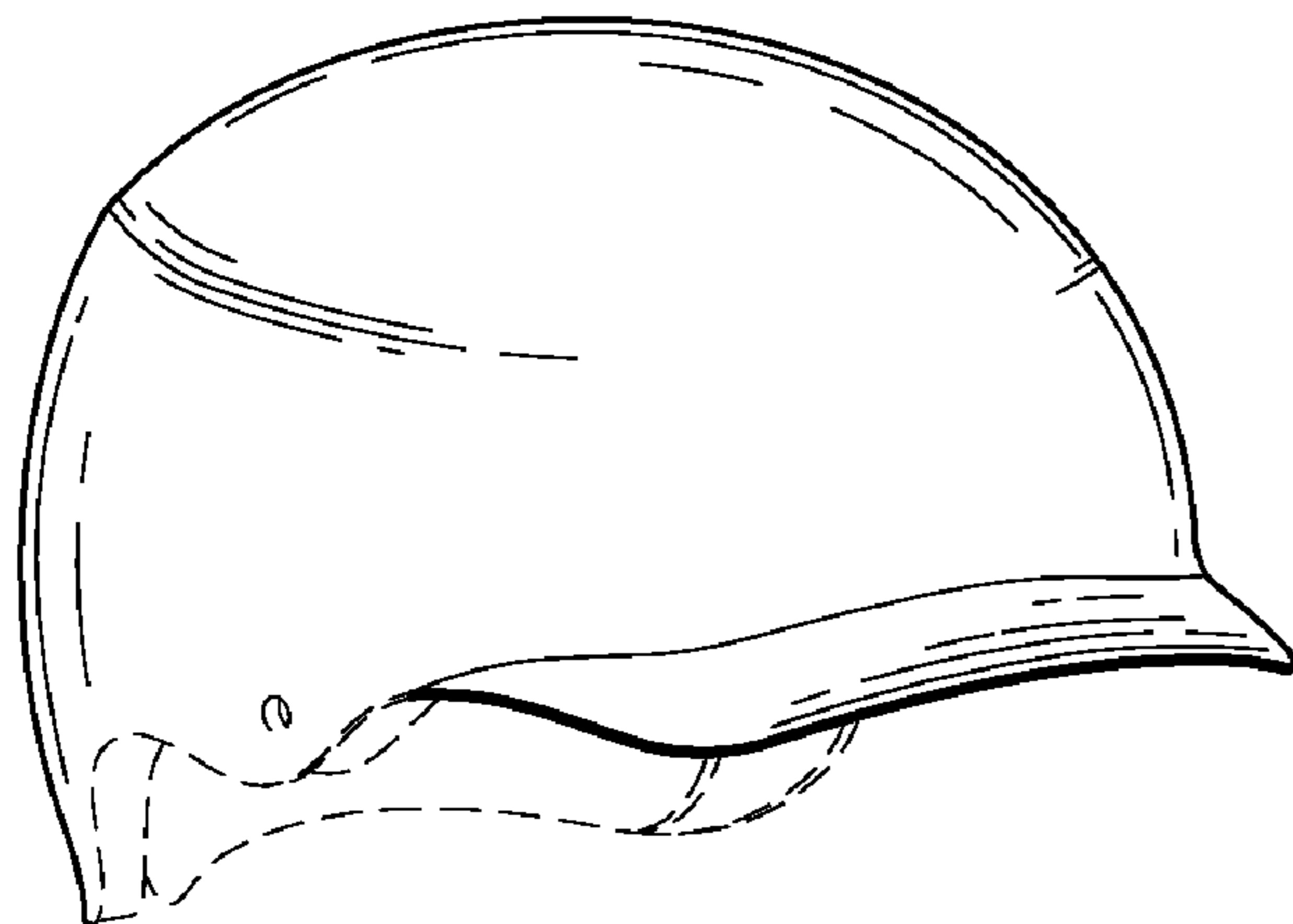
FIG. 5 is a top view thereof;

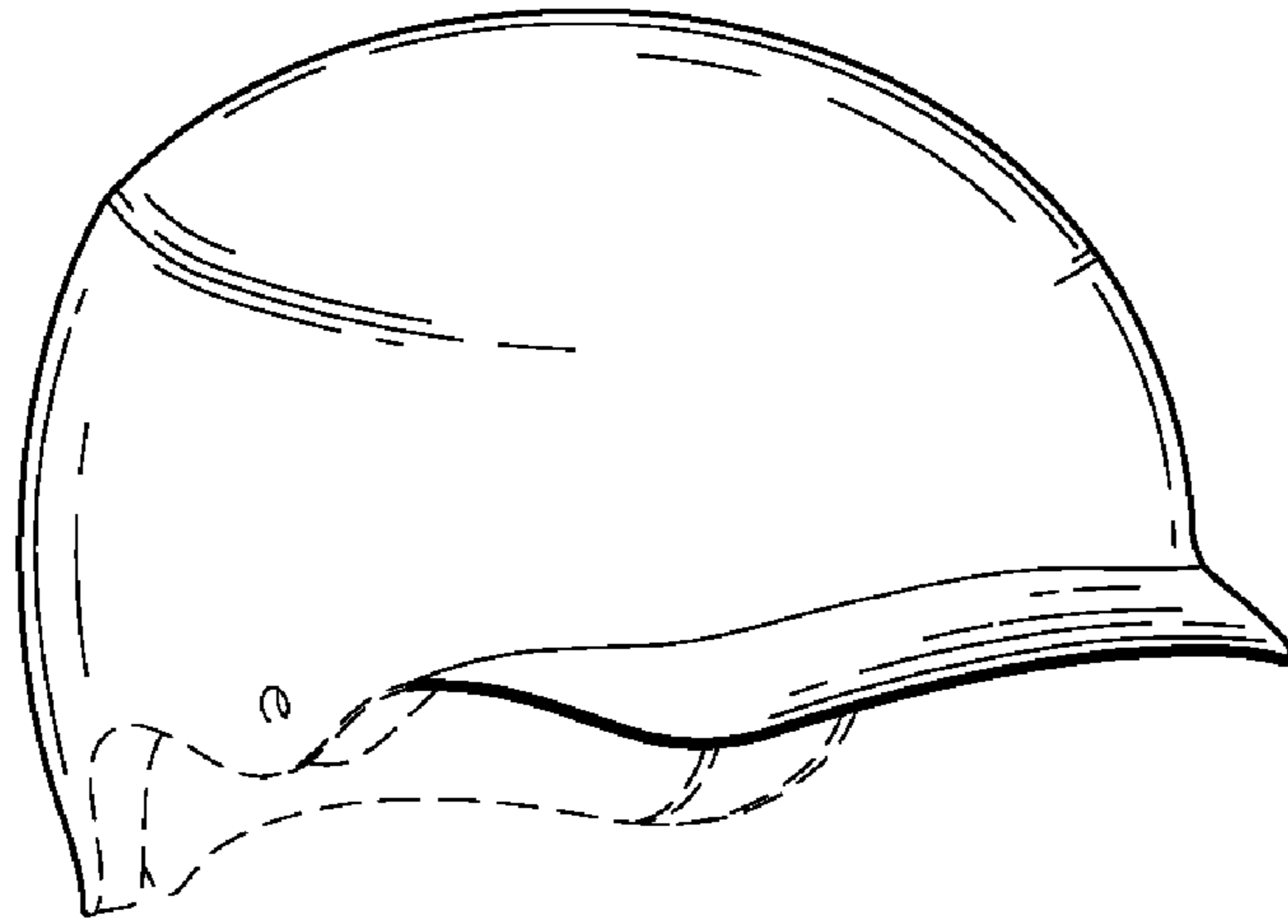
FIG. 6 is a bottom view thereof; and,

FIG. 7 is a bottom plan view thereof.

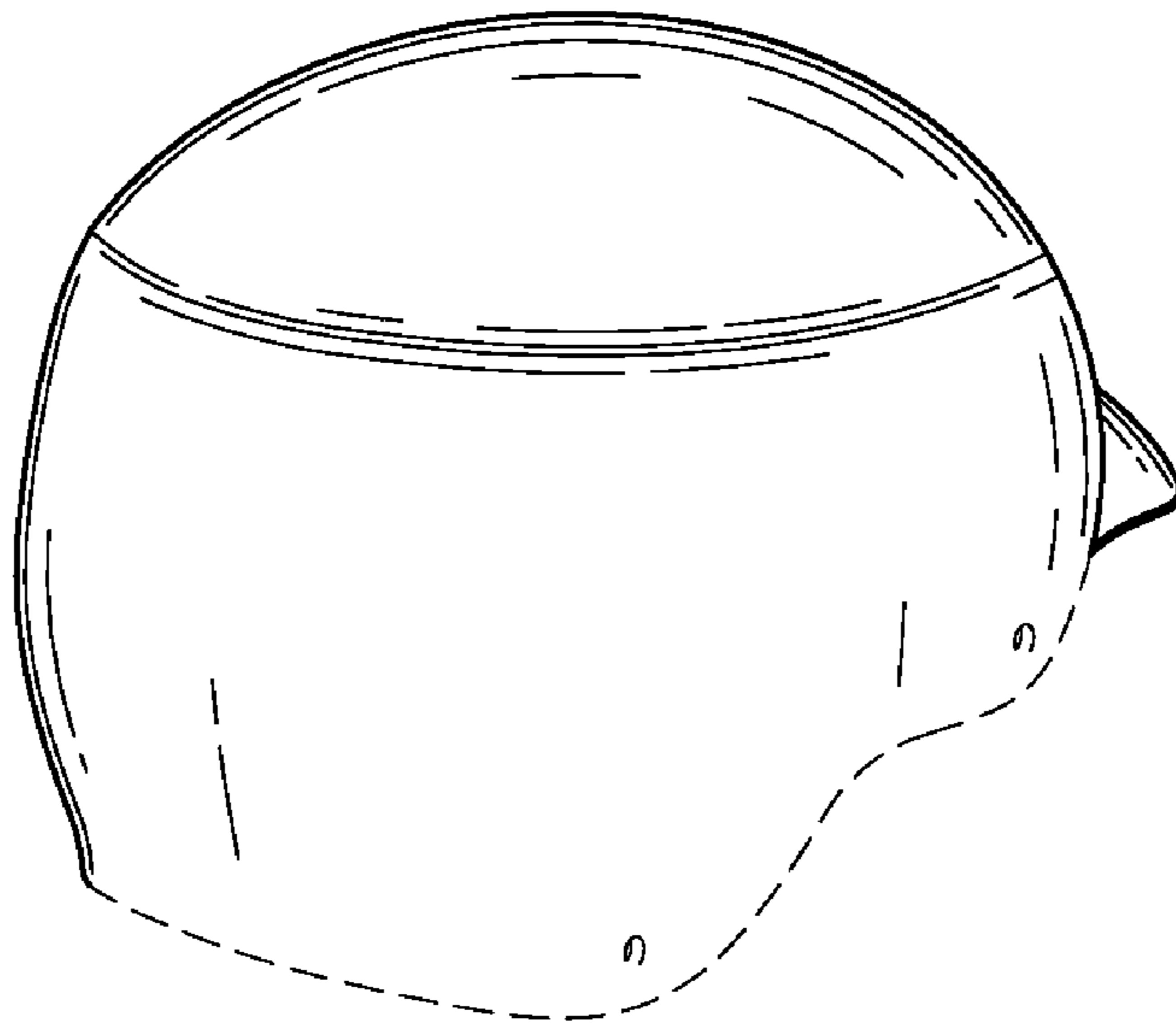
The details shown in broken lines form no part of the claimed design.

**1 Claim, 2 Drawing Sheets**

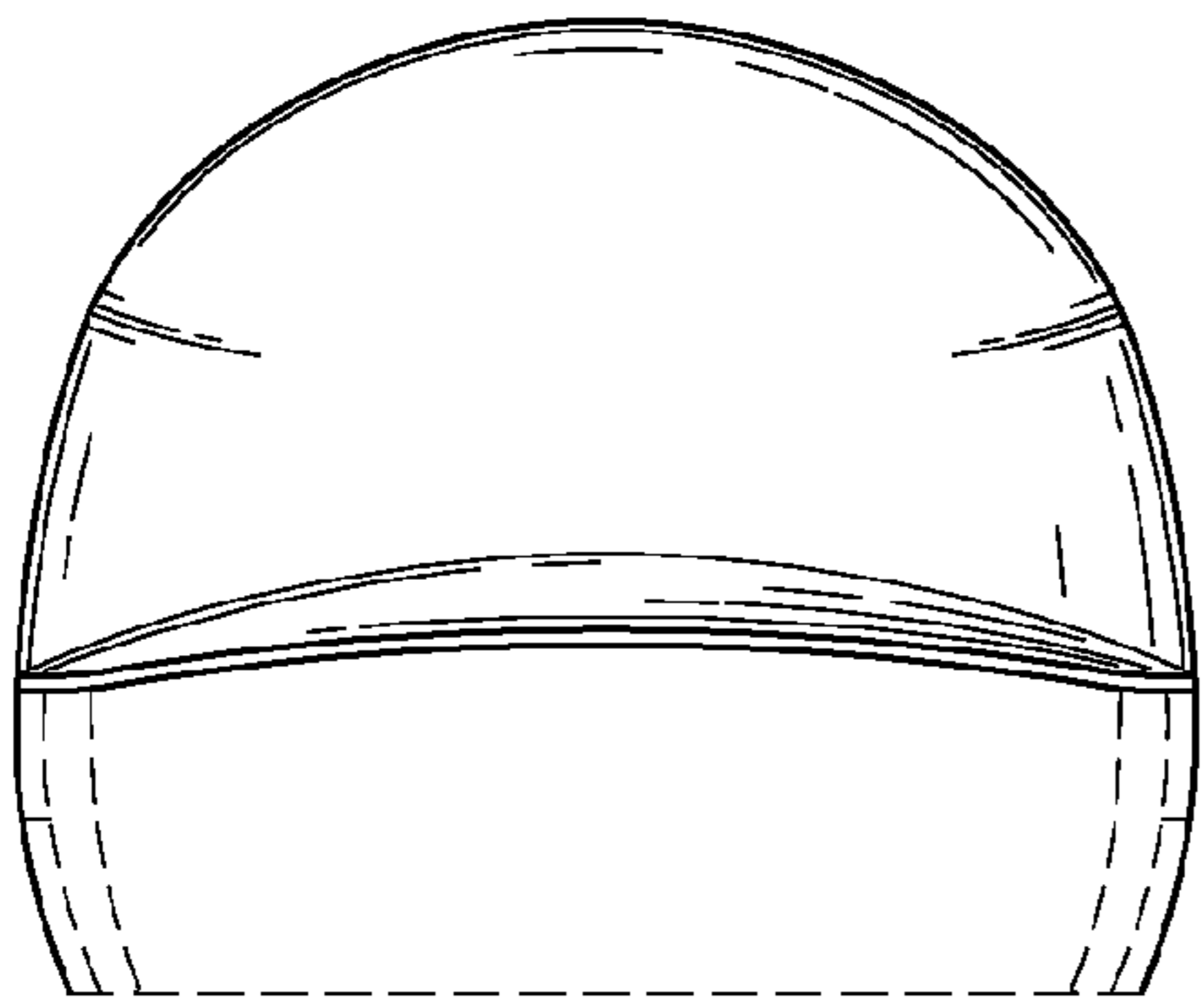




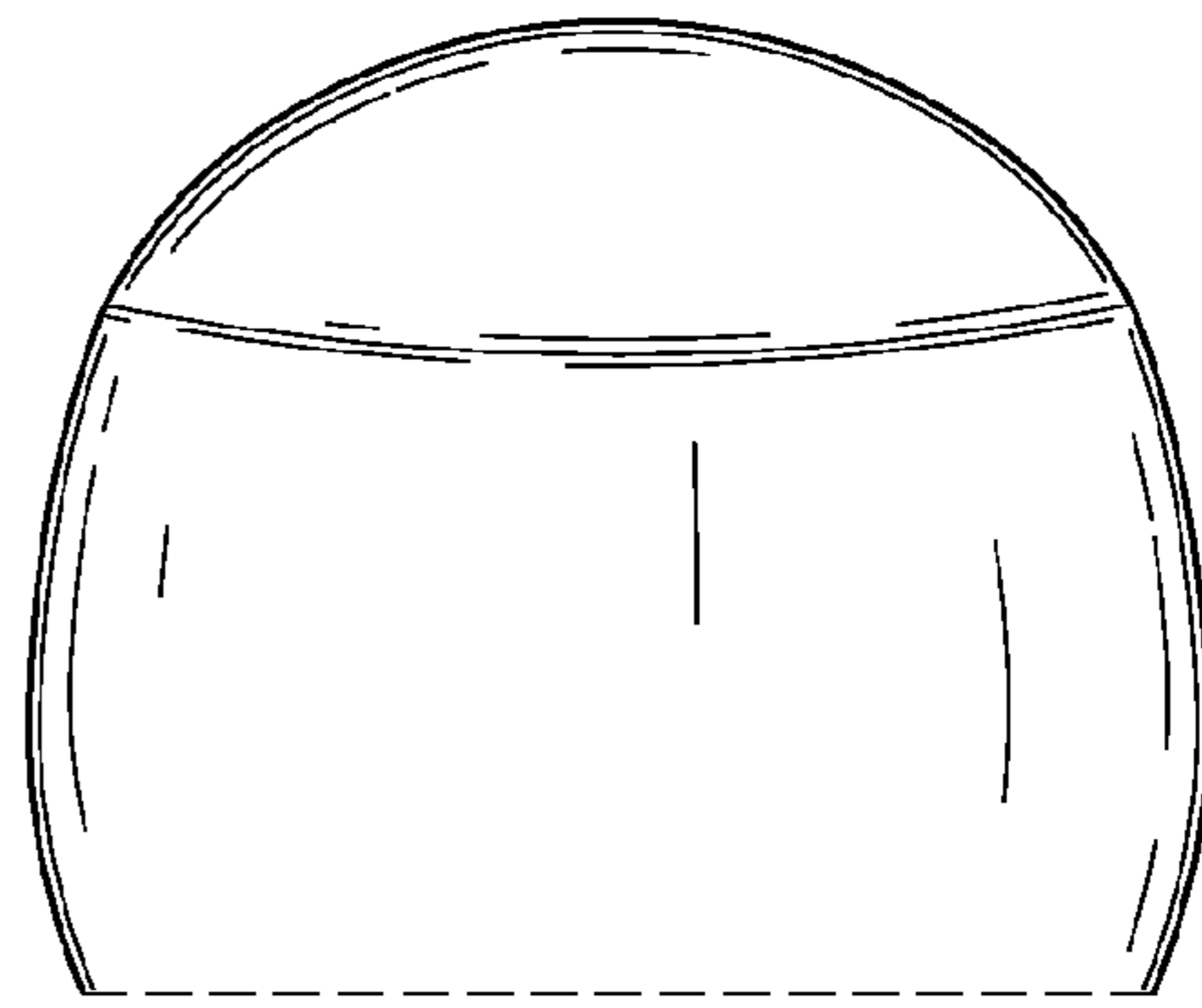
*Fig. 1*



*Fig. 2*



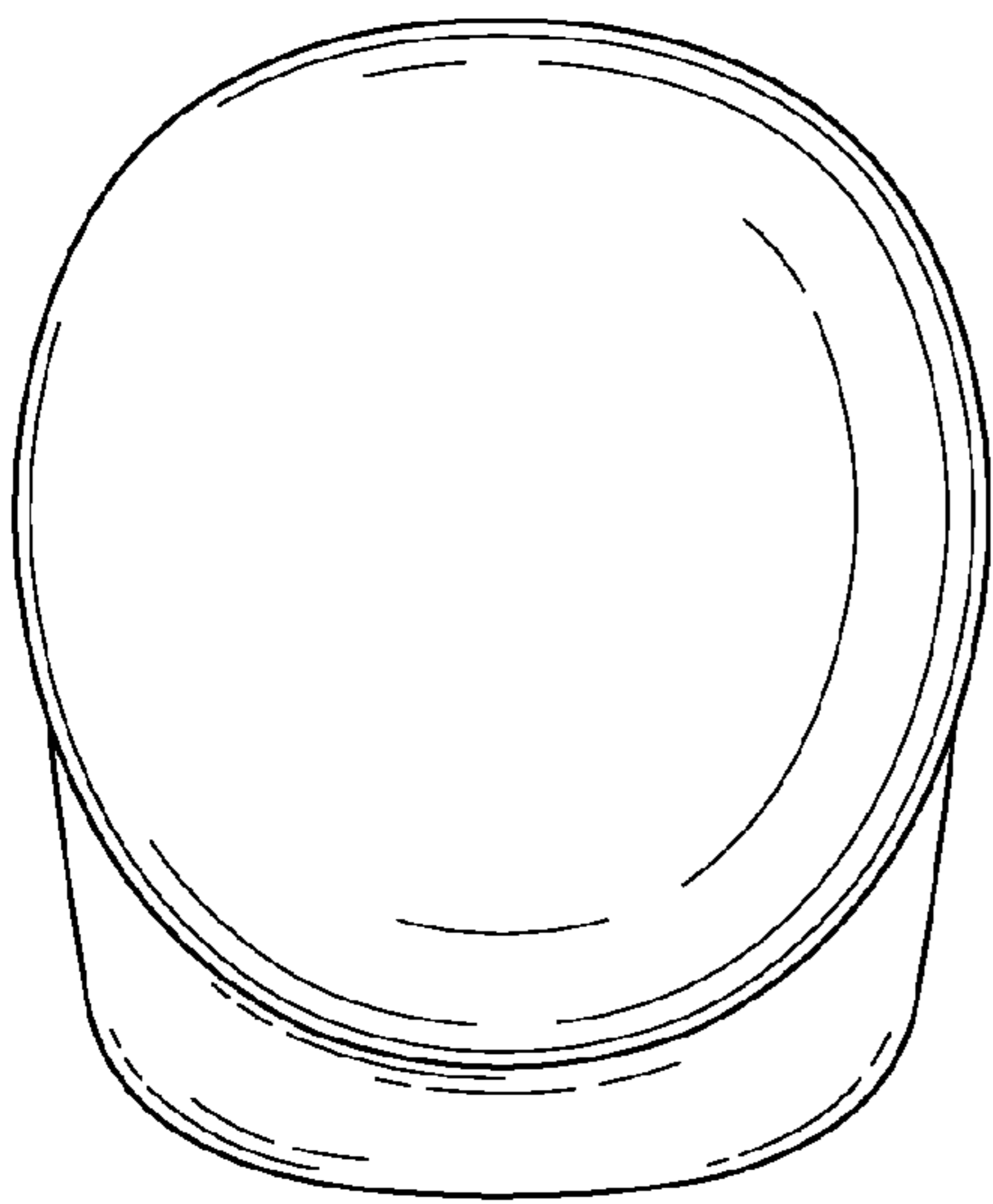
*Fig. 3*



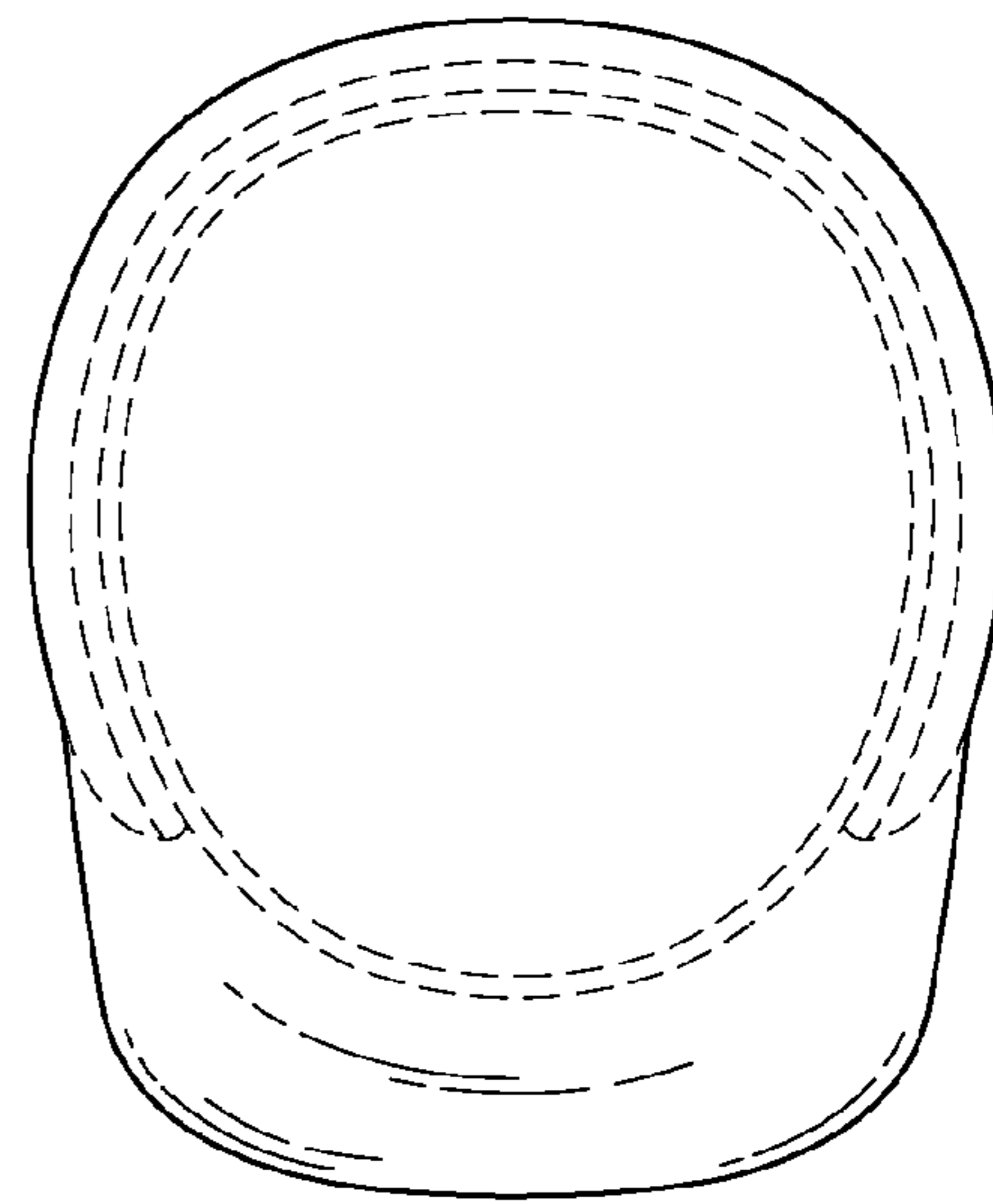
*Fig. 4*



*Fig. 5*



*Fig. 6*



*Fig. 7*