



US00D608501S

(12) **United States Design Patent**
Wain

(10) **Patent No.:** **US D608,501 S**
(45) **Date of Patent:** **** Jan. 19, 2010**

(54) **RAZOR CARTRIDGE CAP**

7,200,942 B2 * 4/2007 Richard 30/526

(75) Inventor: **Kevin James Wain**, Reading (GB)

FOREIGN PATENT DOCUMENTS

(73) Assignee: **The Gillette Company**, Boston, MA
(US)

EP 0 658 134 B1 11/1997

(**) Term: **14 Years**

* cited by examiner

(21) Appl. No.: **29/328,976**

Primary Examiner—Jennifer Rivard
(74) *Attorney, Agent, or Firm*—John M. Lipchitz; Kevin C. Johnson; Steven W. Miller

(22) Filed: **Dec. 5, 2008**

(57) **CLAIM**

(51) **LOC (9) Cl.** **28-03**

The ornamental design for a razor cartridge cap, as shown and described.

(52) **U.S. Cl.** **D28/47**

(58) **Field of Classification Search** 30/32,
30/34.05, 34.1, 34.2, 41–41.8, 44–45, 47–51,
30/53–58, 526–533, 537, 77–83, 538; D28/44.1–48
See application file for complete search history.

DESCRIPTION

(56) **References Cited**

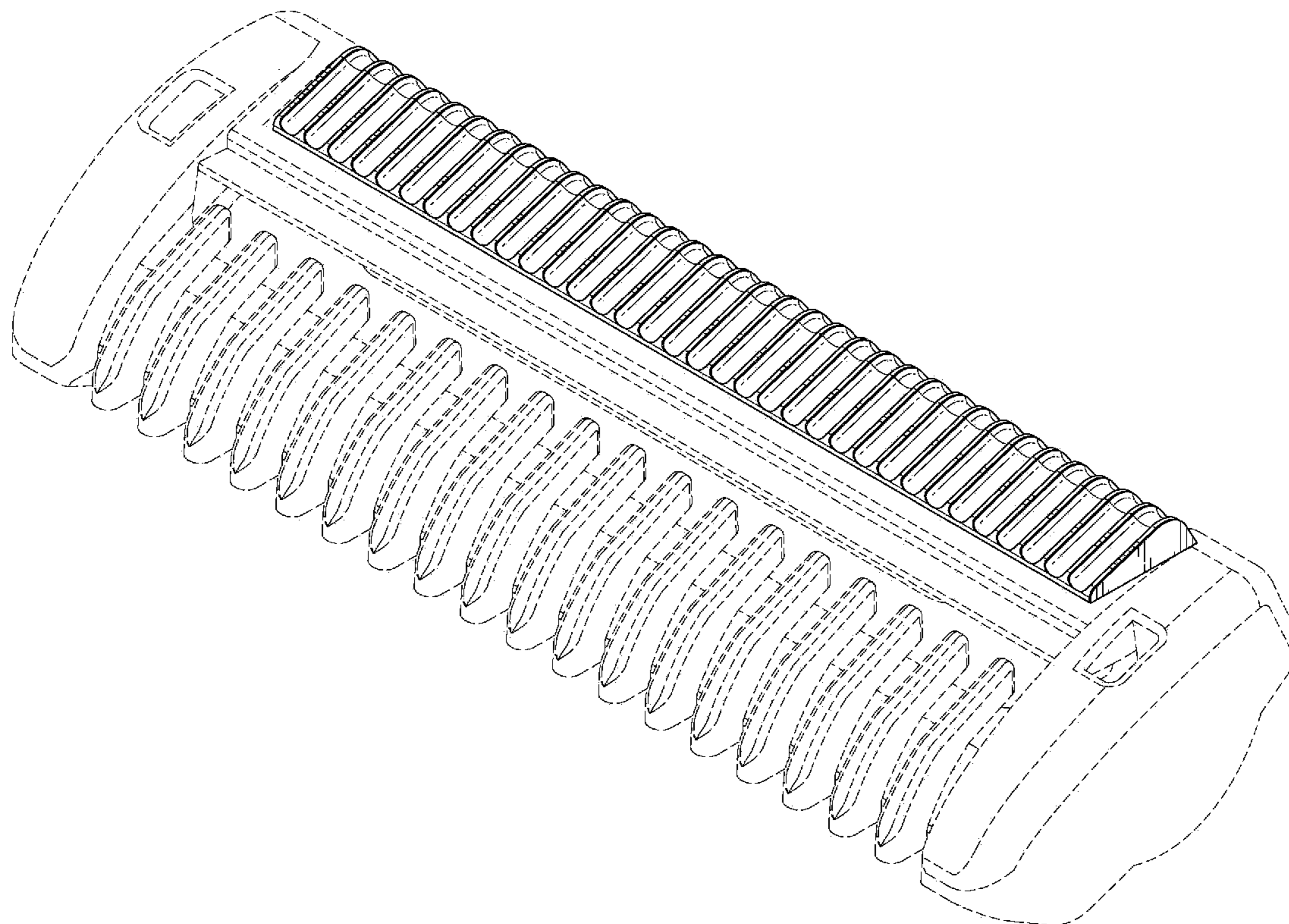
FIG. 1 is a perspective view as seen from the top, front and right side of a razor cartridge cap of the present invention; FIG. 2 is a front elevational view thereof; FIG. 3 is a rear elevational view thereof; FIG. 4 is a left side elevational view thereof; FIG. 5 is a right side elevational view thereof; FIG. 6 is a top plan view thereof; and, FIG. 7 is a bottom plan view thereof.

U.S. PATENT DOCUMENTS

D314,249 S	1/1991	Bowman	
5,410,810 A *	5/1995	Gillibrand	30/41
5,412,872 A *	5/1995	Iderosa	30/50
5,416,973 A	5/1995	Brown et al.	
D377,237 S *	1/1997	Brown et al.	D28/47
D424,744 S *	5/2000	Coffin et al.	D28/47
D424,745 S *	5/2000	Tseng et al.	D28/47
D456,563 S *	4/2002	Kwiecien et al.	D28/47
D524,483 S *	7/2006	Bunnell et al.	D28/47

The broken lines are shown for illustrative purposes only and form no part of the claimed design.

1 Claim, 4 Drawing Sheets



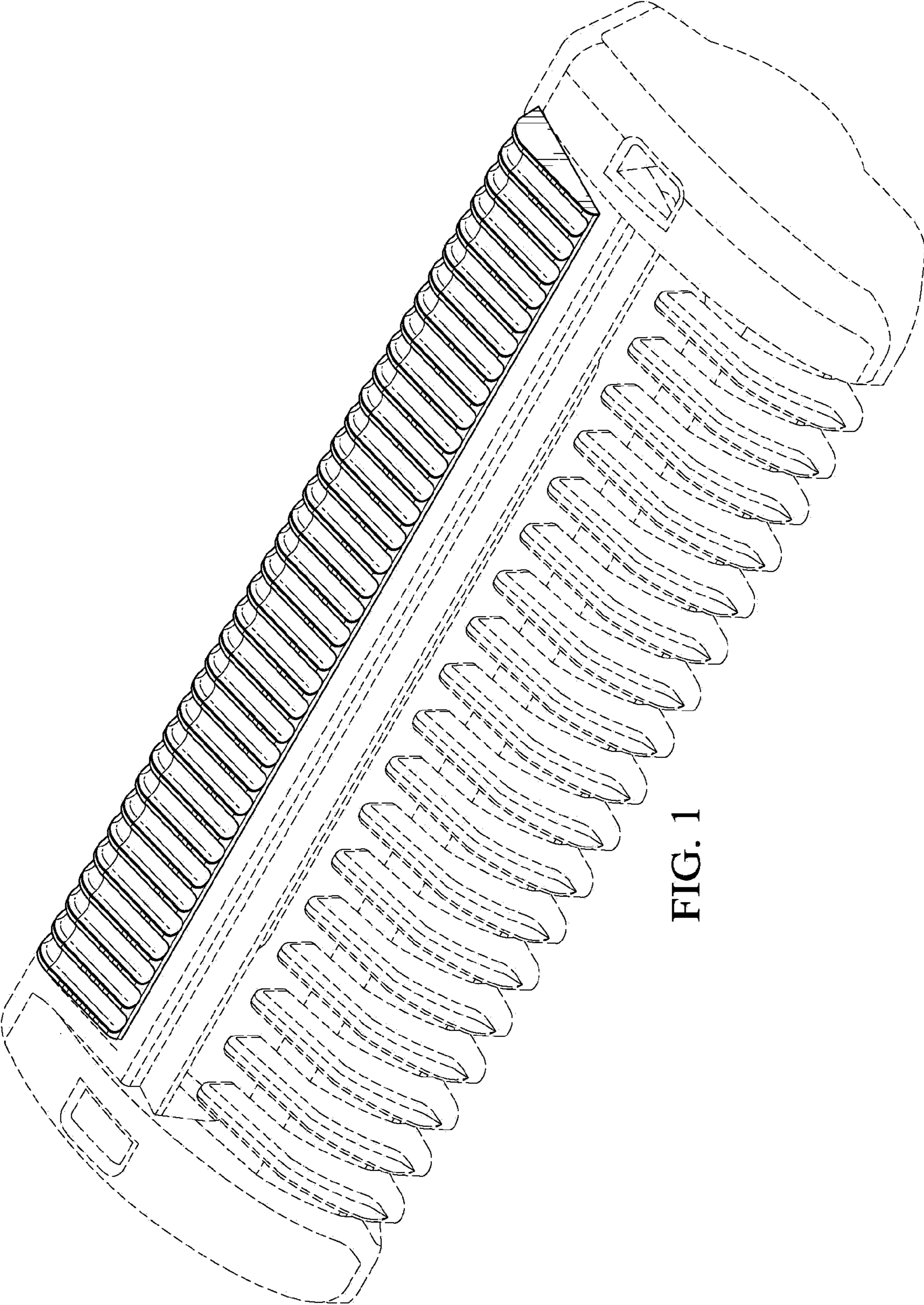


FIG. 1

FIG. 2

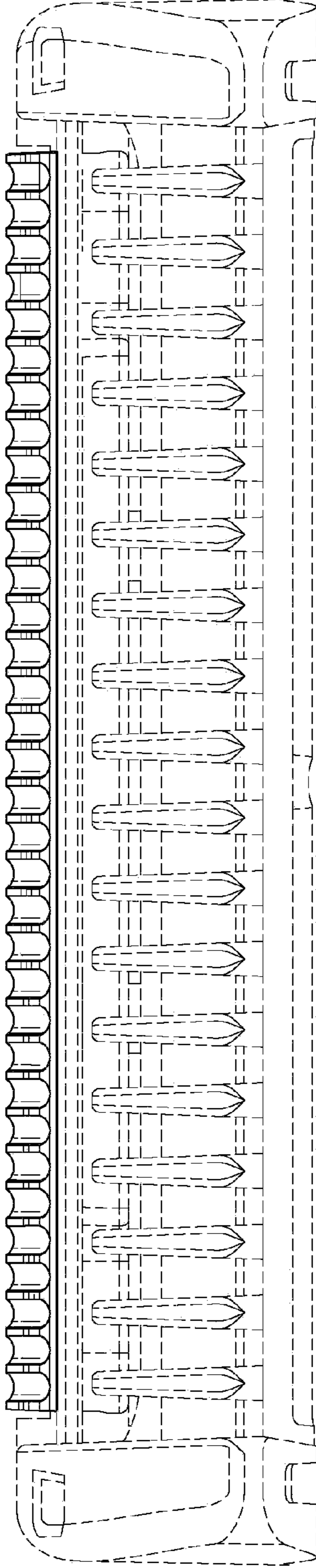
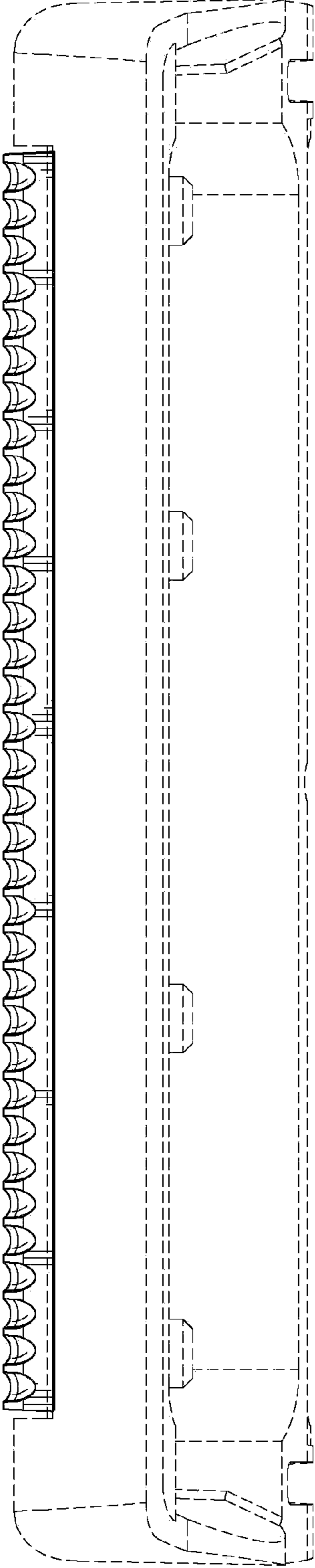


FIG. 3



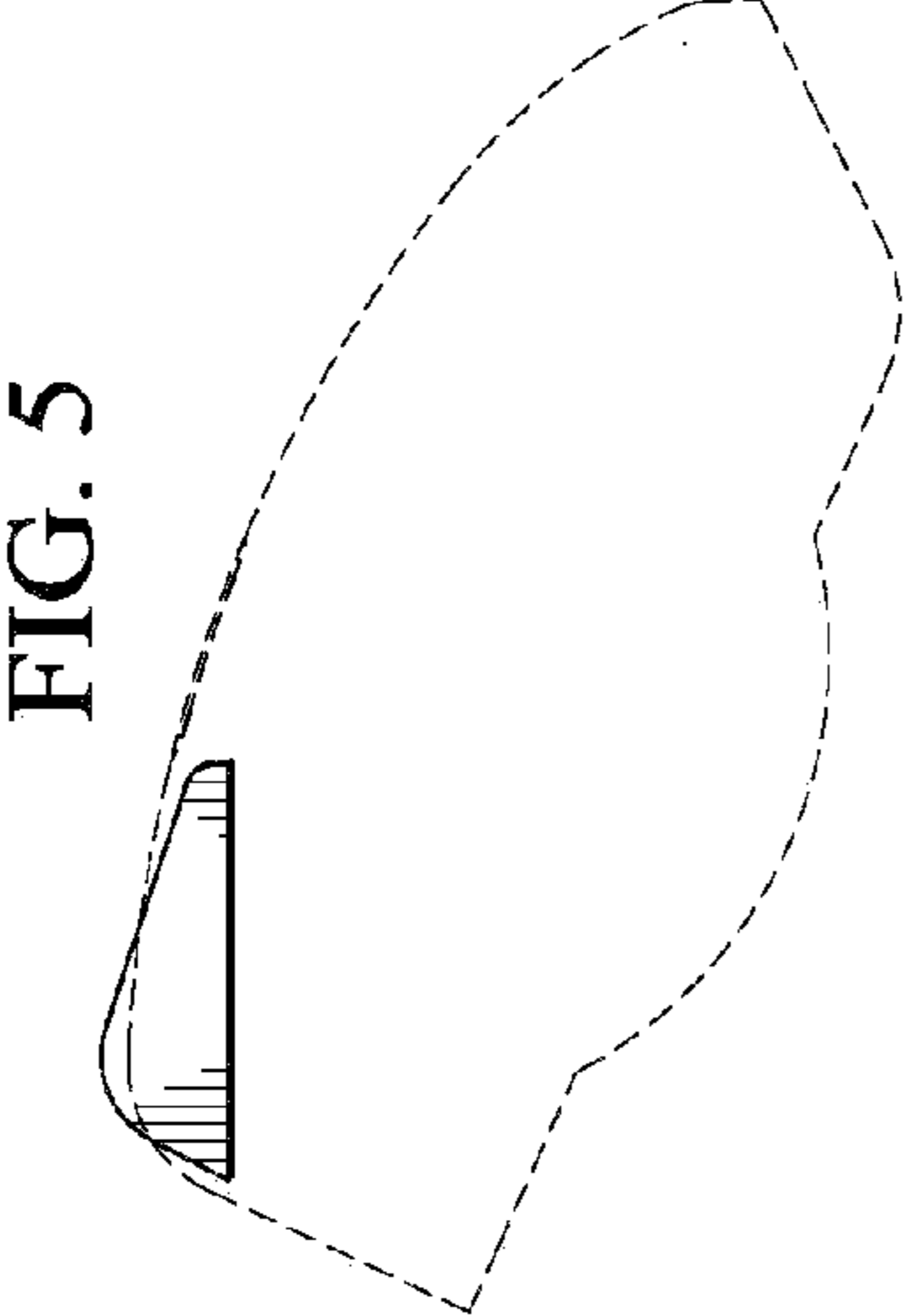


FIG. 4

FIG. 5

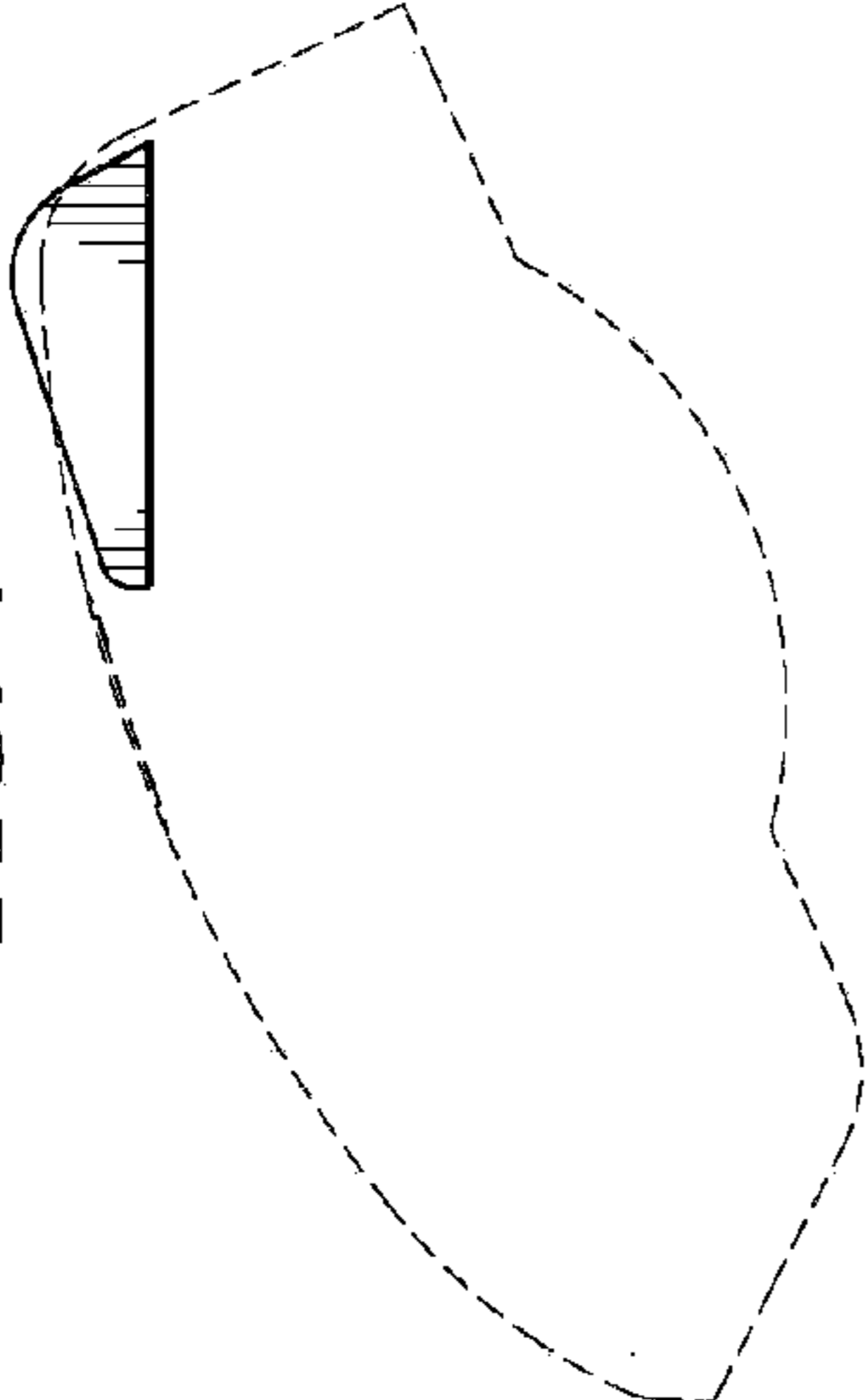


FIG. 6

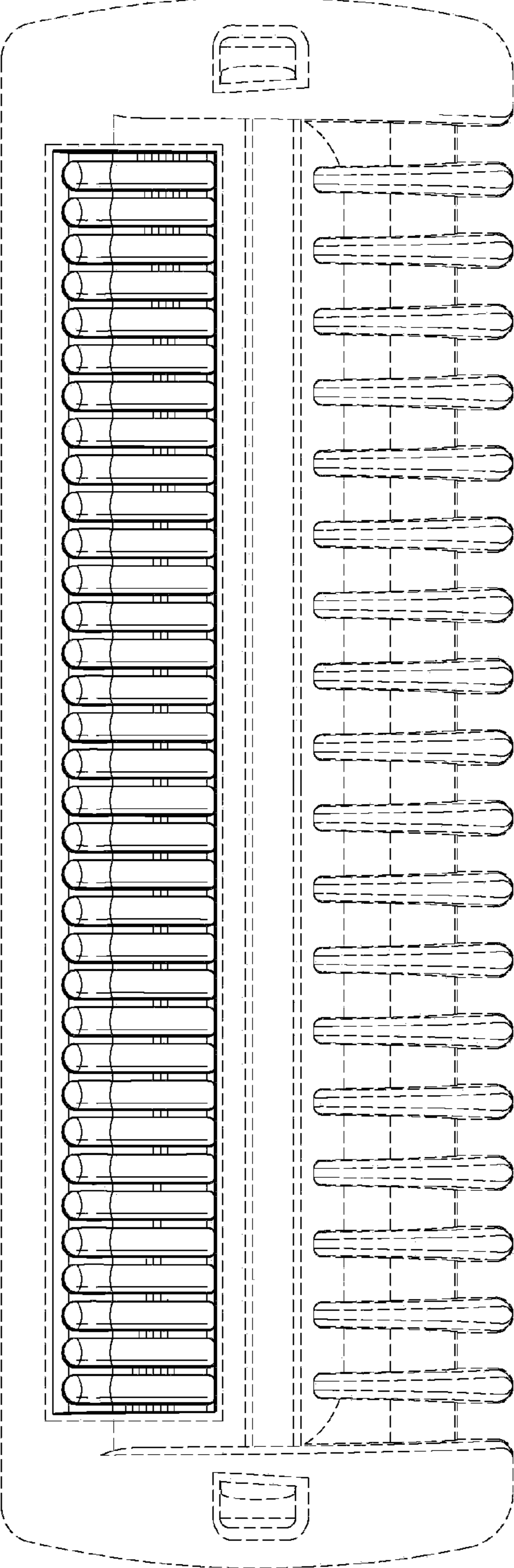


FIG. 7

