



US00D608496S

(12) **United States Design Patent**
Hodgson

(10) **Patent No.:** **US D608,496 S**
(45) **Date of Patent:** **** Jan. 19, 2010**

(54) **LAMP STAND**

(75) Inventor: **Fraser Milbourne Hodgson**, London
(GB)

(73) Assignee: **The Daylight Company (Holdings)**
Limited (GB)

(**) Term: **14 Years**

(21) Appl. No.: **29/322,569**

(22) Filed: **Aug. 7, 2008**

(30) **Foreign Application Priority Data**

Aug. 2, 2008 (EM) 000878160

(51) **LOC (9) Cl.** **26-99**

(52) **U.S. Cl.** **D26/138**

(58) **Field of Classification Search** D6/366,
D6/498, 495; 135/16; D34/5, 17, 27; D24/128;
362/410, 416, 801, 804, 319, 344, 345, 376,
362/396, 102, 145, 147, 219, 647; D26/145,
D26/150, 120, 128, 129, 138, 140, 141, 142,
D26/151, 154, 108, 109, 110, 111, 112, 133,
D26/118, 119, 155, 92, 93, 102, 103, 104,
D26/106, 107, 42, 24, 60, 61, 62, 63, 64,
D26/65, 66, 67, 68, 71, 72, 75, 76, 80, 81,
D26/83, 85, 86, 87, 88, 89, 90

See application file for complete search history.

(56) **References Cited**

U.S. PATENT DOCUMENTS

D86,663 S * 4/1932 Bunzl D24/210

D170,925 S * 11/1953 Kaveckas D24/210
D281,453 S * 11/1985 DiGianfilippo et al. D24/128
D325,440 S * 4/1992 Landis et al. D24/185
D355,534 S * 2/1995 Saotome D6/366
D369,928 S * 5/1996 Larkin D6/498
D461,345 S * 8/2002 Holbrook et al. D6/498
D539,956 S * 4/2007 Rose et al. D26/61
7,438,719 B2 * 10/2008 Chung et al. 607/88

* cited by examiner

Primary Examiner—Cathron C Brooks

Assistant Examiner—Kevin K Rudzinski

(74) *Attorney, Agent, or Firm*—Lawrence E. Laubscher, Jr.

(57) **CLAIM**

The ornamental design for a lamp stand, as shown and described.

DESCRIPTION

FIG. 1 is a front perspective view of the invention illustrating my design;

FIG. 2 is a front elevation view thereof;

FIG. 3 is a rear elevation view thereof;

FIG. 4 is a left side elevation view thereof;

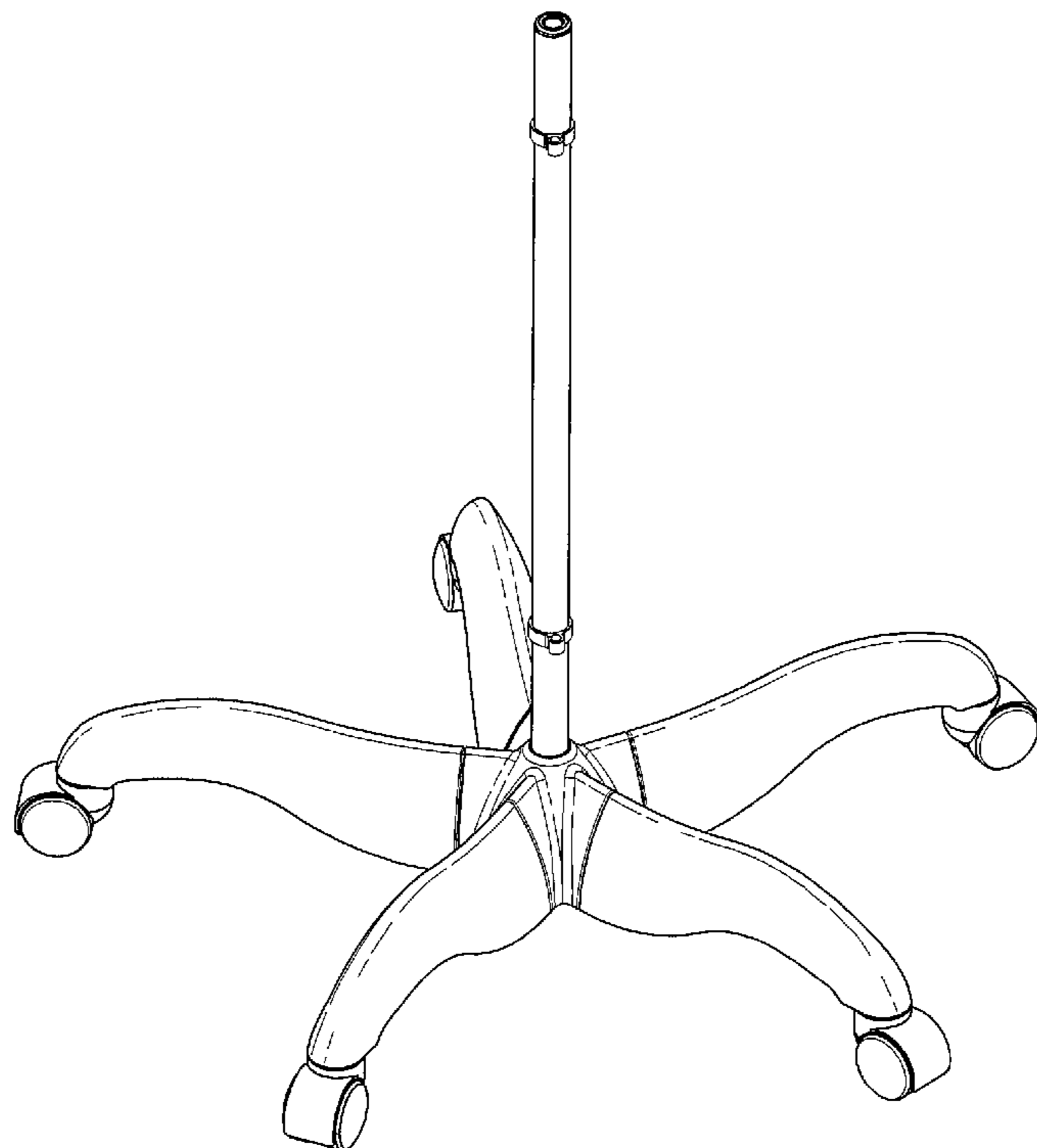
FIG. 5 is a right side elevation view thereof;

FIG. 6 is a top elevation view thereof; and,

FIG. 7 is a bottom elevation view thereof.

The broken lines shown are included for the purpose of illustrating unclaimed portions of the lamp stand, and form no part of the claimed design.

1 Claim, 7 Drawing Sheets



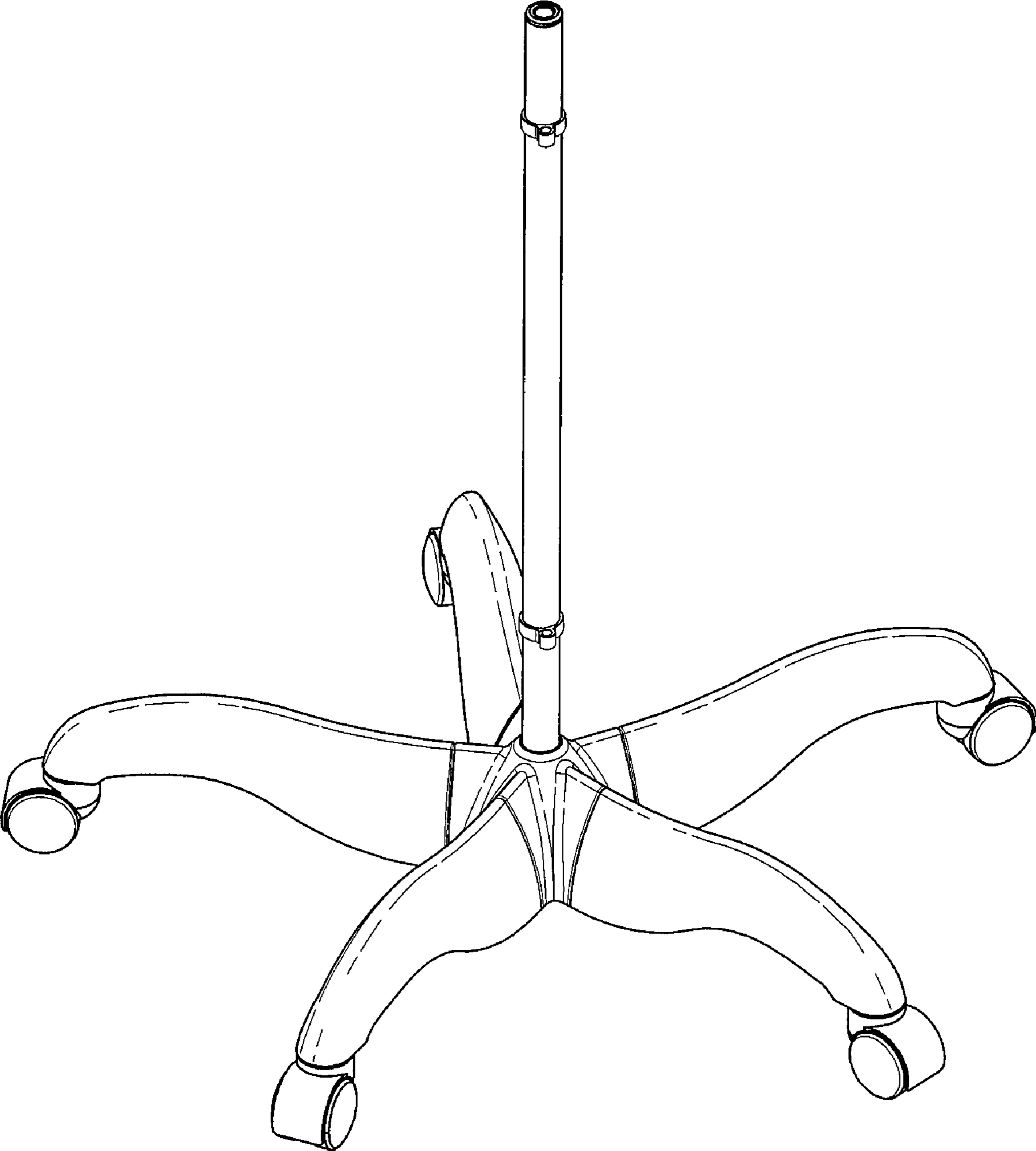


FIG. 1

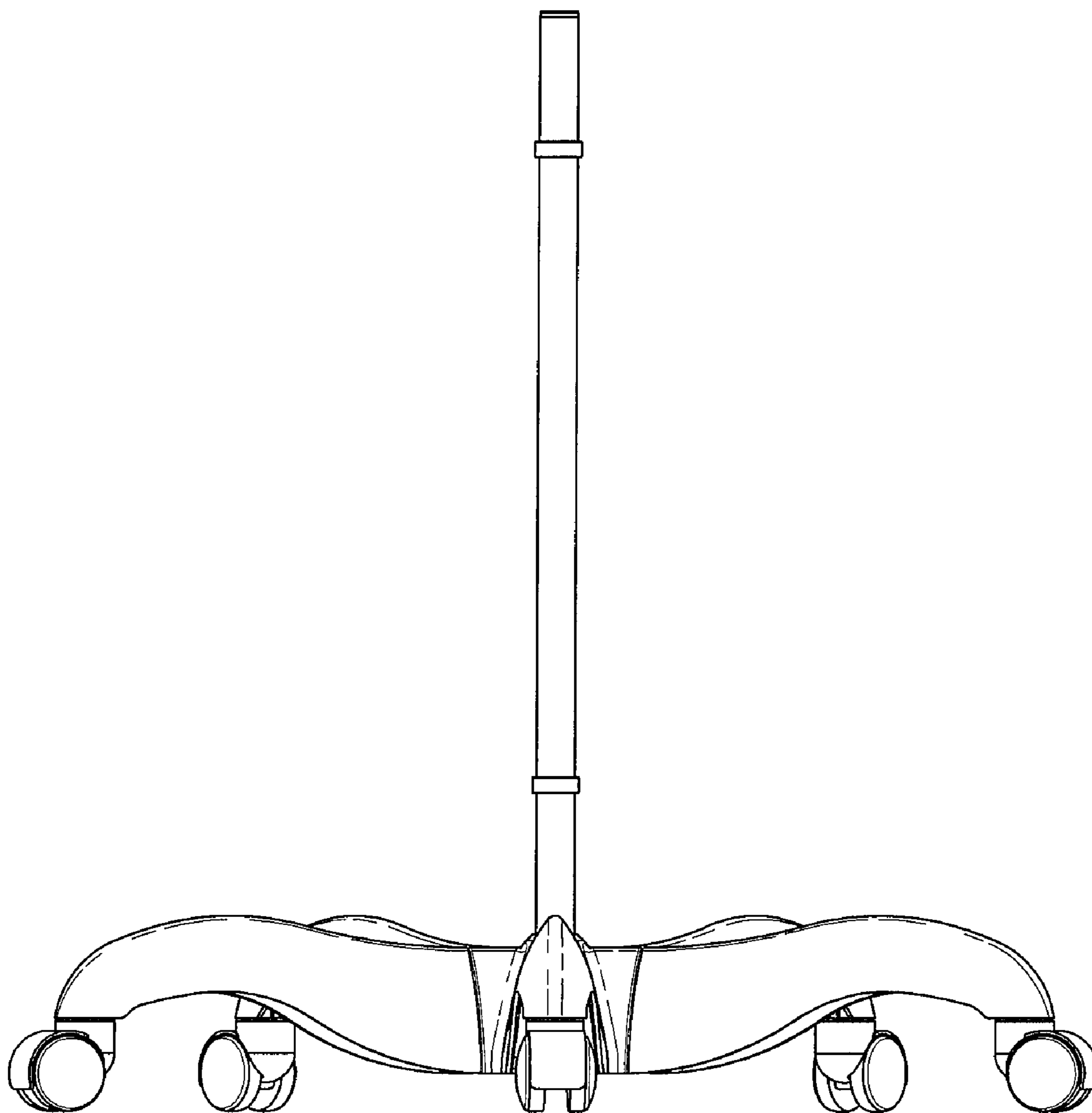


FIG. 2

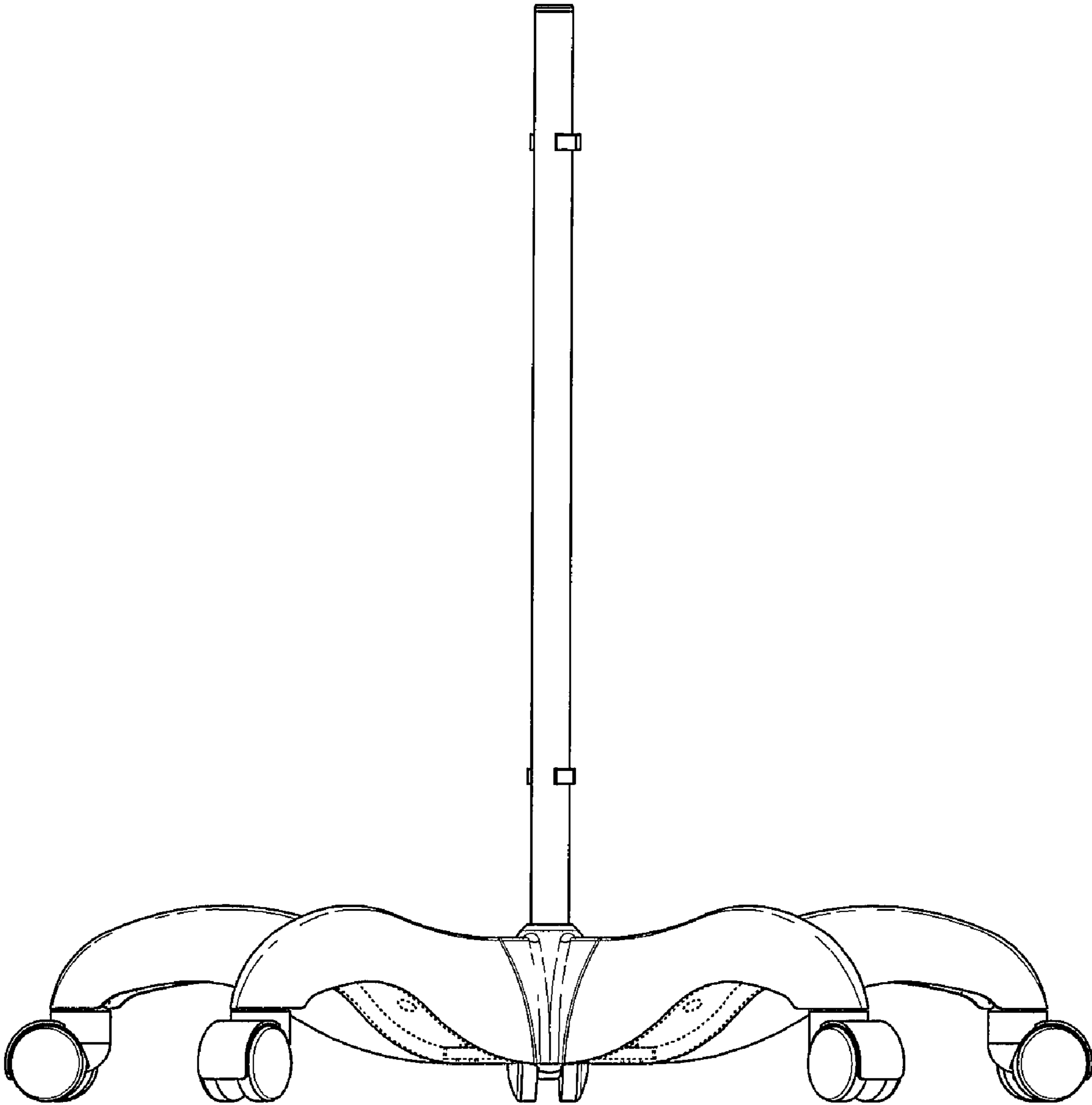


FIG. 3

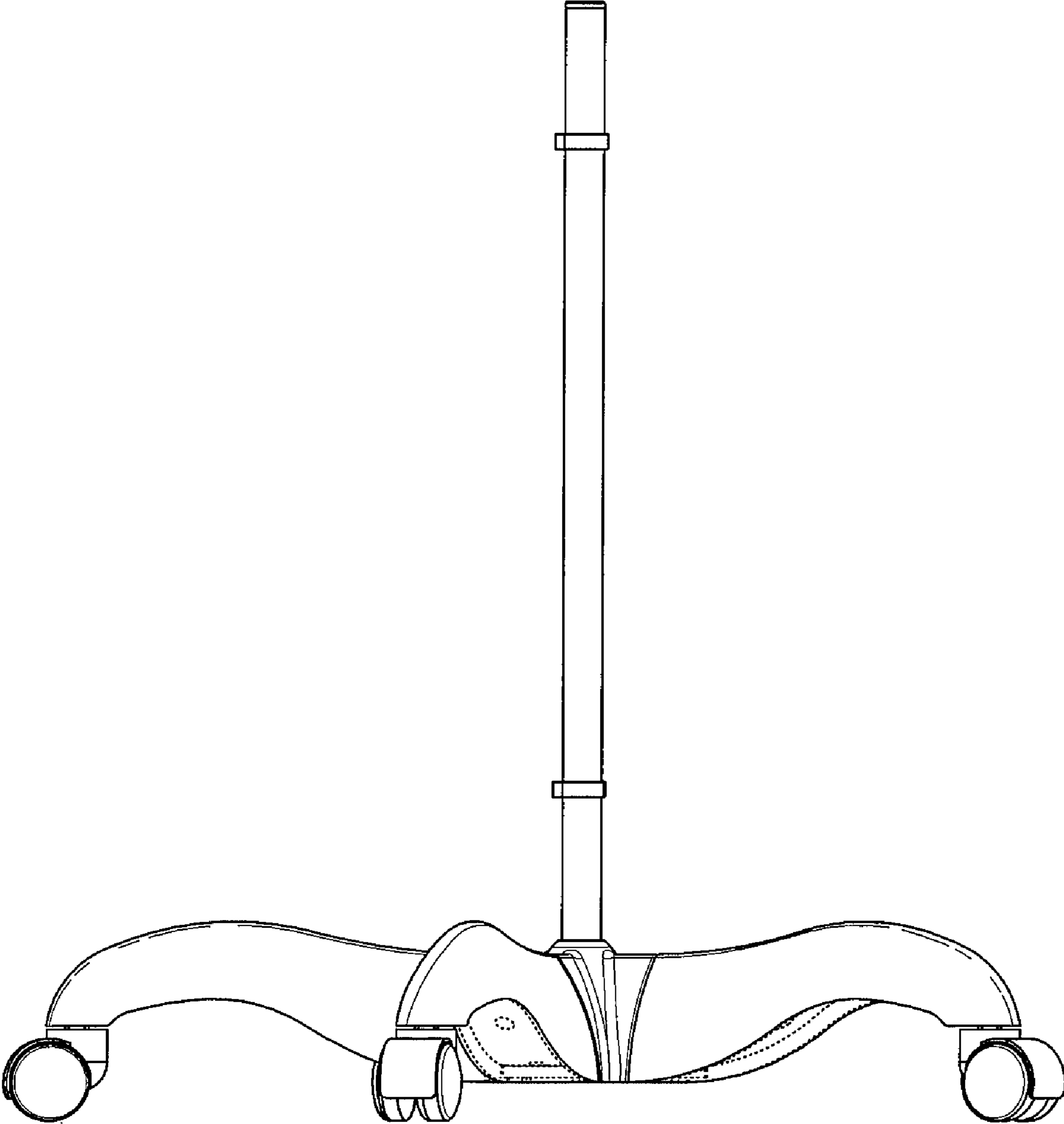


FIG. 4

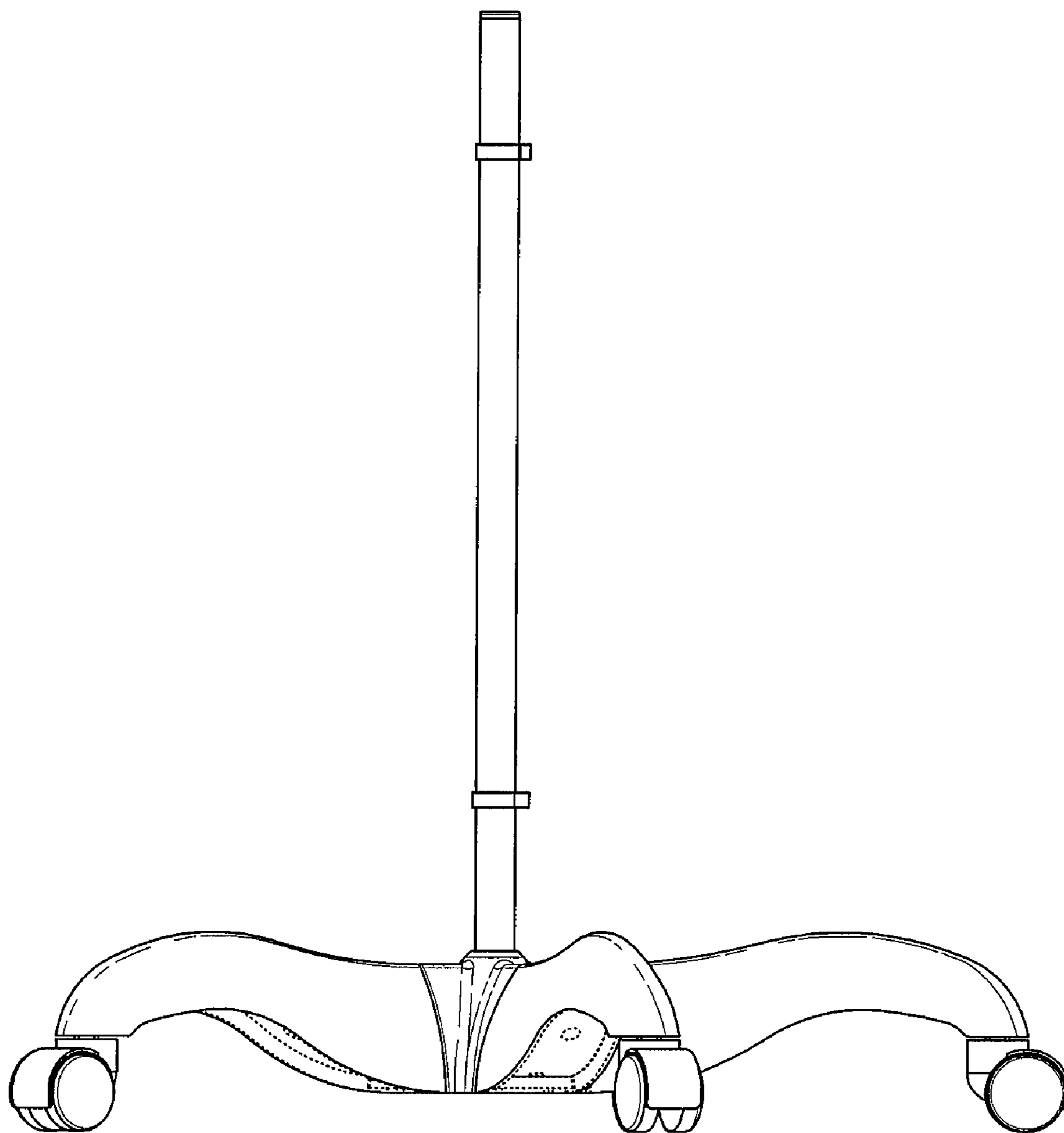


FIG. 5

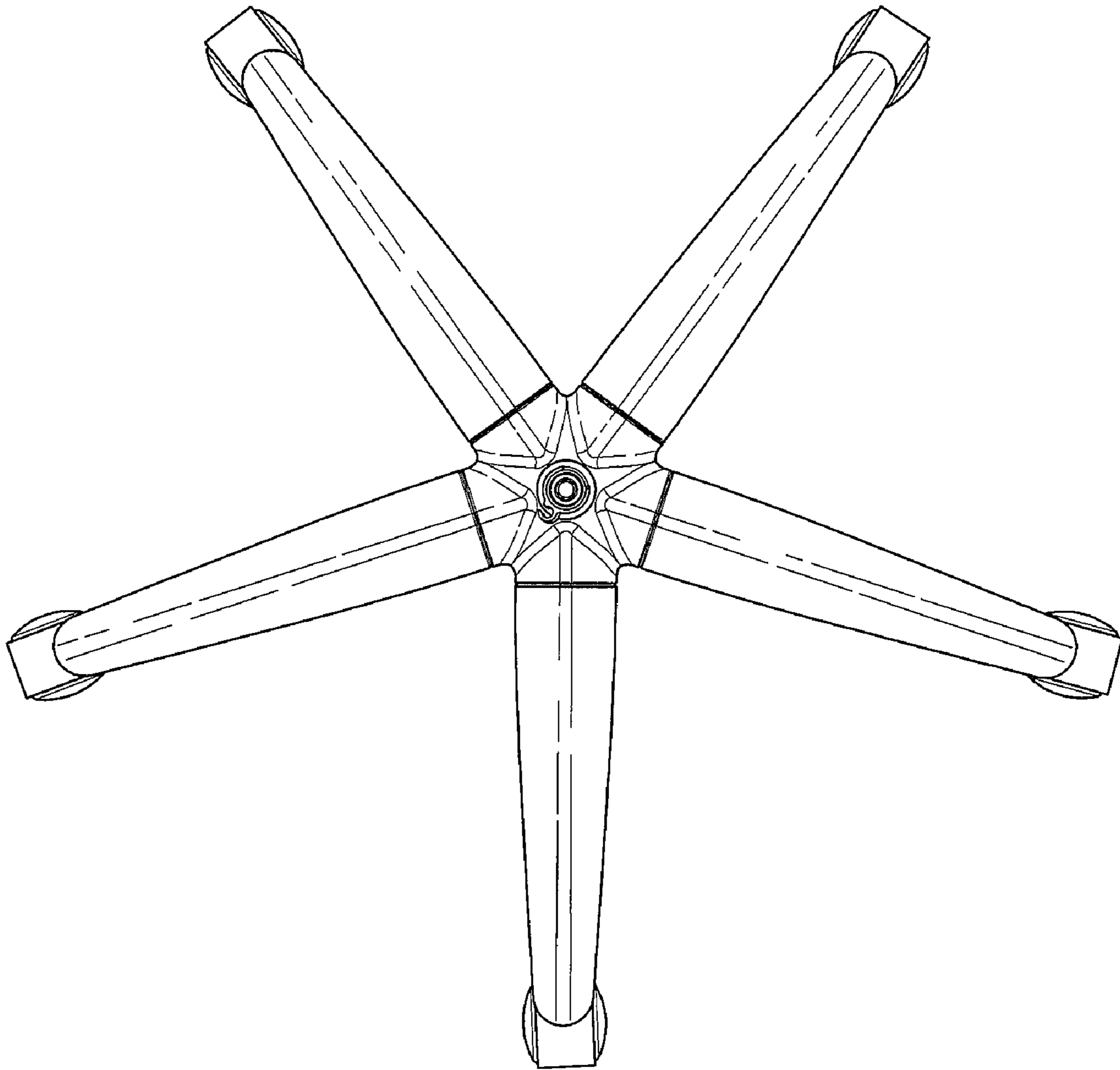


FIG. 6

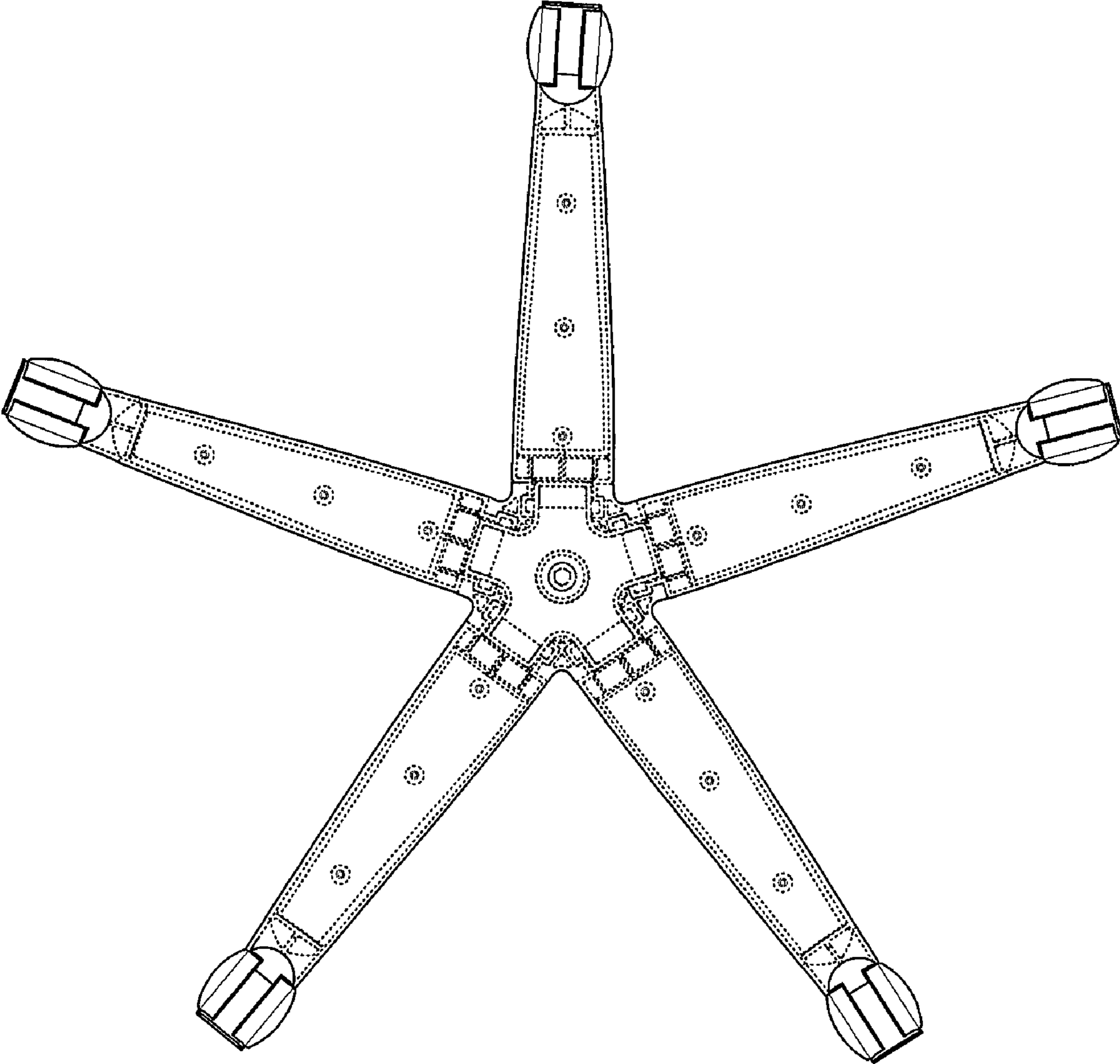


FIG. 7