



US00D608493S

(12) **United States Design Patent**  
**Zaderej et al.**

(10) **Patent No.:** **US D608,493 S**  
(45) **Date of Patent:** **\*\* Jan. 19, 2010**

- (54) **ILLUMINATION DEVICE**
- (75) Inventors: **Victor V. Zaderej**, St. Charles, IL (US);  
**Daniel B. McGowan**, Naperville, IL (US)
- (73) Assignee: **Molex Incorporated**, Lisle, IL (US)
- (\*\*) Term: **14 Years**
- (21) Appl. No.: **29/336,544**
- (22) Filed: **May 5, 2009**
- (51) **LOC (9) Cl.** ..... **26-99**
- (52) **U.S. Cl.** ..... **D26/123**
- (58) **Field of Classification Search** ..... D26/1,  
D26/2, 3, 4, 24, 28, 72, 74, 77, 113, 118,  
D26/119, 120, 121, 122, 123, 124, 128, 129,  
D26/130, 133, 134, 136, 139, 142; D13/179;  
362/330, 218, 217.03, 217.04, 217.05, 290,  
362/291, 294, 296.01, 301, 326, 331, 341,  
362/342, 350

See application file for complete search history.

(56) **References Cited**

**U.S. PATENT DOCUMENTS**

4,021,659	A *	5/1977	Wiley	362/297
4,293,900	A *	10/1981	Dziubaty	362/342
D281,355	S	11/1985	Fraley et al.	
4,937,715	A *	6/1990	O'Shea et al.	362/268
4,945,454	A *	7/1990	Bunse et al.	362/518
D326,160	S *	5/1992	Vrancart et al.	D26/2
D326,537	S *	5/1992	Gattari	D26/74
5,160,199	A *	11/1992	Berti	362/346
D336,963	S	6/1993	Levin et al.	
D337,389	S	7/1993	Levin et al.	
D390,672	S	2/1998	Seid	
D394,121	S *	5/1998	Seid	D26/28
6,036,338	A *	3/2000	Gordin	362/350
D427,335	S	6/2000	Noll	
6,080,464	A *	6/2000	Gampe et al.	428/131
D433,166	S	10/2000	Noll	
D470,613	S *	2/2003	Huang	D26/28
D471,664	S *	3/2003	Huang	D26/123

D474,303	S *	5/2003	Huang	D26/123
6,575,601	B1 *	6/2003	Sitzema et al.	362/340
D485,006	S	1/2004	Huang	
D487,320	S *	3/2004	Huang	D26/28
D495,821	S *	9/2004	Huang	D26/123
D516,229	S	2/2006	Tang	
D527,119	S *	8/2006	Maxik et al.	D26/2
D529,635	S	10/2006	Johnson	
D530,836	S	10/2006	Johnson	
D535,408	S *	1/2007	Tseng	D26/24
D542,943	S	5/2007	Wang	
D544,117	S	6/2007	Coushaine	
D544,618	S	6/2007	Coushaine	
D545,457	S	6/2007	Chen	
D546,980	S	7/2007	Lo	
D547,466	S	7/2007	Lo	

(Continued)

*Primary Examiner*—Cathron C Brooks  
*Assistant Examiner*—Kevin K Rudzinski  
(74) *Attorney, Agent, or Firm*—Banner & Witcoff, Ltd.

(57) **CLAIM**

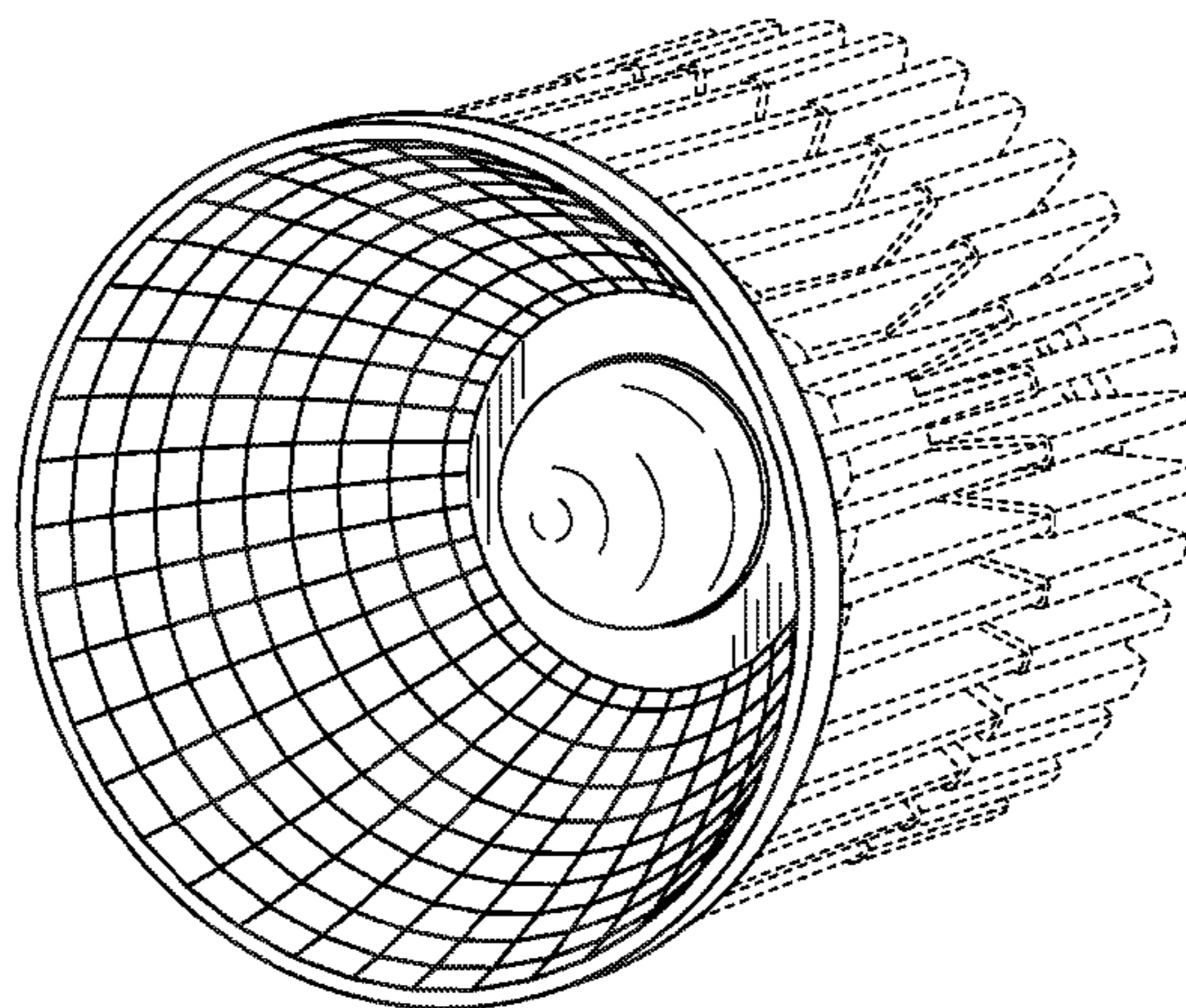
The ornamental design for an illumination device, as shown and described.

**DESCRIPTION**

FIG. 1 is a perspective view of an illumination device showing our new design;  
FIG. 2 is a front view thereof;  
FIG. 3 is a cross sectional view taken through line 3—3 in FIG. 2;  
FIG. 4 is a right side view thereof;  
FIG. 5 is a left side view thereof;  
FIG. 6 is a top view thereof; and,  
FIG. 7 is a bottom view thereof.

The broken line showing of various features of the illumination device in FIGS. 1–7 depicts environmental subject matter only and forms no part of the claimed design.

**1 Claim, 5 Drawing Sheets**



# US D608,493 S

Page 2

---

## U.S. PATENT DOCUMENTS

D551,784 S	9/2007	Krieglmeyer et al.	D582,062 S	12/2008	Van de Poel
D552,277 S	10/2007	Chue	D582,578 S	12/2008	Tsai et al.
D553,274 S	10/2007	Hill et al.	D582,579 S	12/2008	Tsai et al.
D561,917 S	2/2008	Tsao	D586,497 S	2/2009	Wu et al.
D565,212 S	3/2008	Butler	D586,498 S	2/2009	Wu et al.
D566,300 S	4/2008	Lo	D587,383 S	2/2009	Wei
D568,498 S	5/2008	Degenhard et al.	D587,384 S	2/2009	Wei
D571,497 S *	6/2008	Chan et al. .... D26/74	D590,075 S	4/2009	Grajcar
D573,294 S	7/2008	Chan et al.	D590,076 S	4/2009	Grajcar
D581,083 S *	11/2008	Chan et al. .... D26/74	D590,077 S	4/2009	Grajcar
D581,555 S	11/2008	To et al.	D591,894 S	5/2009	Flank
			2007/0297177 A1 *	12/2007	Wang et al. .... 362/294

\* cited by examiner

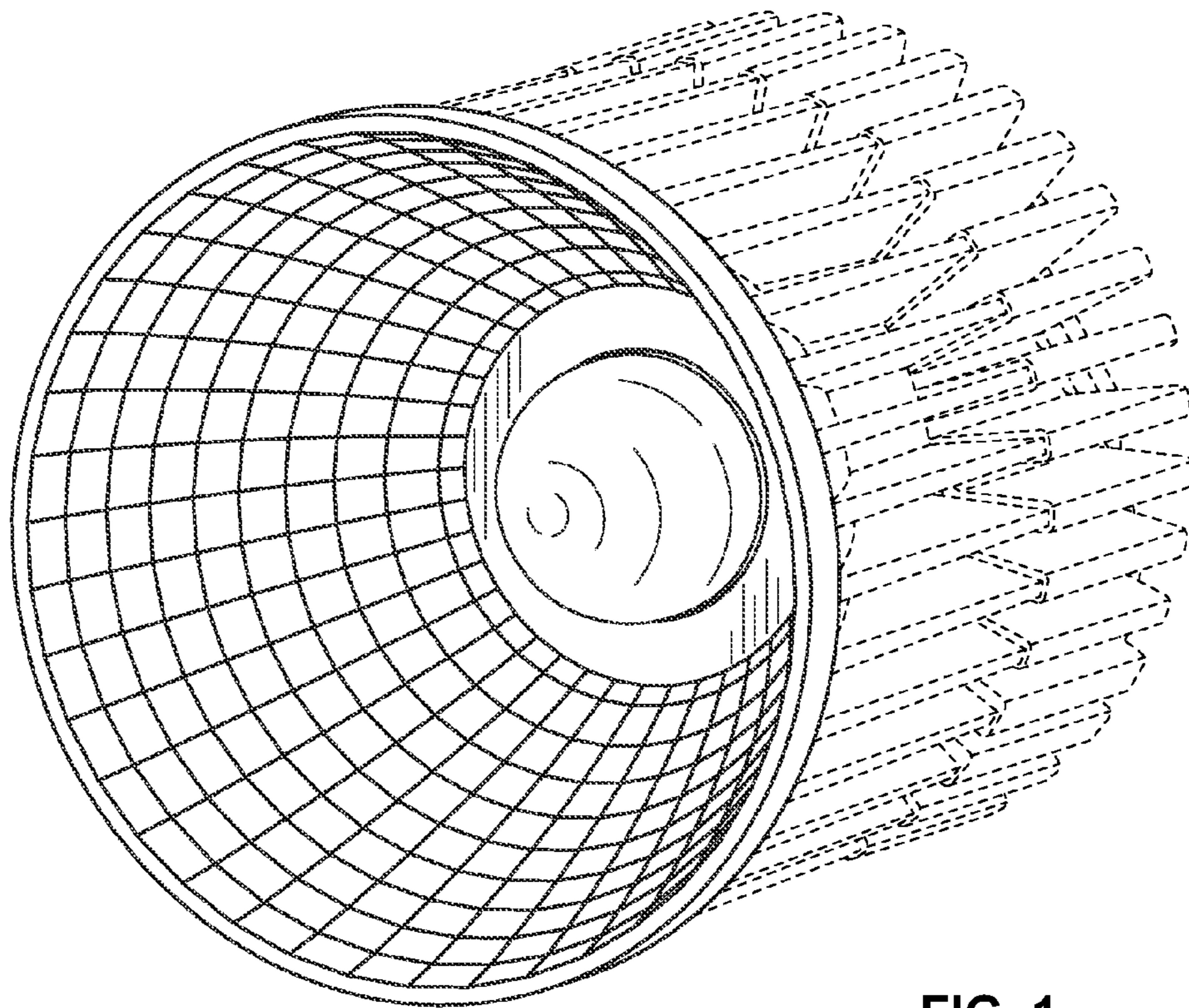


FIG. 1

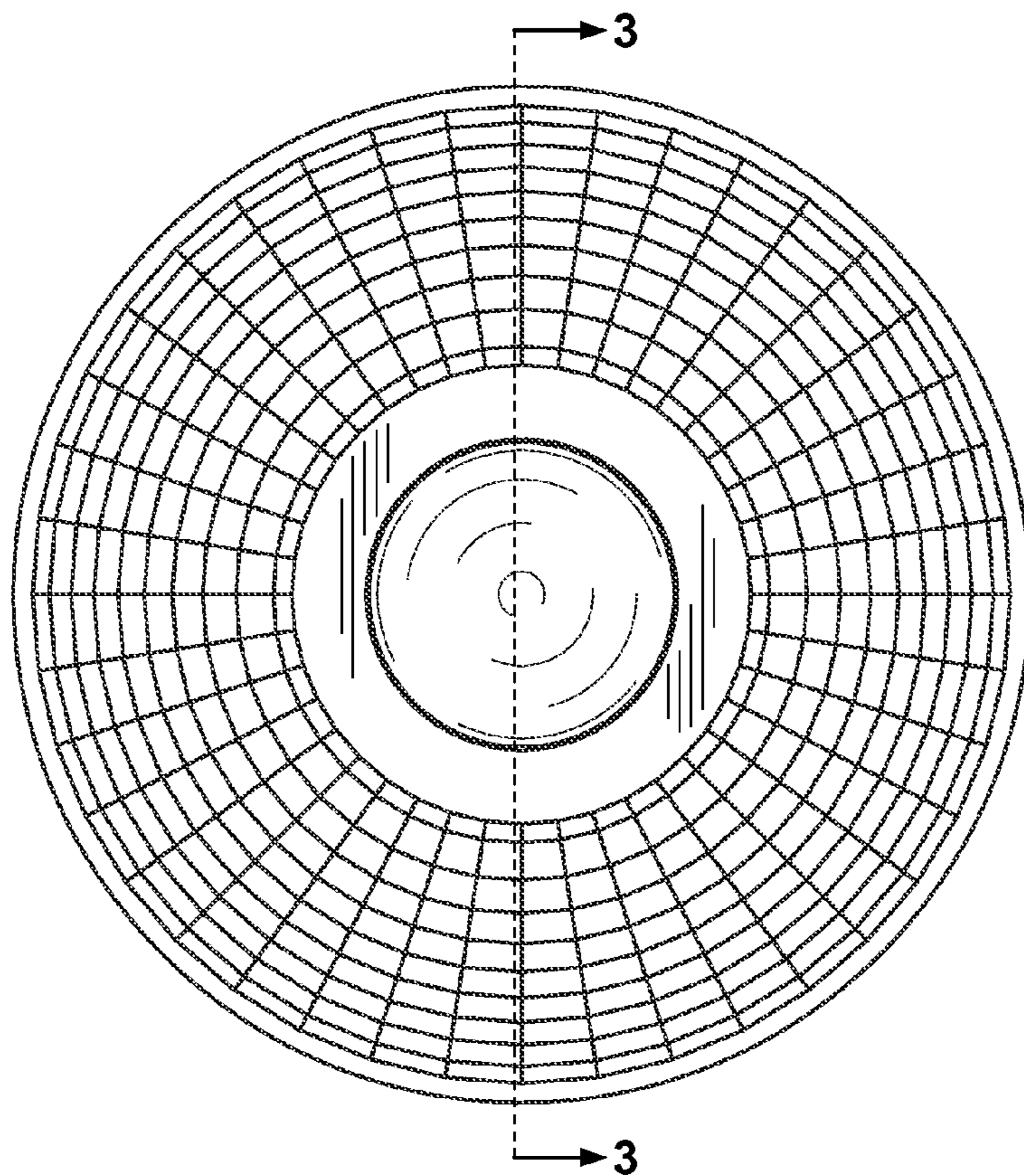


FIG. 2

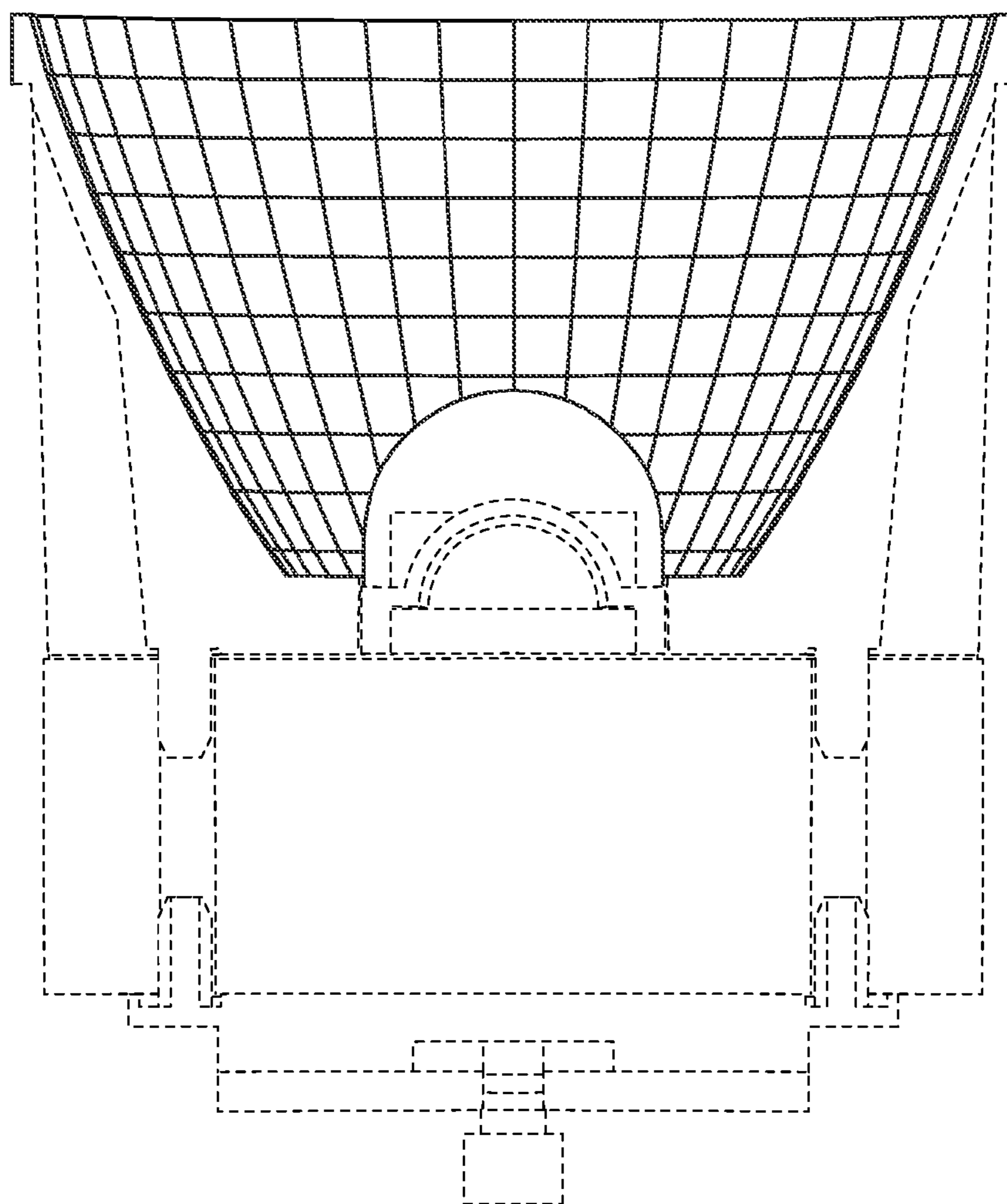


FIG. 3

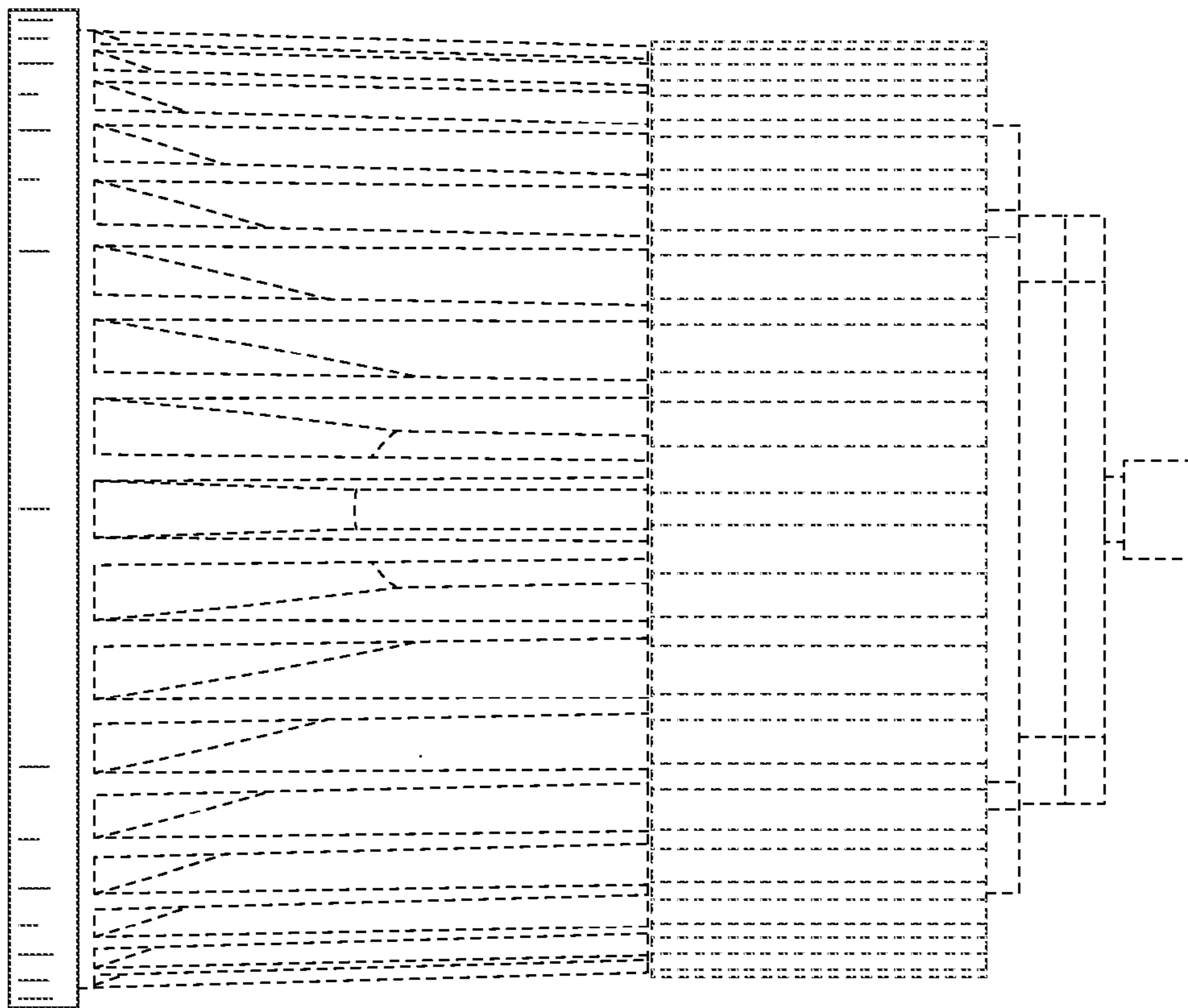


FIG. 4

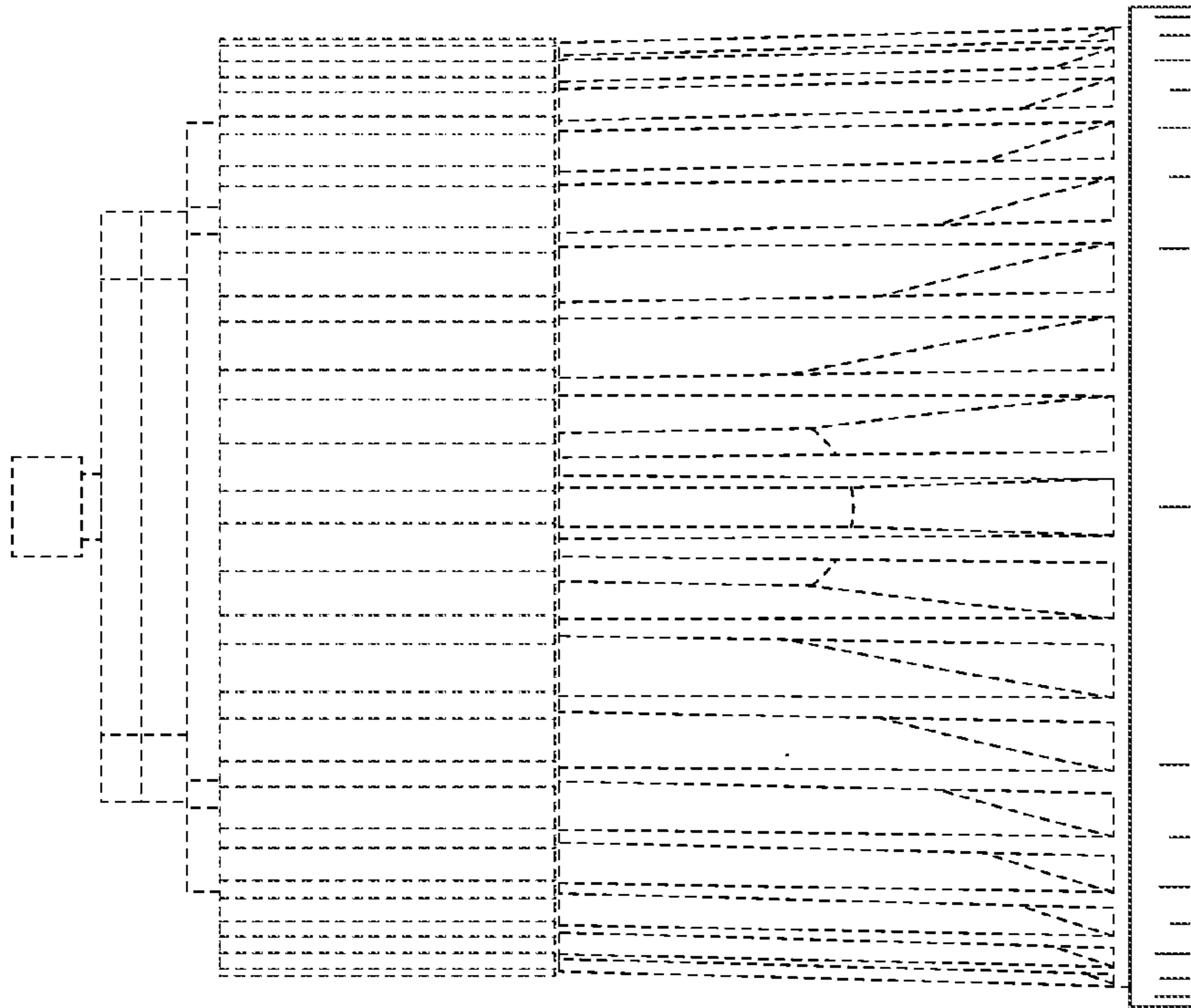


FIG. 5

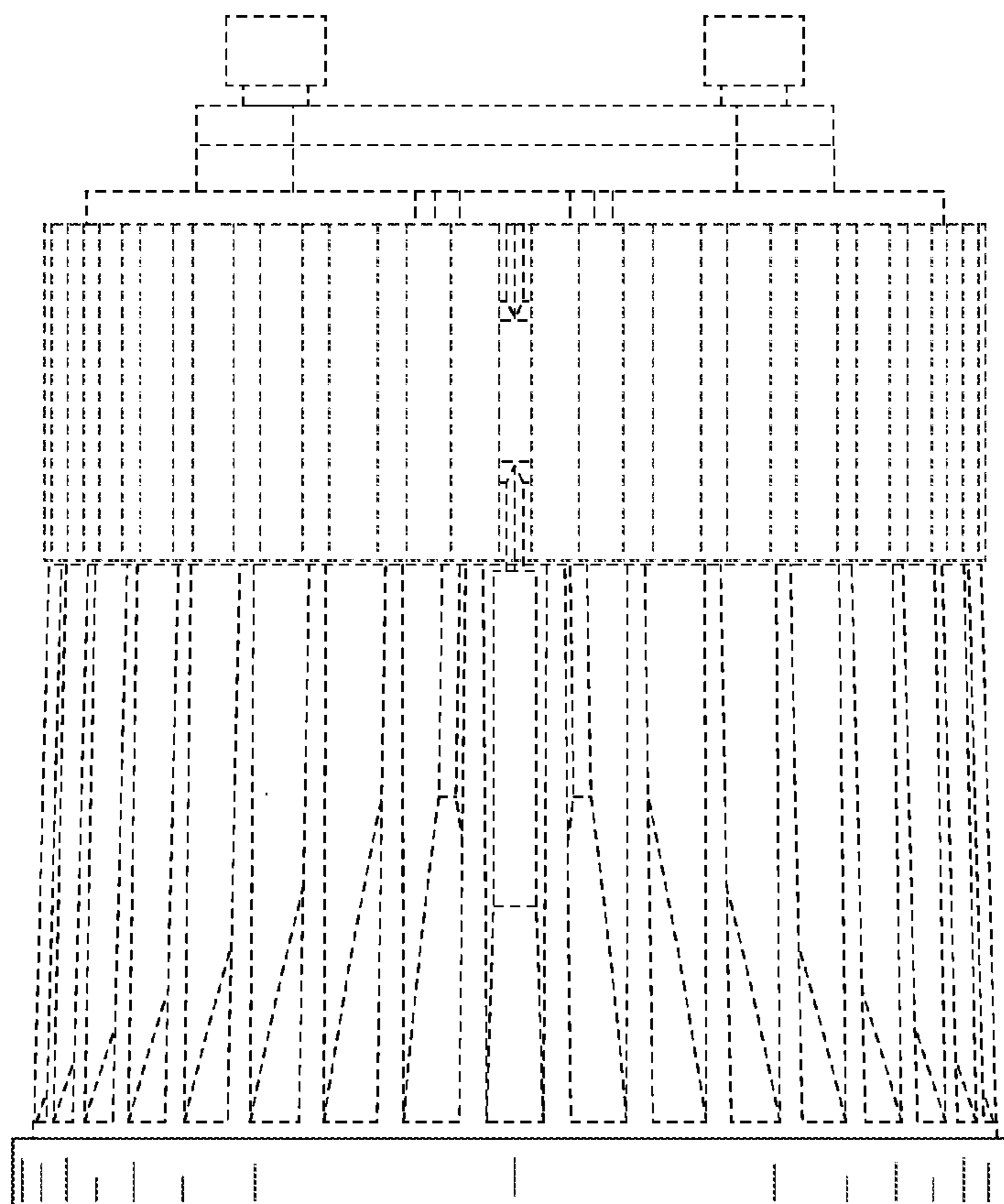


FIG. 6

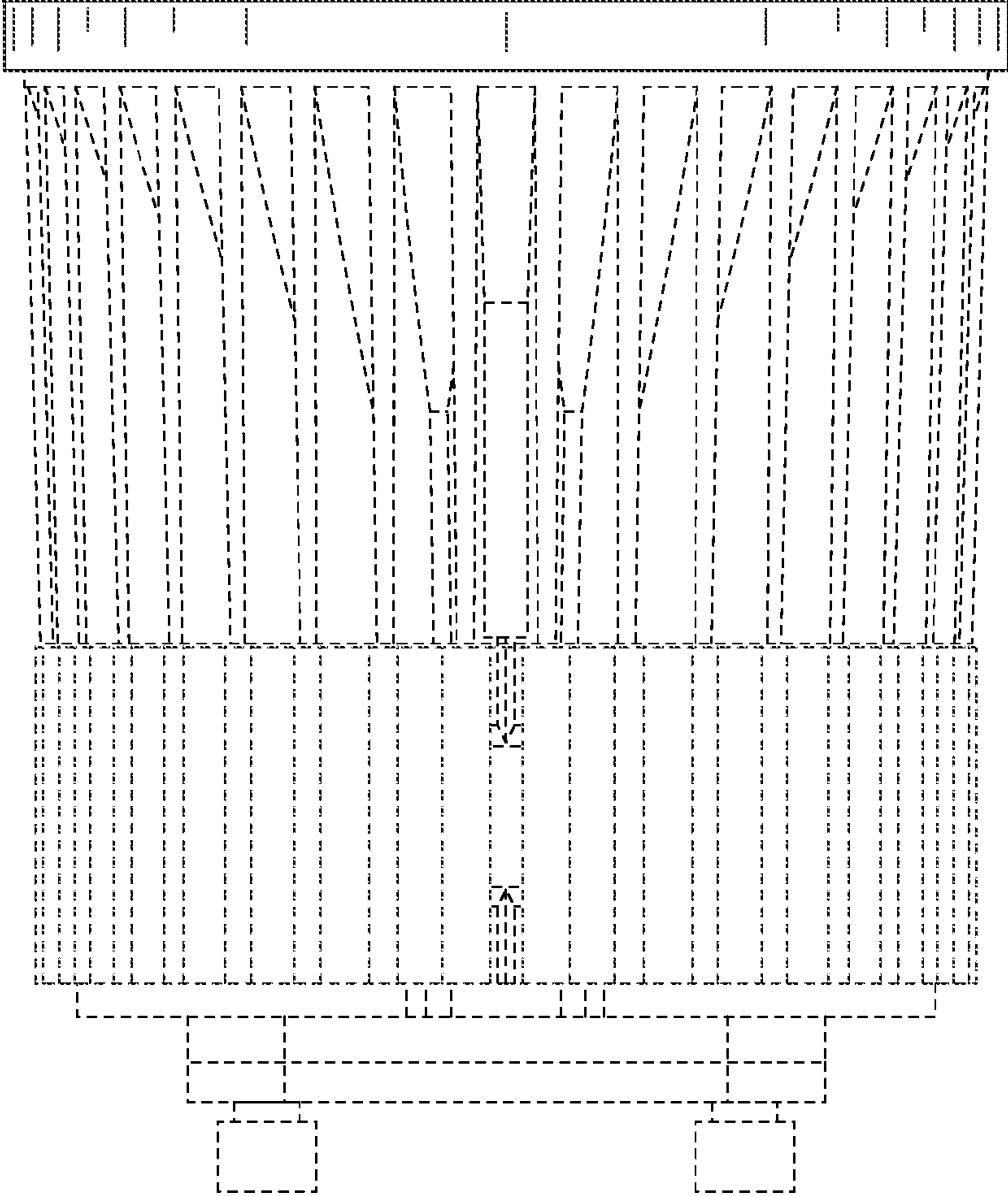


FIG. 7